

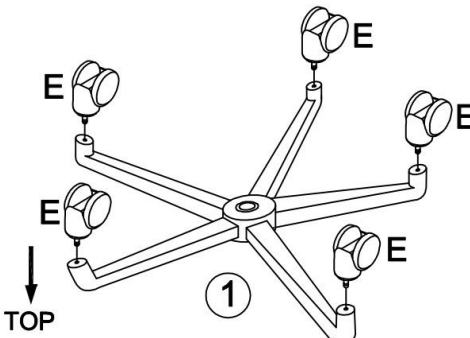
ASSEMBLY INSTRUCTION

Remove all items from the carton. Verify all pieces before assembly

PART	QTY		PART	QTY		PART	QTY	
1	1	Star Base	5	1	Back Support+Arm(pre-assembled)	D	1	Allen Wrench
2	1	Cylinder Column	A	4	Allen Bolt 6 x 25 x10 mm	E	5	Caster
3	1	Seat+Mechanism(pre-assembled)	B	4	Allen Bolt 8 x 35 x 12 mm	F	2	Cap Cover (Upper)
4	1	Back Frame	C	4	Washer	G	2	Cap Cover(Lower)

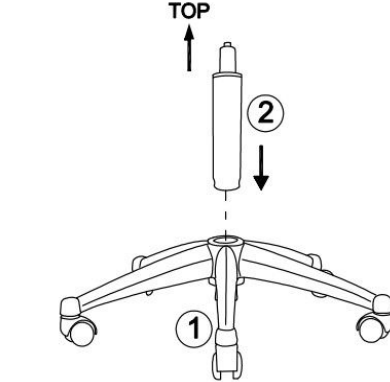
NOTE:The discarded packaging for the unit can be used as a helpful way to support it during the assembly process.

STEP 1.

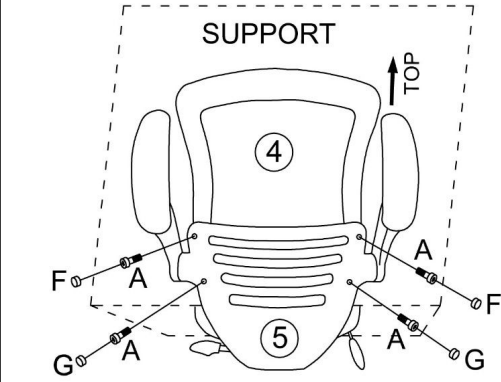


(UNDERSIDE)

STEP 2.

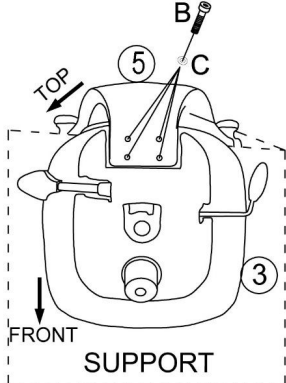


STEP 3.



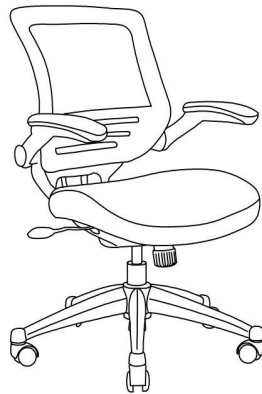
BACK OF CHAIR

STEP 4.

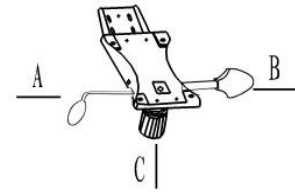


UNDERSIDE OF CHAIR

NOTICE:
ATTACH BACK SUPPORT TO SEAT,
AND FULLY TIGHTEN ALL SCREWS.



AS WITH ALL MOVABLE MECANICAL DEVICES; IT IS ADVISED TO PERIODICALLY CHECK TO MAKE SURE ALL BOLTS, SCREWS AND KNOBS ARE FULLY TIGHTENED TO ENSURE STABILITY.



MECHANISM OPERATION INSTRUCTION
WHILE SEATED:
(A) SEAT HEIGHT ADJUSTMENT:
Pull lever up. Release lever when desired position is reached
(B) BACK TILT ADJUSTMENT:
Push lever up to release; pull lever down to lock.
(C) TILT TENSION ADJUSTMENT KNOB:
Rotate knob clockwise/counterclockwise to adjust tilt tension based on body weight.

PREVENTIVE MAINTENANCE AND WARNING!

- USE THIS PRODUCT ONLY FOR SEATING ONE PERSON AT A TIME.
- DO NOT USE THIS CHAIR AS A STEP STOOL/LADDER.
- DO NOT SIT ON ANY PART OF THE CHAIR EXCEPT THE SEAT.
- DO NOT USE CHAIR UNLESS ALL BOLTS, SCREWS AND KNOBS ARE TIGHT.
- IT'S ADVISED TO PERIODICALLY CHECK ALL BOLTS, SCREWS AND KNOBS TO BE SURE THEY ARE TIGHT.
- IF ANY PARTS ARE MISSING, BROKEN, DAMAGED OR WORN, STOP USE OF THE PRODUCT UNTIL REPAIRS ARE MADE USING FACTORY AUTHORIZED PARTS.
- **WARNING:** TO AVOID DANGER OF SUFFOCATION, KEEP THIS PLASTIC BAG AWAY FROM BABIES & CHILDREN. DO NOT USE THIS BAG IN CRIBS, BEDS, CARRIAGES, PLAY PENS OR AS HEAD COVERING.
- FAILURE TO FOLLOW THESE WARNINGS COULD RESULT IN SERIOUS INJURY.

Edge office chair -EEI-596/EEI-597 KEEP THIS PAGE FOR FUTURE REFERENCE.