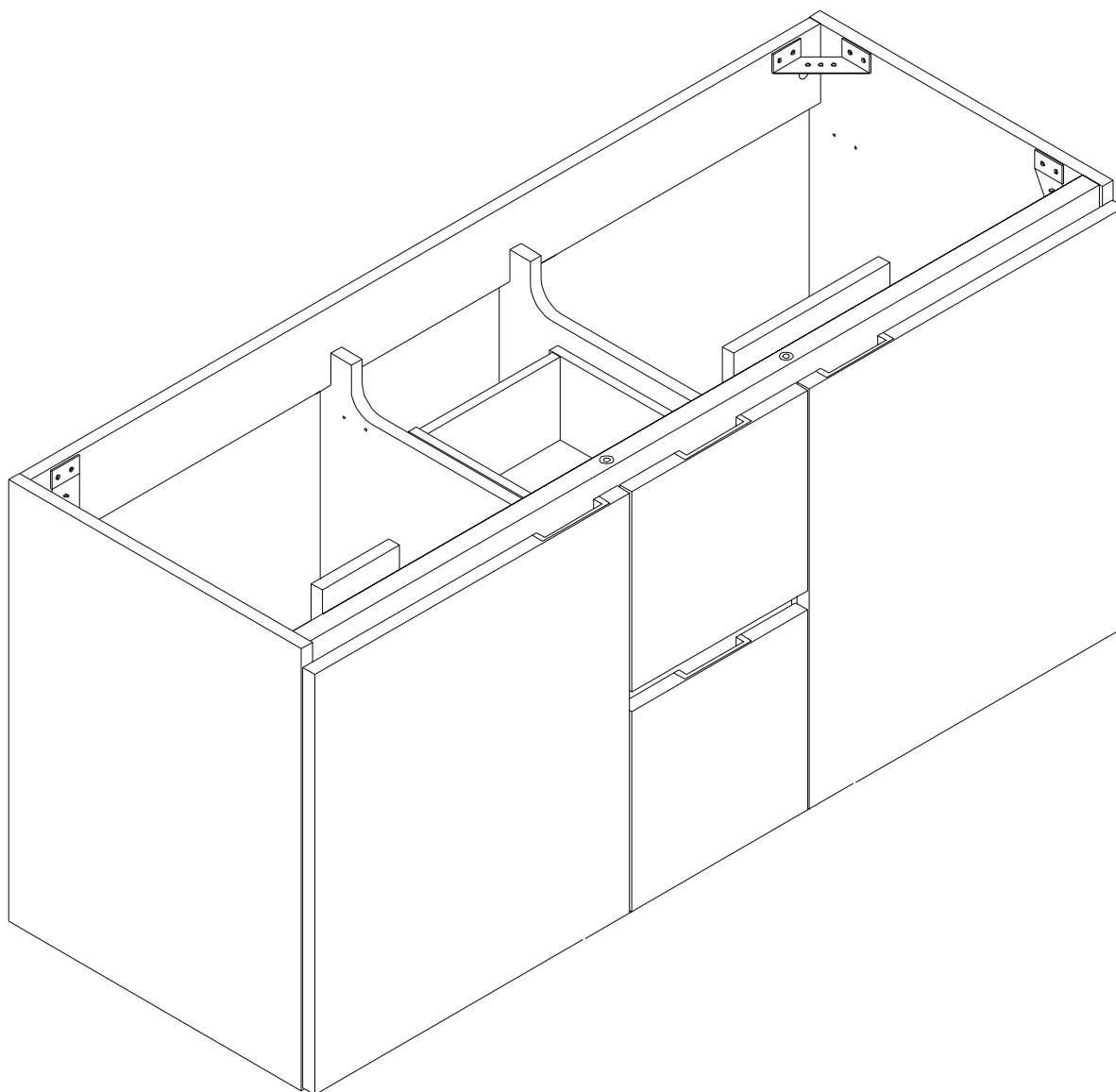


ASSEMBLY INSTRUCTIONS

EEI-5883

V1.01.24.22



Questions? Contact us!

609.256.9000 • cs@modway.com
www.modway.com

***modway**

Let's get started!

*modway



Read through all of the instructions before starting



Care instructions are listed in the last step of this manual



Approx. 120 minutes assembly time



Make sure you have all parts and components before discarding any packing materials



2 people recommended for assembly

Only use hand tools to assemble this item. Do not use power tools. Do not tighten bolts or screws completely until all hardware is lined up and inserted into the holes.

Do not over-tighten screws and bolts to avoid stripping the hardware or cracking the item.

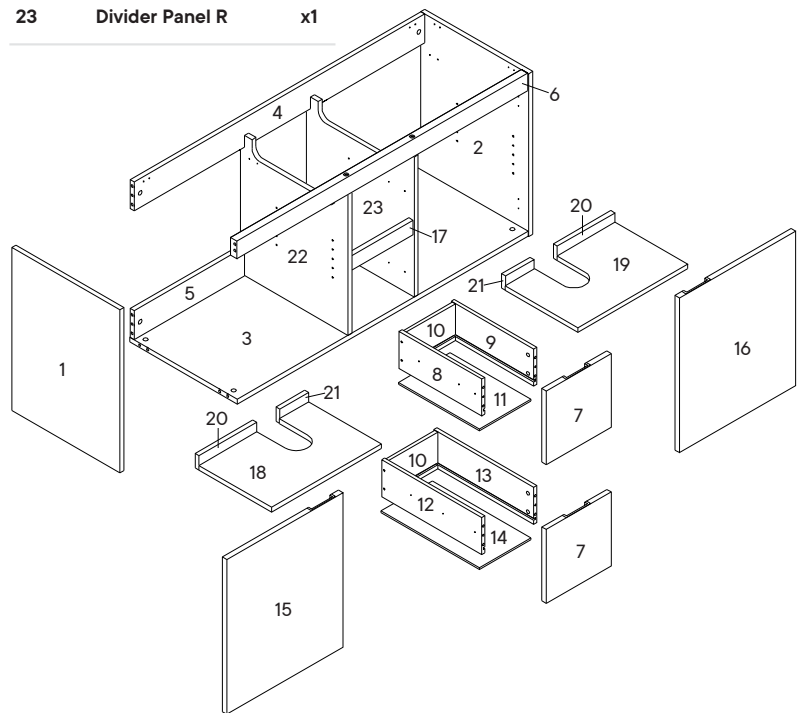
For vanity and plumbing installation, we suggest hiring a professional contractor and plumber.

Assemble your item on a flat, carpeted area, with plenty of space to work. This will prevent damage and scratches to your floors or the item while you're assembling the product.

Keep all components and packaging out of reach of children or animals to avoid risk of choking or suffocation.

Furniture components:

1	Left Side Panel	x1	12	Drawer Side L 2	x1
2	Right Side Panel	x1	13	Drawer Side R 2	x1
3	Bottom Panel	x1	14	Drawer Panel 2	x1
4	Back Panel 1	x1	15	Door Panel Left	x1
5	Back Panel 2	x1	16	Door Panel Right	x1
6	Front Rail 1	x1	17	Front Rail 2	x1
7	Drawer Front	x2	18	Shelf Panel 1	x1
8	Drawer Side L 1	x1	19	Shelf Panel 2	x1
9	Drawer Side R 1	x1	20	Base Panel 1	x2
10	Drawer Back	x2	21	Base Panel 2	x2
11	Drawer Panel 1	x1	22	Divider Panel L	x1
			23	Divider Panel R	x1



Provided hardware:

A		Wood Dowel M8 x 25mm	x16	I		Screw 4 x 12mm	x24	Q		Screw 6 x 70mm	x2
B		Cam Bolt Ø6 x 24mm	x20	J		Cam Lock Ø12	x8	R		Barrel Nut	x2
C		Cam Lock Ø15	x12	K		Wood Dowel M6 x 25mm	x4	S		Hex Wrench	x1
D		Bracket/L-Hanger	x2	L		Screw 9 x 38mm	x26	T		Rubber Pad	x8
E		Bracket/R-Hanger	x2	M		Screw 4 x 14mm	x40				
F		Screw 4 x 28mm	x8	N		Corner Bracket	x4				
G		Bearing Runner 350mm	x1 Pair	O		Shelf Support	x8				
H		Bearing Runner 300mm	x1 Pair	P		Door Hinge	x4				

What you need:

Phillips Head Screwdriver

You may also need:

- + Power Drill
- + Level
- + Silicone Adhesive or Caulk
- + Drywall Anchors and Screws
- + Other Wall-Mounting Hardware

Wait!

Missing parts or hardware? Need assistance?
Contact us before returning your item. We're here to help!
609.256.9000 • cs@modway.com

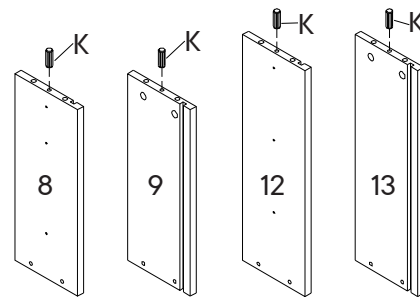
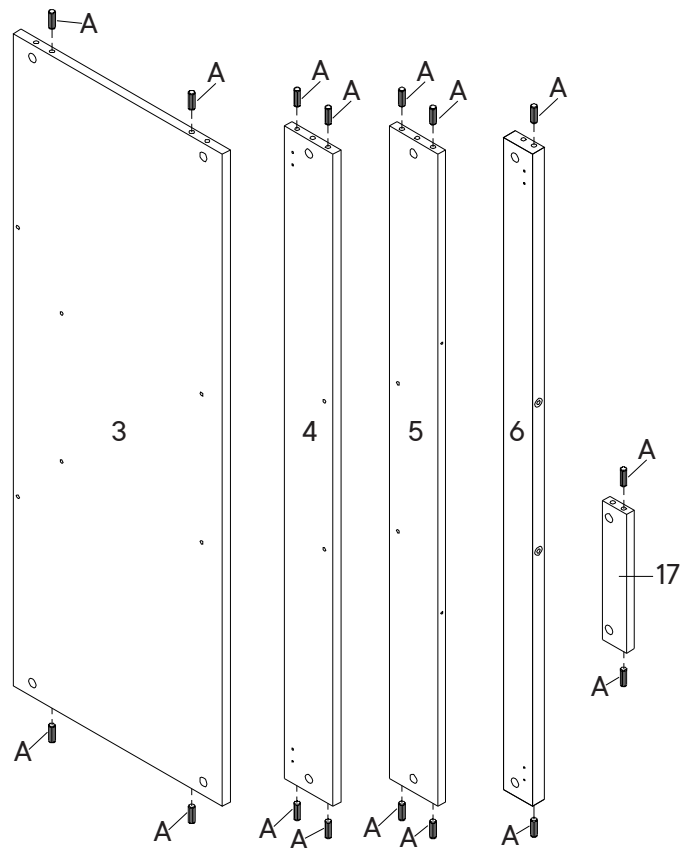
Step 1

HARDWARE

- A** Wood Dowel M8 x 25mm x16
- K** Wood Dowel M6 x 25mm x4

COMPONENTS

- 3** Bottom Panel x1
- 4** Back Panel 1 x1
- 5** Back Panel 2 x1
- 6** Front Rail 1 x1
- 8** Drawer Side L 1 x1
- 9** Drawer Side R 1 x1
- 12** Drawer Side L 2 x1
- 13** Drawer Side R 2 x1
- 17** Front Rail 2 x1



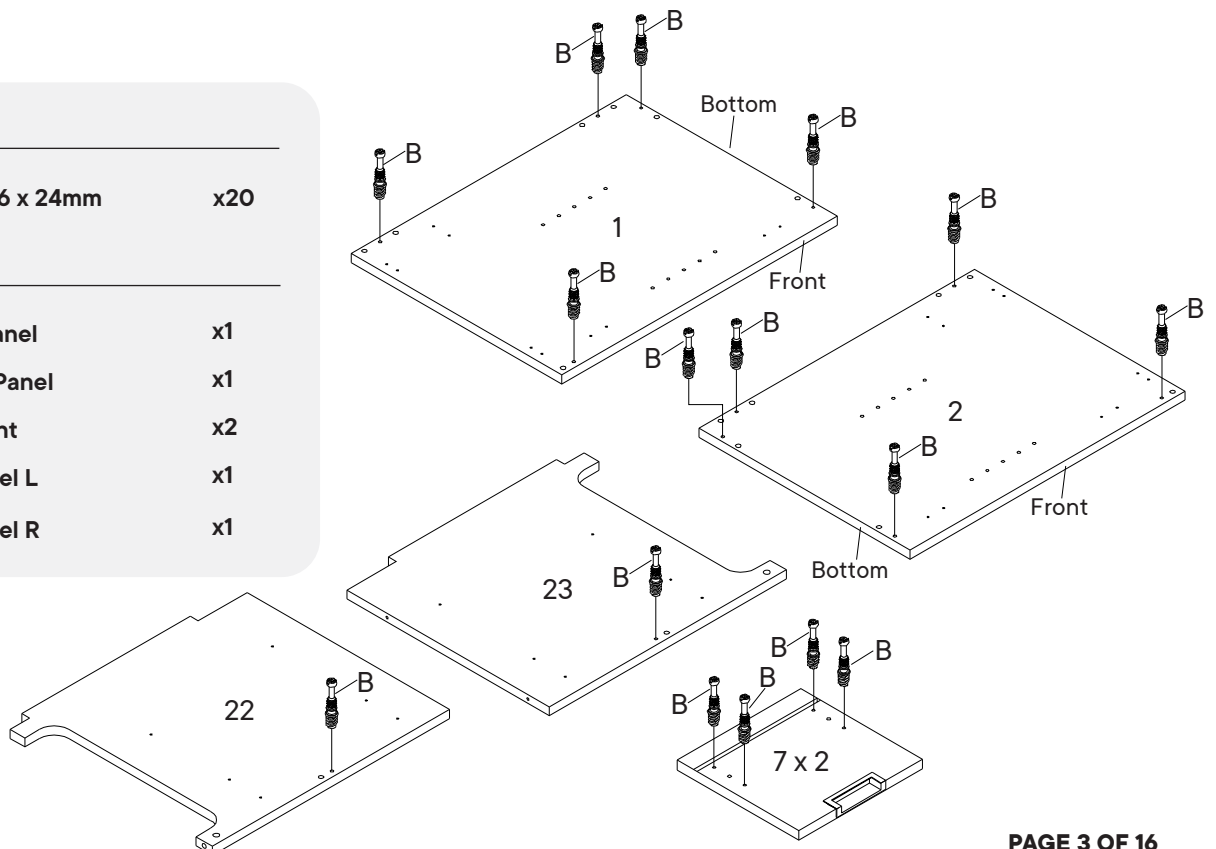
Step 2

HARDWARE

- B** Cam Bolt $\varnothing 6 \times 24\text{mm}$ x20

COMPONENTS

- 1** Left Side Panel x1
- 2** Right Side Panel x1
- 7** Drawer Front x2
- 22** Divider Panel L x1
- 23** Divider Panel R x1



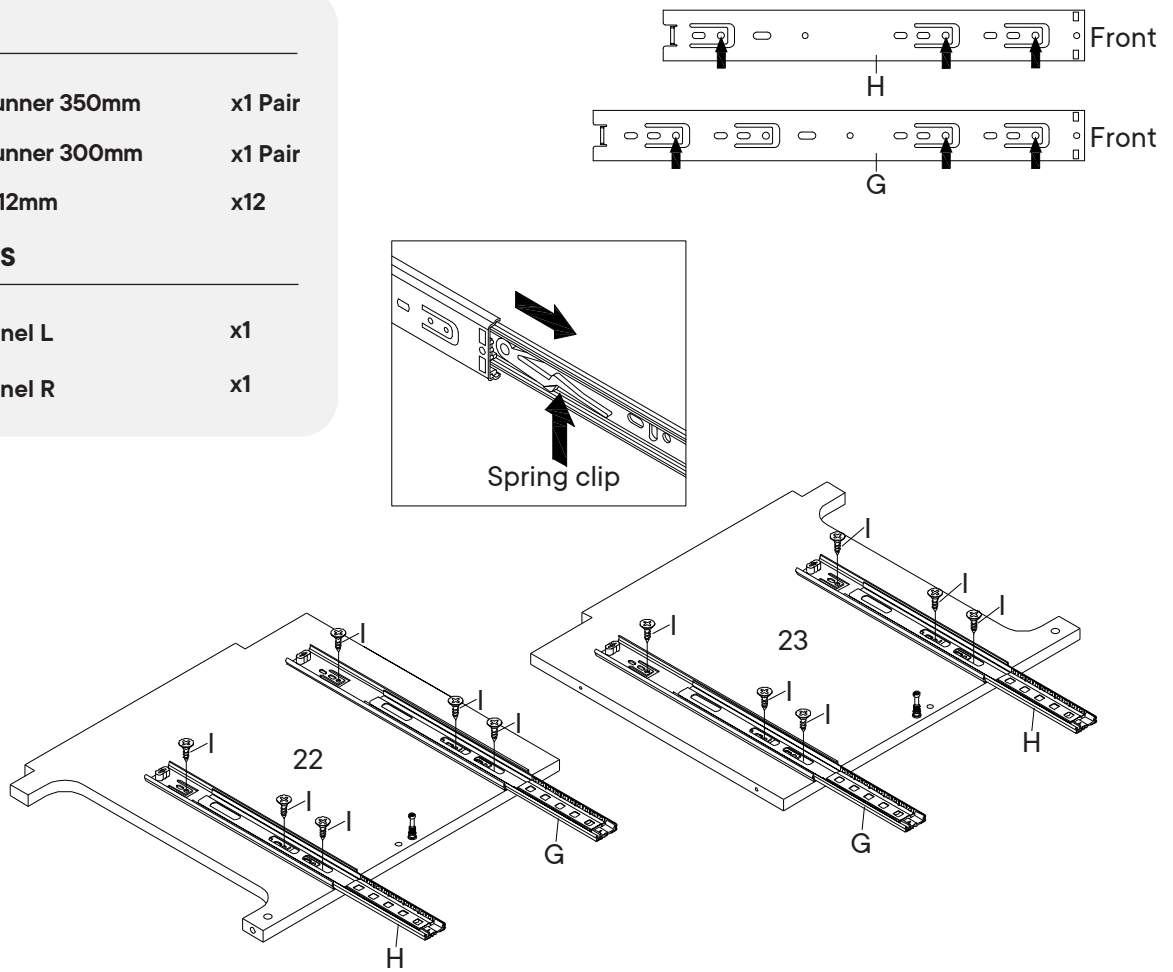
Step 3

HARDWARE

- G** Bearing Runner 350mm x1 Pair
- H** Bearing Runner 300mm x1 Pair
- I** Screw 4 x 12mm x12

COMPONENTS

- 22** Divider Panel L x1
- 23** Divider Panel R x1



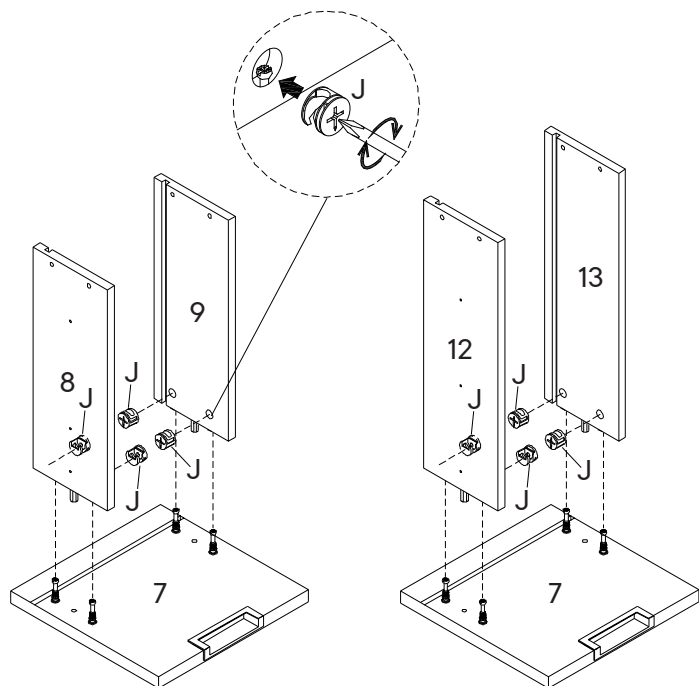
Step 4

HARDWARE

- J** Cam Lock Ø12 x8

COMPONENTS

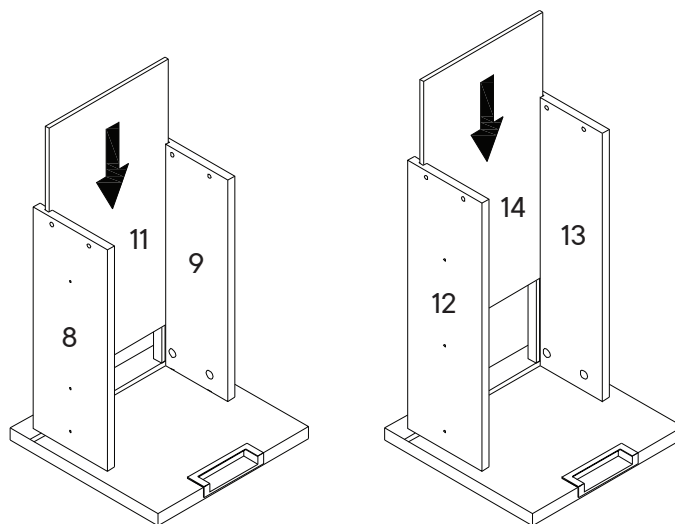
- 7** Drawer Front x2
- 8** Drawer Side L 1 x1
- 9** Drawer Side R 1 x1
- 12** Drawer Side L 2 x1
- 13** Drawer Side R 2 x1



Step 5

COMPONENTS

- 11 Drawer Panel 1 x1
- 14 Drawer Panel 2 x1



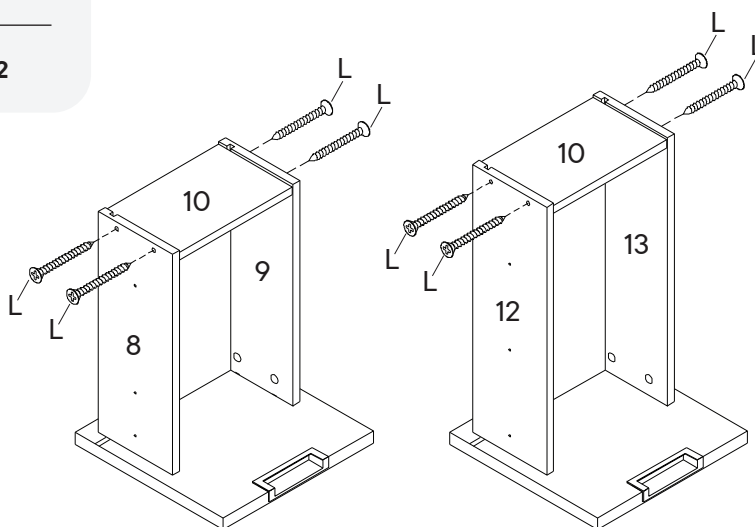
Step 6

HARDWARE

- L Screw 9 x 38mm x8

COMPONENTS

- 10 Drawer Back x2



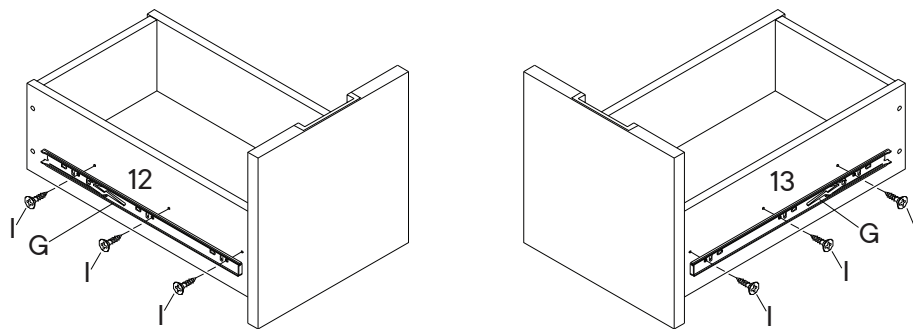
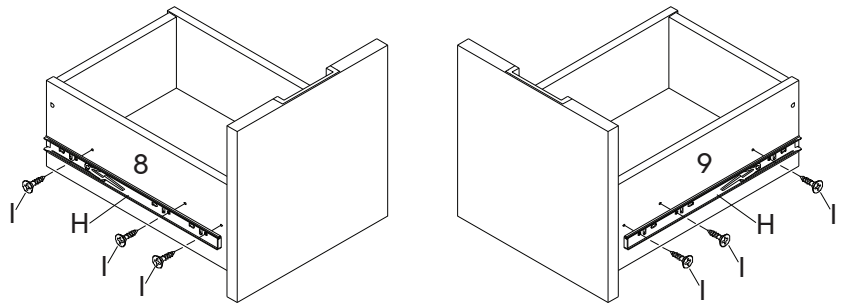
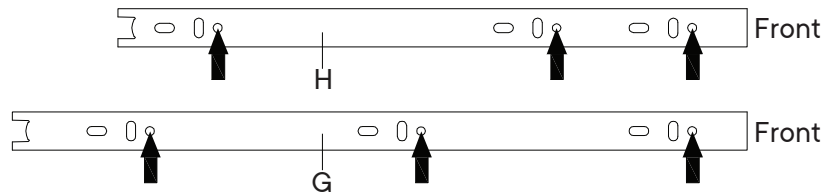
Step 7

HARDWARE

G	Bearing Runner 350mm	x1 Pair
H	Bearing Runner 300mm	x1 Pair
I	Screw 4 x 12mm	x12

COMPONENTS

8	Drawer Side L 1	x1
9	Drawer Side R 1	x1
12	Drawer Side L 2	x1
13	Drawer Side R 2	x1



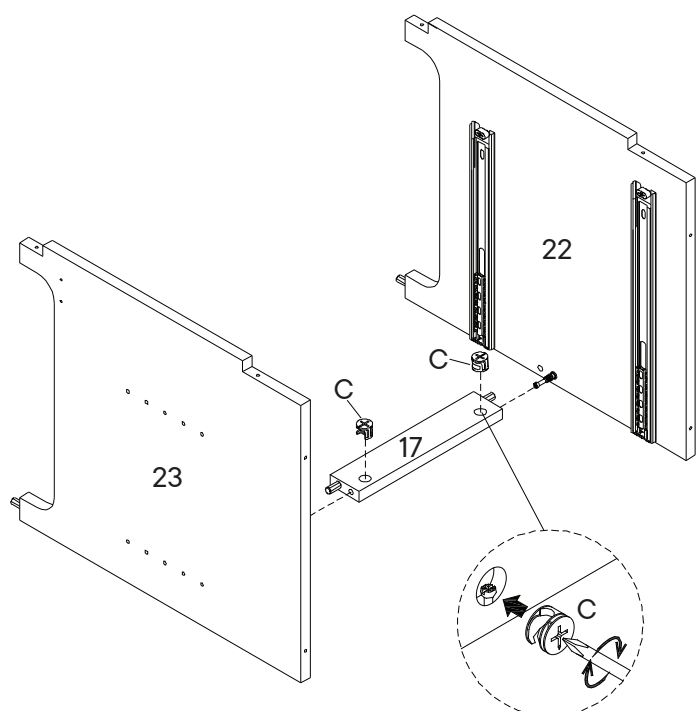
Step 8

HARDWARE

C	Cam Lock Ø15	x2
----------	--------------	----

COMPONENTS

17	Front Rail 2	x1
22	Divider Panel L	x1
23	Divider Panel R	x1



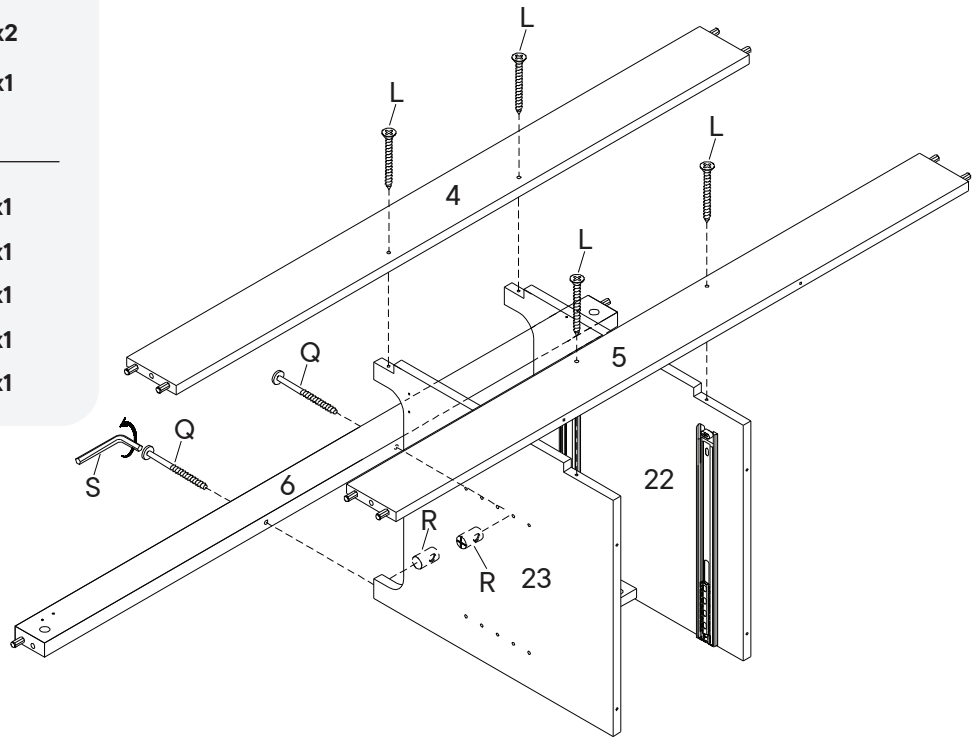
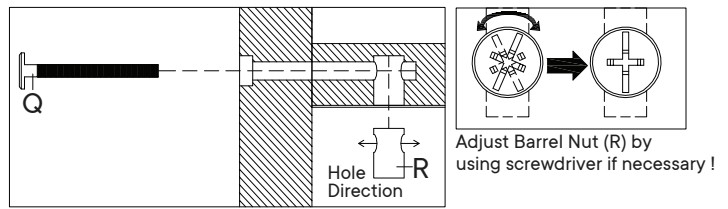
Step 9

HARDWARE

- L** Screw 9 x 38mm x4
- Q** Screw 6 x 70mm x2
- R** Barrel Nut x2
- S** Hex Wrench x1

COMPONENTS

- 4** Back Panel 1 x1
- 5** Back Panel 2 x1
- 6** Front Rail 1 x1
- 22** Divider Panel L x1
- 23** Divider Panel R x1



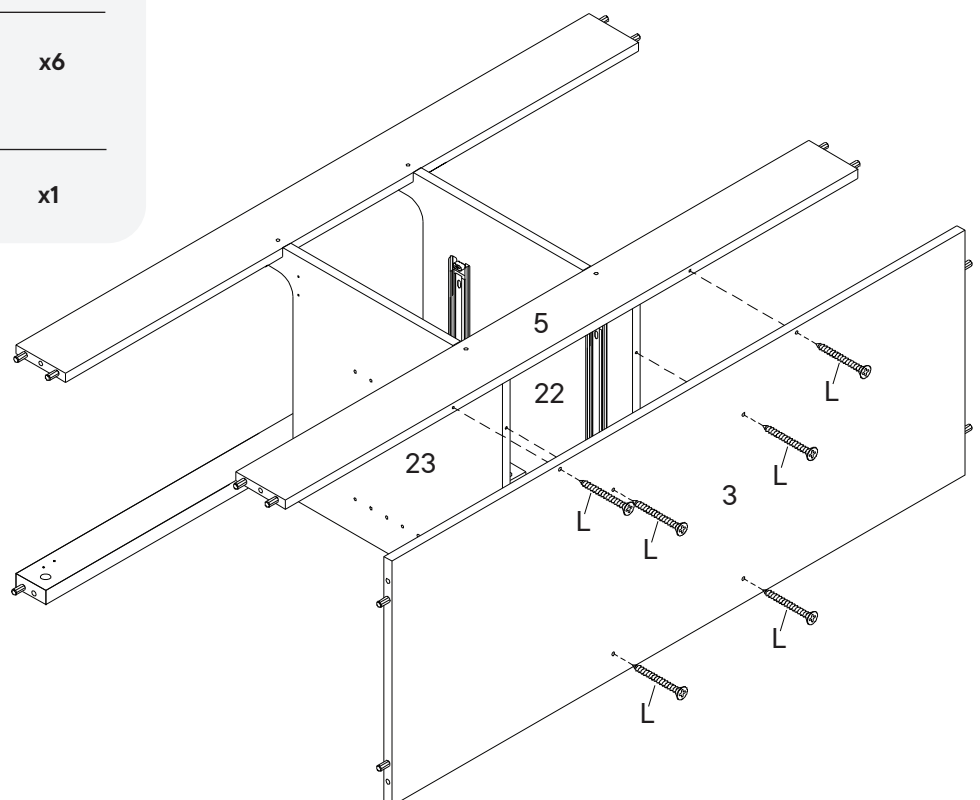
Step 10

HARDWARE

- L** Screw 9 x 38mm x6

COMPONENTS

- 3** Bottom Panel x1



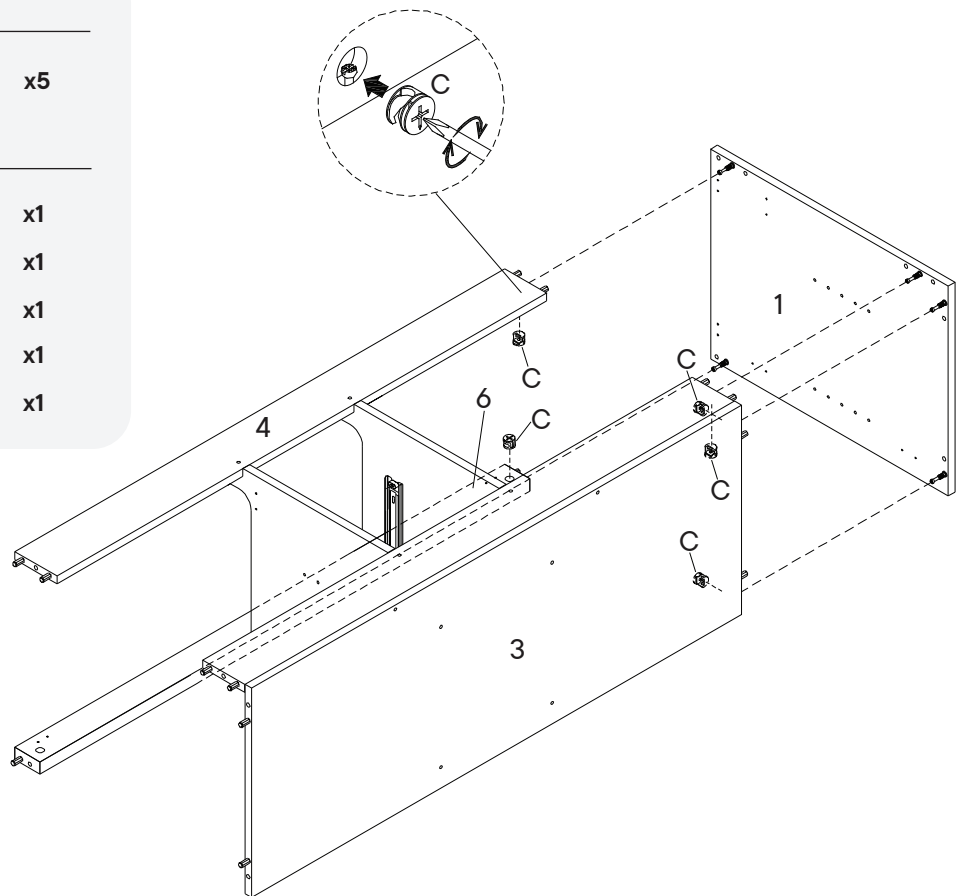
Step 11

HARDWARE

C Cam Lock Ø15 x5

COMPONENTS

1 Left Side Panel x1
3 Bottom Panel x1
4 Back Panel 1 x1
5 Back Panel 2 x1
6 Front Rail 1 x1



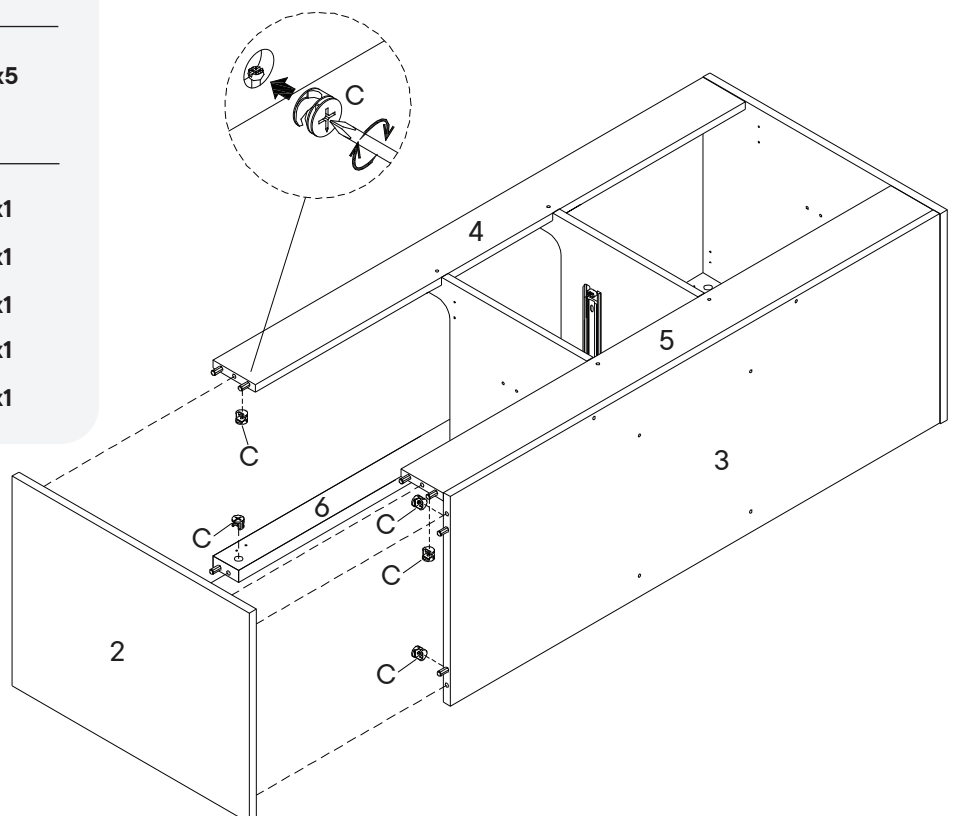
Step 12

HARDWARE

C Cam Lock Ø15 x5

COMPONENTS

2 Right Side Panel x1
3 Bottom Panel x1
4 Back Panel 1 x1
5 Back Panel 2 x1
6 Front Rail 1 x1



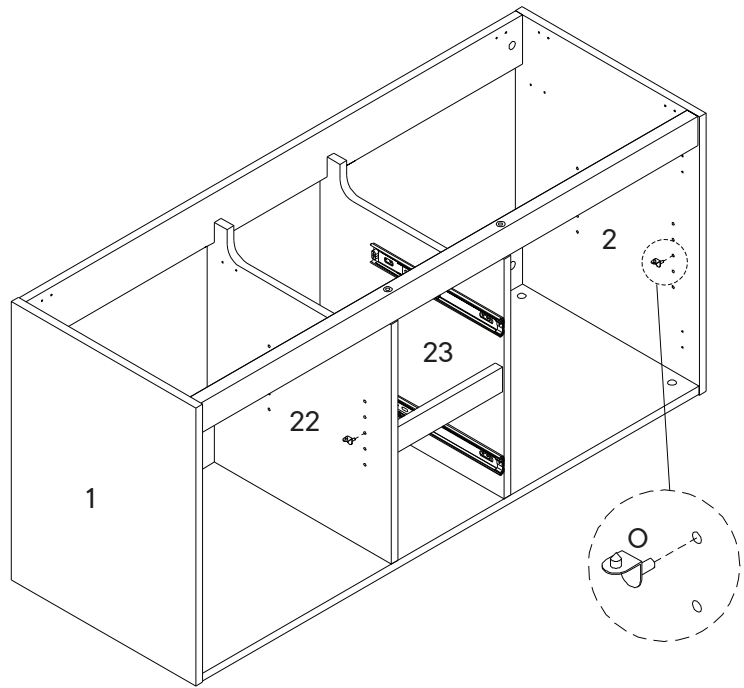
Step 13

HARDWARE

- Shelf Support x8

COMPONENTS

- ① Left Side Panel x1
- ② Right Side Panel x1
- ②② Divider Panel L x1
- ②③ Divider Panel R x1



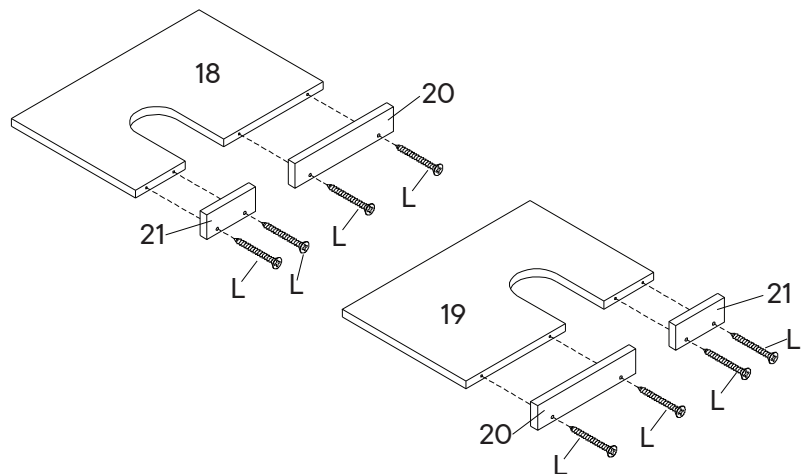
Step 14

HARDWARE

- Ⓛ Screw 9 x 38mm x8

COMPONENTS

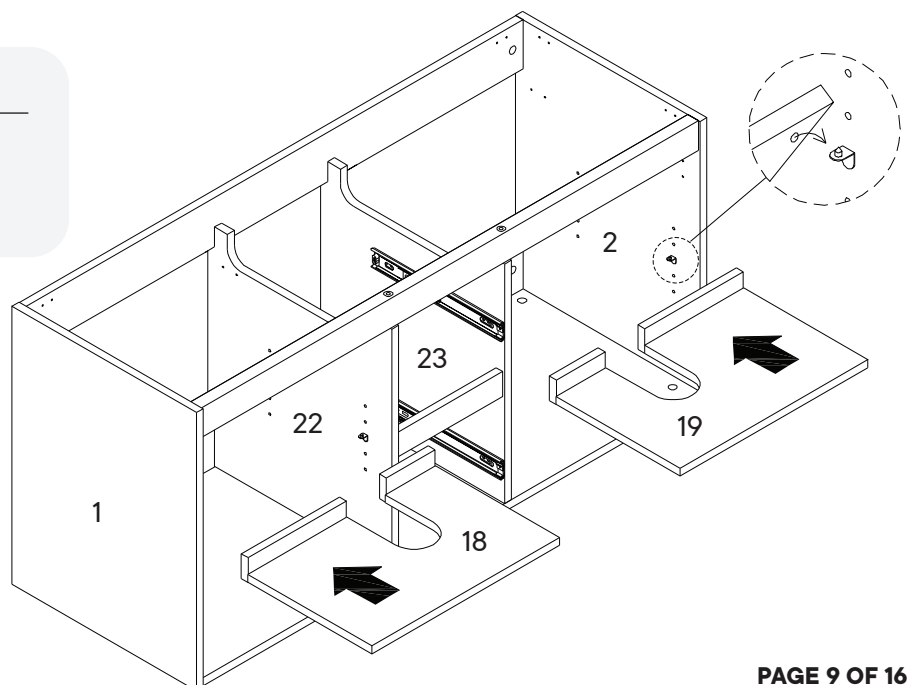
- ⑱ Shelf Panel 1 x1
- ⑲ Shelf Panel 2 x1
- ⑳ Base Panel 1 x2
- ㉑ Base Panel 2 x2



Step 15

COMPONENTS

- ⑱ Shelf Panel 1 x1
- ⑲ Shelf Panel 2 x1



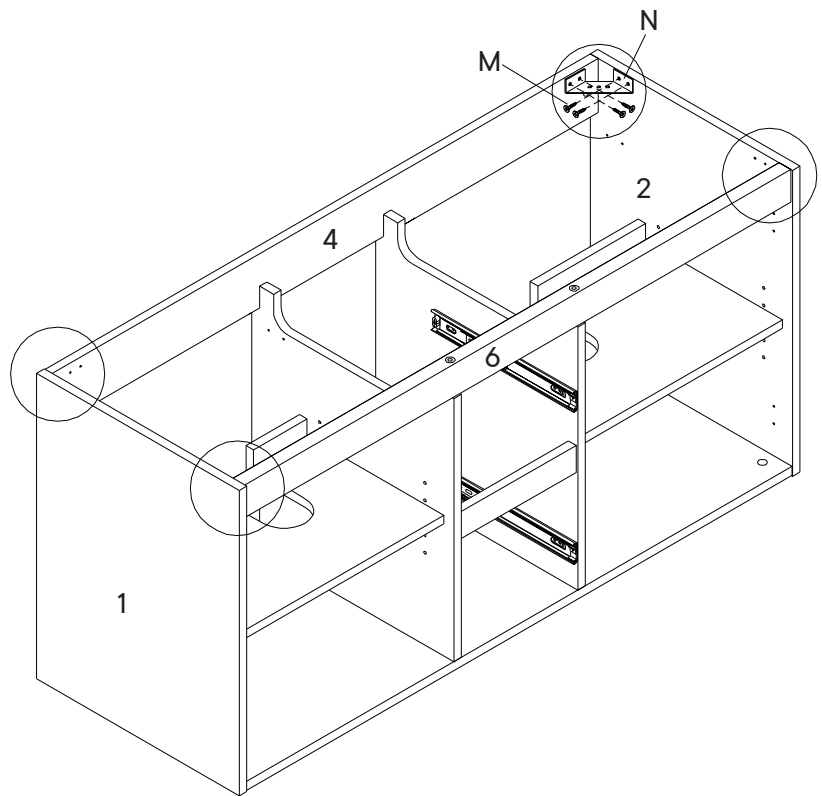
Step 16

HARDWARE

- M** Screw 4 x 14mm x16
- N** Corner Bracket x4

COMPONENTS

- 1** Left Side Panel x1
- 2** Right Side Panel x1
- 4** Back Panel 1 x1
- 6** Front Rail 1 x1



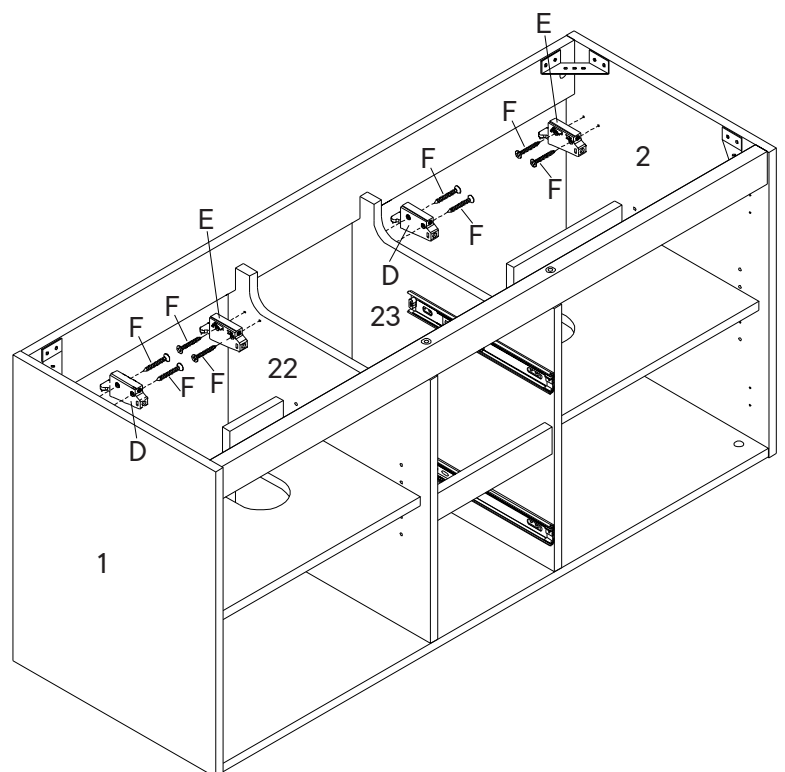
Step 17

HARDWARE

- D** Bracket-L/Hanger x2
- E** Bracket-R/Hanger x2
- F** Screw 4 x 28mm x8

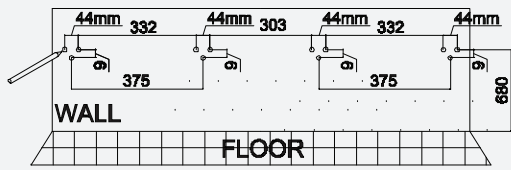
COMPONENTS

- 1** Left Side Panel x1
- 2** Right Side Panel x1
- 22** Divider Panel L x1
- 23** Divider Panel R x1

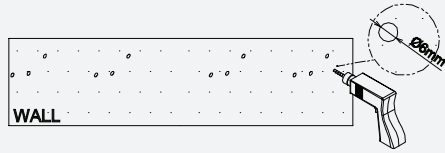


Step 18

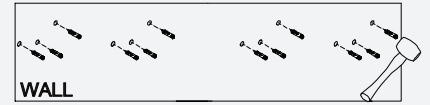
Wall Bracket Installation Guide



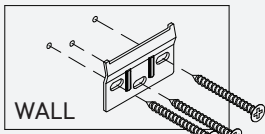
Measurement Guide
All units are in millimeters.



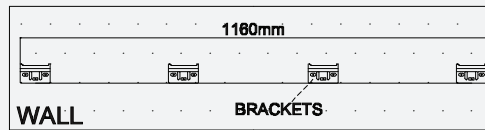
18.1 Use a drill to make all pilot holes.



18.2 Insert a Drywall Anchor into each of the nine holes.

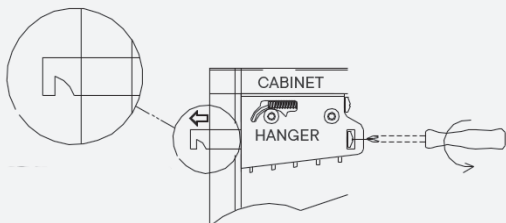


18.3 Install bracket with 3 screws.
Repeat with other brackets.

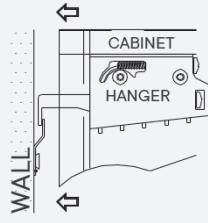


18.4 Ensure your bracket measurements are correct before moving on to attaching the cabinet to the wall.

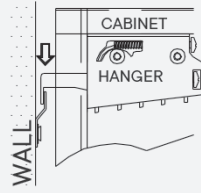
Cabinet-to-Wall Installation Guide



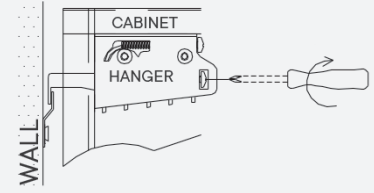
18.5 Set the hanger latch as shown.



18.6 Hook cabinet onto latch.



18.7 Push cabinet down onto latch.

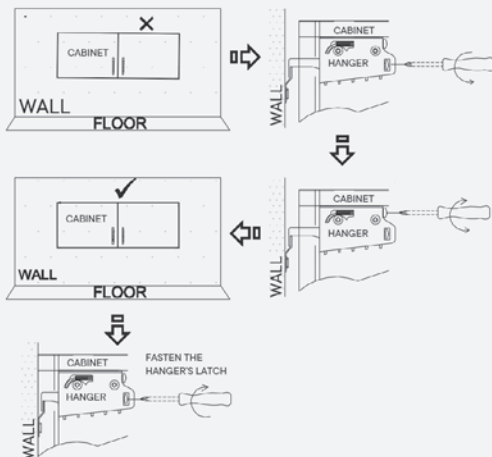


18.8 Fasten the hanger's latch with the screw.

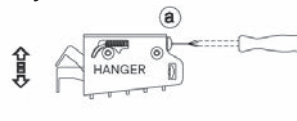
Is the cabinet not hanging quite right?

Here are some adjustment tips.

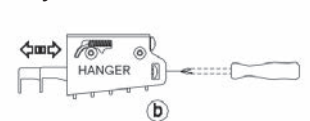
If your cabinet isn't level, follow this guide.



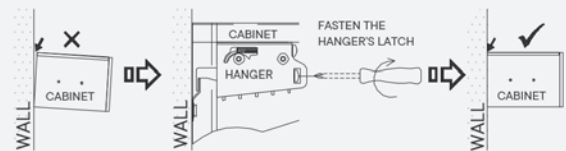
Adjustment Screw A



Adjustment Screw B



If your cabinet is pulling away from the wall, follow this guide.



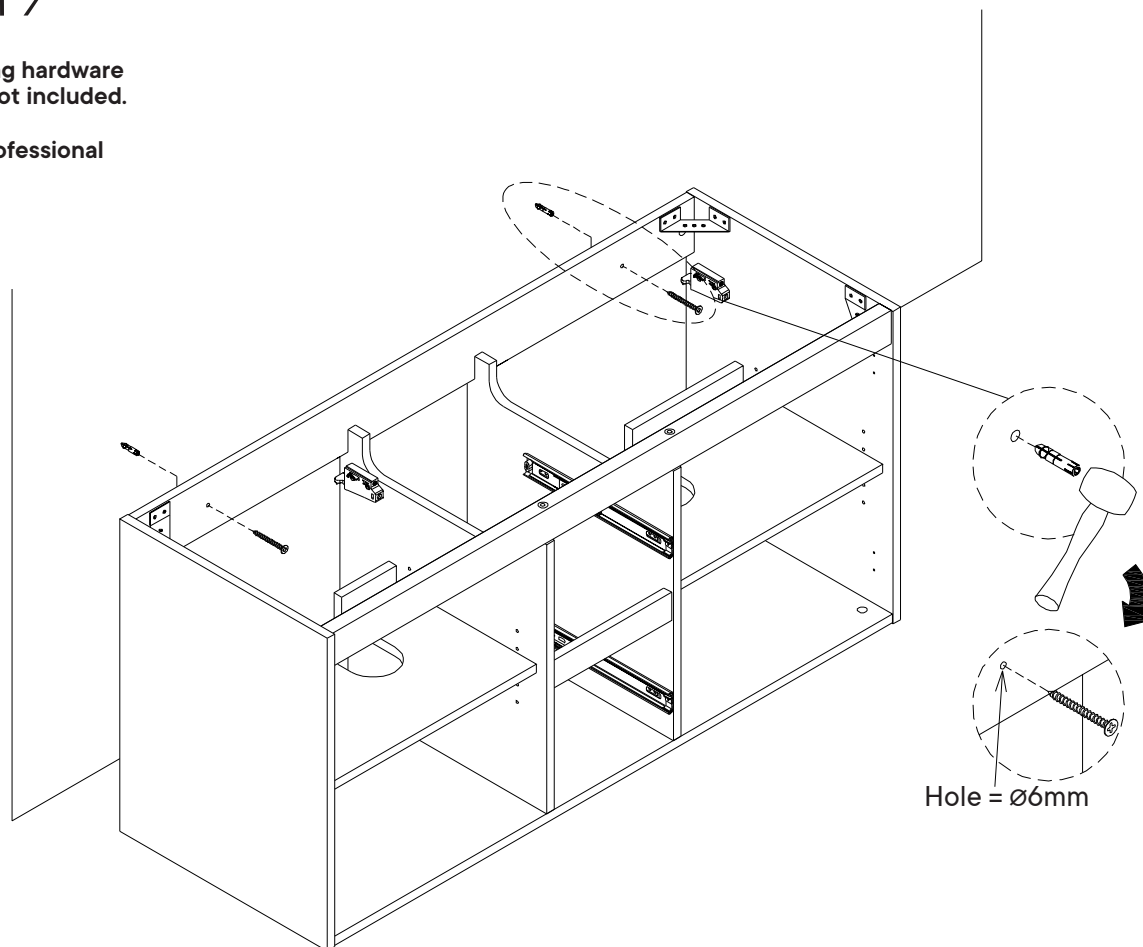
18.9 Once the cabinet is installed and adjusted, install the latch covers.



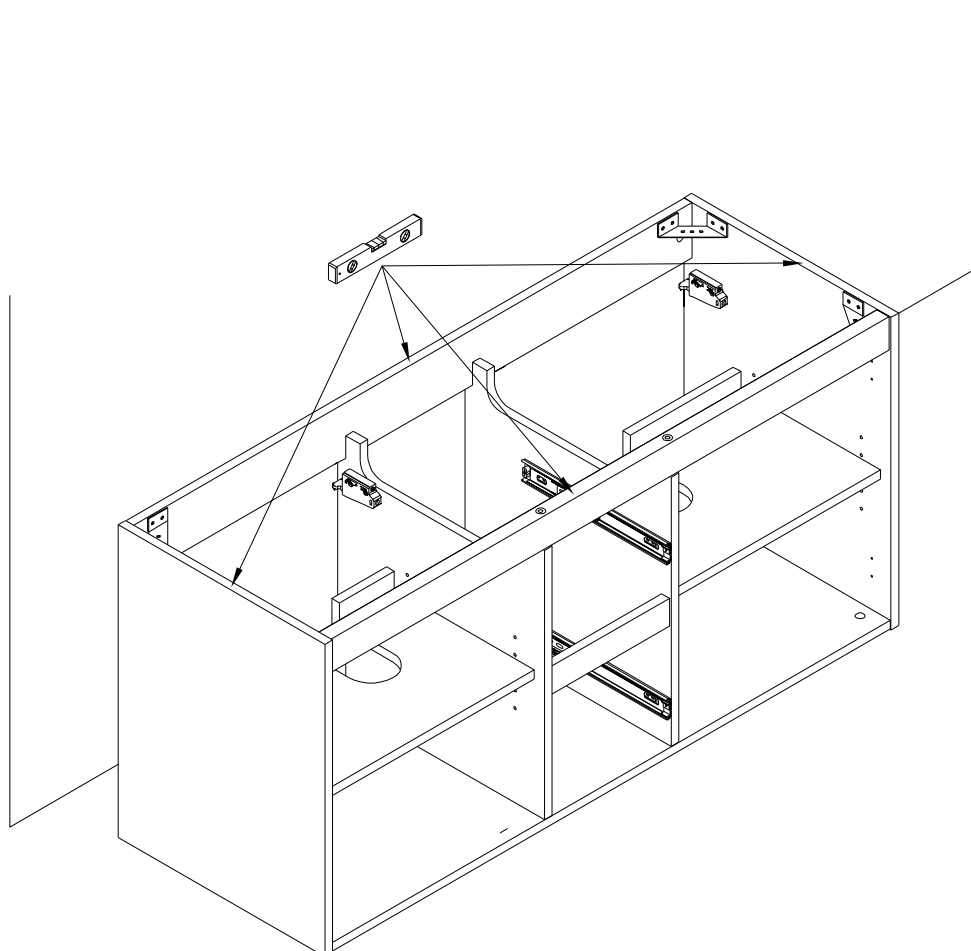
Step 19

NOTE: Mounting hardware and tools are not included.

We suggest professional installation.



Step 20



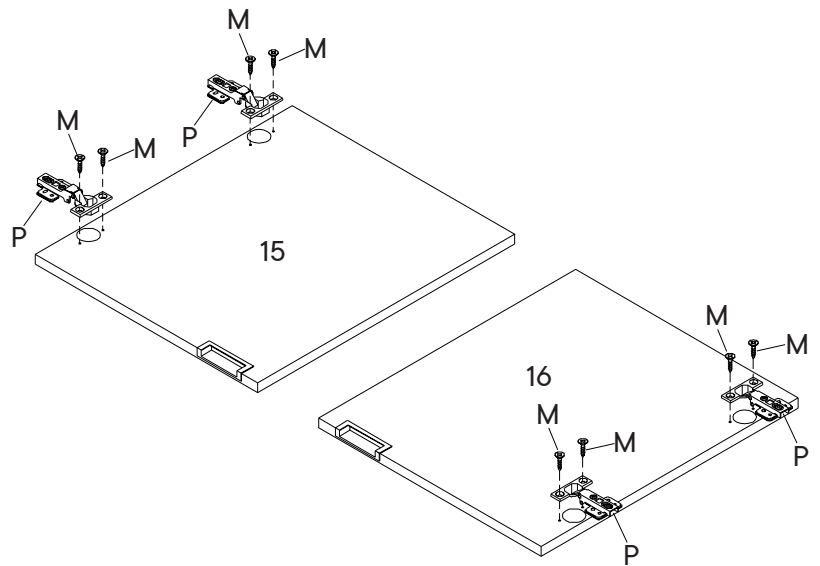
Step 21

HARDWARE

- M** Screw 4 x 14mm x8
- P** Door Hinge x4

COMPONENTS

- 15** Door Panel Left x1
- 16** Door Panel Right x1



Step 22

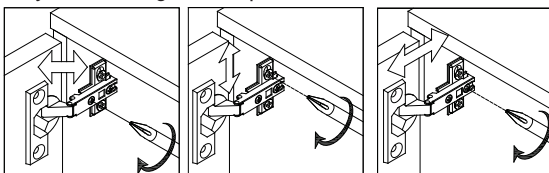
HARDWARE

- M** Screw 4 x 14mm x16
- T** Rubber Pad x8

COMPONENTS

- 15** Door Panel Left x1
- 16** Door Panel Right x1

Adjust the hinges, if required.

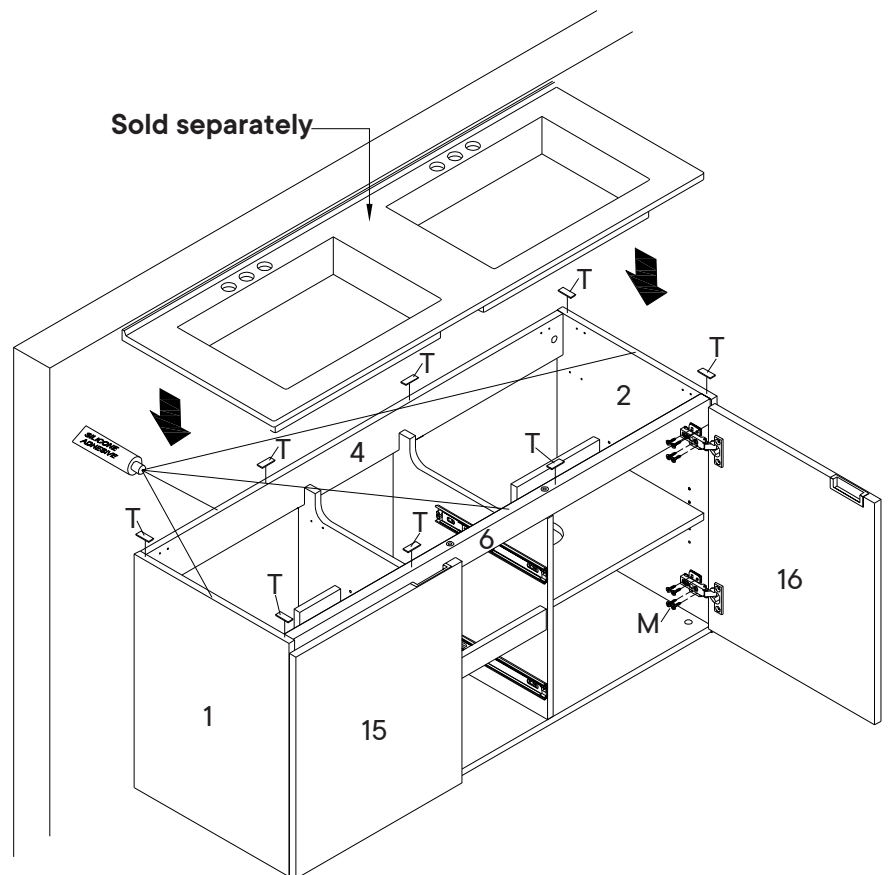


Adjust laterally

Adjust height

Adjust depth

Temporarily remove/dismantle the Door & Shelf during Basin/Sink/Plumbing work installation work to prevent water damage.

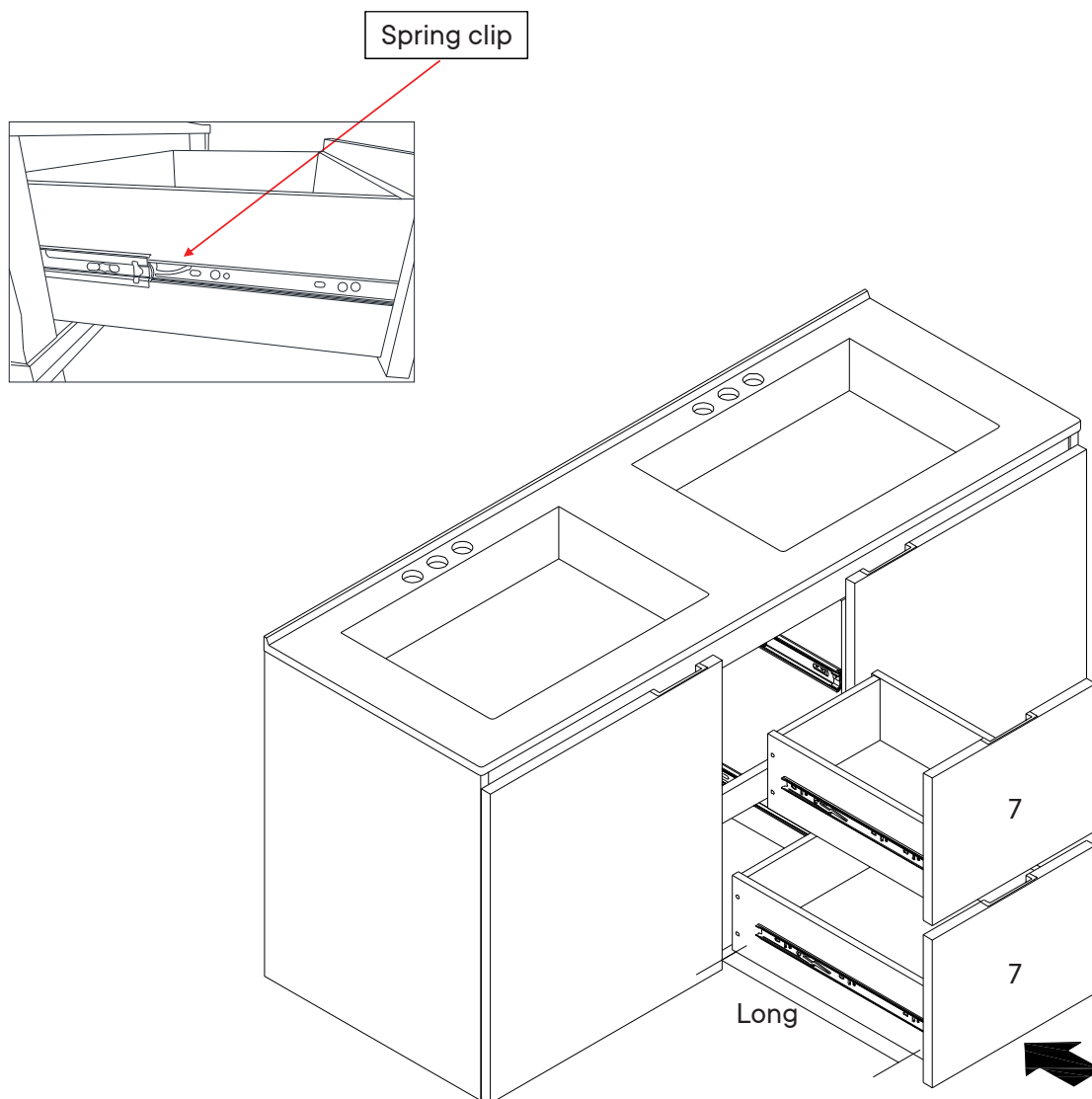


Step 23

The drawer(s) can be removed, if ever required.

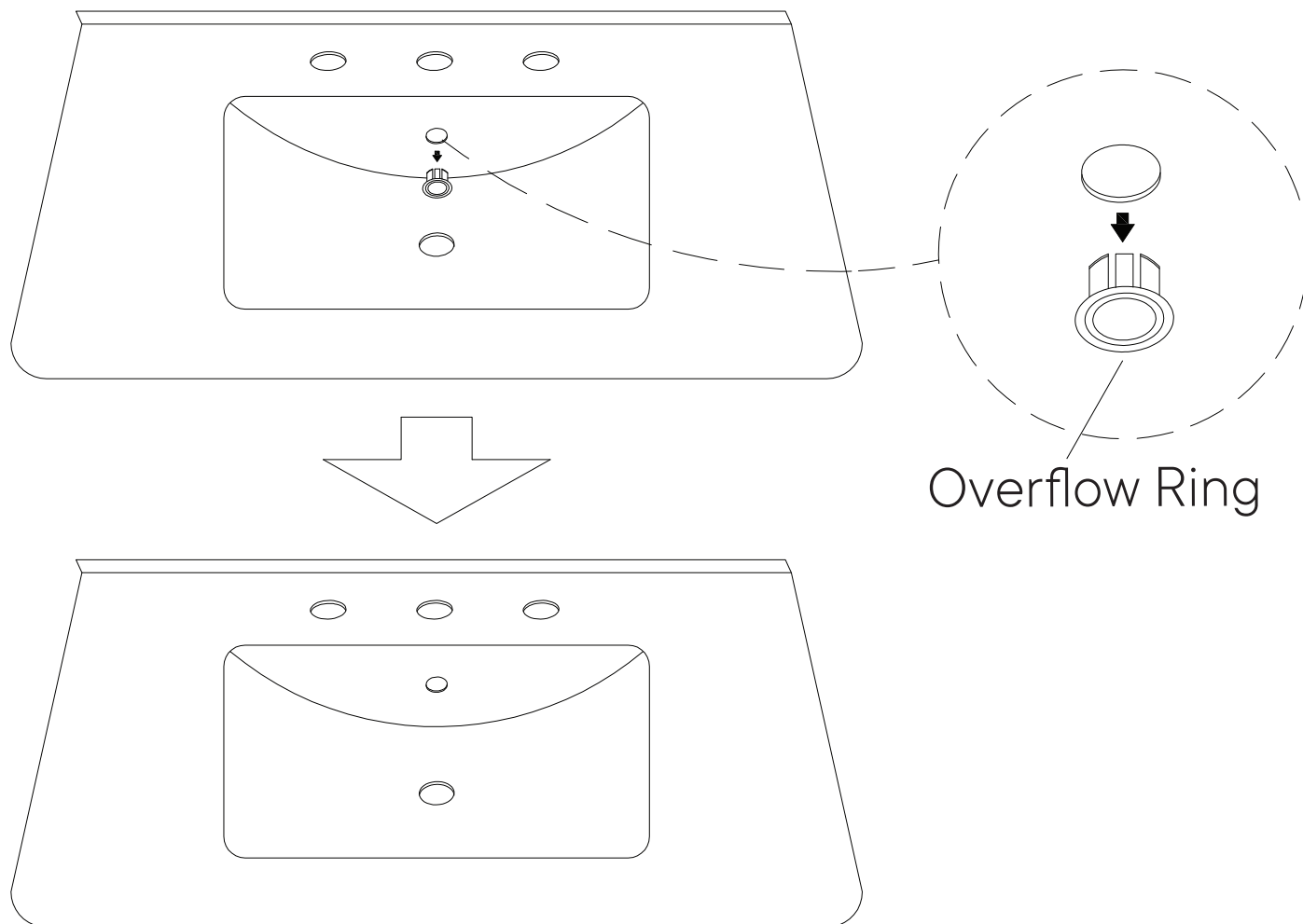
Locate the spring clip on both sides on the drawer glide.
At the same time, press the clips and pull the drawer out.

To reinsert, simply align the 2 sides of the drawer glides
and slide in until fully inserted.



A quick note...

Your sink basin comes complete with a silver overflow ring.
If you'd like to remove this overflow ring, you can do so by hand.



Wait!

Missing parts or hardware? Need assistance?
Contact us before returning your item. We're here to help!
609.256.9000 • cs@modway.com

Great job!

Cabinet assembly is complete.

♥ CARING FOR YOUR ITEM

Indoor use only.

Not contract grade.

Clean using a non-abrasive cloth and a mild cleaner.

Never use harsh chemicals, as they could damage the finish or integrity of the item.

CONNECT WITH US!   

Tag us [@modway_furniture](#) and [#modway](#) for a chance to be featured.

