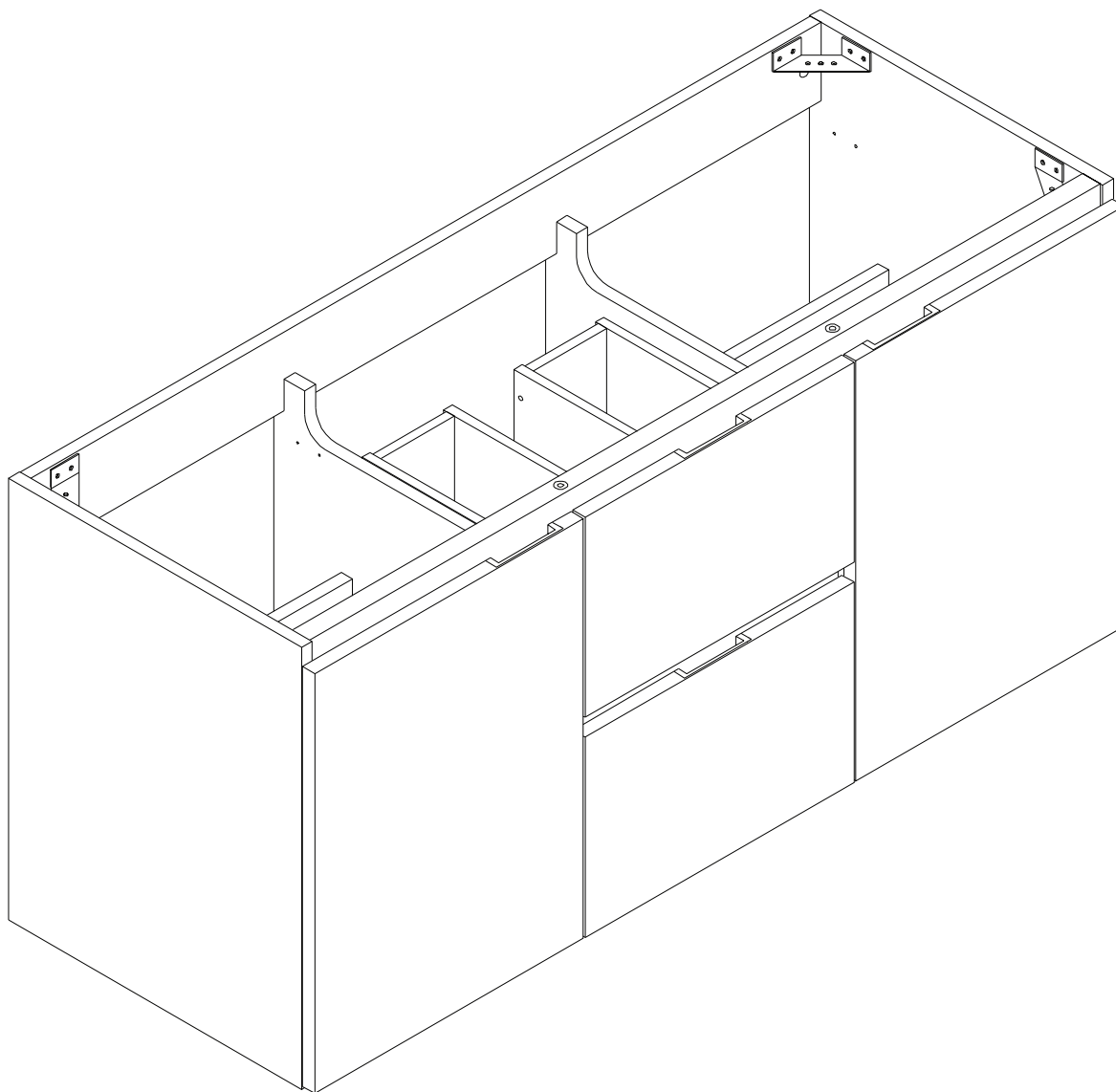


ASSEMBLY INSTRUCTIONS

EEI-5882

V1.01.24.22



Questions? Contact us!

609.256.9000 • cs@modway.com
www.modway.com

*modway

Let's get started!

*modway



Read through all of the instructions before starting



Care instructions are listed in the last step of this manual



Approx. 120 minutes assembly time



Make sure you have all parts and components before discarding any packing materials



2 people recommended for assembly

Only use hand tools to assemble this item. Do not use power tools. Do not tighten bolts or screws completely until all hardware is lined up and inserted into the holes.

Do not over-tighten screws and bolts to avoid stripping the hardware or cracking the item.

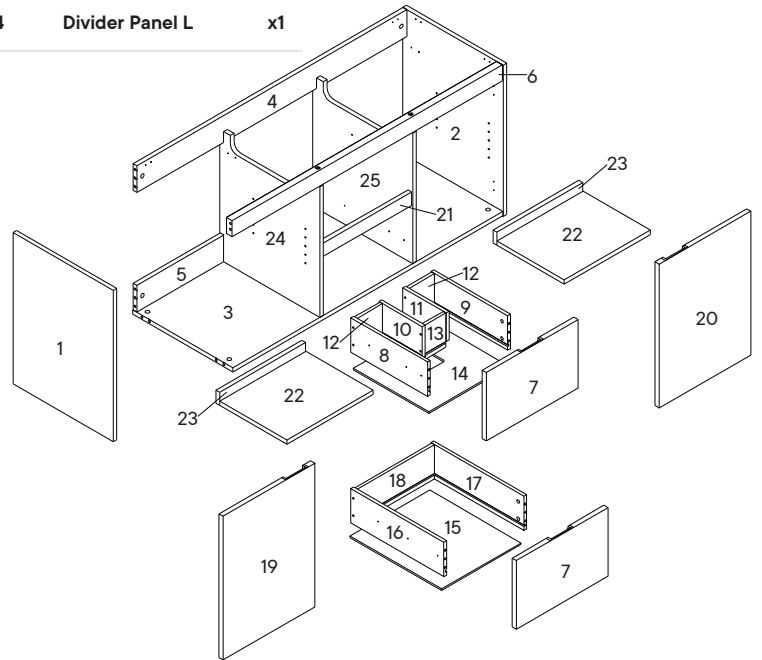
For vanity and plumbing installation, we suggest hiring a professional contractor and plumber.

Assemble your item on a flat, carpeted area, with plenty of space to work. This will prevent damage and scratches to your floors or the item while you're assembling the product.

Keep all components and packaging out of reach of children or animals to avoid risk of choking or suffocation.

Furniture components:

1	Left Side Panel	x1	12	Drawer Back 1	x2	23	Base Panel	x2	25	Divider Panel R	x1
2	Right Side Panel	x1	13	Drawer Back 2	x1	24	Divider Panel L	x1			
3	Bottom Panel	x1	14	Drawer Panel 1	x1						
4	Back Panel 1	x1	15	Drawer Panel 2	x1						
5	Back Panel 2	x1	16	Drawer Side L 3	x1						
6	Front Rail 1	x1	17	Drawer Side R 3	x1						
7	Drawer Front	x2	18	Drawer Back 3	x1						
8	Drawer Side L 1	x1	19	Door Panel Left	x1						
9	Drawer Side R 1	x1	20	Door Panel Right	x1						
10	Drawer Side L 2	x1	21	Front Rail 2	x1						
11	Drawer Side R 2	x1	22	Shelf Panel	x2						



Provided hardware:

A		Wood Dowel M8 x 25mm	x16	I		Screw 4 x 12mm	x24	Q		Screw 6 x 70mm	x2
B		Cam Bolt Ø6 x 24mm	x20	J		Cam Lock Ø12	x8	R		Barrel Nut	x2
C		Cam Lock Ø15	x12	K		Wood Dowel M6 x 25mm	x4	S		Hex Wrench	x1
D		Bracket/L-Hanger	x2	L		Screw 9 x 38mm	x30	T		Rubber Pad	x8
E		Bracket/R-Hanger	x2	M		Screw 4 x 14mm	x40				
F		Screw 4 x 28mm	x8	N		Corner Bracket	x4				
G		Bearing Runner 350mm	x1 Pair	O		Shelf Support	x8				
H		Bearing Runner 300mm	x1 Pair	P		Door Hinge	x4				

What you need:

Phillips Head Screwdriver

You may also need:

- + Power Drill
- + Level
- + Silicone Adhesive or Caulk
- + Drywall Anchors and Screws
- + Other Wall-Mounting Hardware

Wait!

Missing parts or hardware? Need assistance?
Contact us before returning your item. We're here to help!
609.256.9000 • cs@modway.com

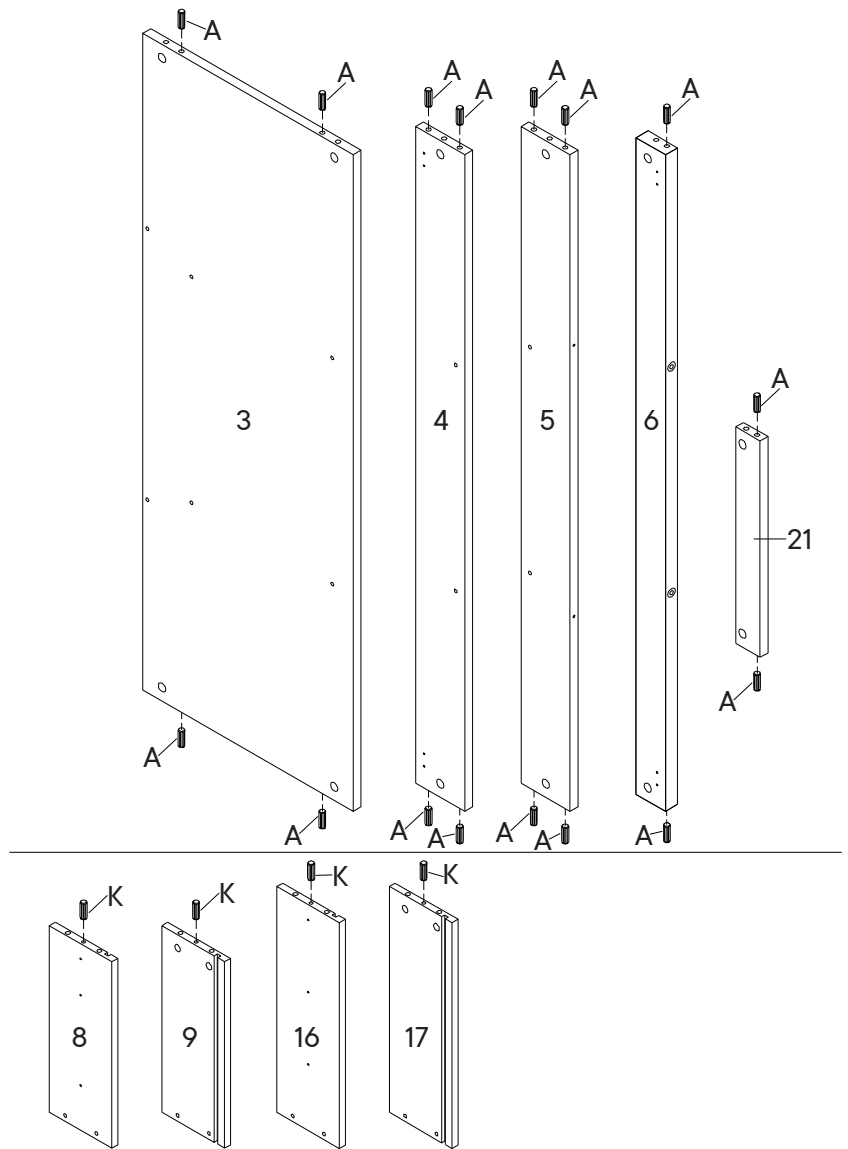
Step 1

HARDWARE

- A** Wood Dowel M8 x 25mm x16
- K** Wood Dowel M6 x 25mm x4

COMPONENTS

- 3** Bottom Panel x1
- 4** Back Panel 1 x1
- 5** Back Panel 2 x1
- 6** Front Rail 1 x1
- 8** Drawer Side L 1 x1
- 9** Drawer Side R 1 x1
- 16** Drawer Side L 3 x1
- 17** Drawer Side R 3 x1
- 21** Front Rail 2 x1



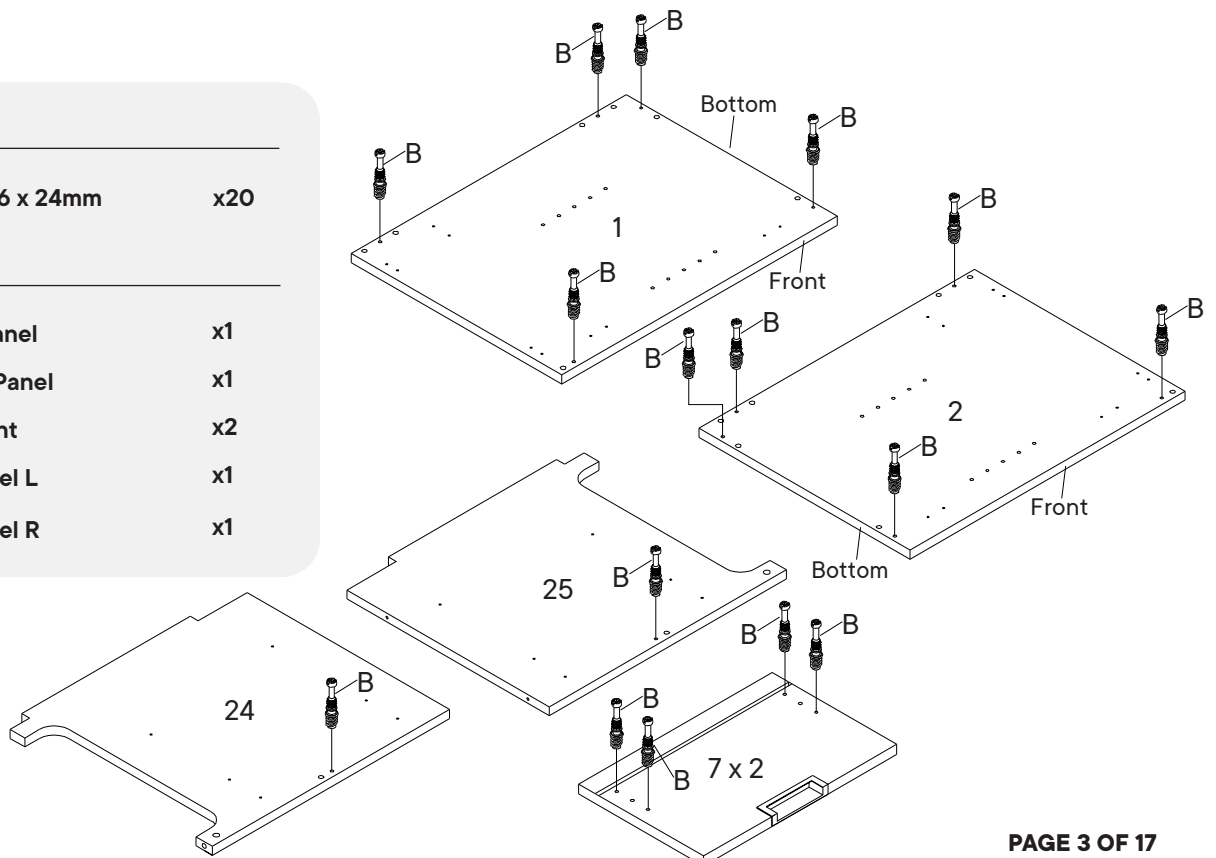
Step 2

HARDWARE

- B** Cam Bolt $\varnothing 6 \times 24$ mm x20

COMPONENTS

- 1** Left Side Panel x1
- 2** Right Side Panel x1
- 7** Drawer Front x2
- 24** Divider Panel L x1
- 25** Divider Panel R x1



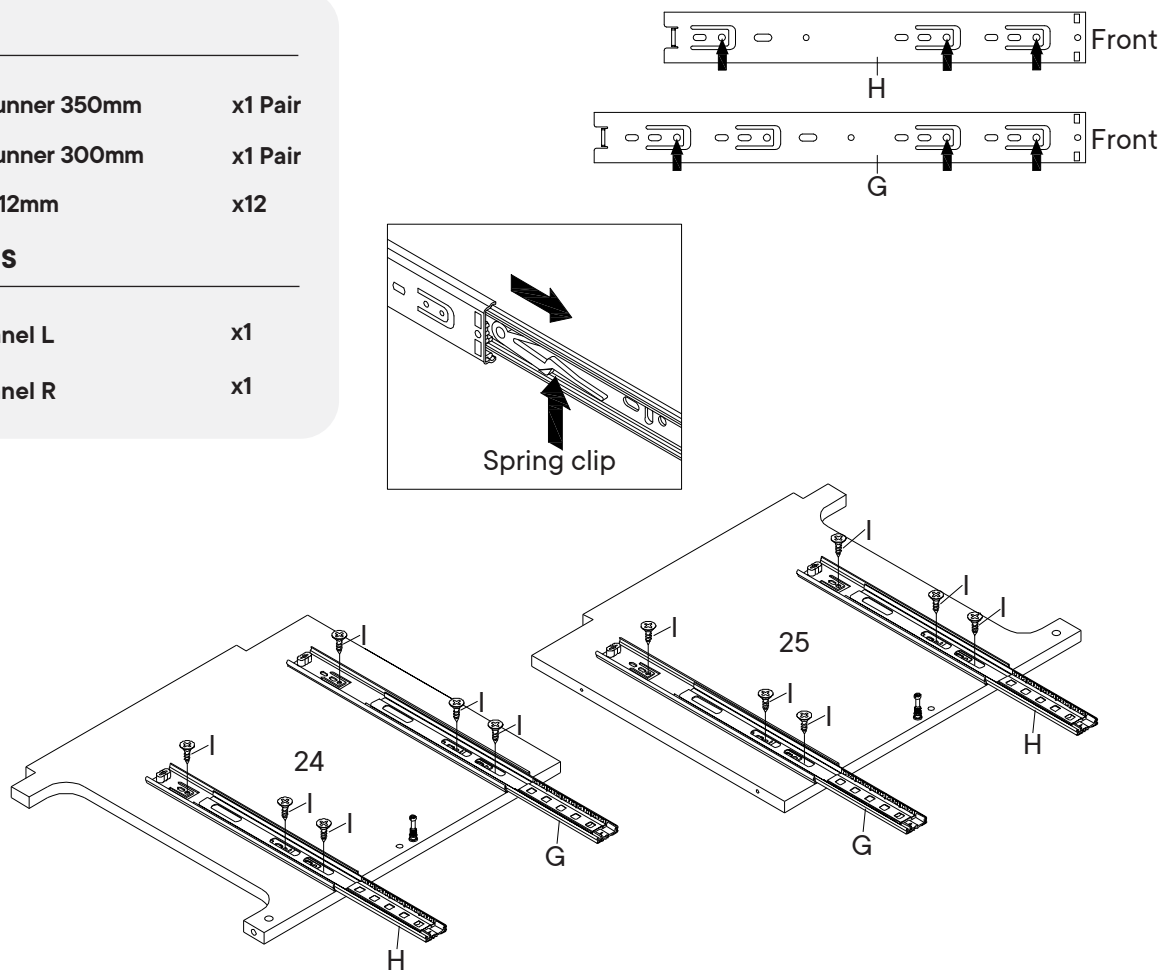
Step 3

HARDWARE

- G** Bearing Runner 350mm x1 Pair
- H** Bearing Runner 300mm x1 Pair
- I** Screw 4 x 12mm x12

COMPONENTS

- 24** Divider Panel L x1
- 25** Divider Panel R x1



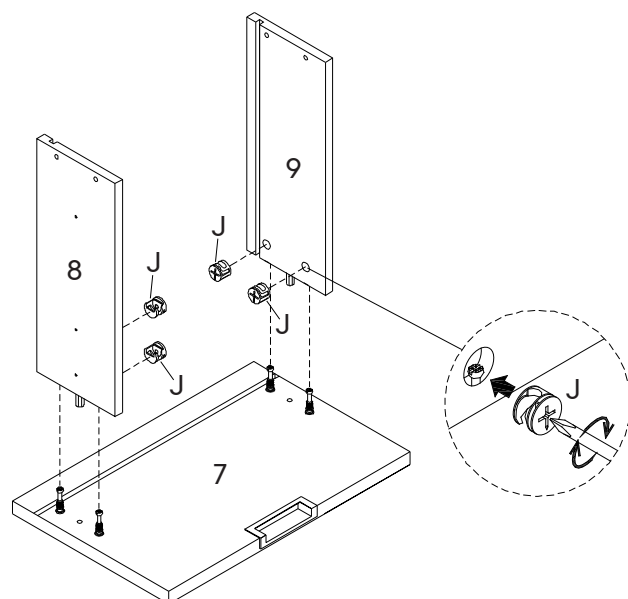
Step 4

HARDWARE

- J** Cam Lock Ø12 x4

COMPONENTS

- 7** Drawer Front x1
- 8** Drawer Side L 1 x1
- 9** Drawer Side R 1 x1



Step 5

HARDWARE

L Screw 9 x 38mm x8

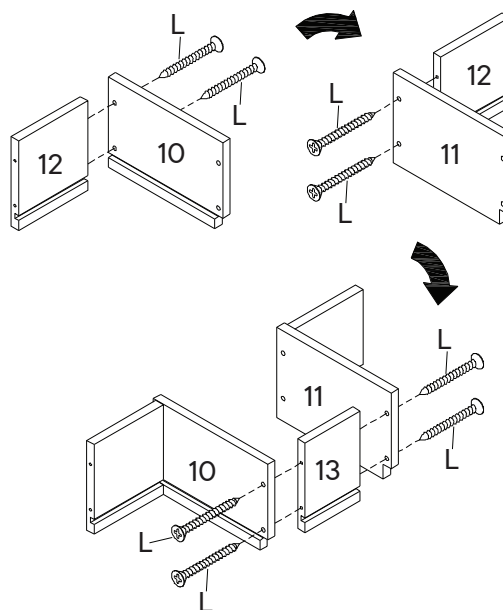
COMPONENTS

10 Drawer Side L 2 x1

11 Drawer Side R 2 x1

12 Drawer Back 1 x2

13 Drawer Back 2 x1

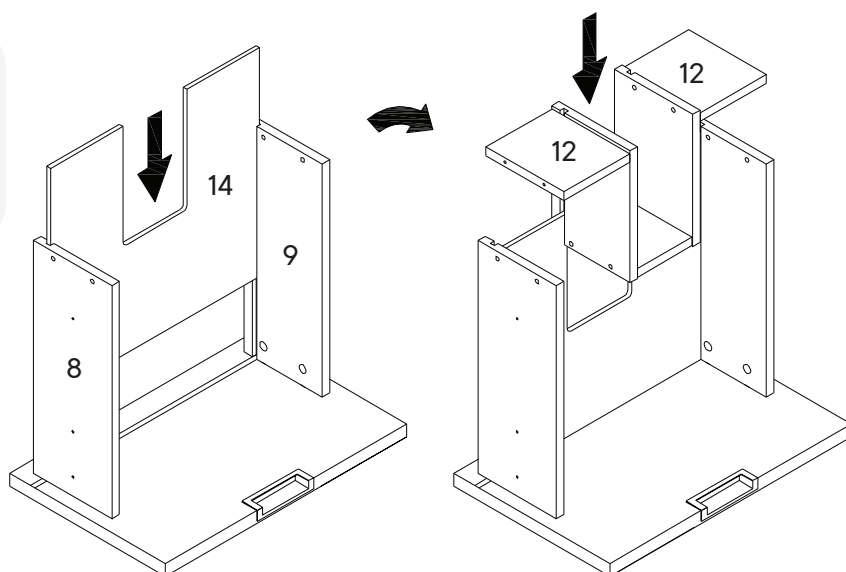


Step 6

COMPONENTS

14 Drawer Panel 1 x1

12 Drawer Back 1 x2



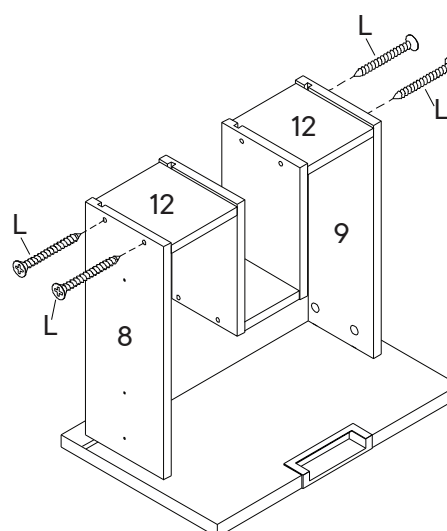
Step 7

HARDWARE

L Screw 9 x 38mm x4

COMPONENTS

12 Drawer Back 1 x2



Step 8

HARDWARE

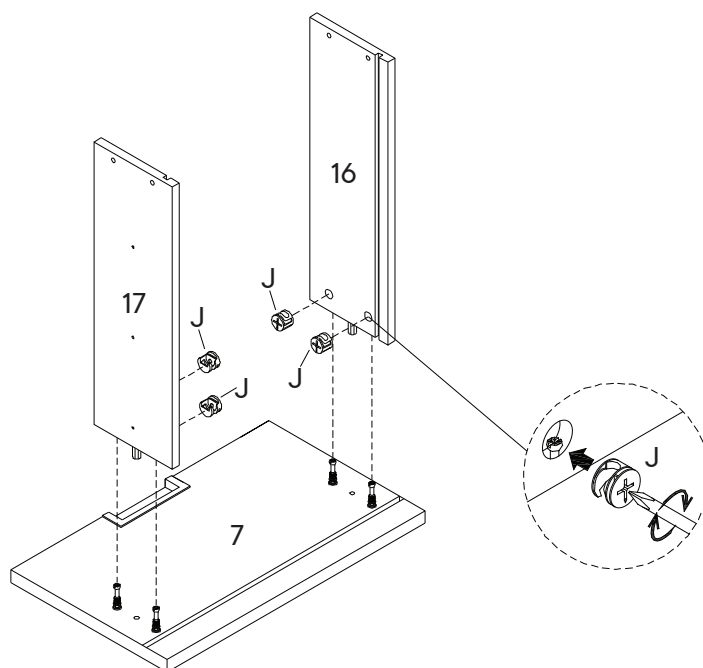
J Cam Lock Ø12 x4

COMPONENTS

7 Drawer Front x1

16 Drawer Side L 3 x1

17 Drawer Side R 3 x1



Step 9

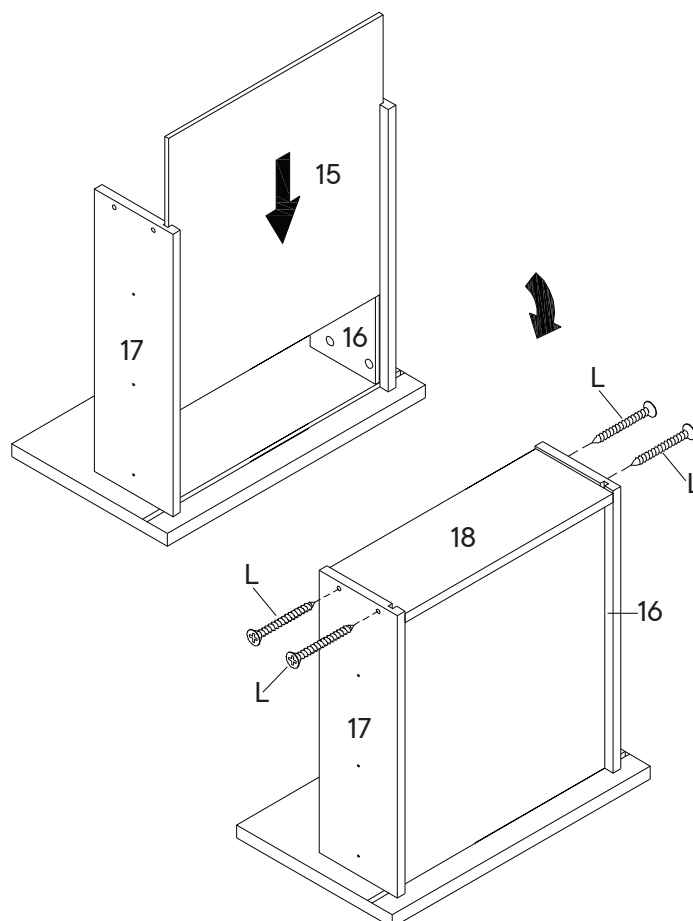
HARDWARE

L Screw 9 x 38mm x4

COMPONENTS

15 Drawer Panel 2 x1

18 Drawer Back 3 x1



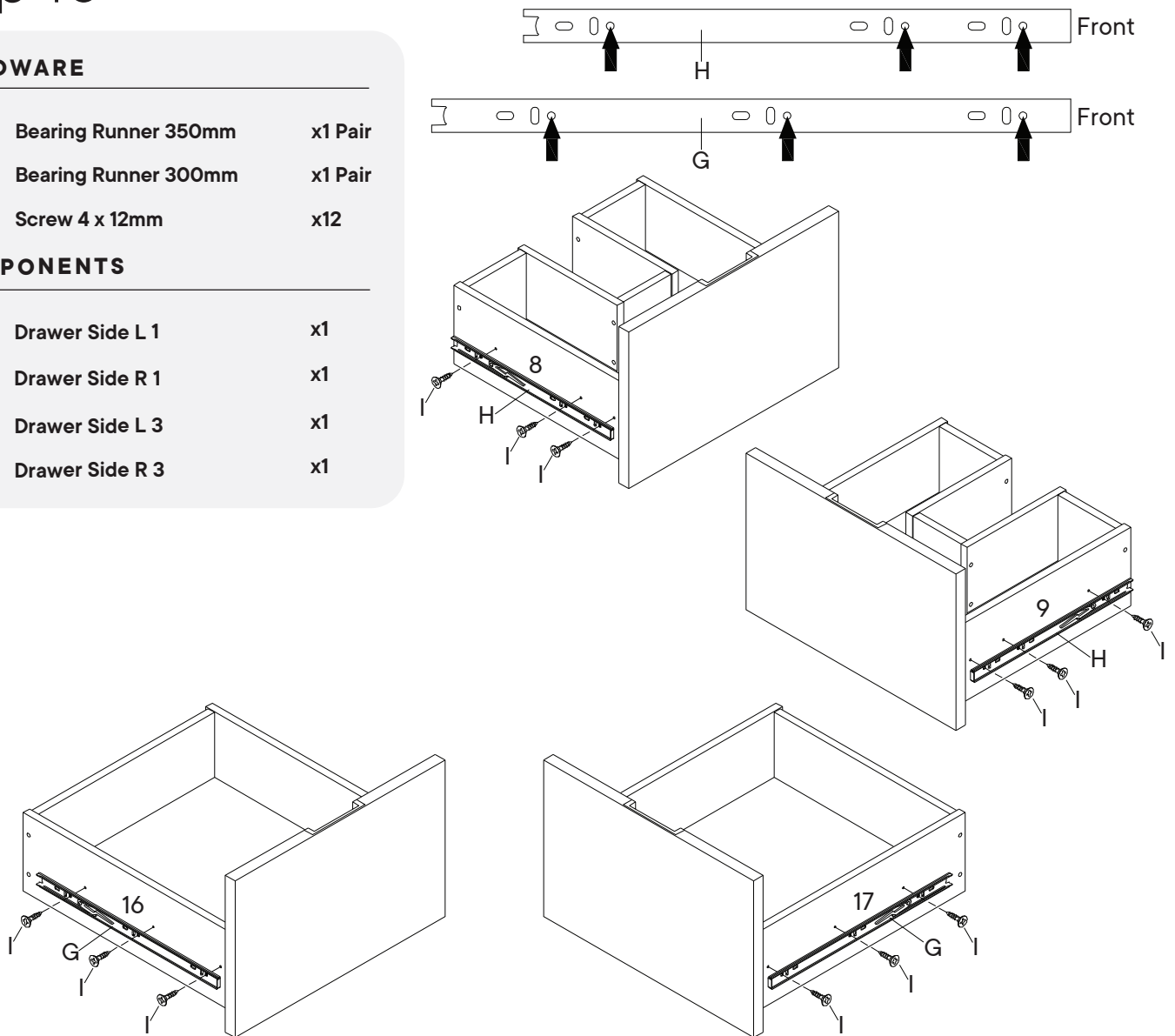
Step 10

HARDWARE

- G** Bearing Runner 350mm x1 Pair
- H** Bearing Runner 300mm x1 Pair
- I** Screw 4 x 12mm x12

COMPONENTS

- 8** Drawer Side L 1 x1
- 9** Drawer Side R 1 x1
- 16** Drawer Side L 3 x1
- 17** Drawer Side R 3 x1



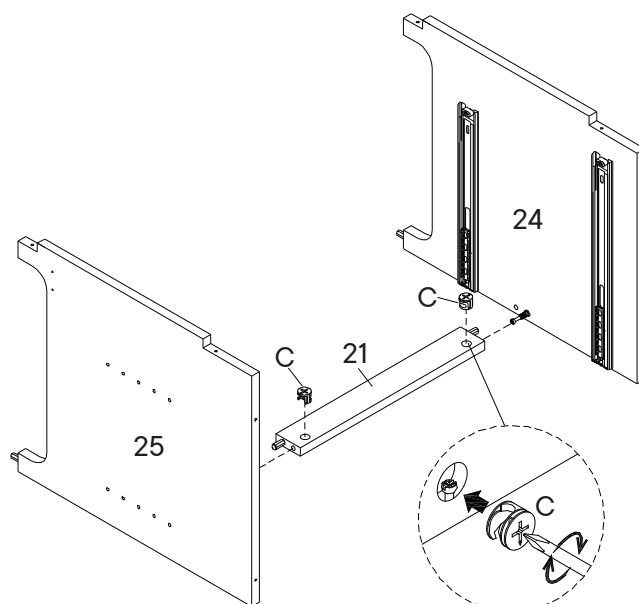
Step 11

HARDWARE

- C** Cam Lock Ø15 x2

COMPONENTS

- 21** Front Rail 2 x1
- 24** Divider Panel L x1
- 25** Divider Panel R x1



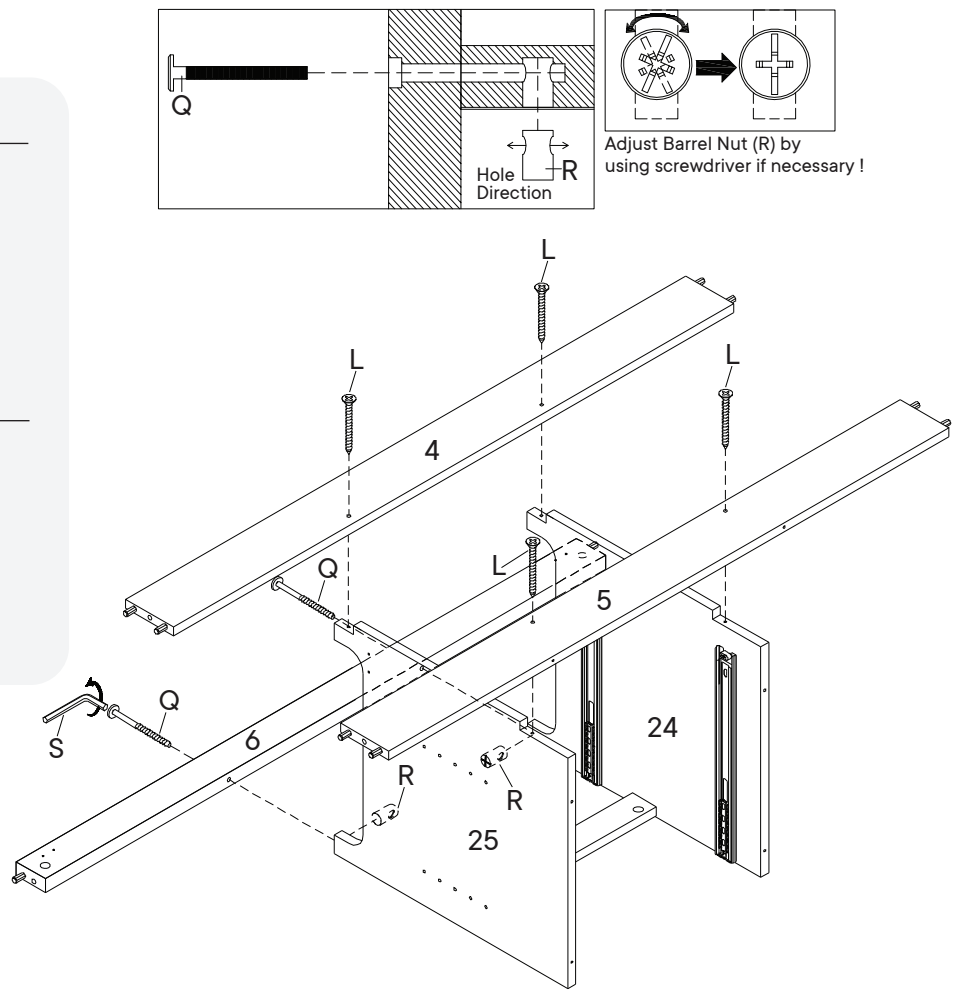
Step 12

HARDWARE

- L** Screw 9 x 38mm x4
- Q** Screw 6 x 70mm x2
- R** Barrel Nut x2
- S** Hex Wrench x1

COMPONENTS

- 4** Back Panel 1 x1
- 5** Back Panel 2 x1
- 6** Front Rail 1 x1
- 24** Divider Panel L x1
- 25** Divider Panel R x1



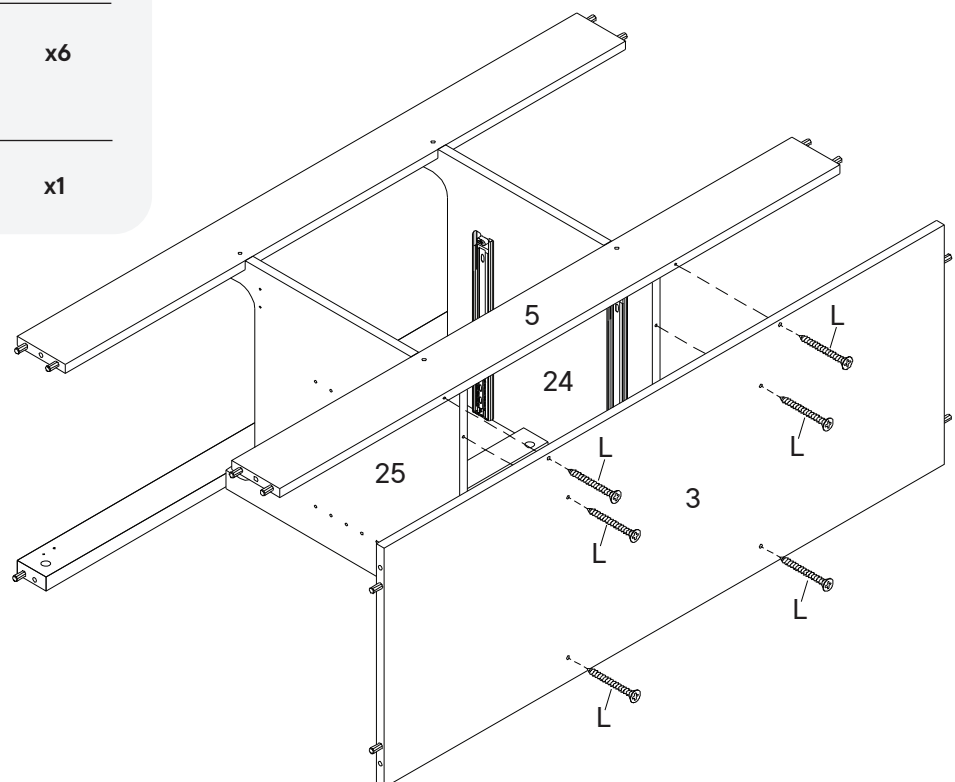
Step 13

HARDWARE

- L** Screw 9 x 38mm x6

COMPONENTS

- 3** Bottom Panel x1



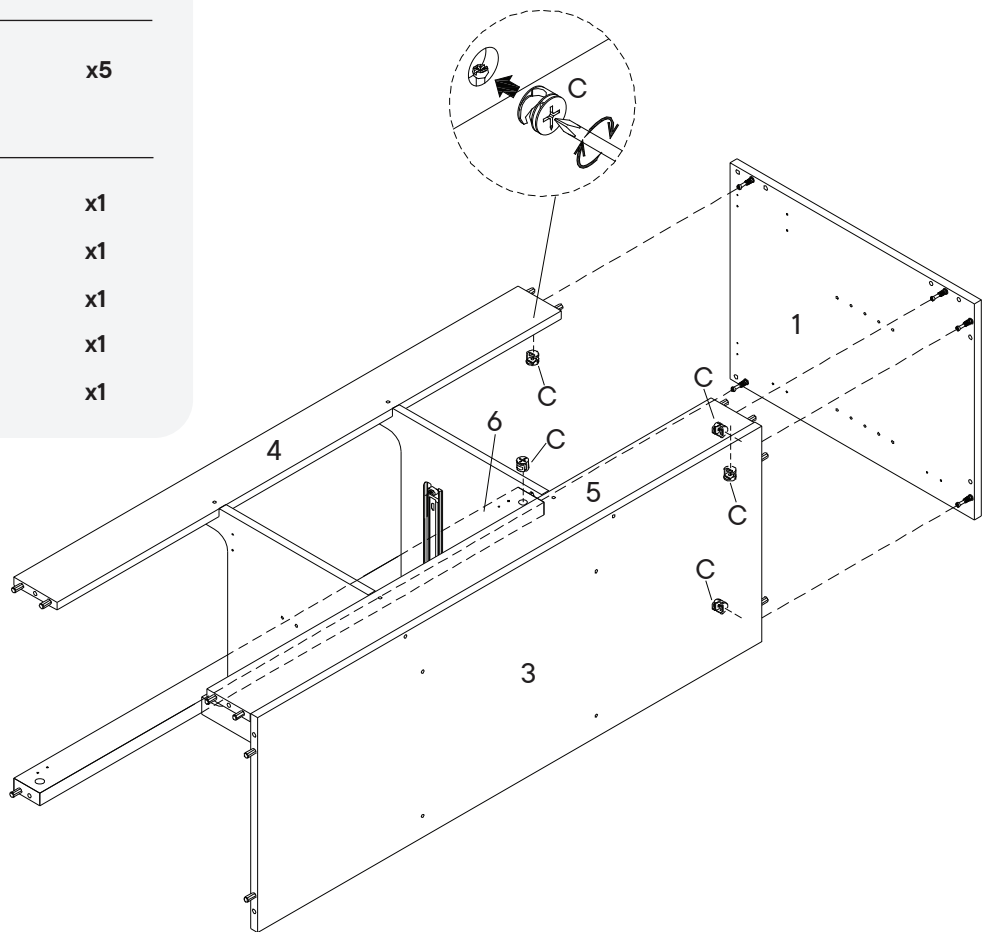
Step 14

HARDWARE

C Cam Lock Ø15 x5

COMPONENTS

1 Left Side Panel x1
3 Bottom Panel x1
4 Back Panel 1 x1
5 Back Panel 2 x1
6 Front Rail 1 x1



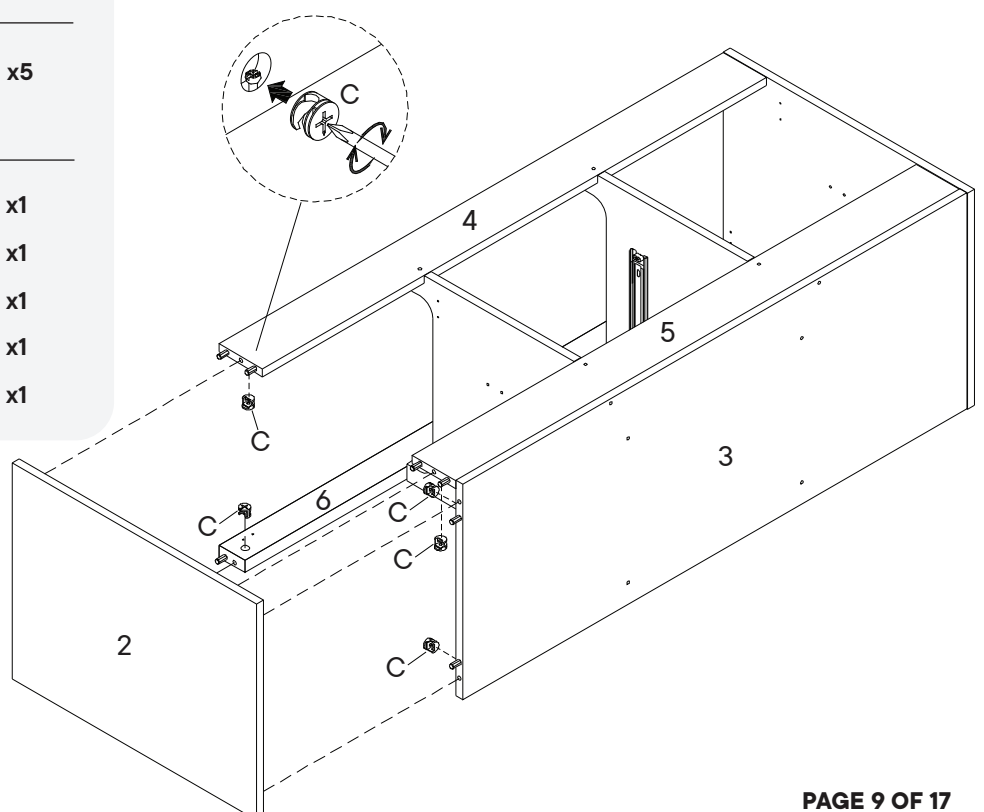
Step 15

HARDWARE

C Cam Lock Ø15 x5

COMPONENTS

2 Right Side Panel x1
3 Bottom Panel x1
4 Back Panel 1 x1
5 Back Panel 2 x1
6 Front Rail 1 x1



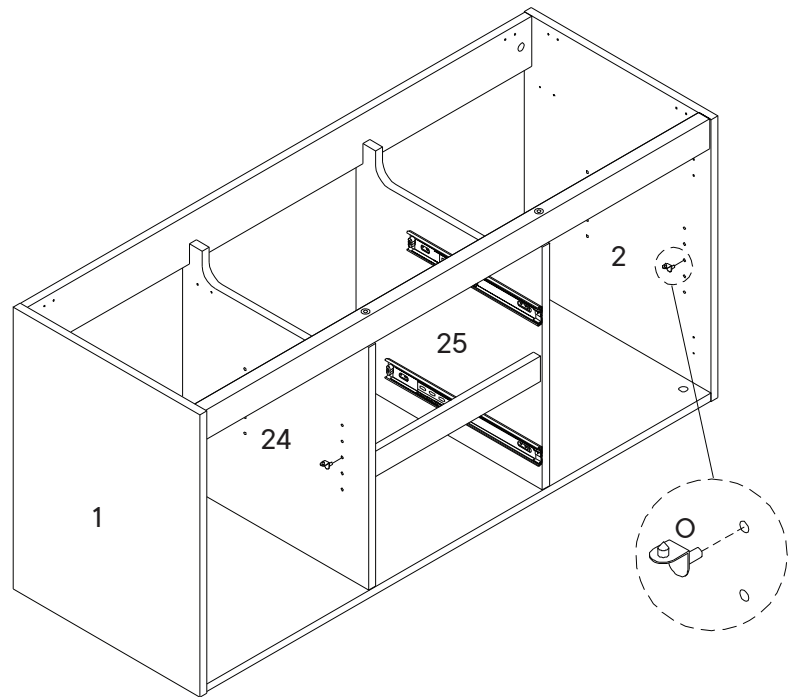
Step 16

HARDWARE

- Shelf Support x8

COMPONENTS

- ① Left Side Panel x1
- ② Right Side Panel x1
- ②④ Divider Panel L x1
- ②⑤ Divider Panel R x1



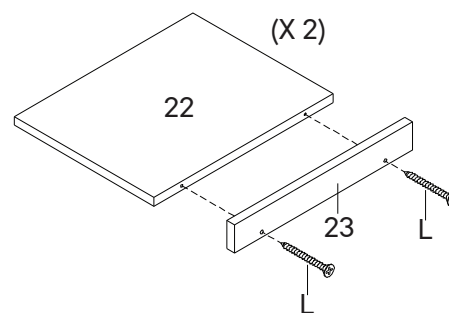
Step 17

HARDWARE

- Ⓛ Screw 9 x 38mm x4

COMPONENTS

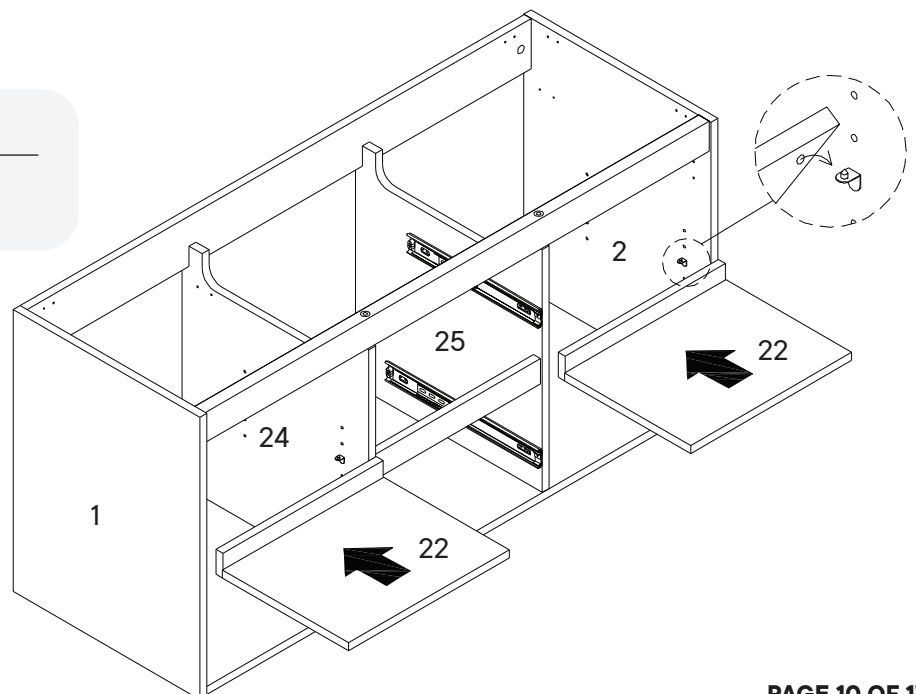
- ②② Shelf Panel x2
- ②③ Base Panel x2



Step 18

COMPONENTS

- ②② Shelf Panel x2



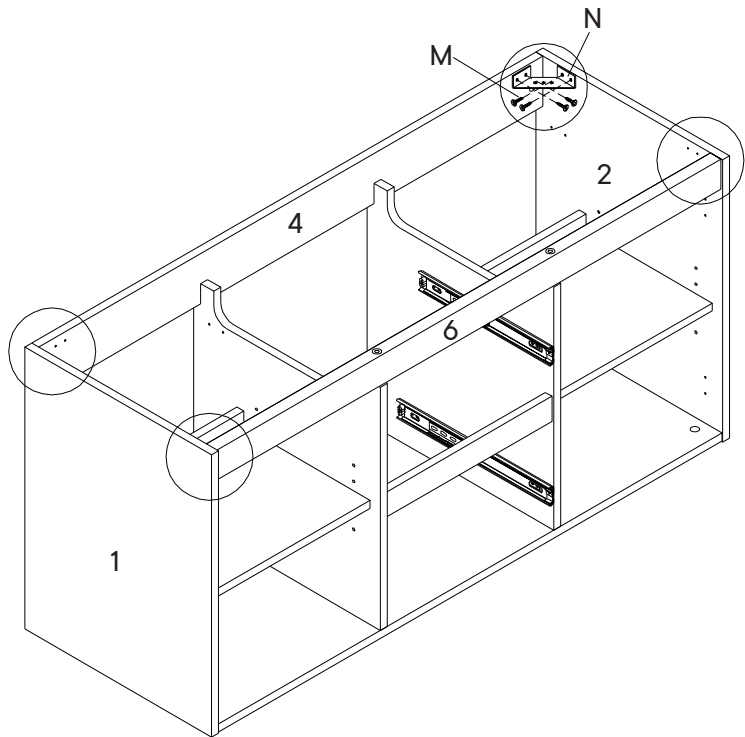
Step 19

HARDWARE

- M** Screw 4 x 14mm x16
- N** Corner Bracket x4

COMPONENTS

- 1** Left Side Panel x1
- 2** Right Side Panel x1
- 4** Back Panel 1 x1
- 6** Front Rail 1 x1



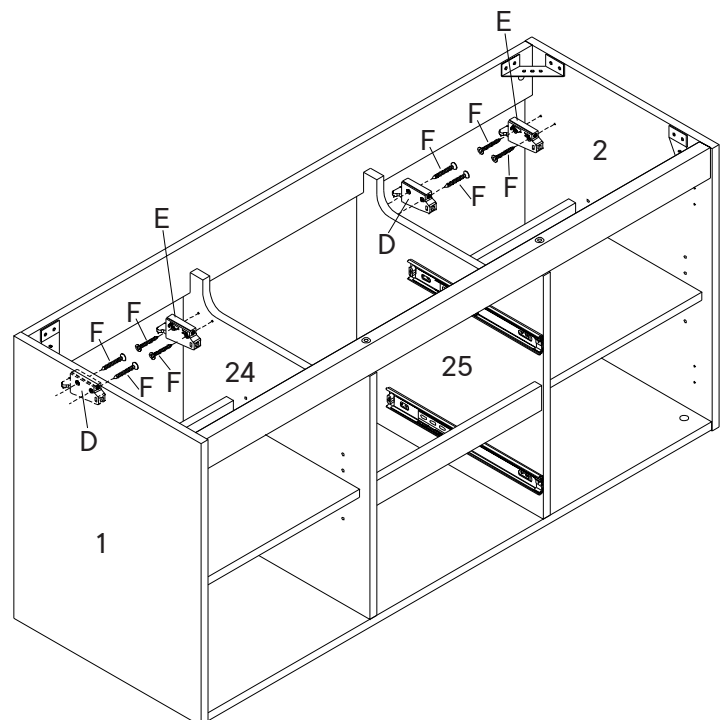
Step 20

HARDWARE

- D** Bracket-L/Hanger x2
- E** Bracket-R/Hanger x2
- F** Screw 4 x 28mm x8

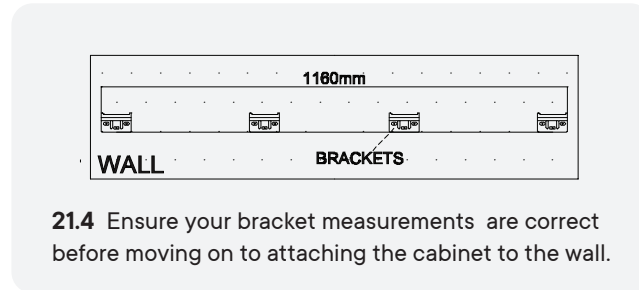
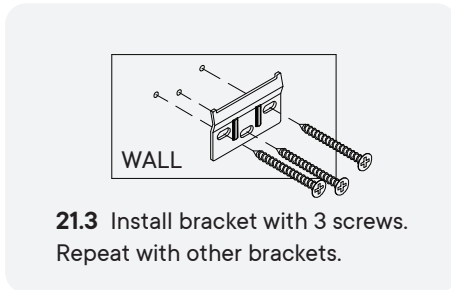
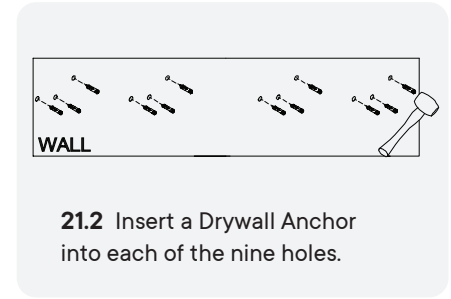
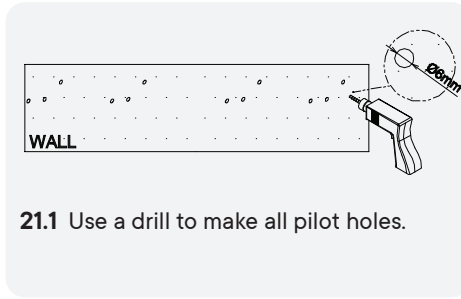
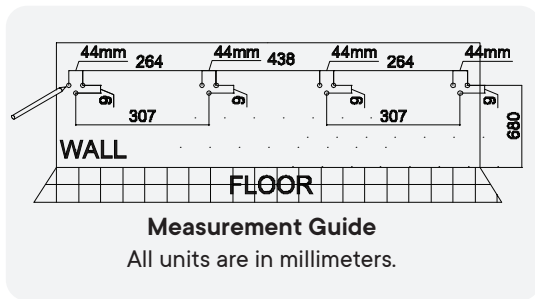
COMPONENTS

- 1** Left Side Panel x1
- 2** Right Side Panel x1
- 24** Divider Panel L x1
- 25** Divider Panel R x1

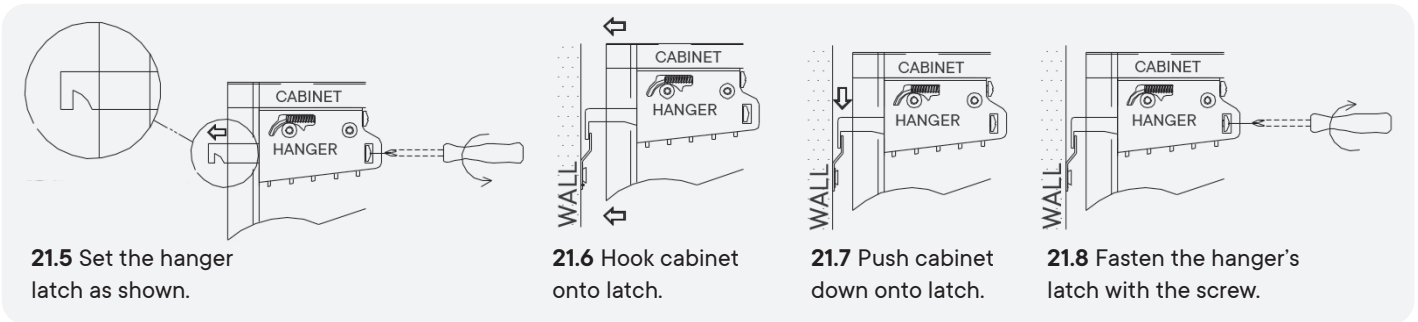


Step 21

Wall Bracket Installation Guide

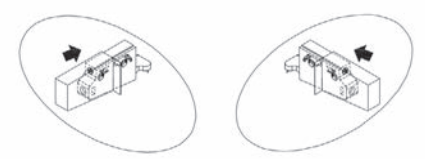
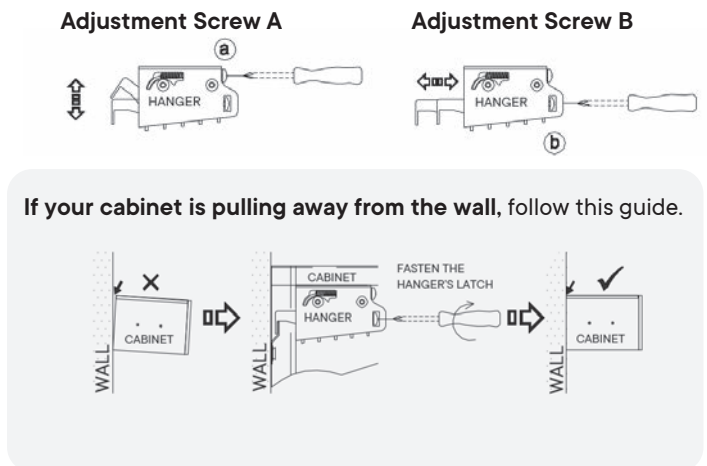
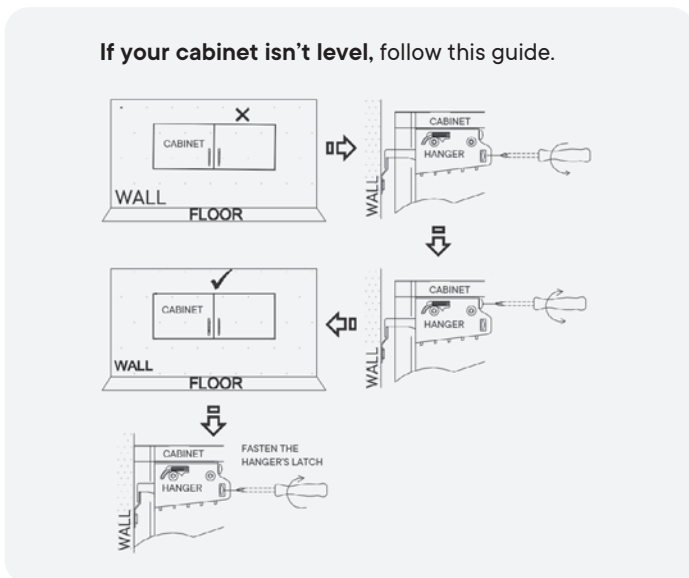


Cabinet-to-Wall Installation Guide



Is the cabinet not hanging quite right?

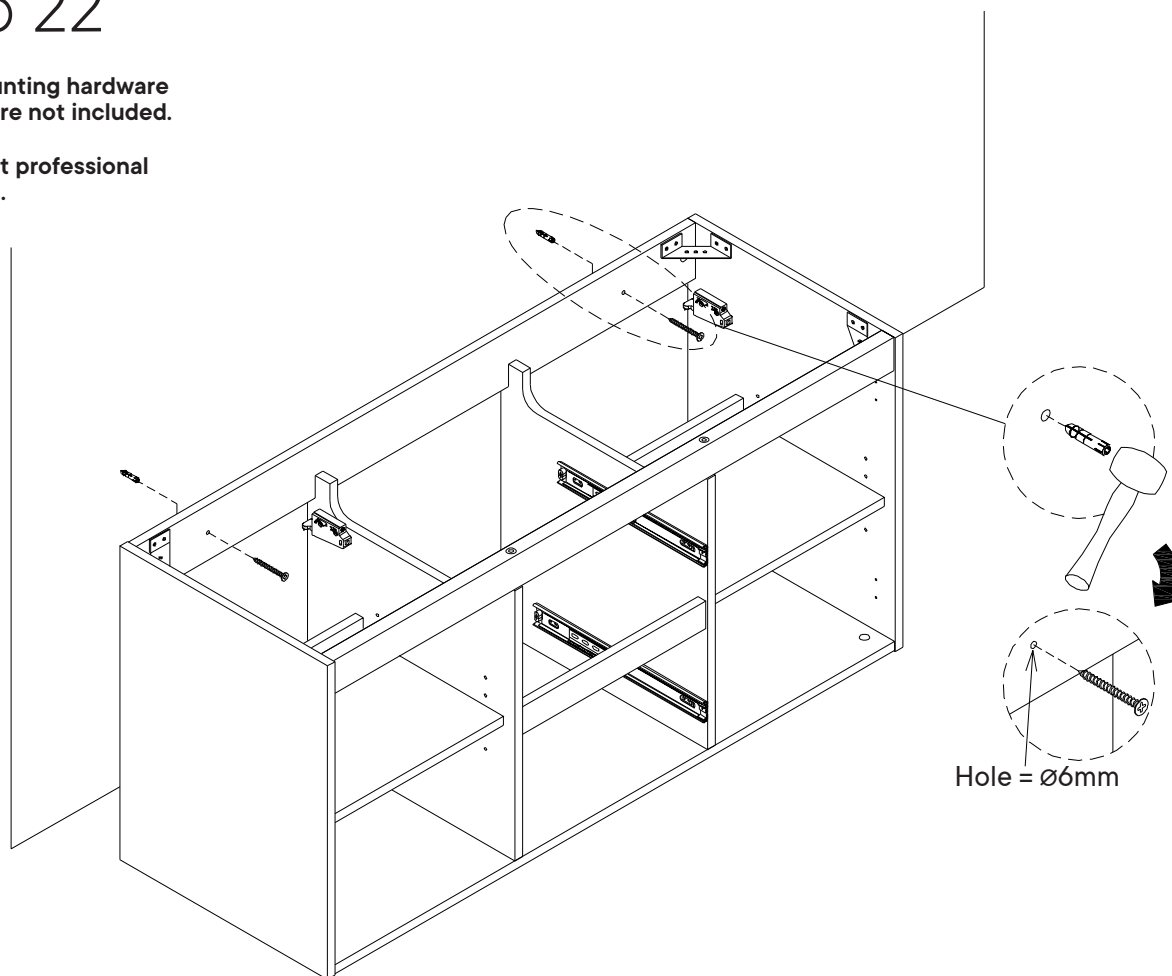
Here are some adjustment tips.



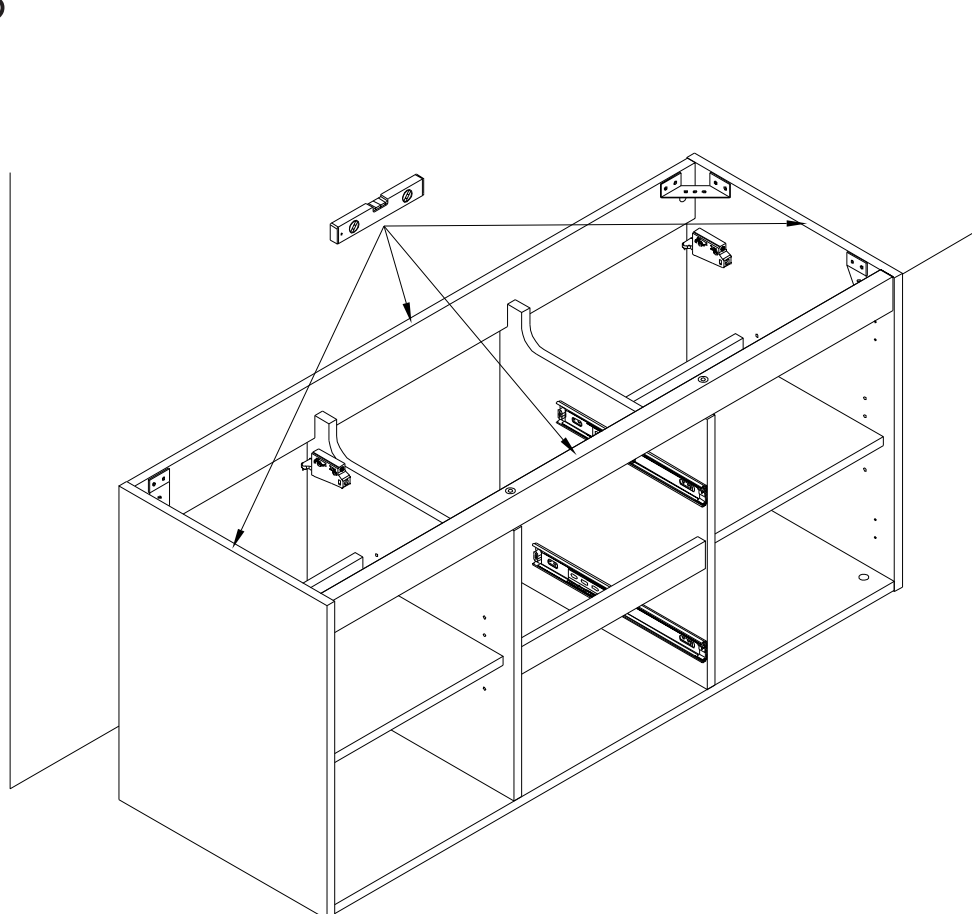
Step 22

NOTE: Mounting hardware and tools are not included.

We suggest professional installation.



Step 23



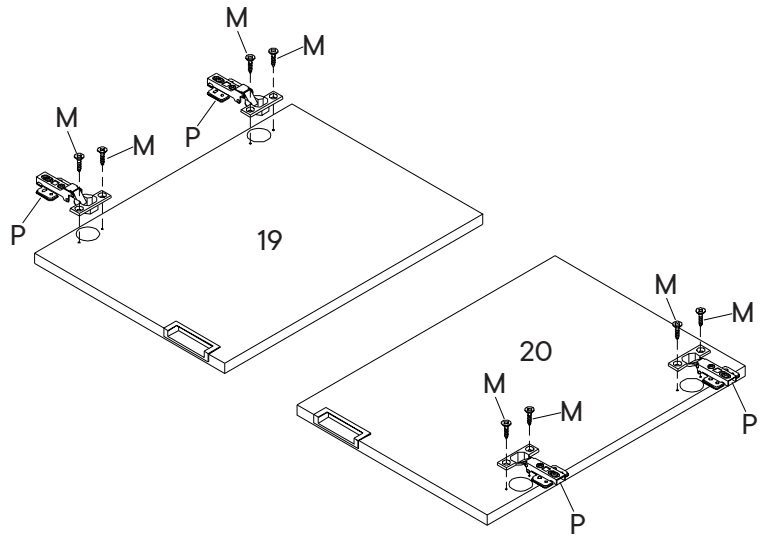
Step 24

HARDWARE

- M** Screw 4 x 14mm x8
- P** Door Hinge x4

COMPONENTS

- 19** Door Panel Left x1
- 20** Door Panel Right x1



Step 25

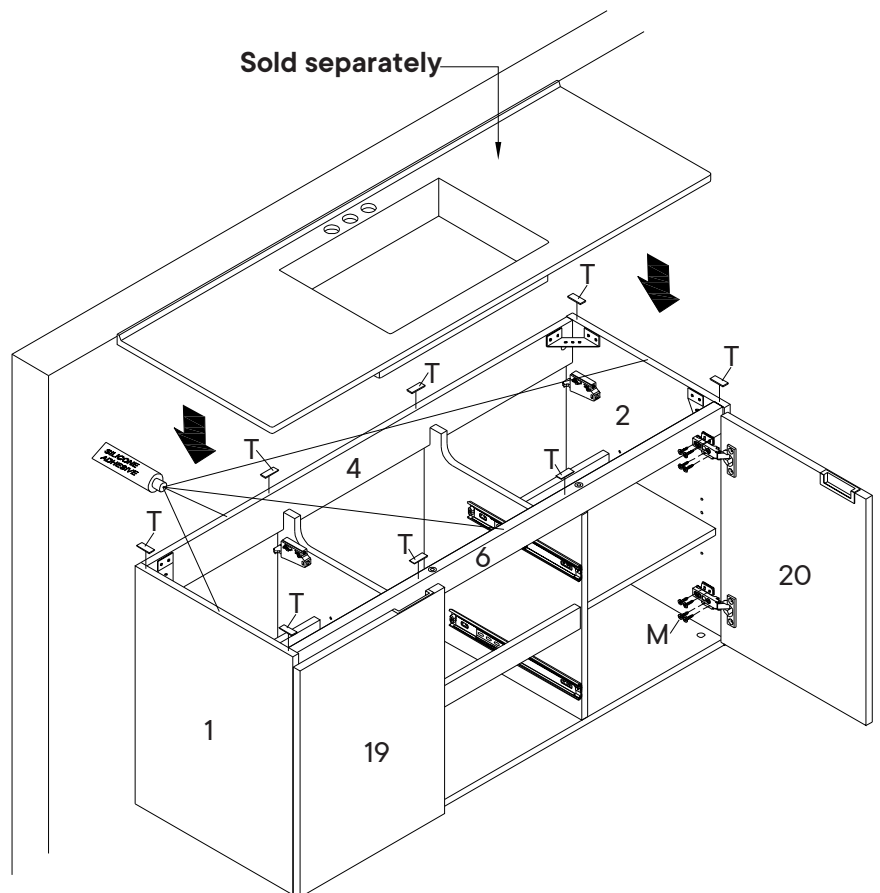
HARDWARE

- M** Screw 4 x 14mm x16
- T** Rubber Pad x8

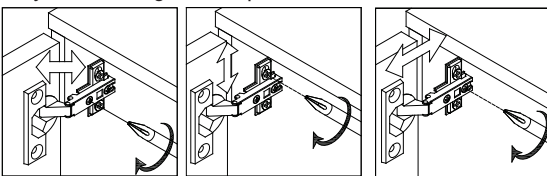
COMPONENTS

- 19** Door Panel Left x1
- 20** Door Panel Right x1

Sold separately



Adjust the hinges, if required.



Adjust laterally Adjust height Adjust depth

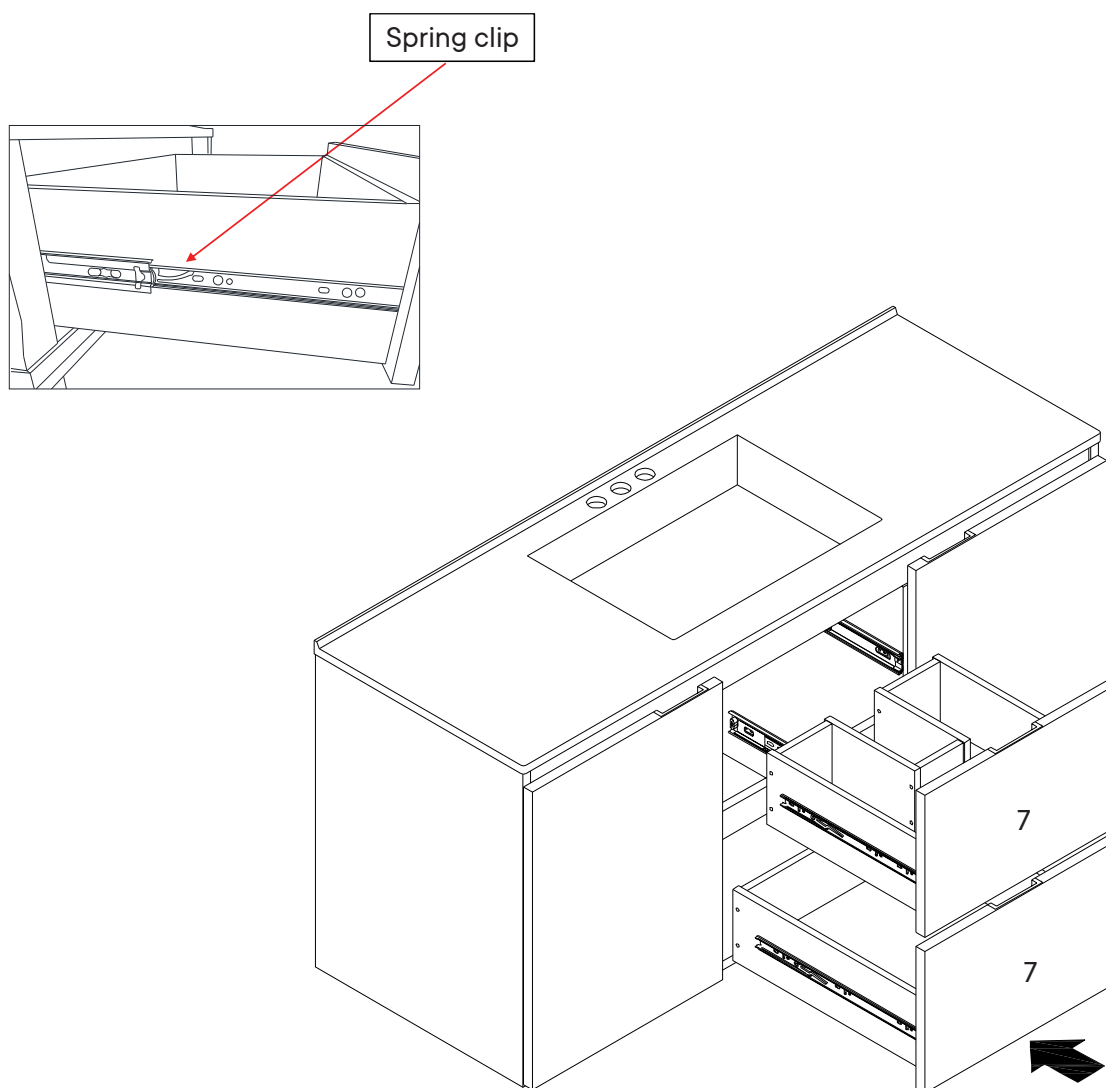
Temporarily remove/dismantle the Door & Shelf during Basin/Sink/Plumbing work installation work to prevent water damage.

Step 26

The drawer(s) can be removed, if ever required.

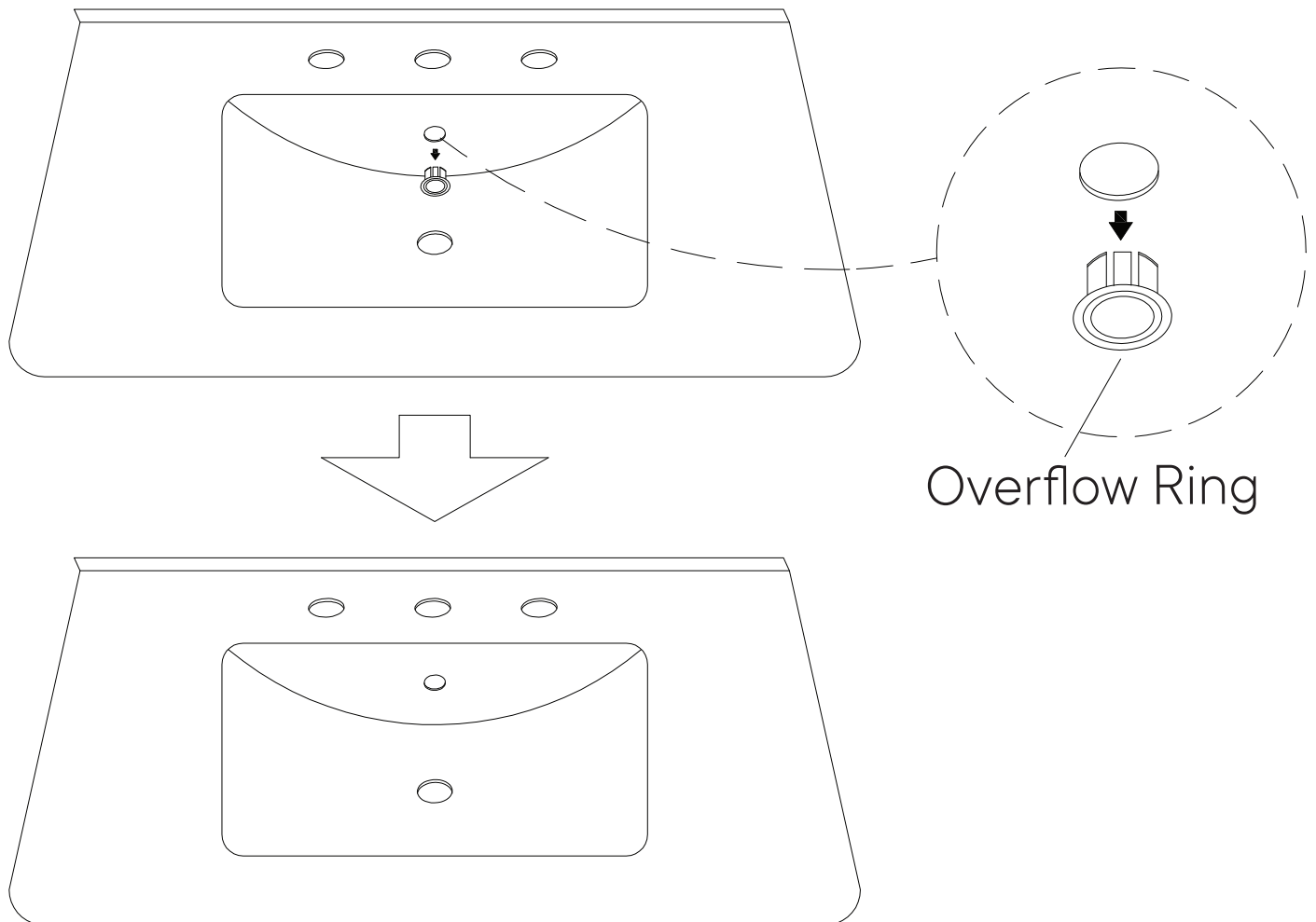
Locate the spring clip on both sides on the drawer glide.
At the same time, press the clips and pull the drawer out.

To reinsert, simply align the 2 sides of the drawer glides
and slide in until fully inserted.



A quick note...

Your sink basin comes complete with a silver overflow ring.
If you'd like to remove this overflow ring, you can do so by hand.



Wait!

Missing parts or hardware? Need assistance?
Contact us before returning your item. We're here to help!
609.256.9000 • cs@modway.com

Great job!

Cabinet assembly is complete.

♥ CARING FOR YOUR ITEM

Indoor use only.

Not contract grade.

Clean using a non-abrasive cloth and a mild cleaner.

Never use harsh chemicals, as they could damage the finish or integrity of the item.

CONNECT WITH US!   

Tag us @modway_furniture and #modway for a chance to be featured.

