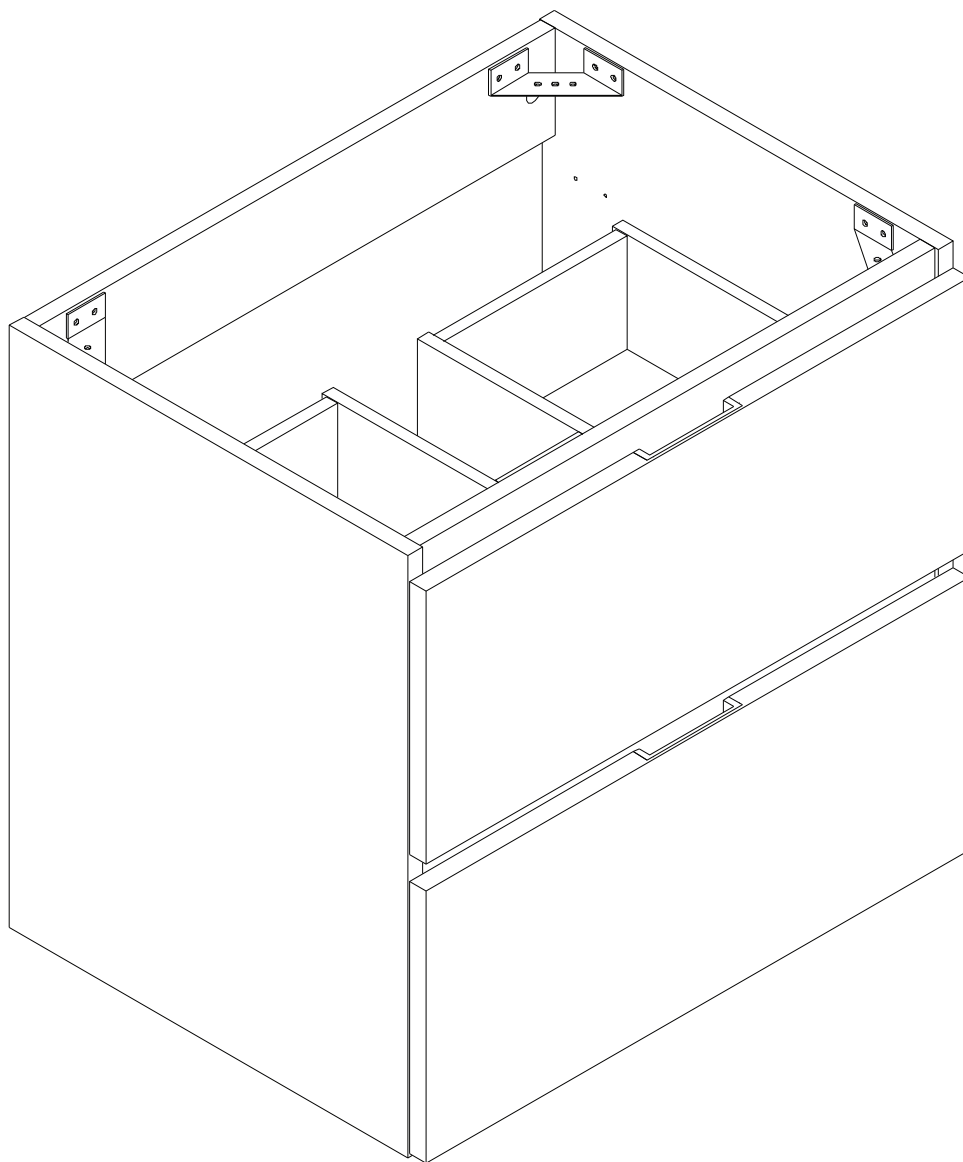


ASSEMBLY INSTRUCTIONS

EEI-5879

V1.01.24.22



Questions? Contact us!

609.256.9000 • cs@modway.com
www.modway.com

*modway

Let's get started!

*modway



Read through all of the instructions before starting



Care instructions are listed in the last step of this manual



Approx. 90 minutes assembly time



Make sure you have all parts and components before discarding any packing materials



2 people recommended for assembly

Only use hand tools to assemble this item. Do not use power tools. Do not tighten bolts or screws completely until all hardware is lined up and inserted into the holes.

Do not over-tighten screws and bolts to avoid stripping the hardware or cracking the item.

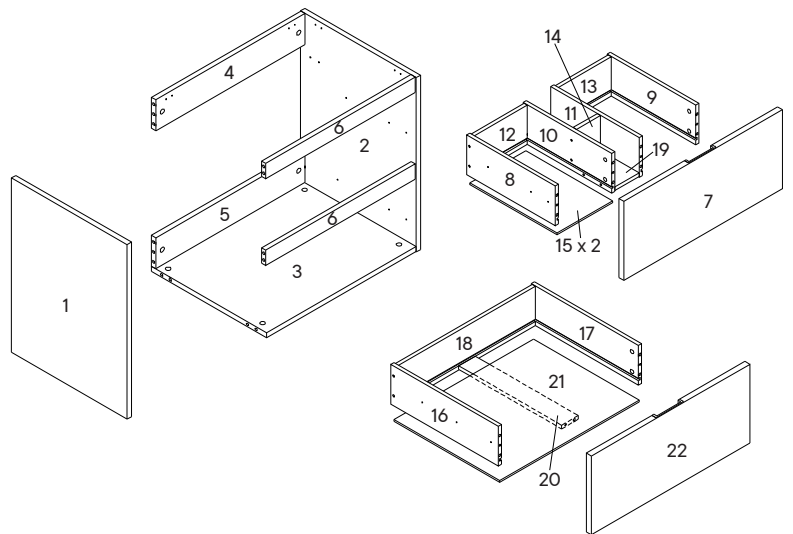
For vanity and plumbing installation, we suggest hiring a professional contractor and plumber.

Assemble your item on a flat, carpeted area, with plenty of space to work. This will prevent damage and scratches to your floors or the item while you're assembling the product.

Keep all components and packaging out of reach of children or animals to avoid risk of choking or suffocation.

Furniture components:

1	Left Side Panel	x1	12	Drawer Back 1	x1
2	Right Side Panel	x1	13	Drawer Back 2	x1
3	Bottom Panel	x1	14	Drawer Back 3	x1
4	Back Panel 1	x1	15	Drawer Panel 1	x2
5	Back Panel 2	x1	16	Drawer Side L 3	x1
6	Front Rail	x2	17	Drawer Side R 3	x1
7	Drawer Front 1	x1	18	Drawer Back 4	x1
8	Drawer Side L 1	x1	19	Drawer Panel 2	x1
9	Drawer Side R 1	x1	20	Drawer Support	x1
10	Drawer Side L 2	x1	21	Drawer Panel 3	x1
11	Drawer Side R 2	x1	22	Drawer Front 2	x1



Provided hardware:

A		Wood Dowel M8 x 25mm	x16
B		Cam Bolt Ø6 x 24mm	x25
C		Cam Lock Ø15	x12
D		Bracket/L-Hanger	x1
E		Bracket/R-Hanger	x1
F		Screw 4 x 28mm	x4
G		Bearing Runner 350mm	x1 Pair

H		Bearing Runner 300mm	x1 Pair
I		Screw 4 x 12mm	x24
J		Cam Lock Ø12	x13
K		Wood Dowel M6 x 25mm	x11
L		Screw 9 x 38mm	x18
M		Screw 4 x 14mm	x16
N		Corner Bracket	x4

O		Rubber Pad	x4
---	--	------------	----

What you need:

	Phillips Head Screwdriver
--	---------------------------

You may also need:

- + Power Drill
- + Level
- + Silicone Adhesive or Caulk
- + Drywall Anchors and Screws
- + Other Wall-Mounting Hardware

Wait!

Missing parts or hardware? Need assistance?
Contact us before returning your item. We're here to help!
609.256.9000 • cs@modway.com

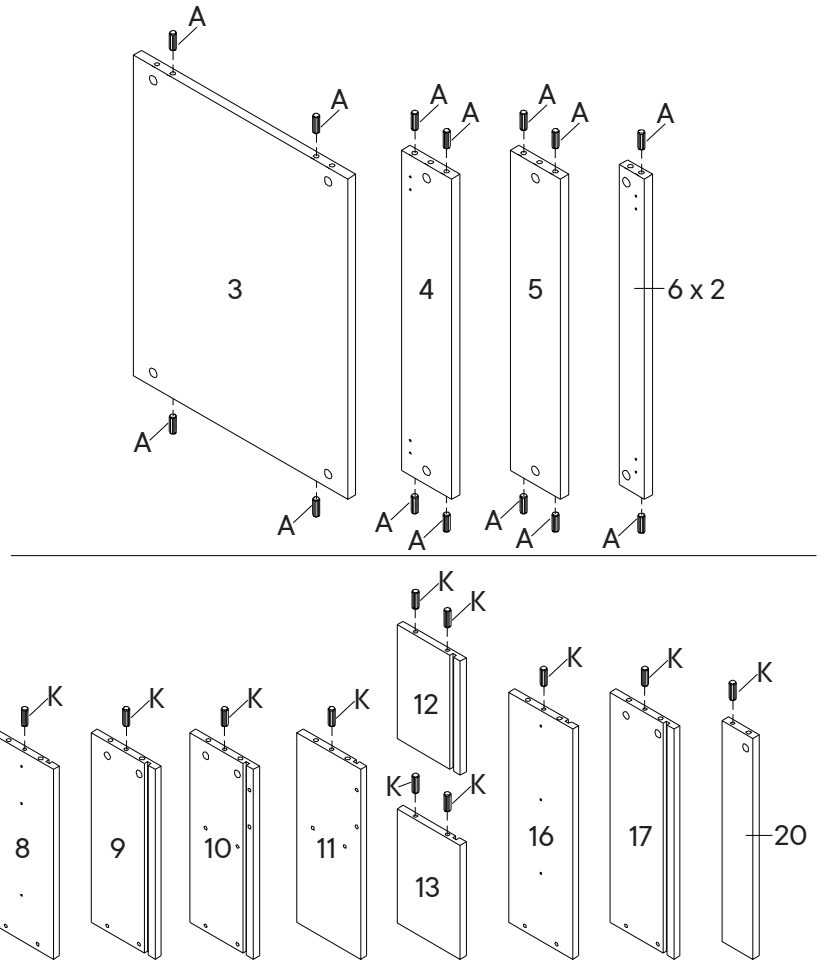
Step 1

HARDWARE

- A** Wood Dowel M8 x 25mm x16
- K** Wood Dowel M6 x 25mm x11

COMPONENTS

- 3** Bottom Panel x1
- 4** Back Panel 1 x1
- 5** Back Panel 2 x1
- 6** Front Rail x2
- 8** Drawer Side L 1 x1
- 9** Drawer Side R 1 x1
- 10** Drawer Side L 2 x1
- 11** Drawer Side R 2 x1
- 12** Drawer Back 1 x1
- 13** Drawer Back 2 x1
- 16** Drawer Side L 3 x1
- 17** Drawer Side R 3 x1
- 20** Drawer Support x1



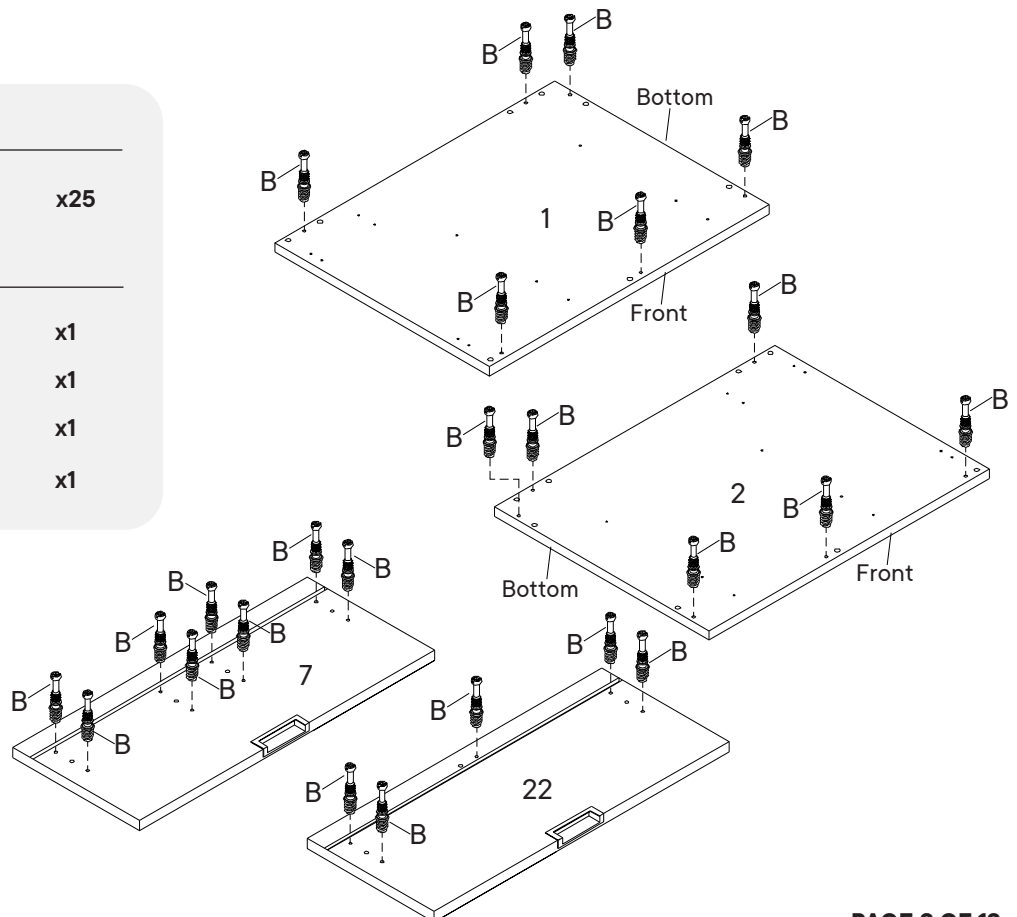
Step 2

HARDWARE

- B** Cam Bolt $\varnothing 6 \times 24\text{mm}$ x25

COMPONENTS

- 1** Left Side Panel x1
- 2** Right Side Panel x1
- 7** Drawer Front 1 x1
- 22** Drawer Front 2 x1



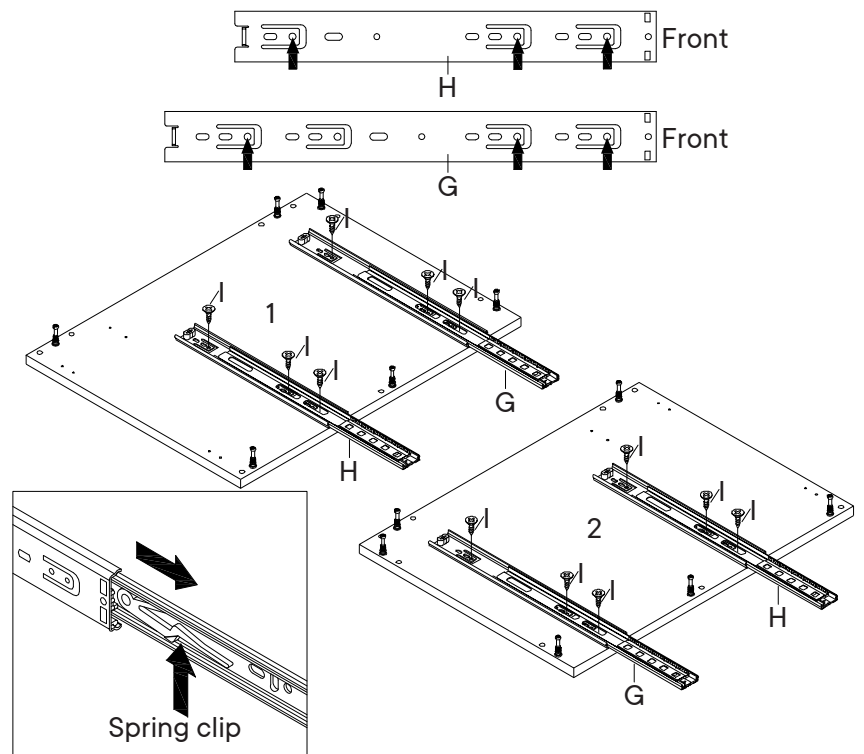
Step 3

HARDWARE

- G** Bearing Runner 350mm x1 Pair
- H** Bearing Runner 300mm x1 Pair
- I** Screw 4 x 12mm x12

COMPONENTS

- 1** Left Side Panel x1
- 2** Right Side Panel x1



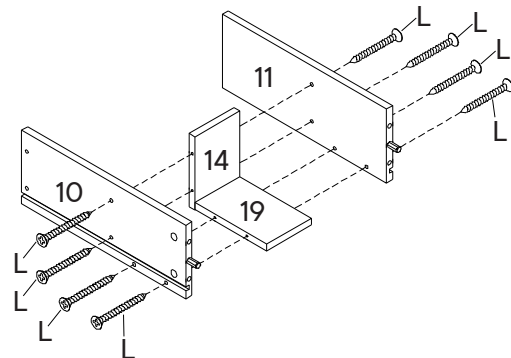
Step 4

HARDWARE

- L** Screw 9 x 38mm x8

COMPONENTS

- 10** Drawer Side L 2 x1
- 11** Drawer Side R 2 x1
- 14** Drawer Back 3 x1
- 19** Drawer Panel 2 x1



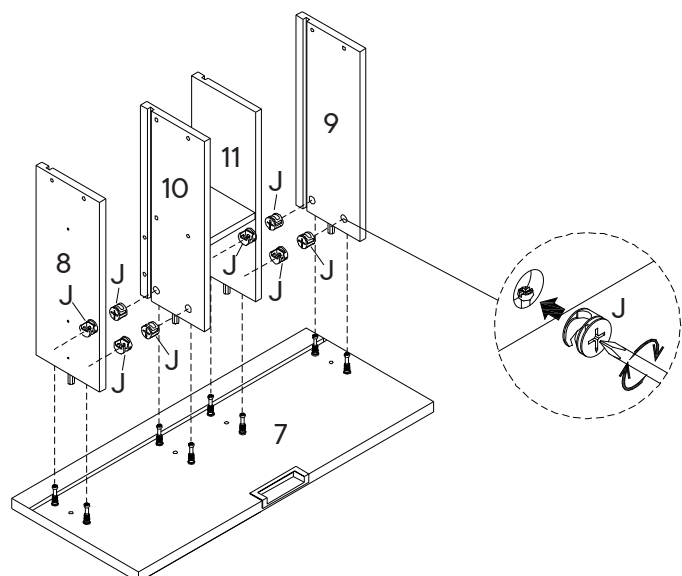
Step 5

HARDWARE

- J** Cam Lock Ø12 x8

COMPONENTS

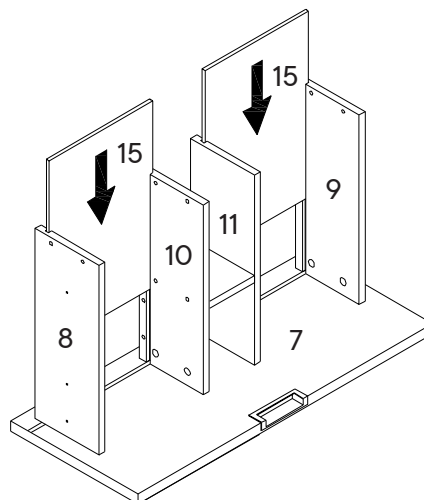
- 7** Drawer Front x1
- 8** Drawer Side L 1 x1
- 9** Drawer Side R 1 x1
- 10** Drawer Side L 2 x1
- 11** Drawer Side R 2 x1



Step 6

COMPONENTS

- 15 Drawer Panel 1 x2



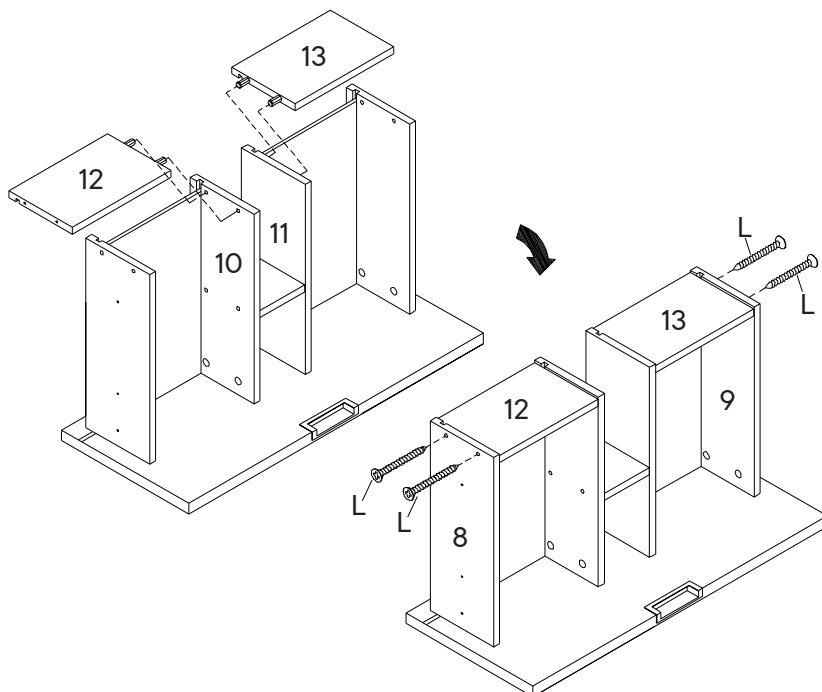
Step 7

HARDWARE

- L Screw 9 x 38mm x4

COMPONENTS

- 12 Drawer Back 1 x1
- 13 Drawer Back 2 x1



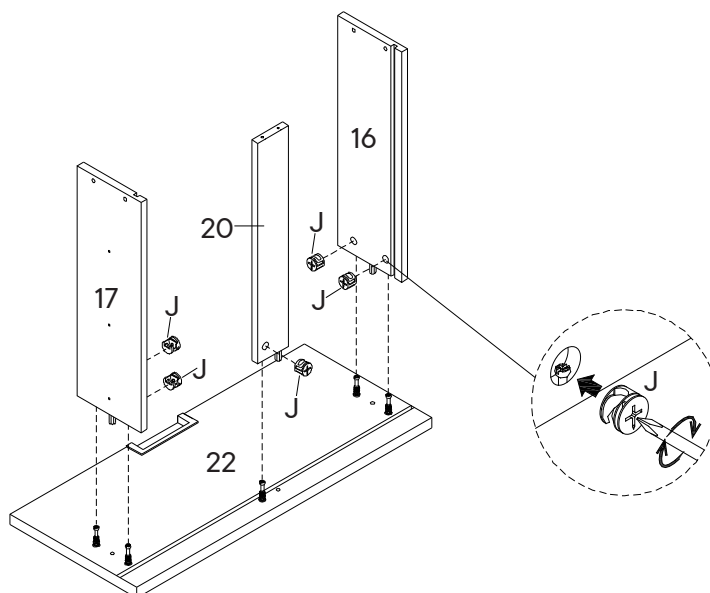
Step 8

HARDWARE

- J Cam Lock Ø12 x5

COMPONENTS

- 16 Drawer Side L 3 x1
- 17 Drawer Side R 3 x1
- 20 Drawer Support x1
- 22 Drawer Front 2 x1



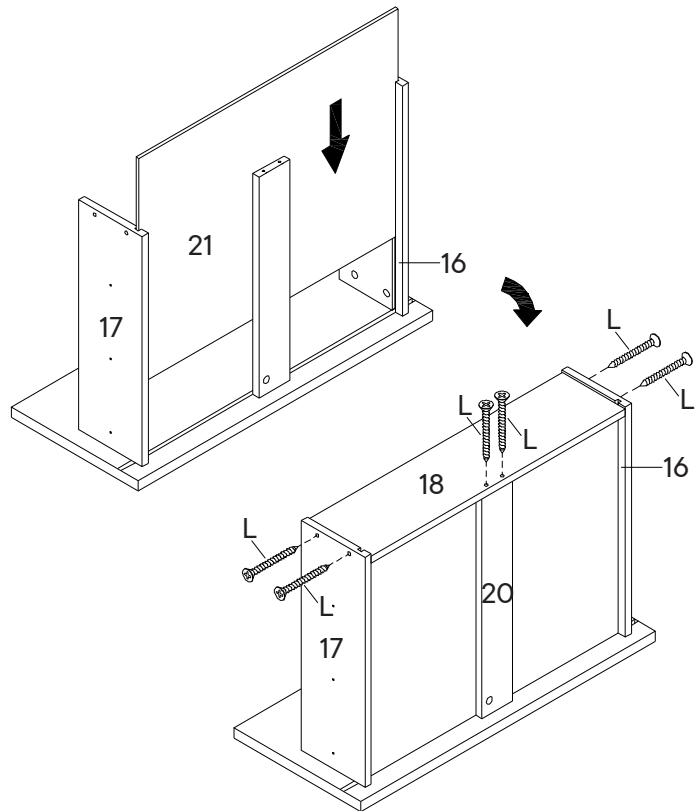
Step 9

HARDWARE

- L** Screw 9 x 38mm x6

COMPONENTS

- 18** Drawer Back 4 x1
- 21** Drawer Panel 3 x1



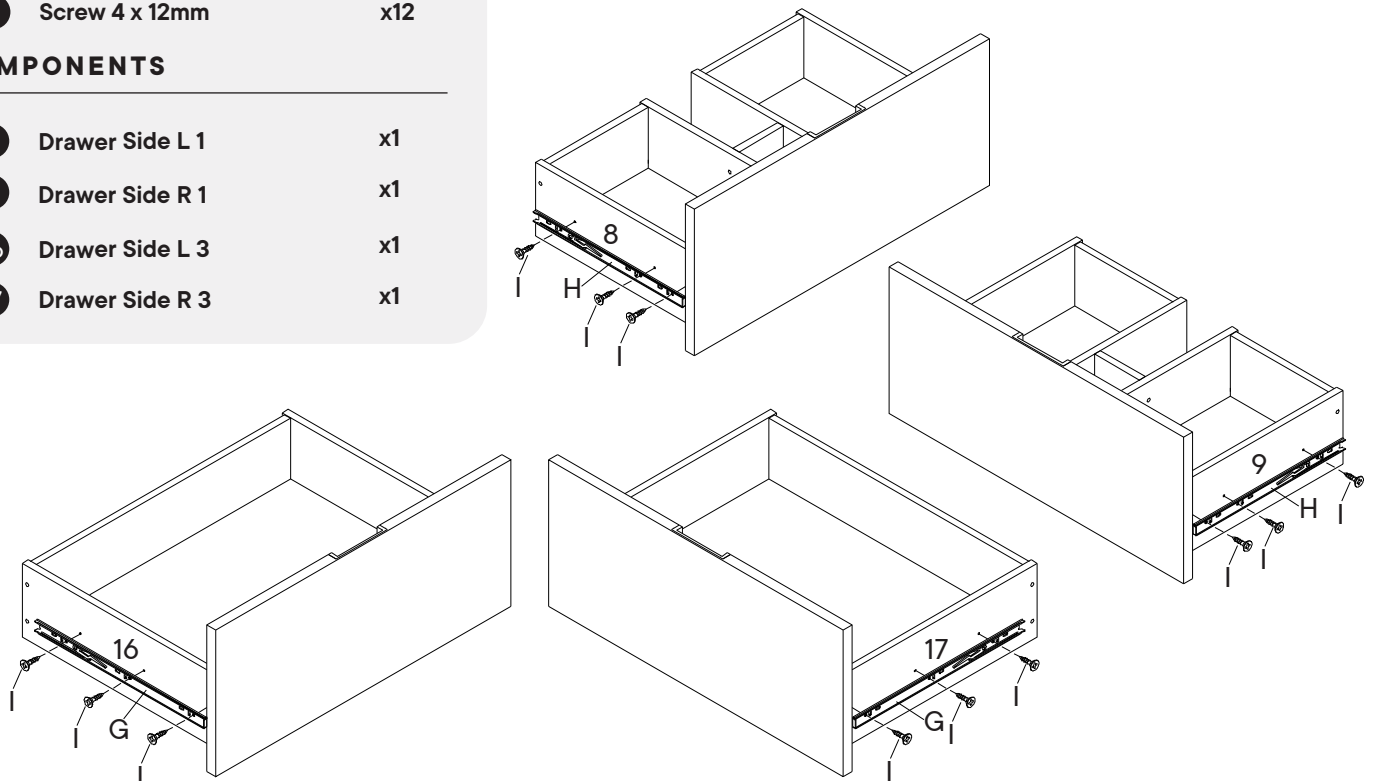
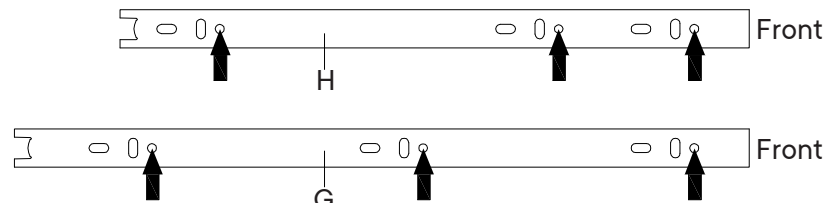
Step 10

HARDWARE

- G** Bearing Runner 350mm x1 Pair
- H** Bearing Runner 300mm x1 Pair
- I** Screw 4 x 12mm x12

COMPONENTS

- 8** Drawer Side L 1 x1
- 9** Drawer Side R 1 x1
- 16** Drawer Side L 3 x1
- 17** Drawer Side R 3 x1



Step 11

HARDWARE

C Cam Lock Ø15 x6

COMPONENTS

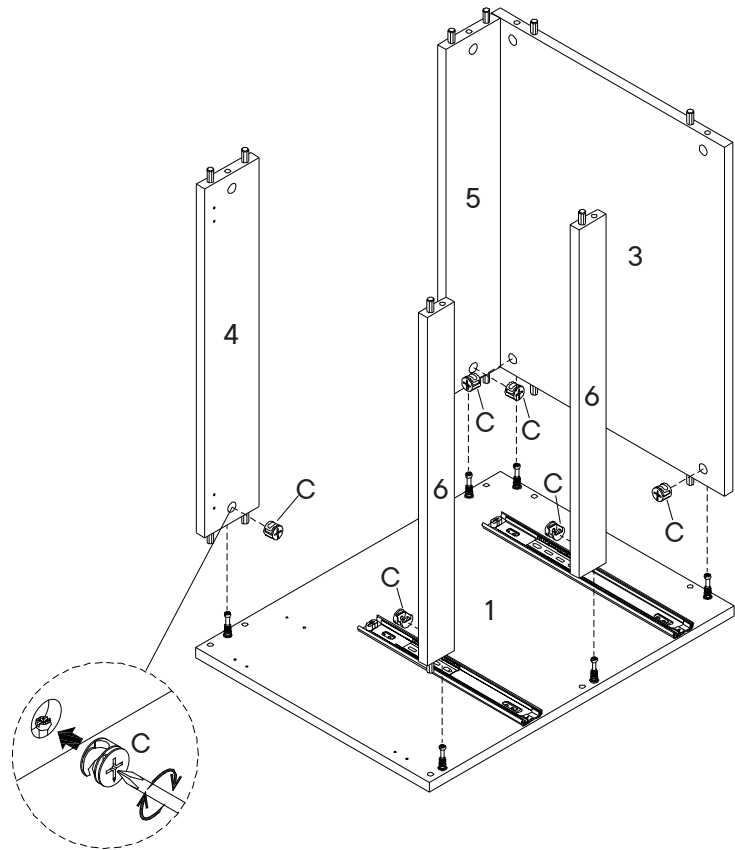
1 Left Side Panel x1

3 Bottom Panel x1

4 Back Panel 1 x1

5 Back Panel 2 x1

6 Front Rail x2



Step 12

HARDWARE

C Cam Lock Ø15 x6

COMPONENTS

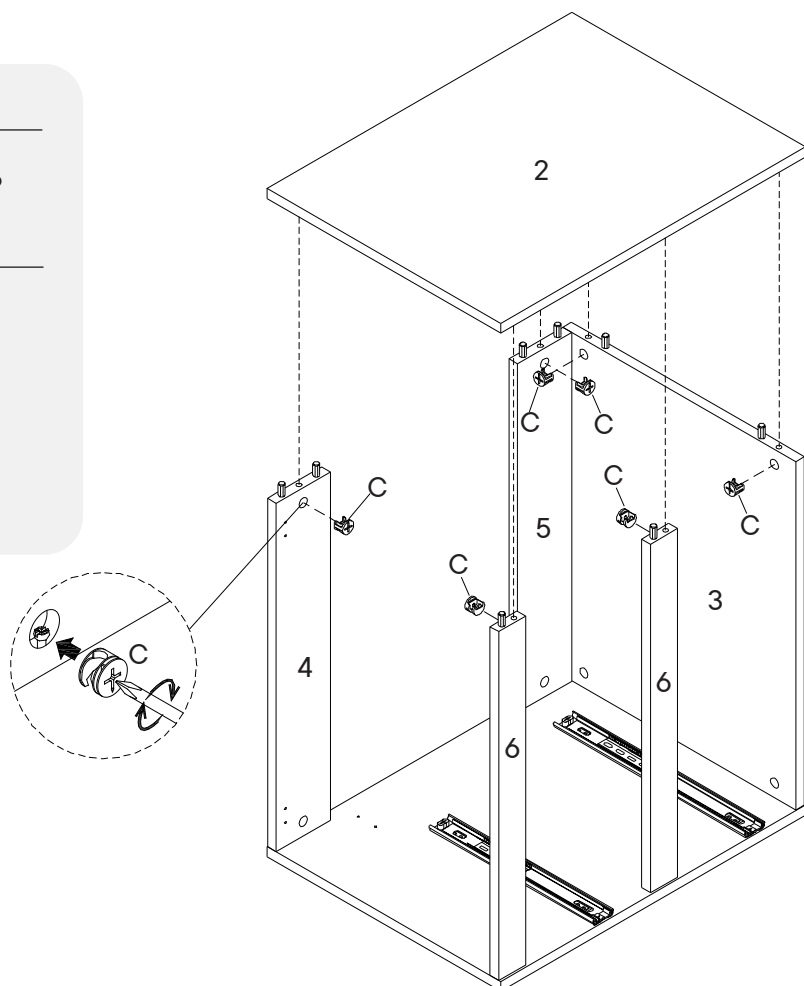
2 Right Side Panel x1

3 Bottom Panel x1

4 Back Panel 1 x1

5 Back Panel 2 x1

6 Front Rail x2



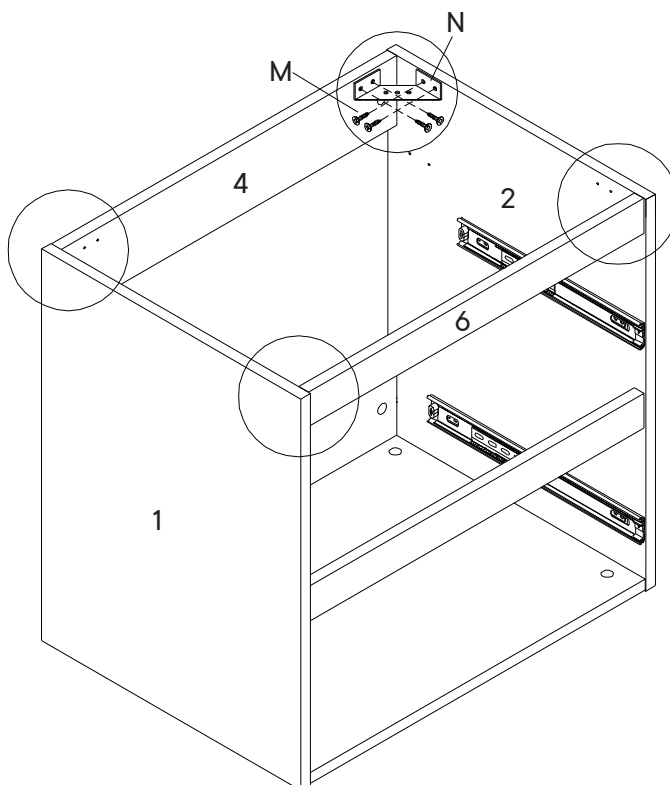
Step 13

HARDWARE

- M** Screw 4 x 14mm x16
- N** Corner Bracket x4

COMPONENTS

- 1** Left Side Panel x1
- 2** Right Side Panel x1
- 4** Back Panel 1 x1
- 6** Front Rail x1



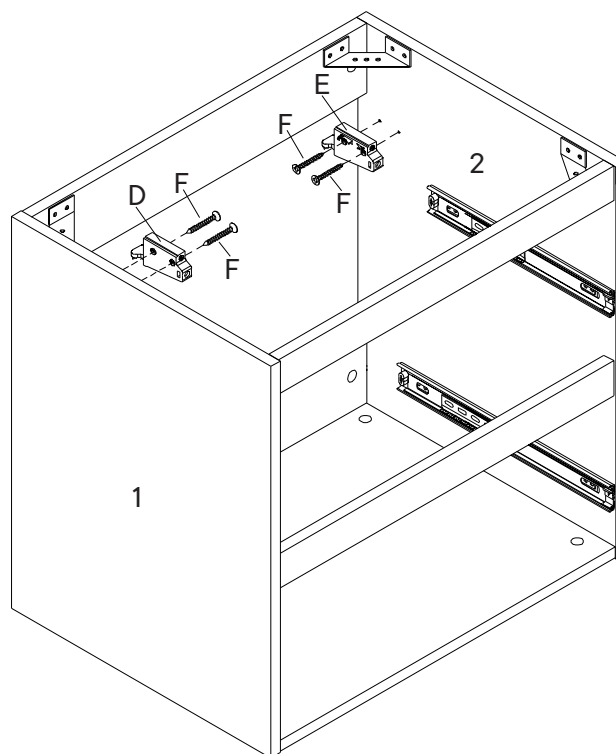
Step 14

HARDWARE

- D** Bracket-L/Hanger x1
- E** Bracket-R/Hanger x1
- F** Screw 4 x 28mm x4

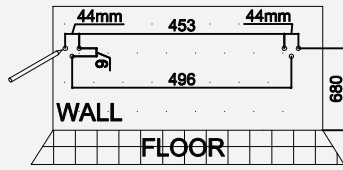
COMPONENTS

- 1** Left Side Panel x1
- 2** Right Side Panel x1

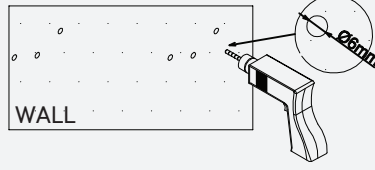


Step 15

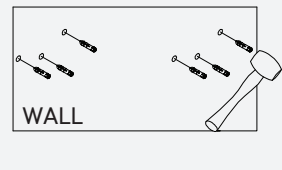
Wall Bracket Installation Guide



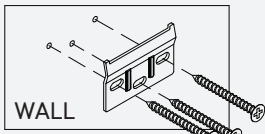
Measurement Guide
All units are in millimeters.



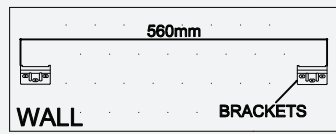
15.1 Use a drill to make all pilot holes.



15.2 Insert a Drywall Anchor into each of the nine holes.

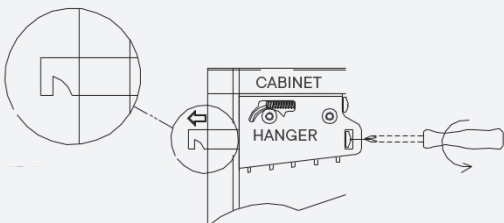


15.3 Install bracket with 3 screws.
Repeat with other brackets.

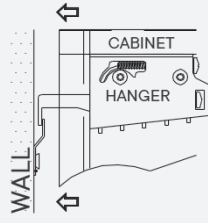


15.4 Ensure your bracket measurements are correct before moving on to attaching the cabinet to the wall.

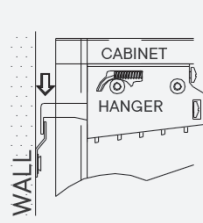
Cabinet-to-Wall Installation Guide



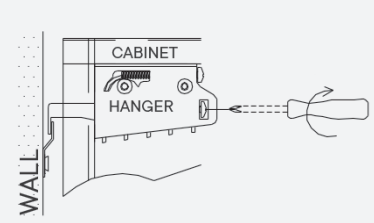
15.5 Set the hanger latch as shown.



15.6 Hook cabinet onto latch.



15.7 Push cabinet down onto latch.

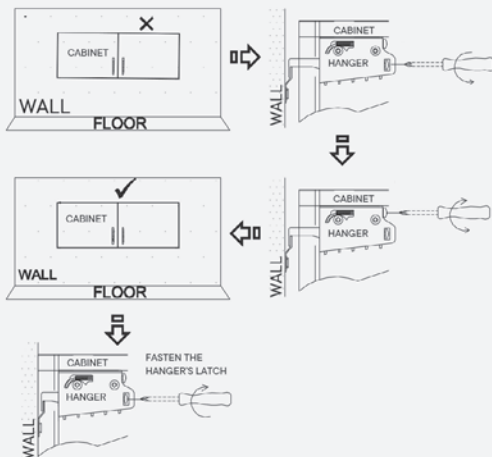


15.8 Fasten the hanger's latch with the screw.

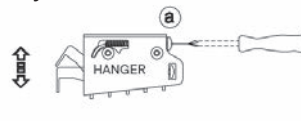
Is the cabinet not hanging quite right?

Here are some adjustment tips.

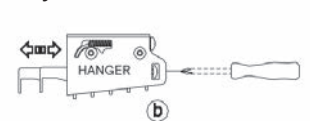
If your cabinet isn't level, follow this guide.



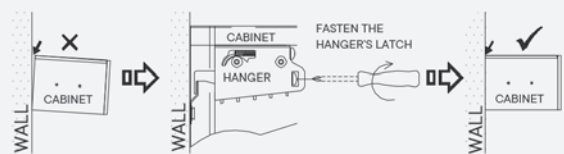
Adjustment Screw A



Adjustment Screw B



If your cabinet is pulling away from the wall, follow this guide.



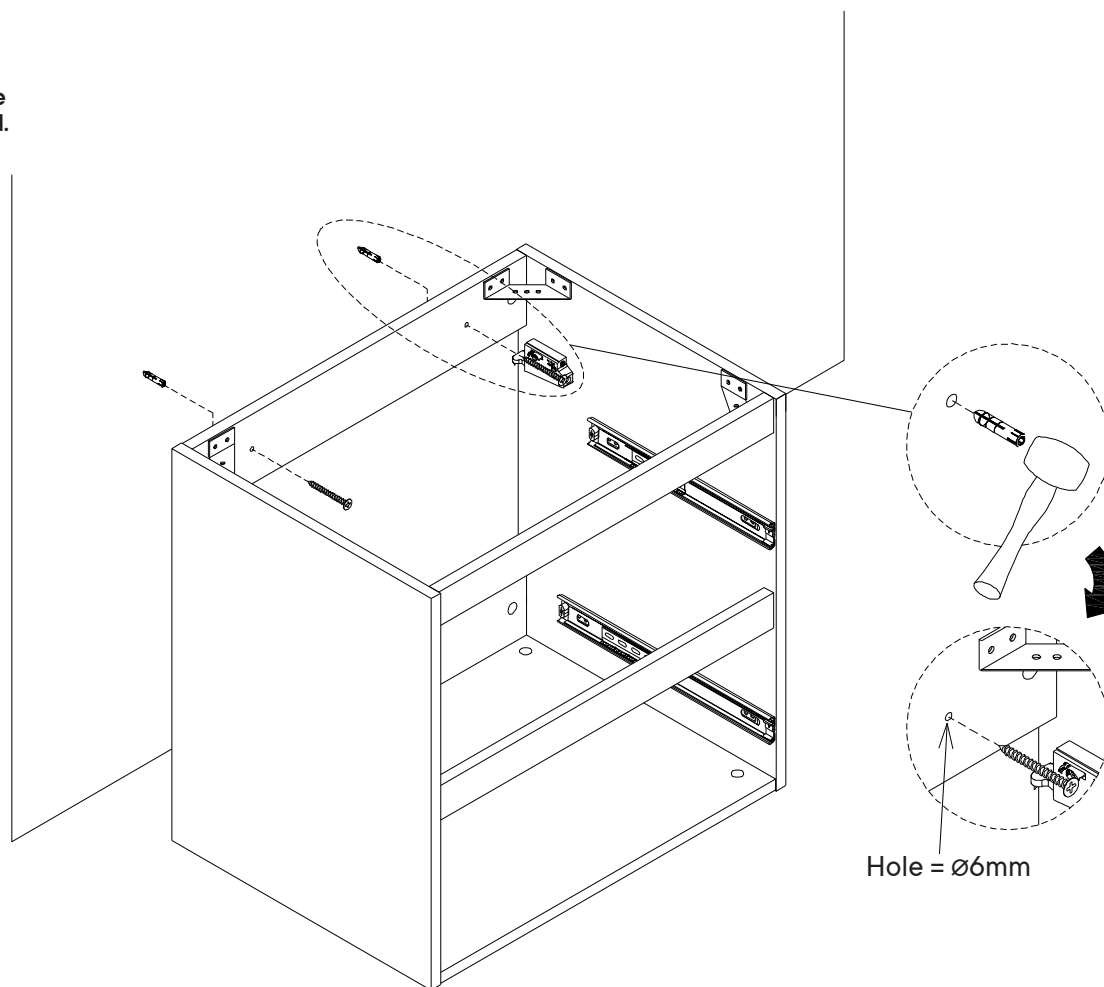
15.9 Once the cabinet is installed and adjusted, install the latch covers.



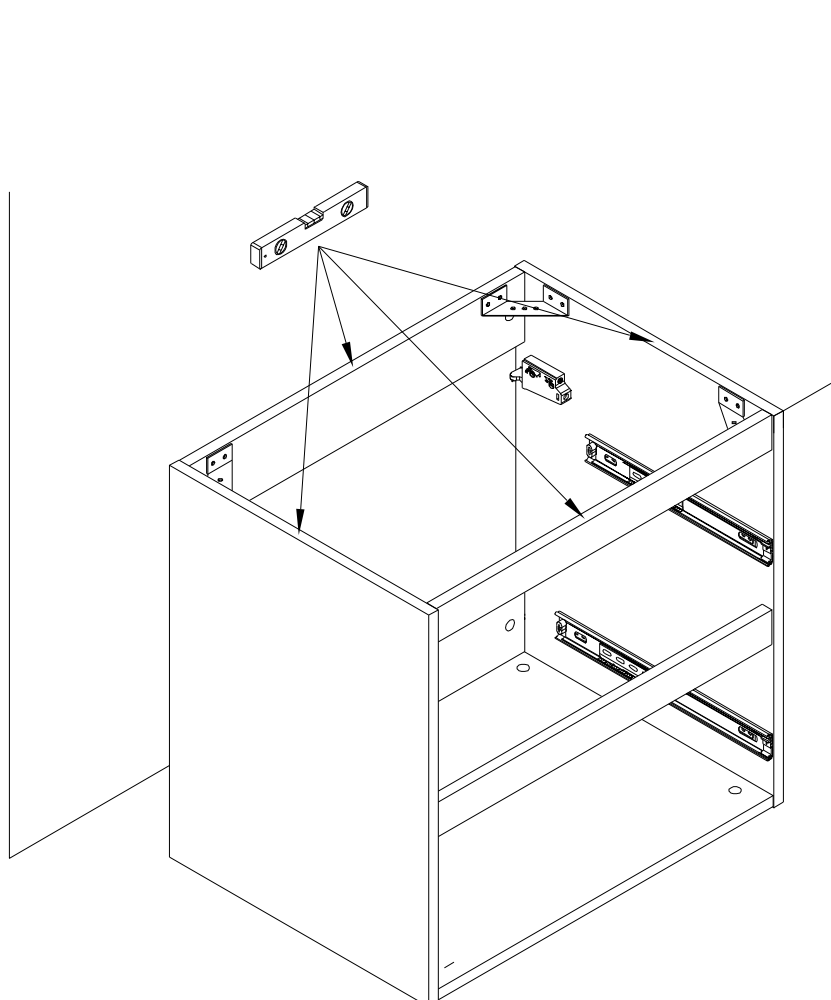
Step 16

NOTE: Mounting hardware and tools are not included.

We suggest professional installation.




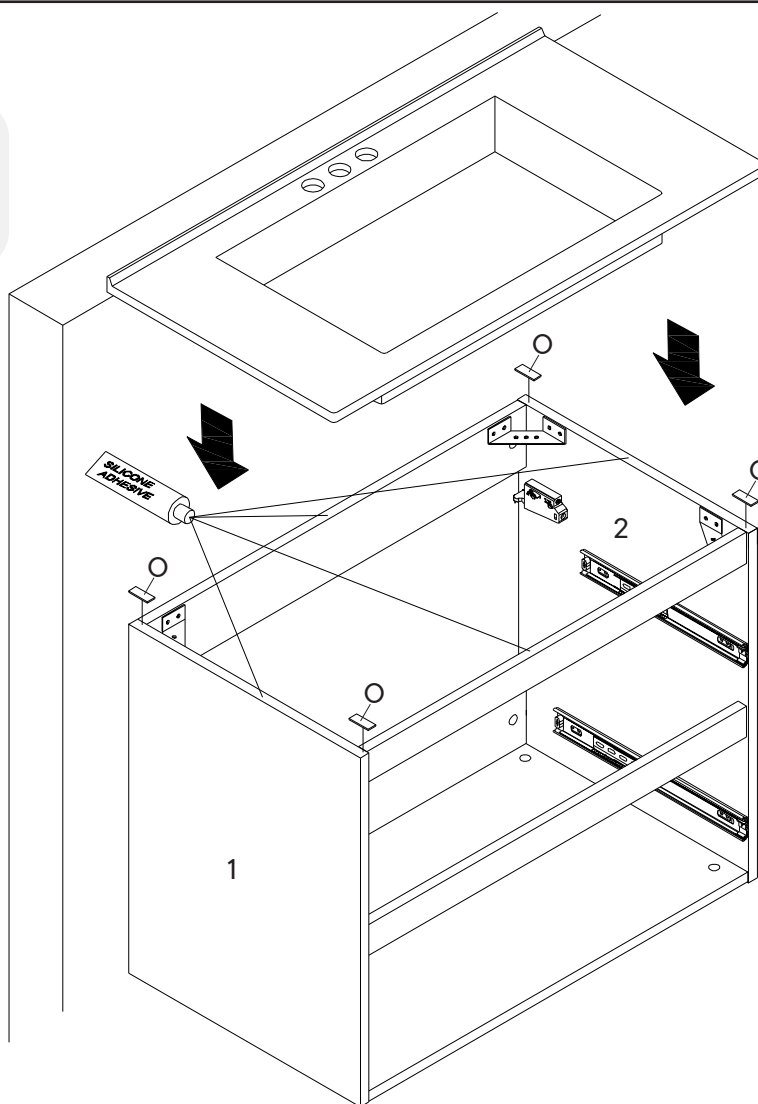
Step 17



Step 18

HARDWARE

-  Rubber Pad x4

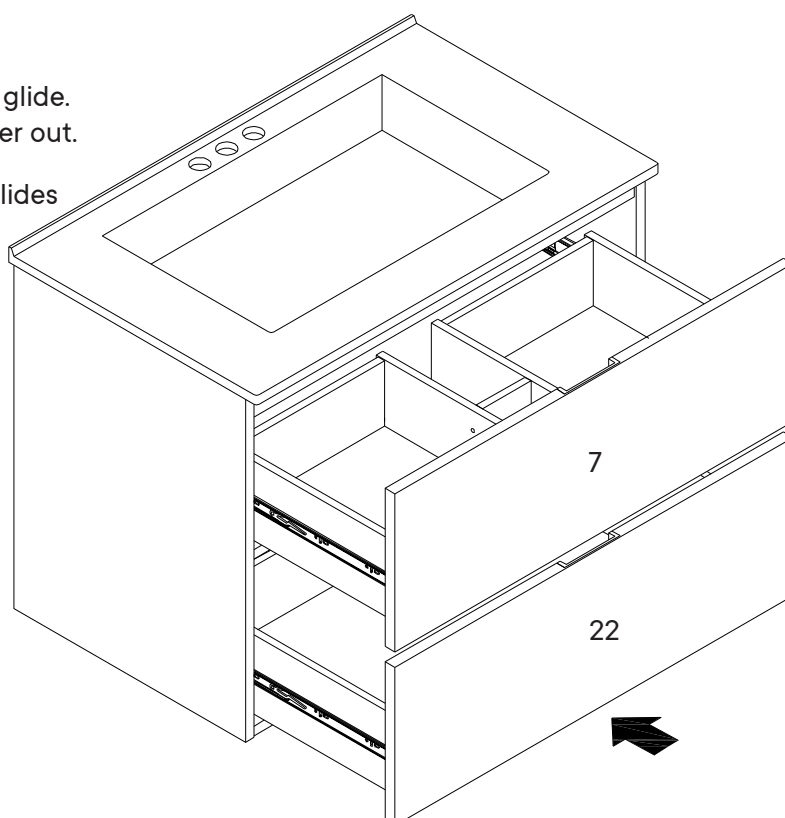
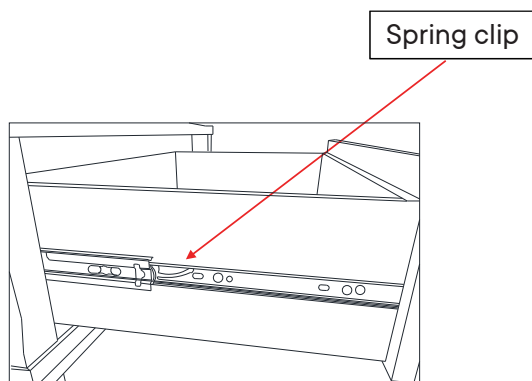


Step 19

The drawer(s) can be removed, if ever required.

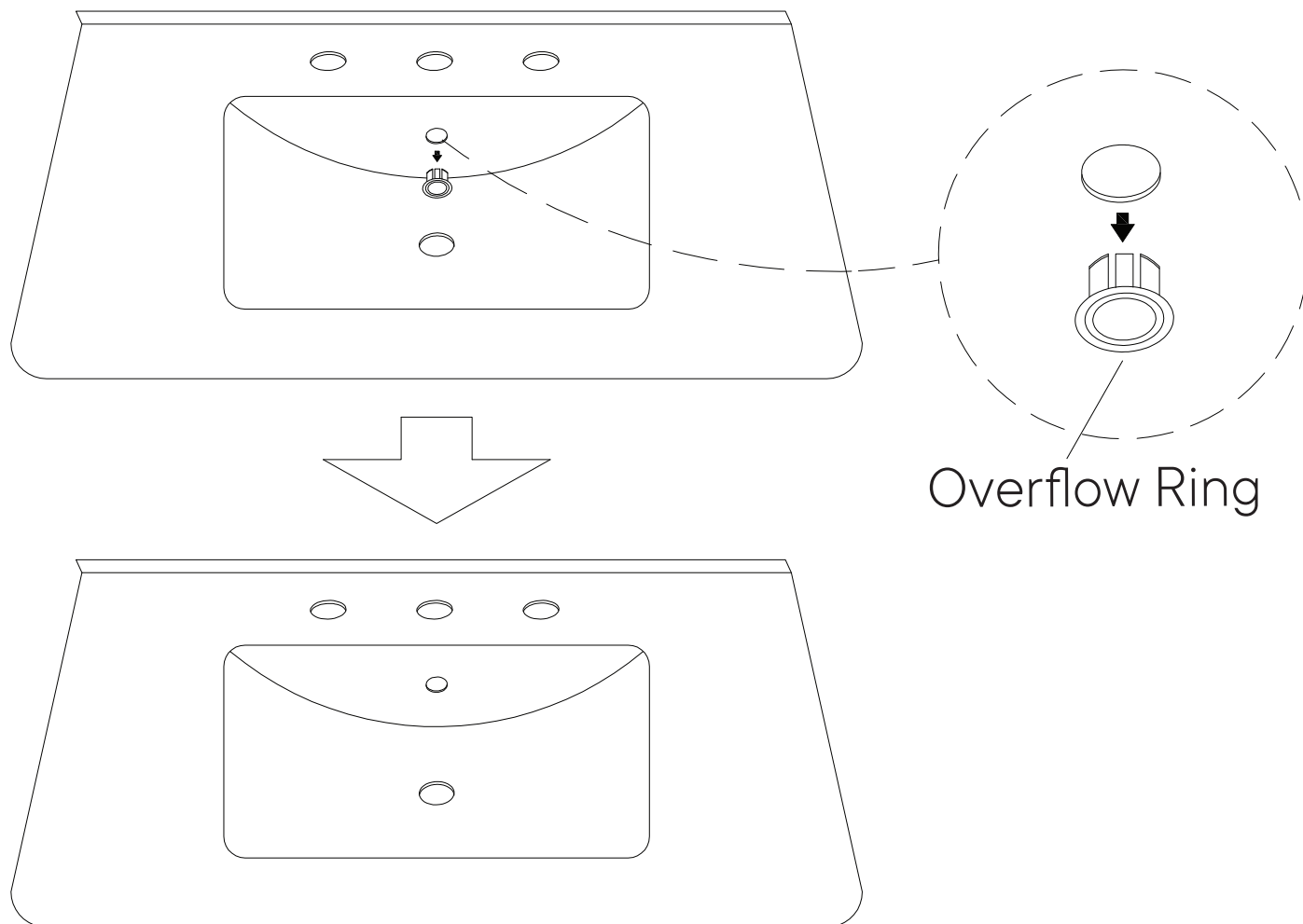
Locate the spring clip on both sides on the drawer glide.
At the same time, press the clips and pull the drawer out.

To reinsert, simply align the 2 sides of the drawer glides
and slide in until fully inserted.



A quick note...

Your sink basin comes complete with a silver overflow ring.
If you'd like to remove this overflow ring, you can do so by hand.



Wait!

Missing parts or hardware? Need assistance?

Contact us before returning your item. We're here to help!

609.256.9000 • cs@modway.com

Great job!

Cabinet assembly is complete.

♥ CARING FOR YOUR ITEM

Indoor use only.

Not contract grade.

Clean using a non-abrasive cloth and a mild cleaner.

Never use harsh chemicals, as they could damage the finish or integrity of the item.

CONNECT WITH US!   

Tag us [@modway_furniture](#) and [#modway](#) for a chance to be featured.

