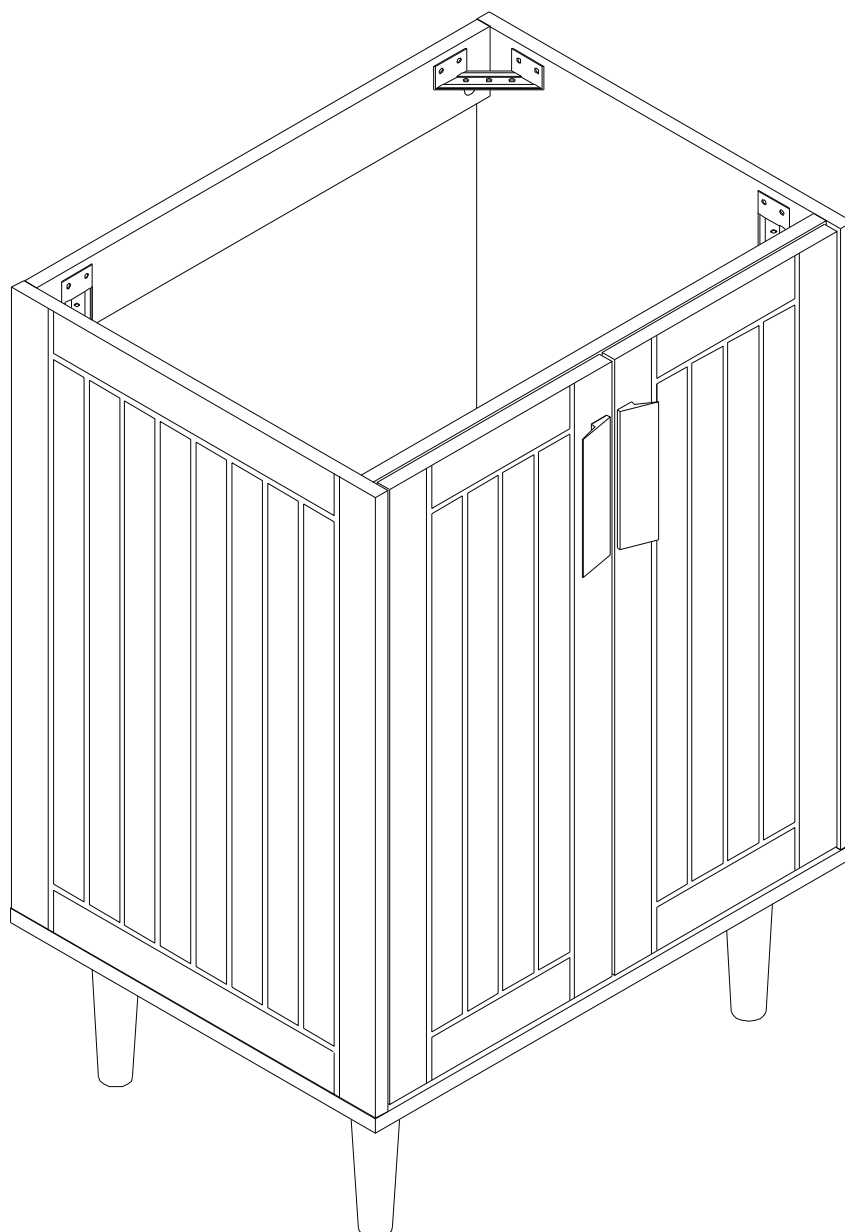


ASSEMBLY INSTRUCTIONS

EEI-5877

V1.01.24.22



Questions? Contact us!

609.256.9000 • cs@modway.com
www.modway.com

*modway

Let's get started!

*modway



Read through all of the instructions before starting



Care instructions are listed in the last step of this manual



Approx. 60 minutes assembly time



Make sure you have all parts and components before discarding any packing materials



2 people recommended for assembly

Only use hand tools to assemble this item. Do not use power tools. Do not tighten bolts or screws completely until all hardware is lined up and inserted into the holes.

Do not over-tighten screws and bolts to avoid stripping the hardware or cracking the item.

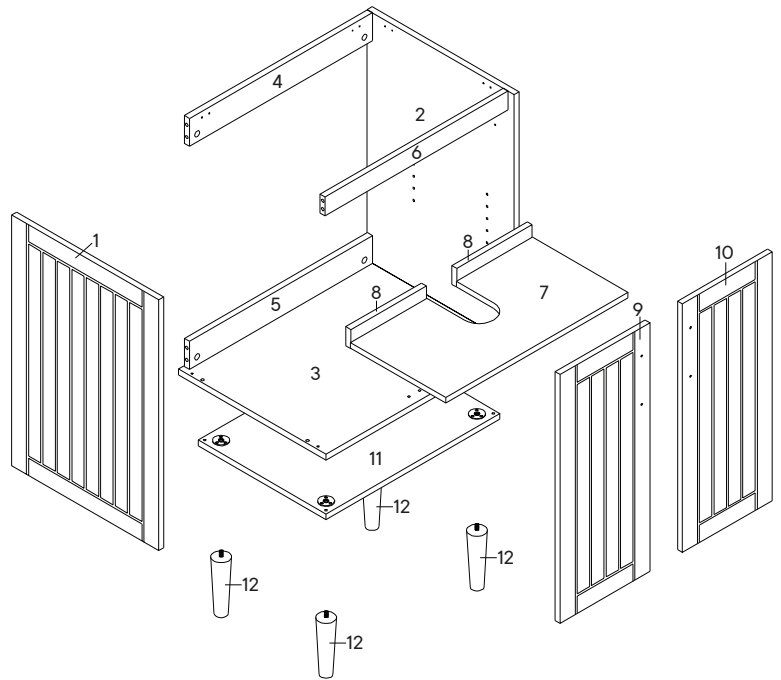
For vanity and plumbing installation, we suggest hiring a professional contractor and plumber.

Assemble your item on a flat, carpeted area, with plenty of space to work. This will prevent damage and scratches to your floors or the item while you're assembling the product.

Keep all components and packaging out of reach of children or animals to avoid risk of choking or suffocation.

Furniture components:

1	Left Side Panel	x1	7	Shelf Panel	x1
2	Right Side Panel	x1	8	Base Panel	x2
3	Bottom Panel	x1	9	Door Panel Left	x1
4	Back Panel 1	x1	10	Door Panel Right	x1
5	Back Panel 2	x1	11	Bottom Support	x1
6	Front Panel	x1	12	Wooden Leg	x4



Provided hardware:

A		Wood Dowel M8 x 25mm	x10	H		Hinges	x4
B		Cam Bolt Ø6 x 24mm	x6	I		Shelf Support	x4
C		Cam Lock Ø15	x6	J		Screw 9 x 38mm	x8
D		Handle	x2	K		Corner Bracket	x4
E		Screw 4 x 30mm	x4	L		Screw 3.5 x 16mm	x1
F		Screw 4 x 20mm	x4	M		Stopper	x1
G		Screw 4 x 14mm	x40	N		Rubber Pad	x4

What you need:

Phillips Head Screwdriver

You may also need:

- + Power Drill
- + Level
- + Silicone Adhesive or Caulk
- + Drywall Anchors and Screws
- + Other Wall-Mounting Hardware

Wait!

Missing parts or hardware? Need assistance?
Contact us before returning your item. We're here to help!
609.256.9000 • cs@modway.com

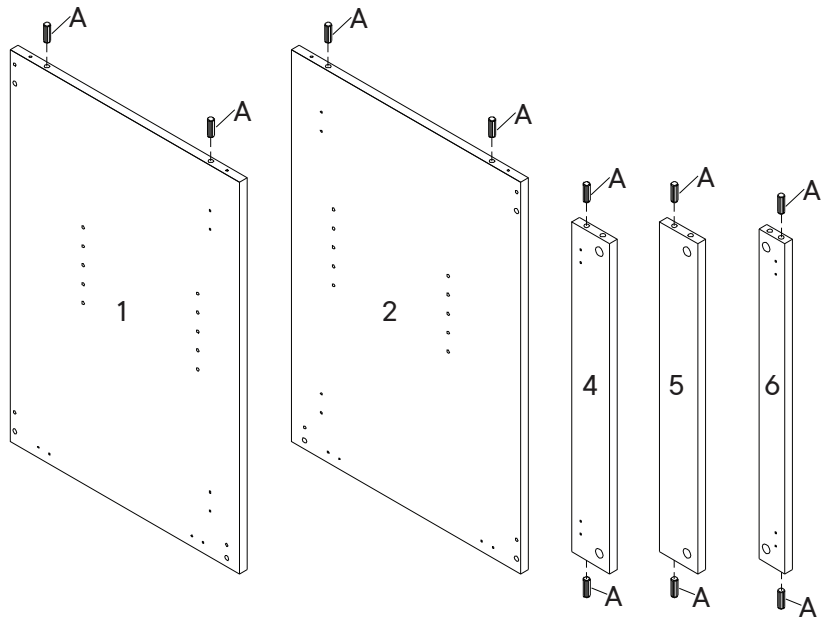
Step 1

HARDWARE

- A** Wood Dowel M8 x 25mm x10

COMPONENTS

- 1** Left Side Panel x1
- 2** Right Side Panel x1
- 4** Back Panel 1 x1
- 5** Back Panel 2 x1
- 6** Front Panel x1



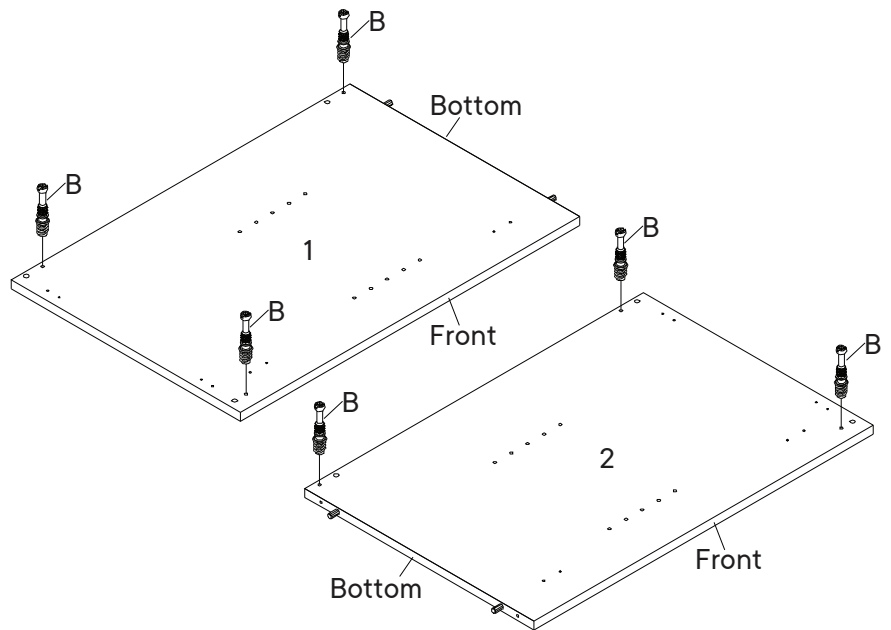
Step 2

HARDWARE

- B** Cam Bolt $\varnothing 6 \times 24\text{mm}$ x6

COMPONENTS

- 1** Left Side Panel x1
- 2** Right Side Panel x1



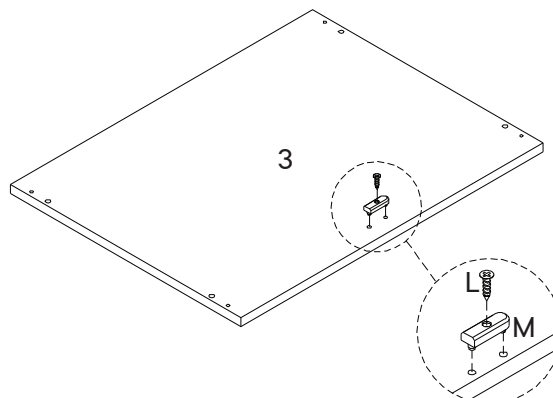
Step 3

HARDWARE

- L** Screw 3.5 x 16mm x1
- M** Stopper x1

COMPONENTS

- 3** Bottom Panel x1



Step 4

HARDWARE

C Cam Lock Ø15 x3

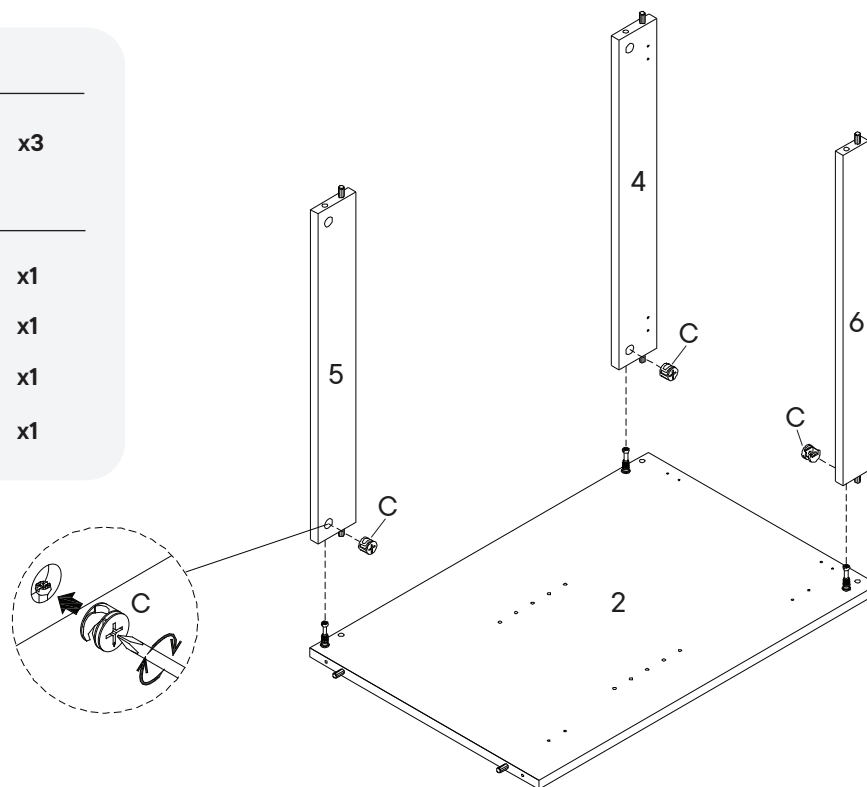
COMPONENTS

2 Right Side Panel x1

4 Back Panel 1 x1

5 Back Panel 2 x1

6 Front Panel x1



Step 5

HARDWARE

C Cam Lock Ø15 x3

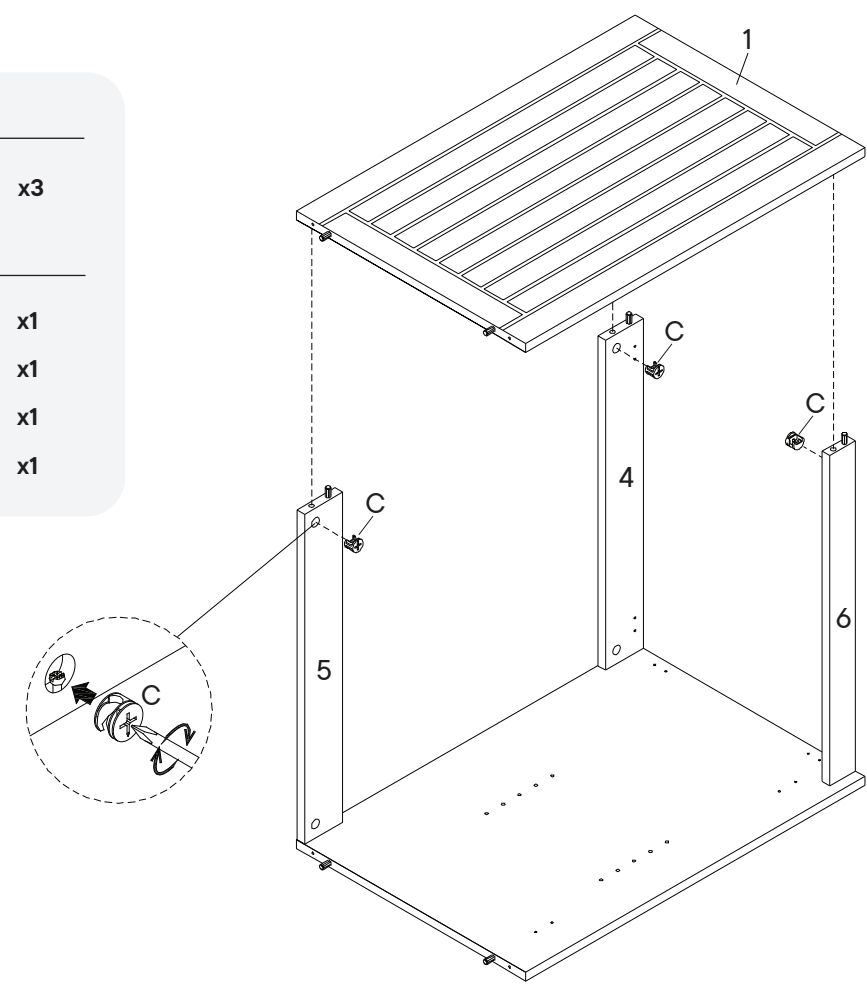
COMPONENTS

1 Left Side Panel x1

4 Back Panel 1 x1

5 Back Panel 2 x1

6 Front Panel x1



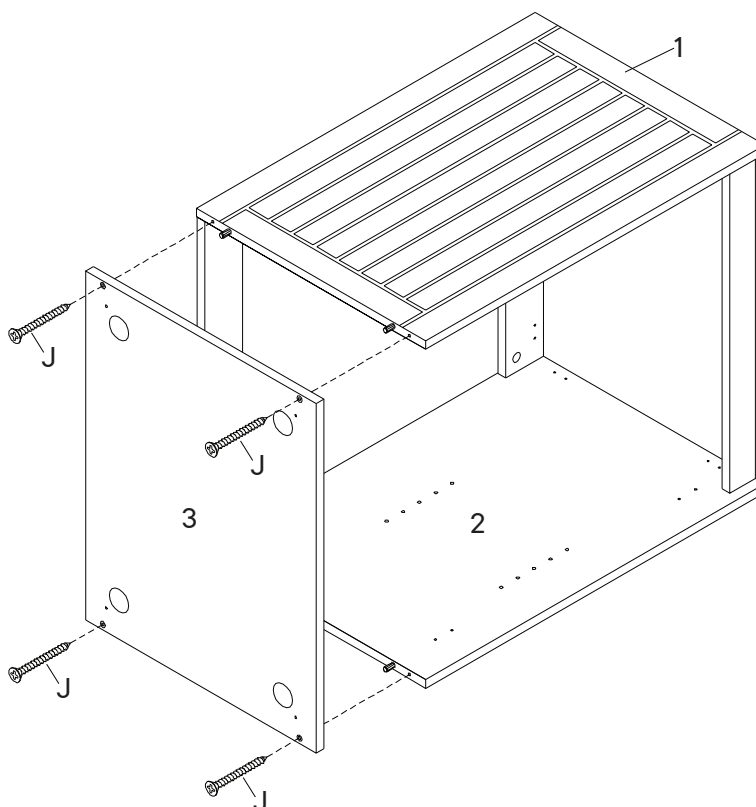
Step 6

HARDWARE

J Screw 9 x 38mm x4

COMPONENTS

3 Bottom Panel x1



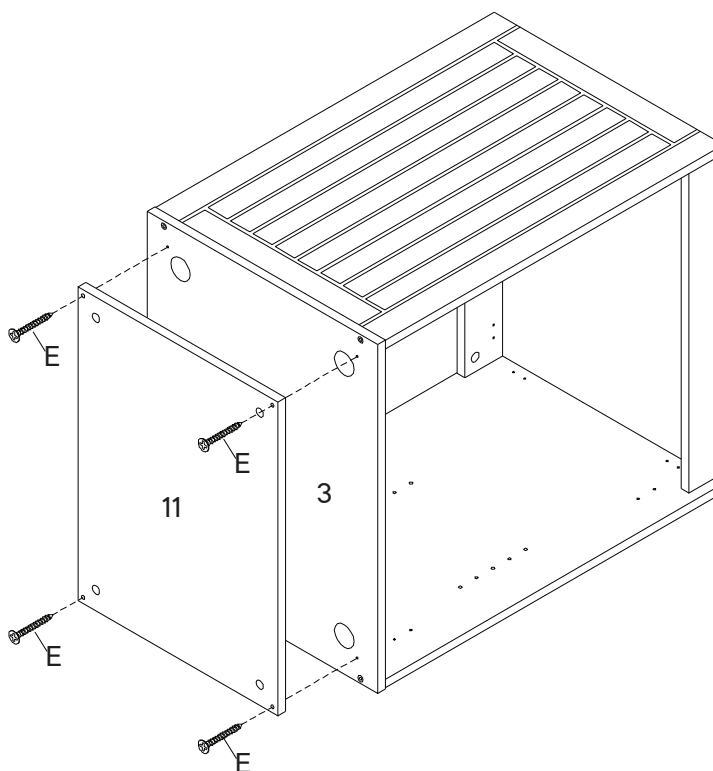
Step 7

HARDWARE

E Screw 4 x 30mm x4

COMPONENTS

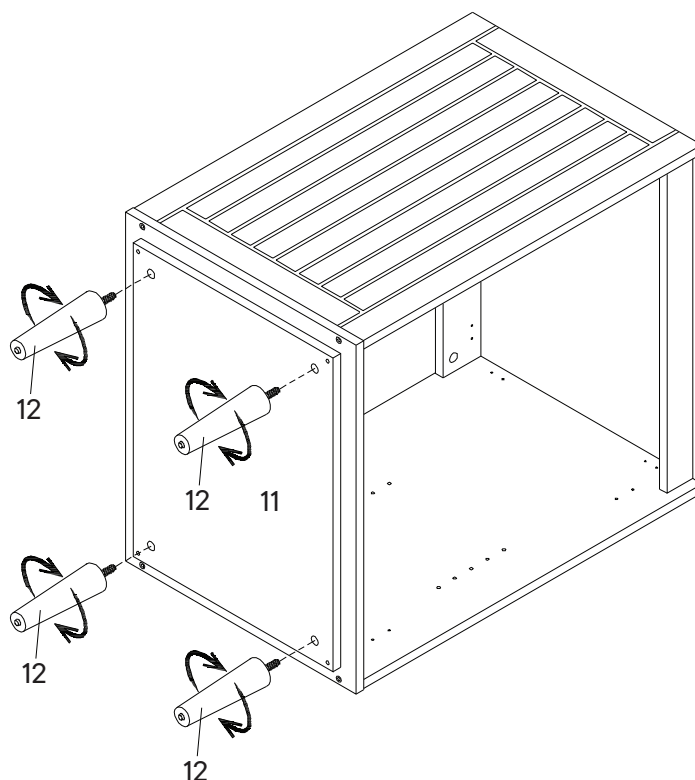
11 Bottom Support x1



Step 8

COMPONENTS

- 12 Wooden Leg x4



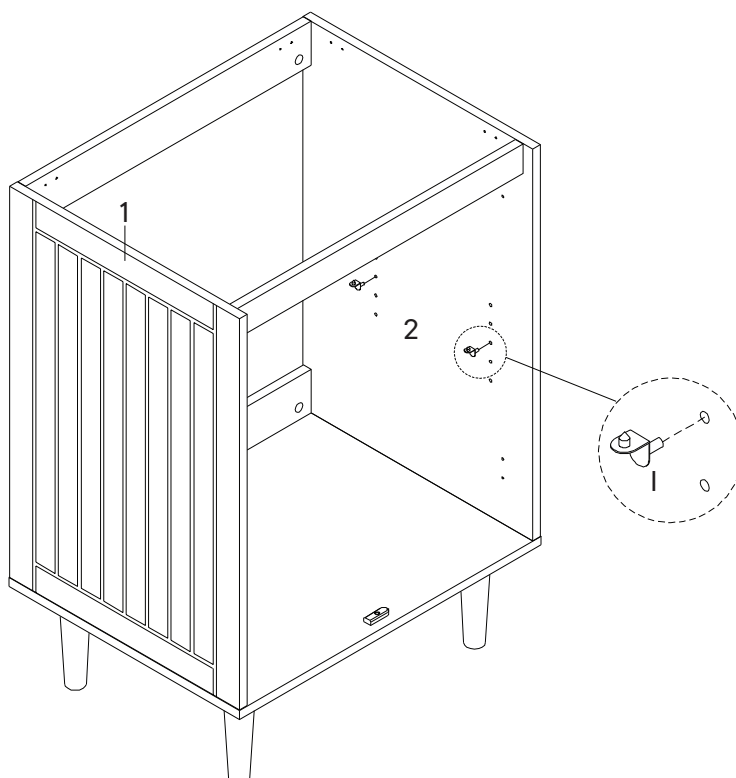
Step 9

HARDWARE

- 1 Shelf Support x4

COMPONENTS

- 1 Left Side Panel x1
- 2 Right Side Panel x1



Step 10

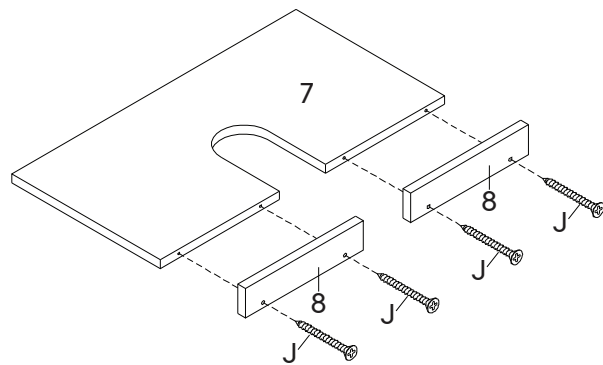
HARDWARE

J Screw 9 x 38mm x4

COMPONENTS

7 Shelf Panel x1

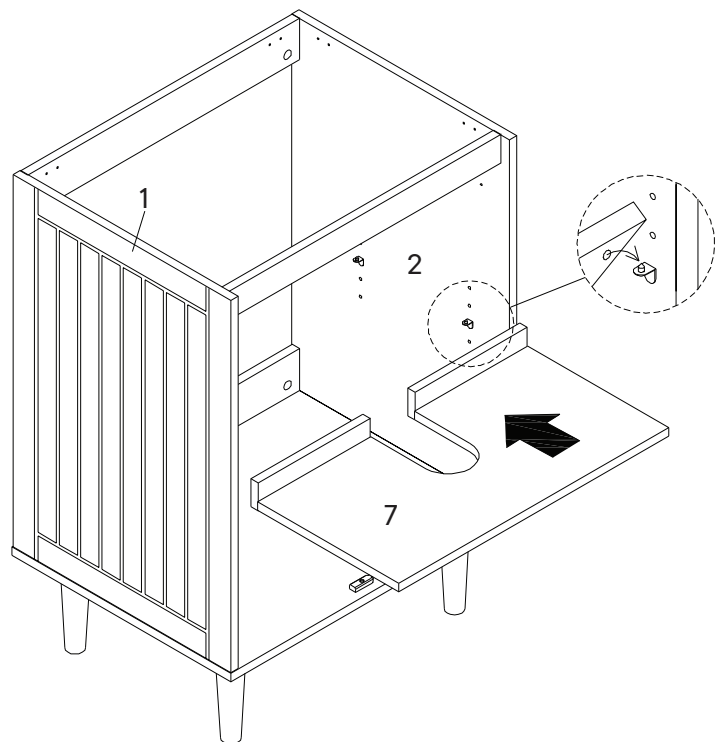
8 Base Panel x2



Step 11

COMPONENTS

7 Shelf Panel x1



Step 12

HARDWARE

G Screw 4 x 14mm x16

K Corner Bracket x4

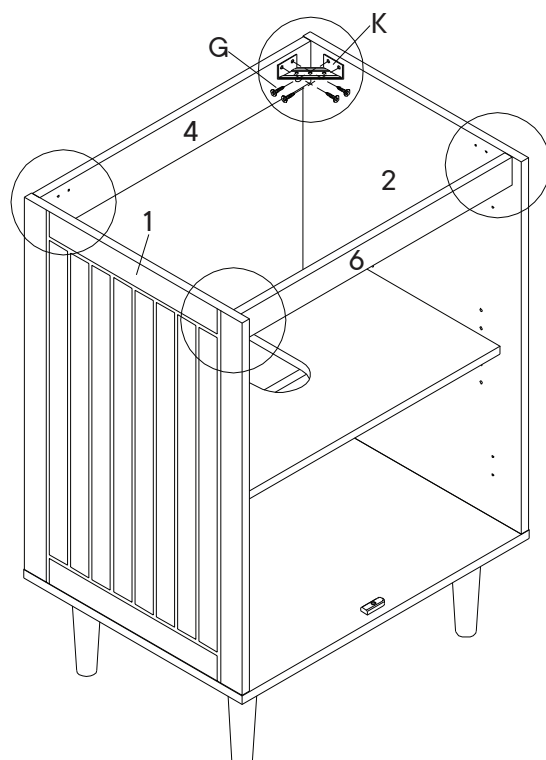
COMPONENTS

1 Left Side Panel x1

2 Right Side Panel x1

4 Back Panel 1 x1

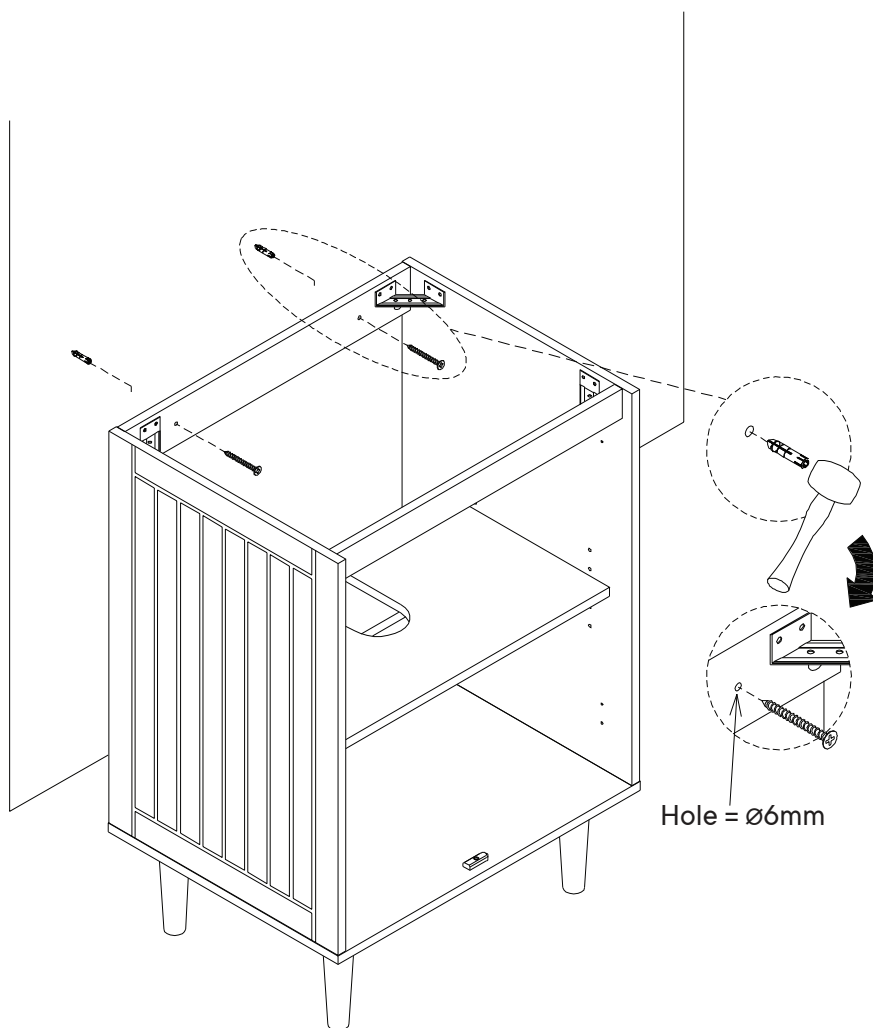
6 Front Panel x1



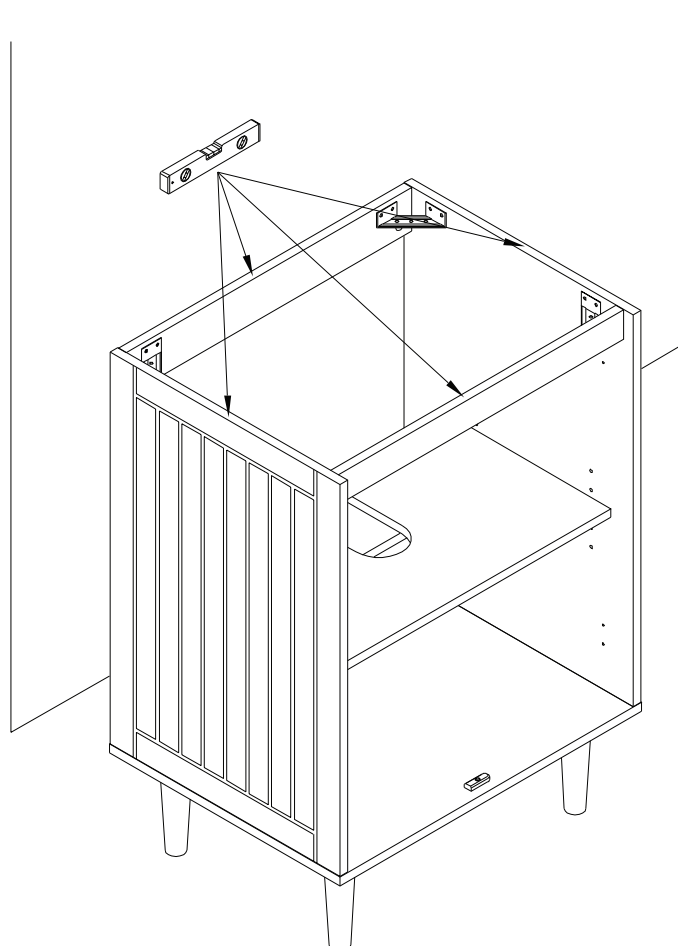
Step 13

NOTE: Mounting hardware and tools are not included.

We suggest professional installation.



Step 14



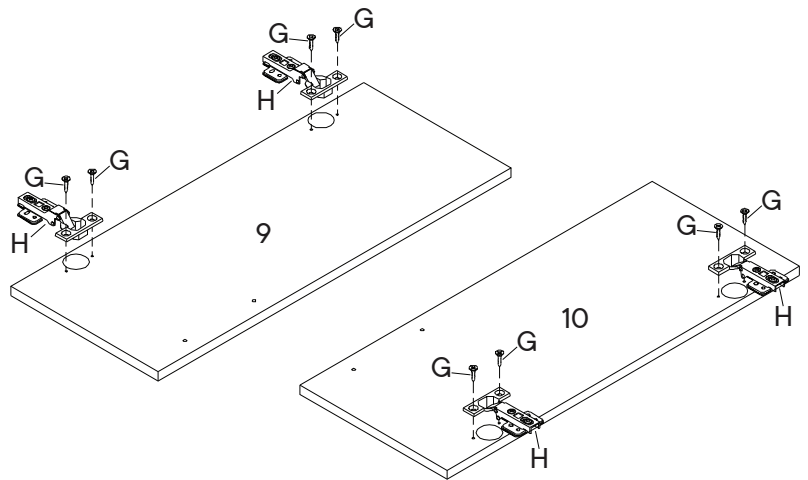
Step 15

HARDWARE

- G** Screw 4 x 14mm x8
- H** Hinges x4

COMPONENTS

- 9** Door Panel Left x1
- 10** Door Panel Right x1



Step 16

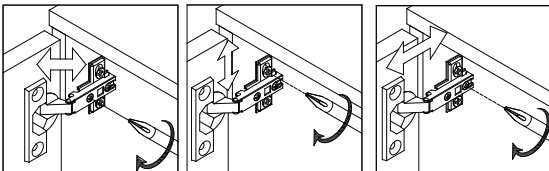
HARDWARE

- D** Handle x2
- F** Screw 4 x 20mm x4
- G** Screw 4 x 14mm x16
- N** Rubber Pad x4

COMPONENTS

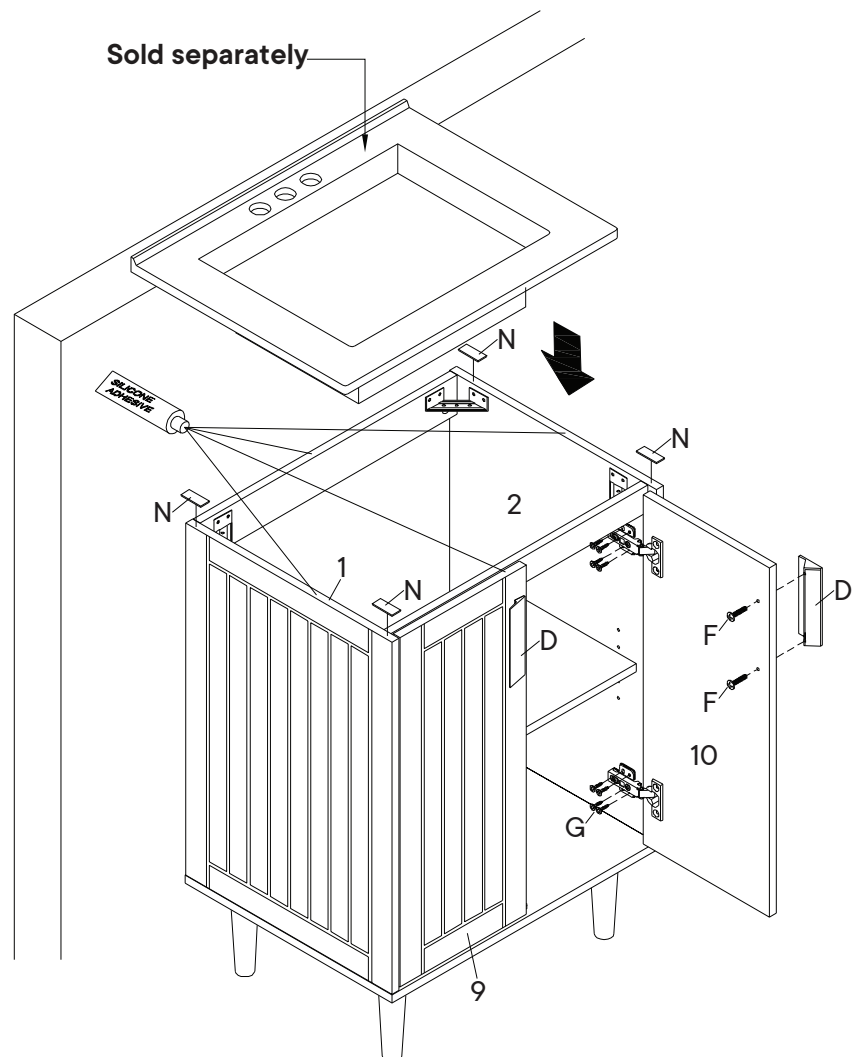
- 9** Door Panel Left x1
- 10** Door Panel Right x1

Adjust the hinges, if required.



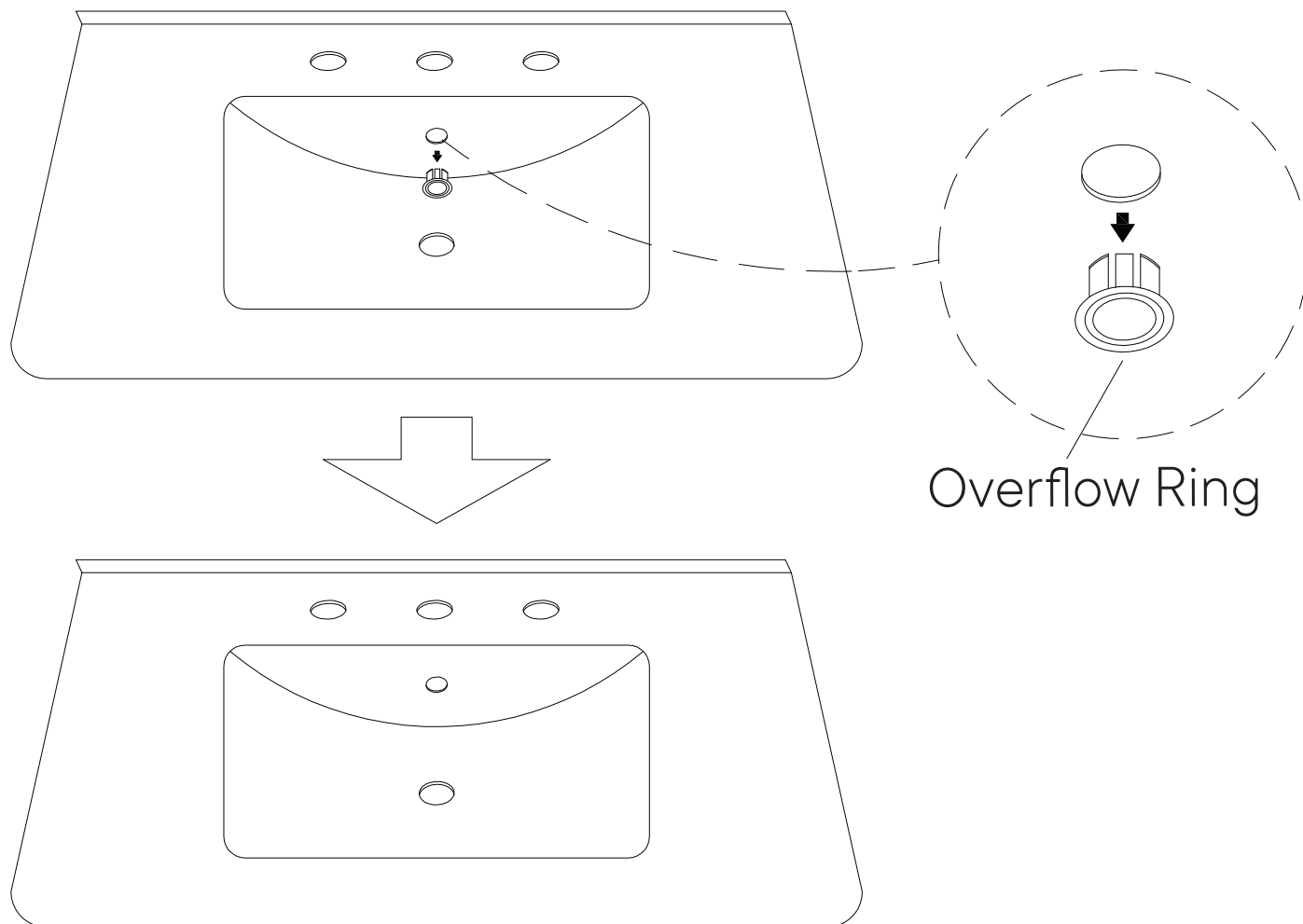
Adjust laterally Adjust height Adjust depth

Temporarily remove/dismantle the Door & Shelf during Basin/Sink /Plumbing work installation work to prevent water damage.



A quick note...

Your sink basin comes complete with a silver overflow ring.
If you'd like to remove this overflow ring, you can do so by hand.



Wait!

Missing parts or hardware? Need assistance?

Contact us before returning your item. We're here to help!

609.256.9000 • cs@modway.com

Great job!

Cabinet assembly is complete.

♥ CARING FOR YOUR ITEM

Indoor use only.

Not contract grade.

Clean using a non-abrasive cloth and a mild cleaner.

Never use harsh chemicals, as they could damage the finish or integrity of the item.

CONNECT WITH US!   

Tag us @modway_furniture and #modway for a chance to be featured.

