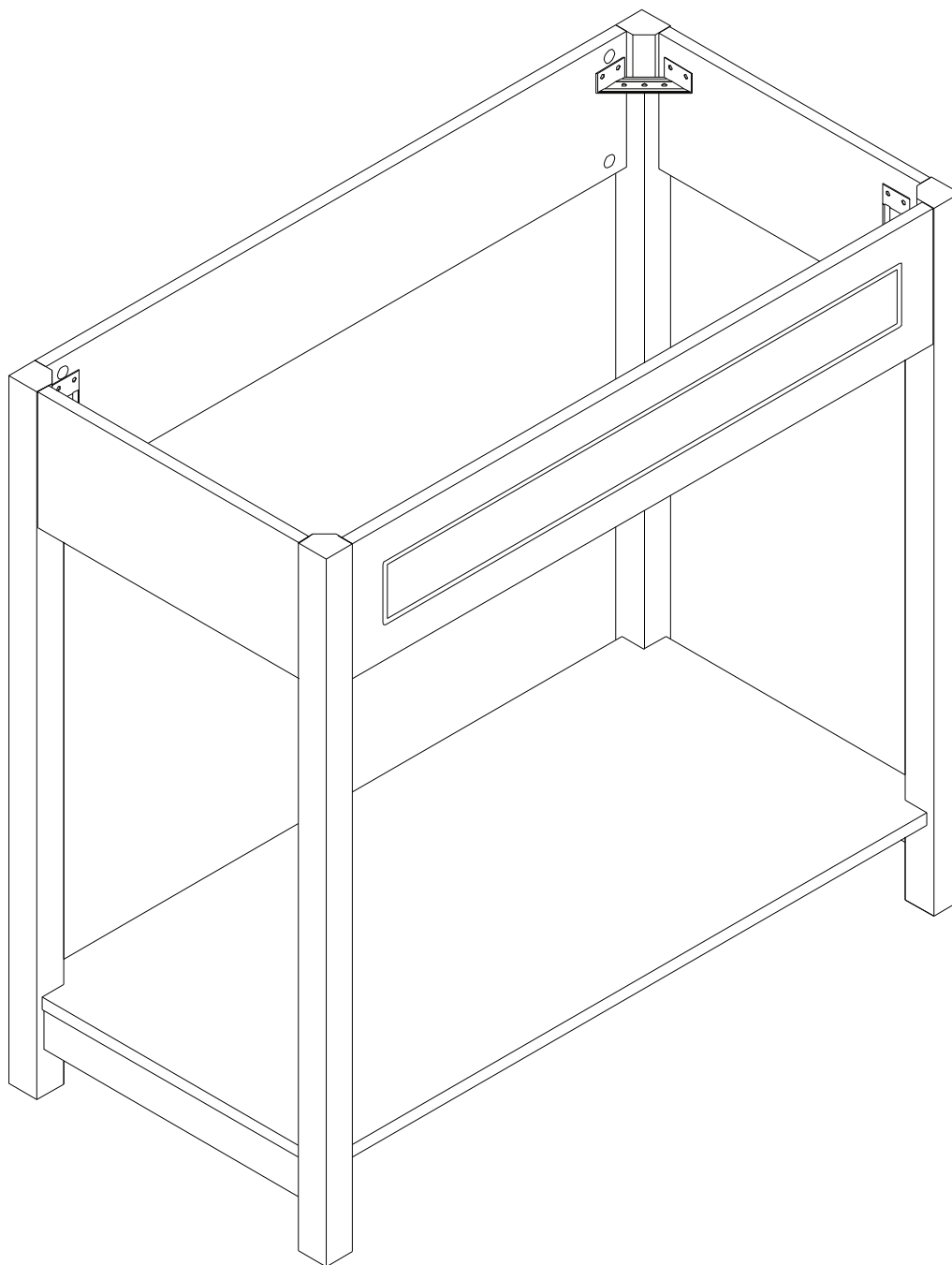


ASSEMBLY INSTRUCTIONS

EEI-5876

V1.01.24.22



Questions? Contact us!

609.256.9000 • cs@modway.com
www.modway.com

*modway

Let's get started!

*modway



Read through all of the instructions before starting



Care instructions are listed in the last step of this manual



Approx. 45 minutes assembly time



Make sure you have all parts and components before discarding any packing materials



2 people recommended for assembly

Only use hand tools to assemble this item. Do not use power tools. Do not tighten bolts or screws completely until all hardware is lined up and inserted into the holes.

Do not over-tighten screws and bolts to avoid stripping the hardware or cracking the item.

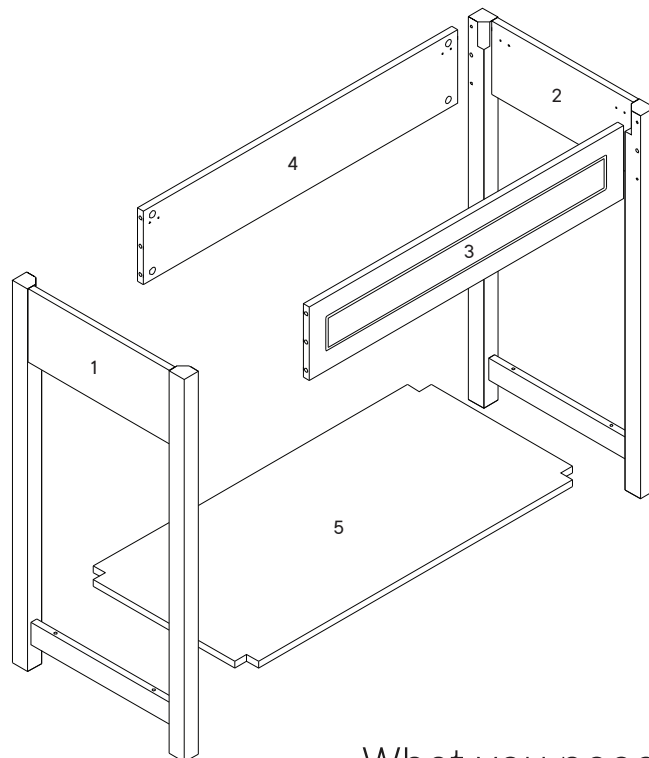
For vanity and plumbing installation, we suggest hiring a professional contractor and plumber.

Assemble your item on a flat, carpeted area, with plenty of space to work. This will prevent damage and scratches to your floors or the item while you're assembling the product.

Keep all components and packaging out of reach of children or animals to avoid risk of choking or suffocation.

Furniture components:

1	Left Side Panel	x1
2	Right Side Panel	x1
3	Front Panel	x1
4	Back Panel	x1
5	Shelf Panel	x1



Provided hardware:

A		Wood Dowel M8 x 25mm	x4
B		Cam Bolt Ø6 x 24mm	x8
C		Cam Lock Ø15	x8
D		Screw 4 x 14mm	x16

E		Corner Bracket	x4
F		Screw 8 x 25mm	x4
G		Rubber Pad	x6

What you need:

Phillips Head Screwdriver

You may also need:

- + Power Drill
- + Level
- + Silicone Adhesive or Caulk
- + Drywall Anchors and Screws
- + Other Wall-Mounting Hardware

Wait!

Missing parts or hardware? Need assistance?
Contact us before returning your item. We're here to help!
609.256.9000 • cs@modway.com

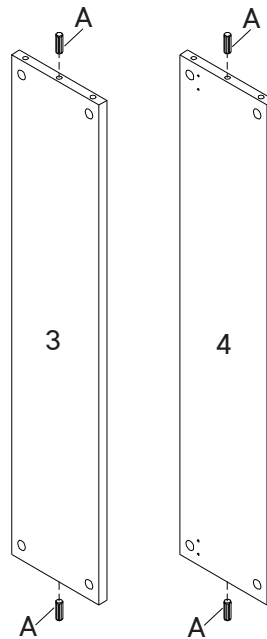
Step 1

HARDWARE

- A** Wood Dowel M8 x 25mm x4

COMPONENTS

- 3** Front Panel x1
- 4** Back Panel x1



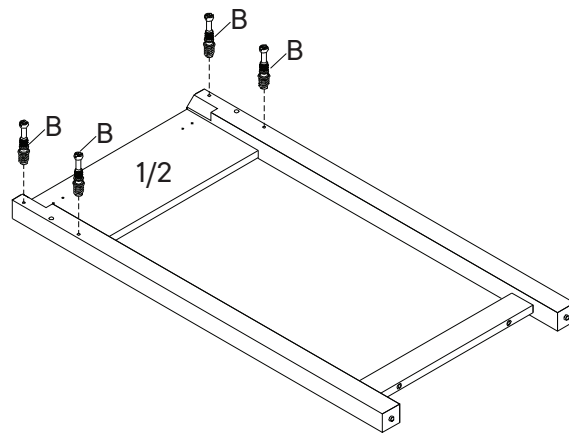
Step 2

HARDWARE

- B** Cam Bolt Ø6 x 24mm x8

COMPONENTS

- 1** Left Side Panel x1
- 2** Right Side Panel x1



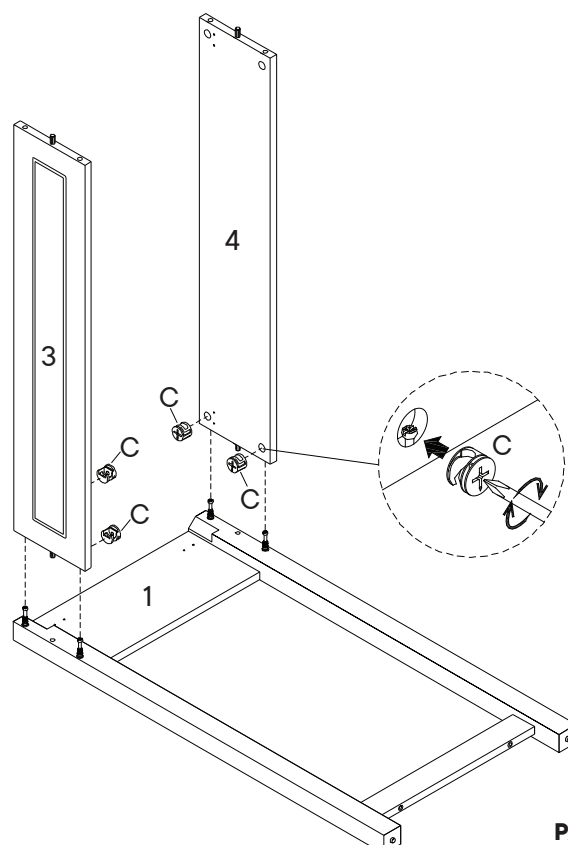
Step 3

HARDWARE

- C** Cam Lock Ø15 x4

COMPONENTS

- 1** Left Side Panel x1
- 3** Front Panel x1
- 4** Back Panel x1



Step 4

HARDWARE

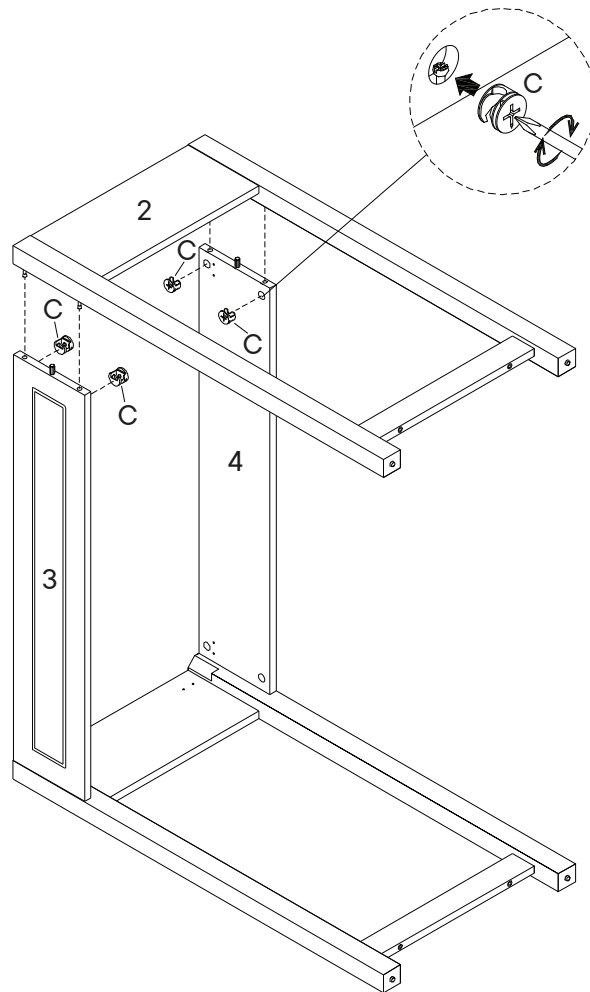
C Cam Lock Ø15 x4

COMPONENTS

2 Right Side Panel x1

3 Front Panel x1

4 Back Panel x1



Step 5

HARDWARE

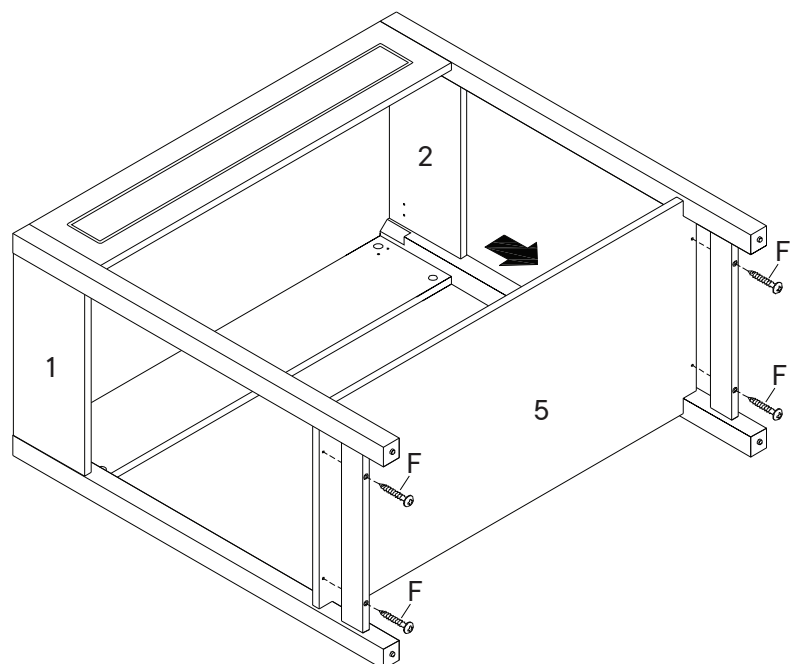
F Screw 8 x 25mm x4

COMPONENTS

1 Left Side Panel x1

2 Right Side Panel x1

5 Shelf Panel x1



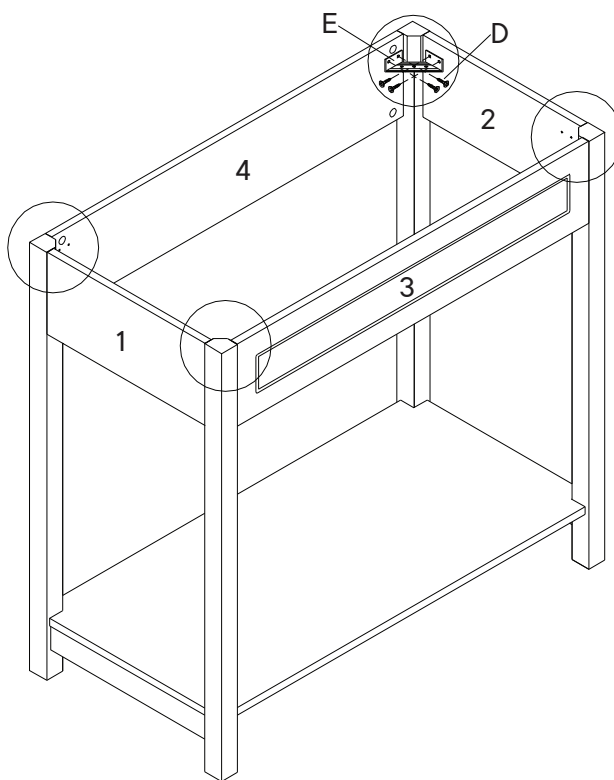
Step 6

HARDWARE

- D** Screw 4 x 14mm x16
- E** Corner Bracket x4

COMPONENTS

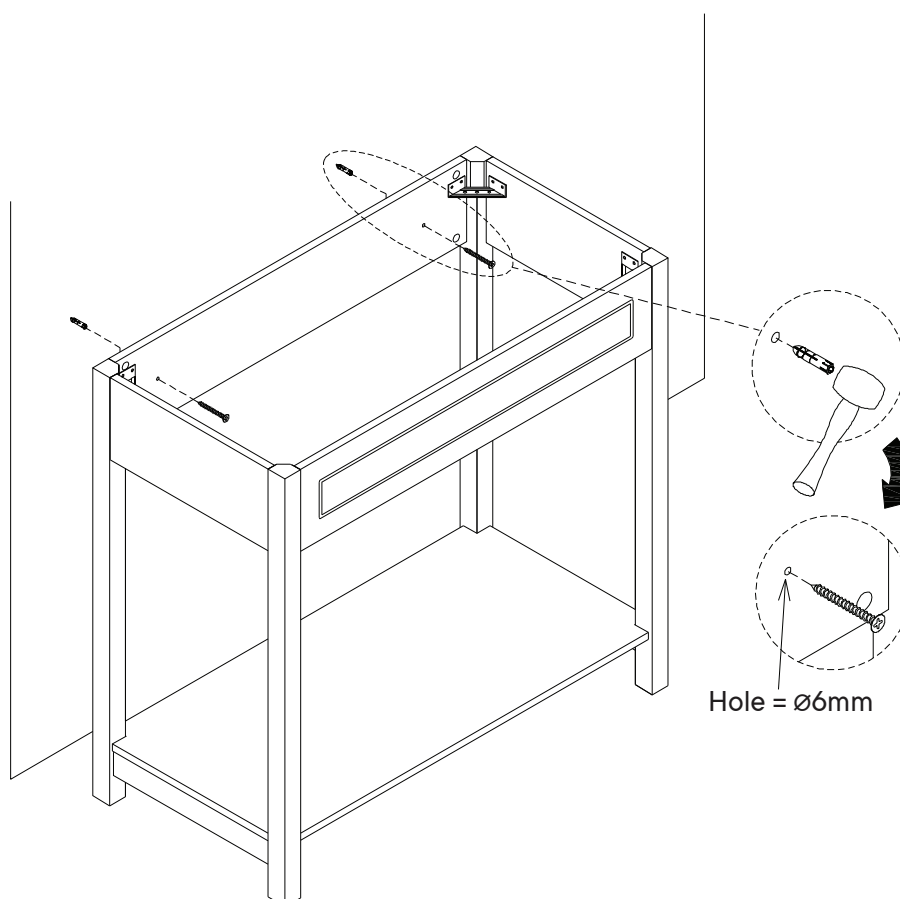
- 1** Left Side Panel x1
- 2** Right Side Panel x1
- 3** Front Panel x1
- 4** Back Panel x1



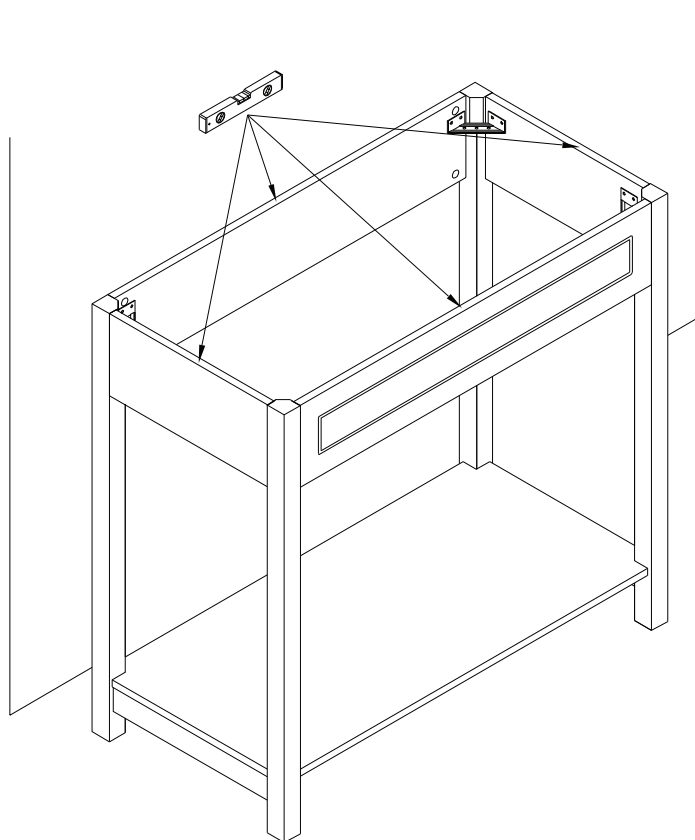
Step 7

NOTE: Mounting hardware and tools are not included.

We suggest professional installation.



Step 8

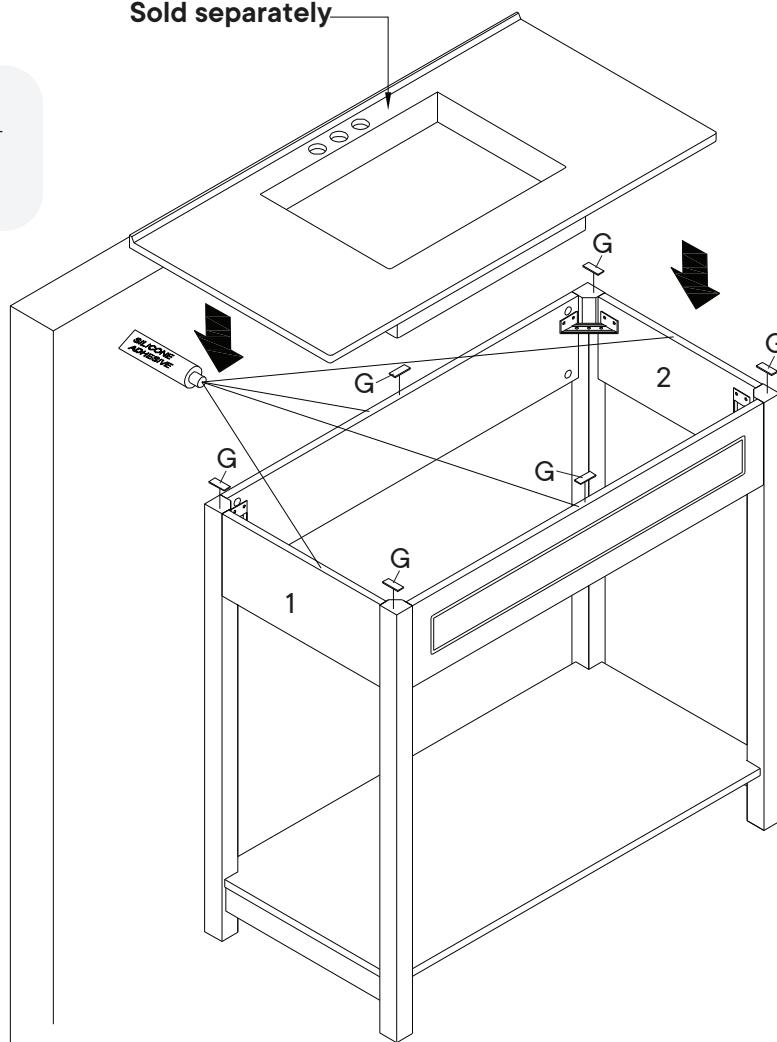


Step 9

HARDWARE

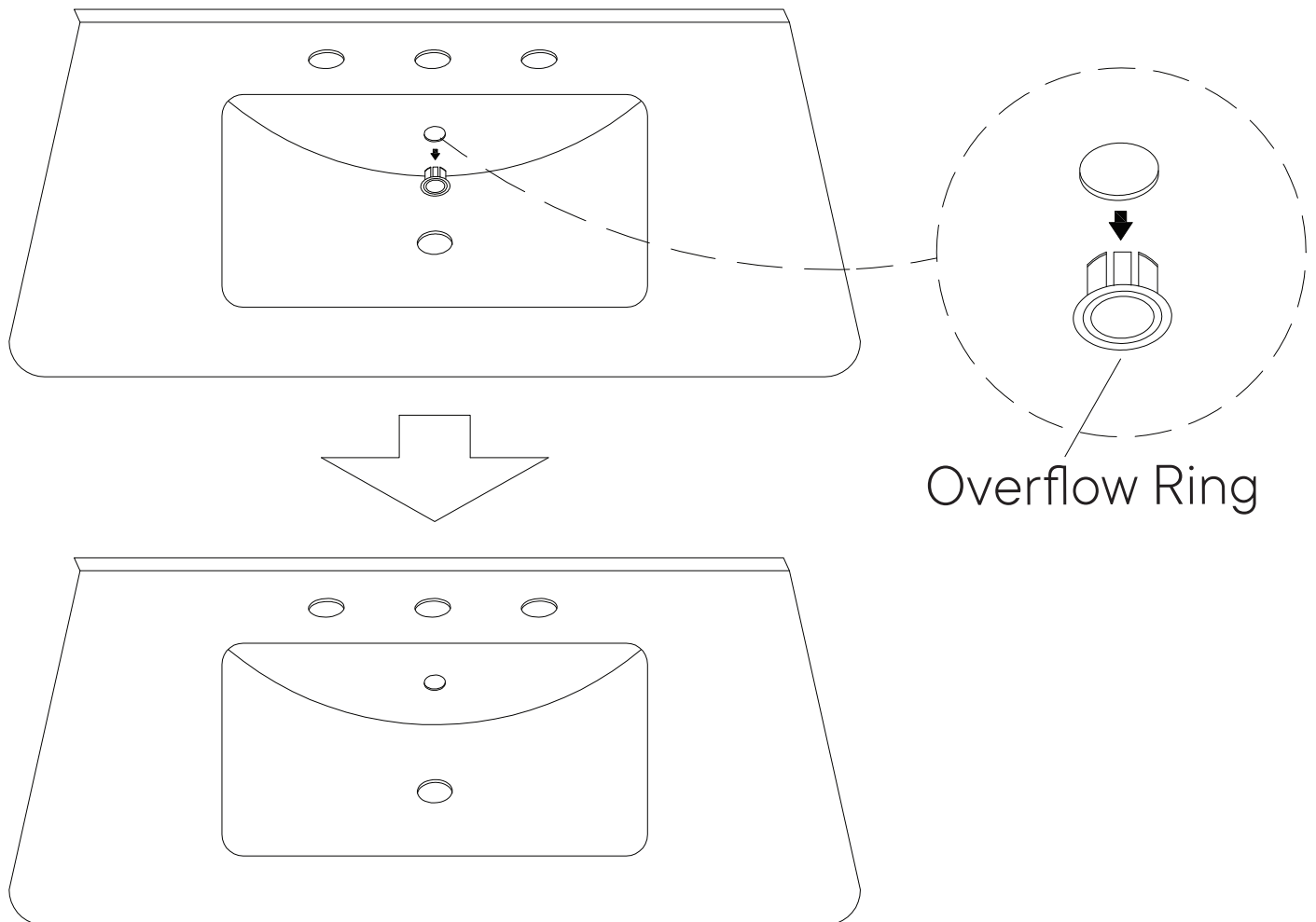
- G** Rubber Pad x6

Sold separately



A quick note...

Your sink basin comes complete with a silver overflow ring.
If you'd like to remove this overflow ring, you can do so by hand.



Overflow Ring

Wait!

Missing parts or hardware? Need assistance?
Contact us before returning your item. We're here to help!
609.256.9000 • cs@modway.com

Great job!

Vanity Base assembly is complete.

♥ CARING FOR YOUR ITEM

Indoor use only.

Not contract grade.

Clean using a non-abrasive cloth and a mild cleaner.

Never use harsh chemicals, as they could damage the finish or integrity of the item.

CONNECT WITH US!   

Tag us [@modway_furniture](#) and [#modway](#) for a chance to be featured.

