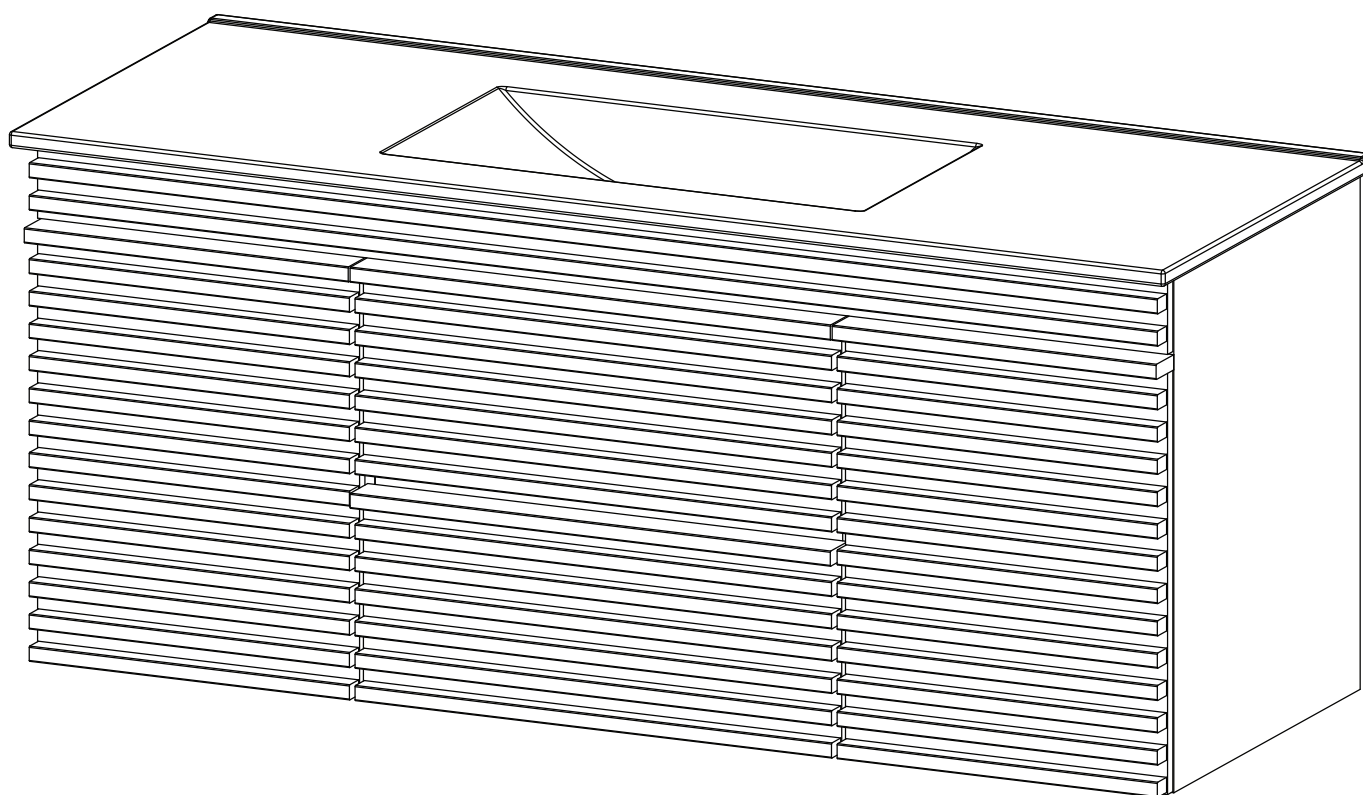


# ASSEMBLY INSTRUCTIONS

# EEI-5866

V0.09.28.21



**Questions? Contact us!**

609.256.9000 • [cs@modway.com](mailto:cs@modway.com)  
[www.modway.com](http://www.modway.com)

\*modway

# Let's get started!

\*modway



Read through all of the instructions before starting



Care instructions are listed in the last step of this manual



Approx. 120 minutes assembly time



Make sure you have all parts and components before discarding any packing materials



2 people recommended for assembly

**Only use hand tools to assemble this item.** Do not use power tools. Do not tighten bolts or screws completely until all hardware is lined up and inserted into the holes.

Do not over-tighten screws and bolts to avoid stripping the hardware or cracking the item.

For vanity and plumbing installation, we suggest hiring a professional contractor and plumber.

Assemble your item on a flat, carpeted area, with plenty of space to work. This will prevent damage and scratches to your floors or the item while you're assembling the product.

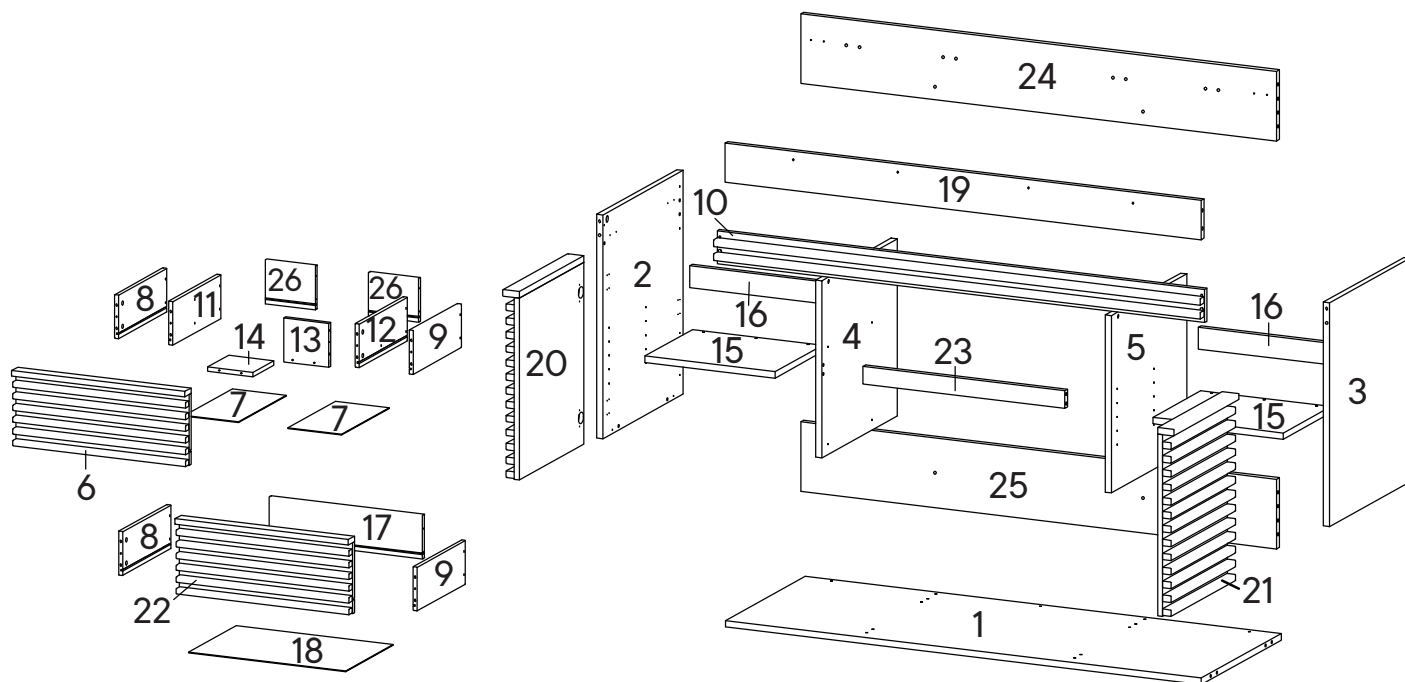
Keep all components and packaging out of reach of children or animals to avoid risk of choking or suffocation.

## Furniture components:

1	Bottom Board	x1
2	Side Board Left	x1
3	Side Board Right	x1
4	Center Board Left	x1
5	Center Board Right	x1
6	Front Drawer Upper	x1
7	Bottom Drawer Upper	x2
8	Side Drawer Left 1	x2
9	Side Drawer Right 1	x2
10	Front Skirt	x1

11	Side Drawer Left 2	x1
12	Side Drawer Right 2	x1
13	Support Drawer 1	x1
14	Support Drawer 2	x1
15	Adjustable Shelf	x2
16	Support Adjustable Shelf	x2
17	Back Drawer Lower	x1
18	Bottom Drawer Lower	x1
19	Support Board 1	x1
20	Door Left	x1

21	Door Right	x1
22	Front Drawer Lower	x1
23	Support Board 2	x1
24	Back Skirt Upper	x1
25	Back Skirt Lower	x1
26	Back Drawer Upper	x2










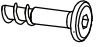


















Wait!

Missing parts or hardware? Need assistance?

Contact us before returning your item. We're here to help!

609.256.9000 • cs@modway.com

Provided hardware:

A		Cam Bolt Ø6 x 35 mm	x14	M		Hanger + Plastic Cover	x2	PA11		Long Bracket	x1
B		Cam Lock Ø15 mm	x16	N		JCN Nut	x10	PA05		Short Bracket	x4
C		Cam Lock Ø12 mm	x12	O		Screw M 6.4 x 25 mm	x4				
D		Wood Dowel Ø8 x 30 mm	x28	P		Wall Plug	x10				
E		Wood Dowel Ø6 x 30 mm	x14	Q		Foam / Rubber Pad	x10				
F		Cam Bolt Ø6 x 32 mm	x14	R		Screw M 6 x 15 mm	x10				
G		Screw M 4.5 x 12.5 mm	x52	S		Screw M 7 x 50 mm	x15				
H		Shelf Support	x8	T		Allen Key	x2				
I		Screw M 6 x 10.5 mm	x8	BC67		Bracket Elbow	x4				
J		Screw M 3.5 x 13 mm	x12	RM30A		Drawer Runner	x2				
K		Screw M 8 x 39 mm	x14	BO45		Support Connecting Bracket	x2				
L		Screw 5.5 x 45 mm	x10	HS26A		Hinge	x4				

What you need:



You may also need:

- + Power Drill
- + Level
- + Silicone Adhesive or Caulk
- + Drywall Anchors and Screws
- + Other Wall-Mounting Hardware

Components Carton Placement

Carton 1 of 2

Label	Description	Qty
1	Bottom Board	x1
4	Center Board Left	x1
5	Center Board Right	x1
7	Bottom Drawer Upper	x2
8	Side Drawer Left 1	x2
9	Side Drawer Right 1	x2
10	Front Skirt	x1
11	Side Drawer Left 2	x1
12	Side Drawer Right 2	x1
13	Support Drawer 1	x1
14	Support Drawer 2	x1
15	Adjustable Shelf	x2
17	Back Drawer Lower	x1
18	Bottom Drawer Lower	x1
19	Support Board 1	x1
24	Back Skirt Upper	x1

Carton 2 of 2

Label	Description	Qty
2	Side Board Left	x1
3	Side Board Right	x1
6	Front Drawer Upper	x1
16	Support Adjustable Shelf	x2
20	Door Left	x1
21	Door Right	x1
22	Front Drawer Lower	x1
23	Support Board 2	x1
	Hardware Pack	x1

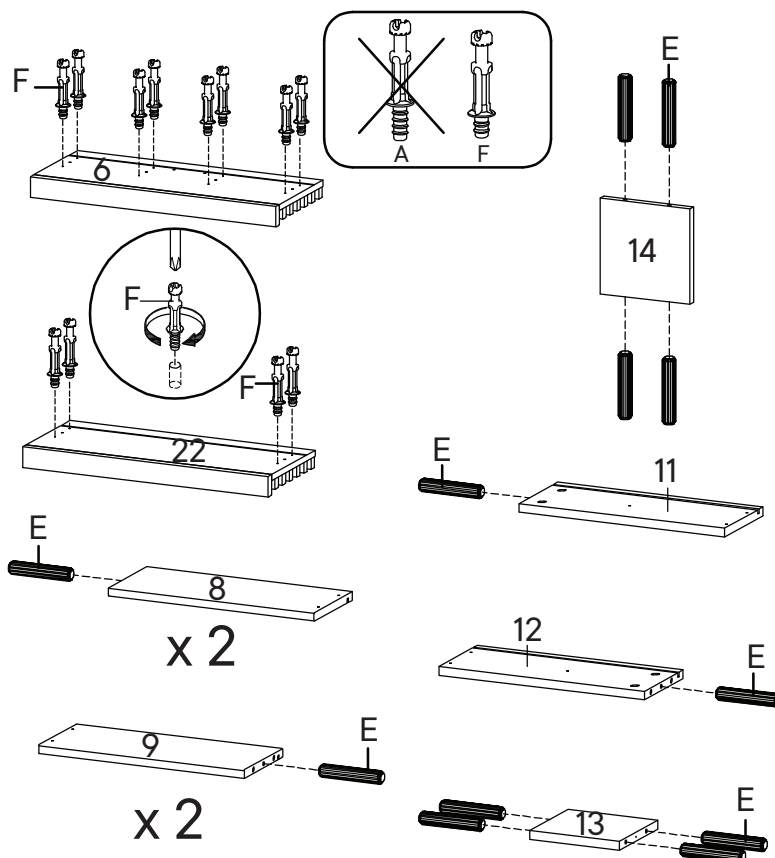
# Step 1

## HARDWARE

- E** Wood Dowel Ø6 x 30 mm x14
- F** Cam Bolt Ø6 x 32 mm x12

## COMPONENTS

- 6** Front Drawer Upper x1
- 8** Side Drawer Left 1 x2
- 9** Side Drawer Right 1 x2
- 11** Side Drawer Left 2 x1
- 12** Side Drawer Right 2 x1
- 13** Support Drawer 1 x1
- 14** Support Drawer 2 x1
- 22** Front Drawer Lower x1



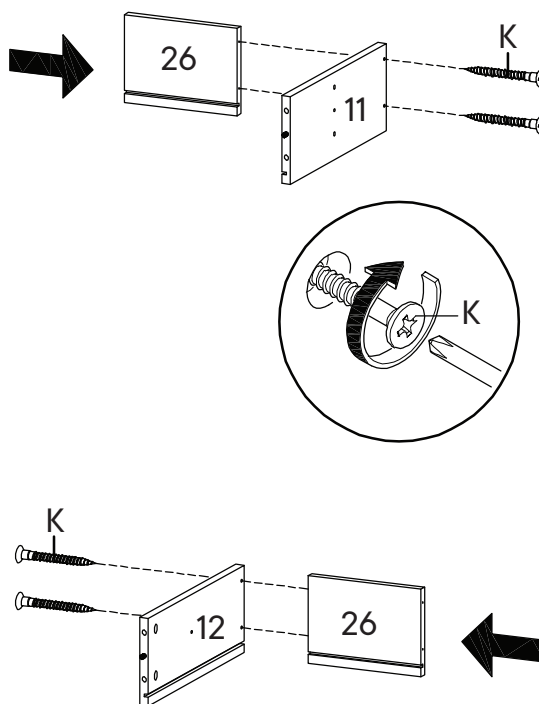
# Step 2

## HARDWARE

- K** Screw M 8 x 39 mm x4

## COMPONENTS

- 11** Side Drawer Left 2 x1
- 12** Side Drawer Right 2 x1
- 26** Back Drawer Upper x2



# Step 3

## HARDWARE

**K** Screw M 8 x 39 mm x2

## COMPONENTS

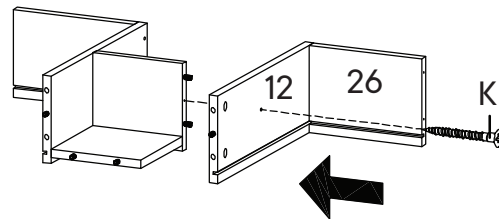
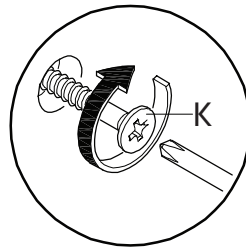
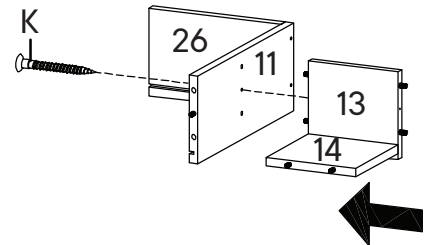
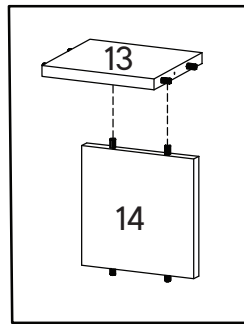
**11** Side Drawer Left 2 x1

**12** Side Drawer Right 2 x1

**13** Support Drawer 1 x1

**14** Support Drawer 2 x1

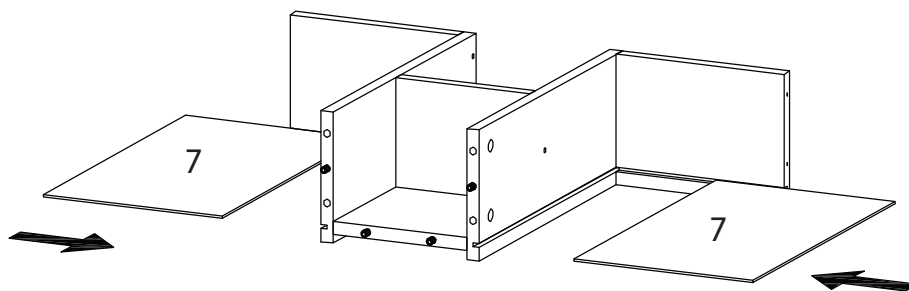
**26** Back Drawer Upper x2



# Step 4

## COMPONENTS

**7** Bottom Drawer Upper x2



# Step 5

## HARDWARE

**C** Cam Lock Ø12 mm x8

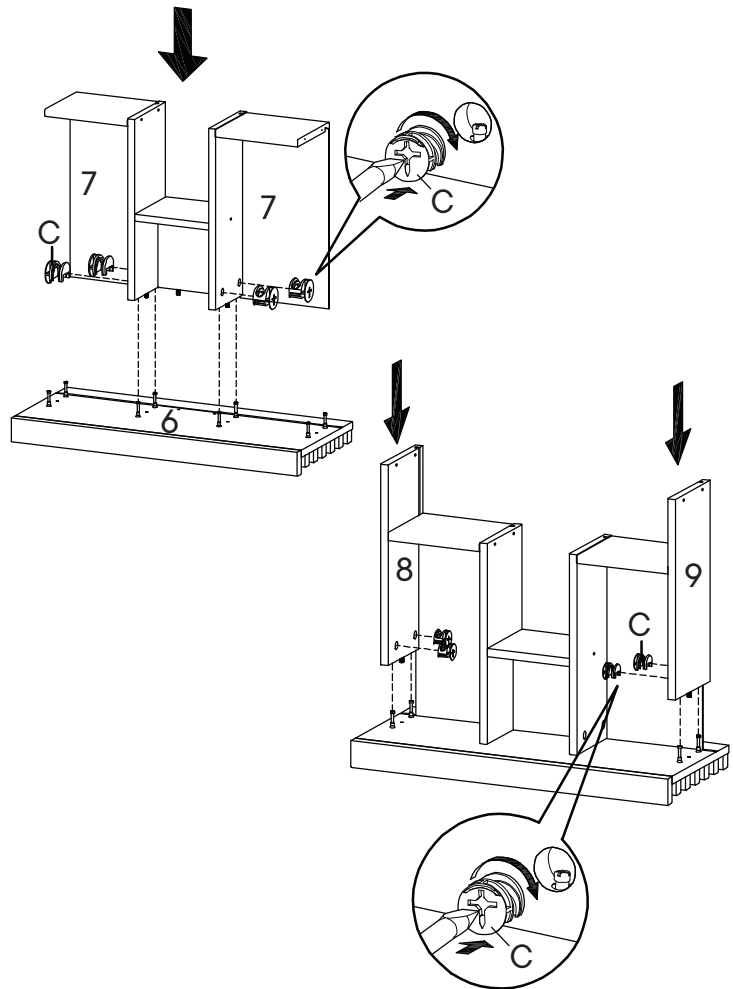
## COMPONENTS

**6** Front Drawer Upper x1

**7** Bottom Drawer Upper x2

**8** Side Drawer Left 1 x1

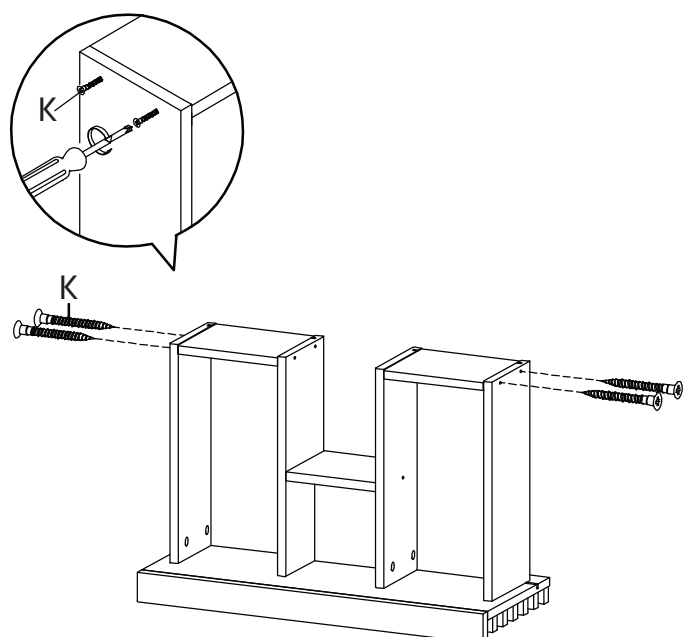
**9** Side Drawer Right 1 x1



# Step 6

## HARDWARE

**K** Screw M 8 x 39 mm x4



# Step 7

## HARDWARE

**C** Cam Lock Ø12 mm x4

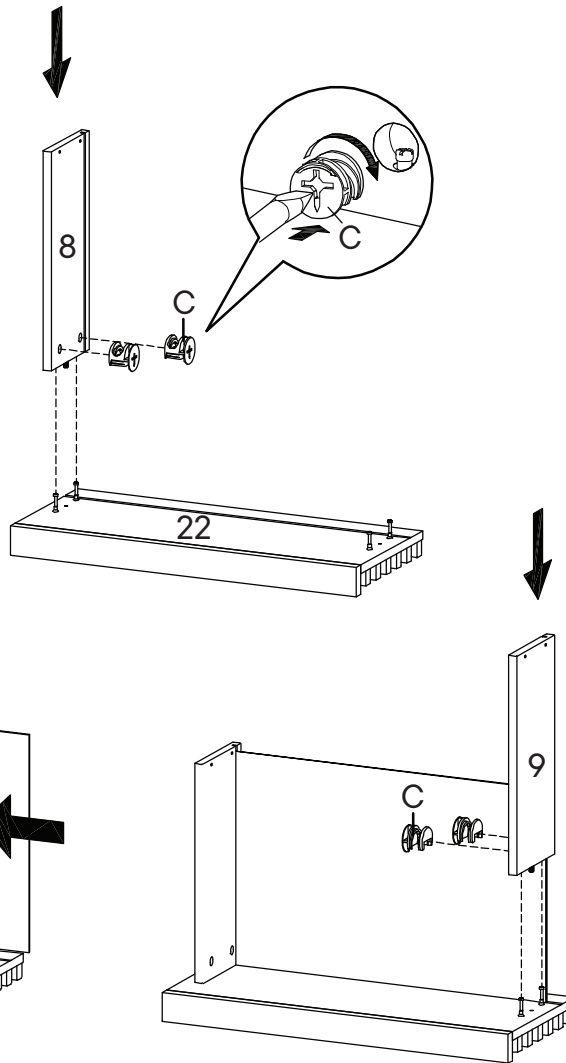
## COMPONENTS

**8** Side Drawer Left 1 x1

**9** Side Drawer Right 1 x1

**18** Bottom Drawer Lower 1 x1

**22** Front Drawer Lower 1 x1



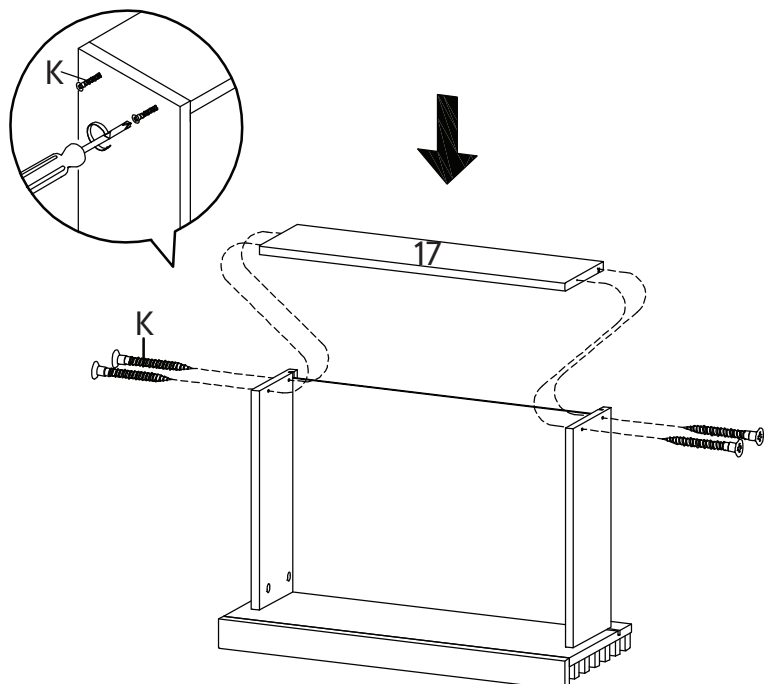
# Step 8

## HARDWARE

**K** Screw M 8 x 39 mm x4

## COMPONENTS

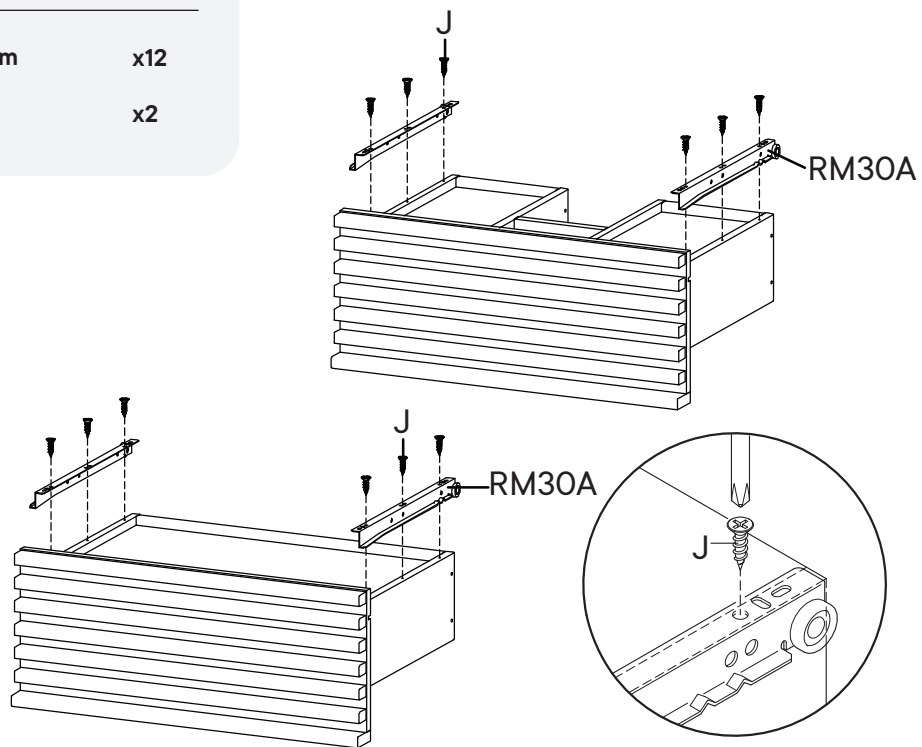
**17** Back Drawer Lower 1 x1



# Step 9

## HARDWARE

- J** Screw M 3.5 x 13 mm x12
- RM30A** Drawer Runner x2



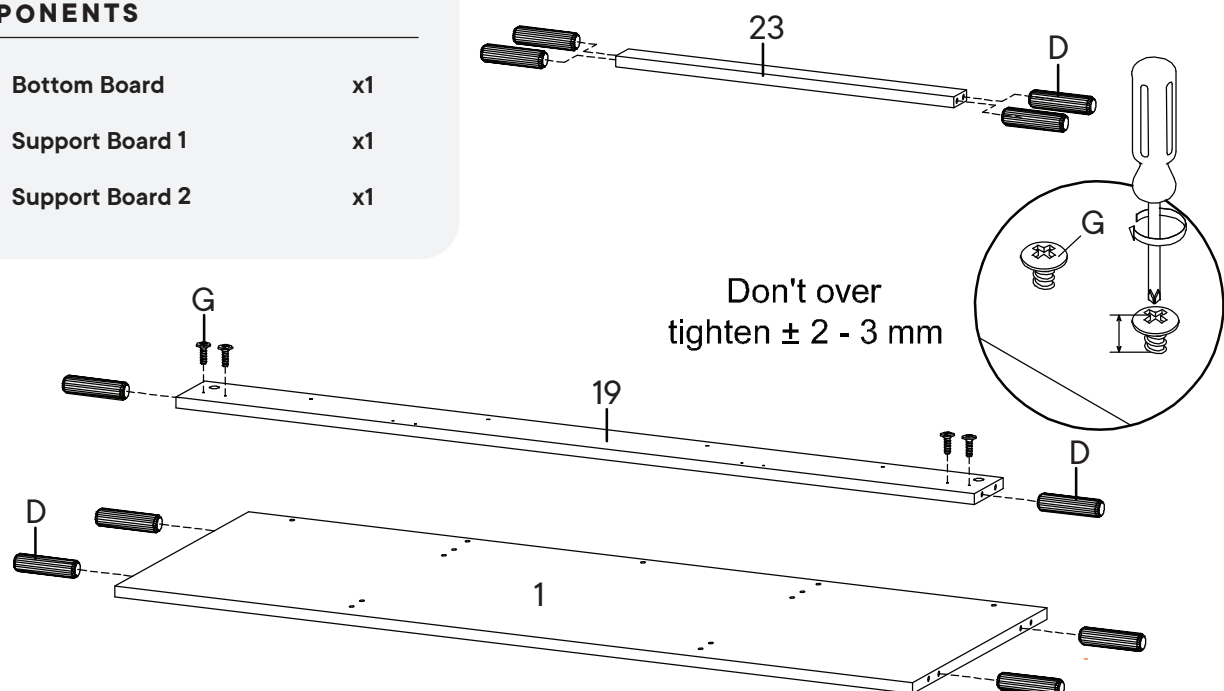
# Step 10

## HARDWARE

- D** Wood Dowel Ø8 x 30 mm x10
- G** Screw M 4.5 x 12.5 mm x4

## COMPONENTS

- 1** Bottom Board x1
- 19** Support Board 1 x1
- 23** Support Board 2 x1





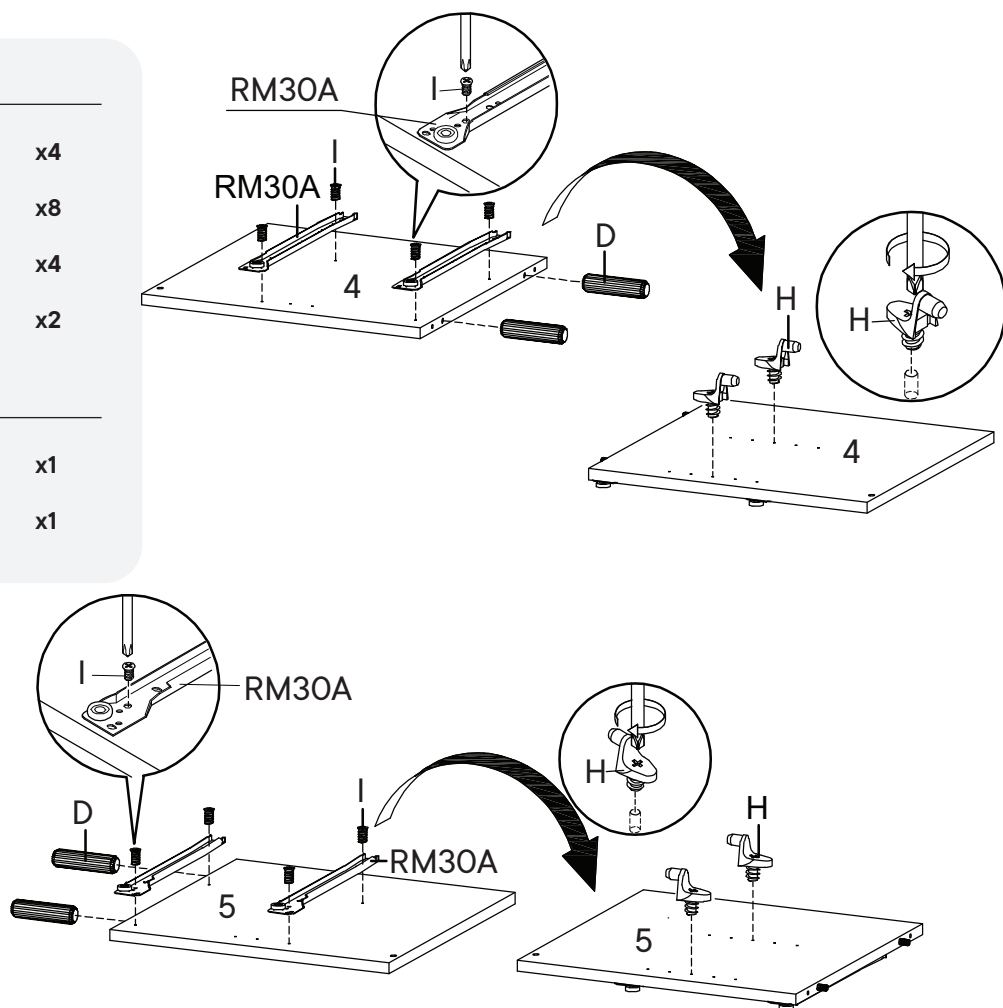
# Step 11

## HARDWARE

- D** Wood Dowel Ø8 x 30 mm x4
- I** Screw M 6 x 10.5 mm x8
- H** Shelf Support x4
- RM30A** Drawer Runner x2

## COMPONENTS

- 4** Center Board Left x1
- 5** Center Board Right x1



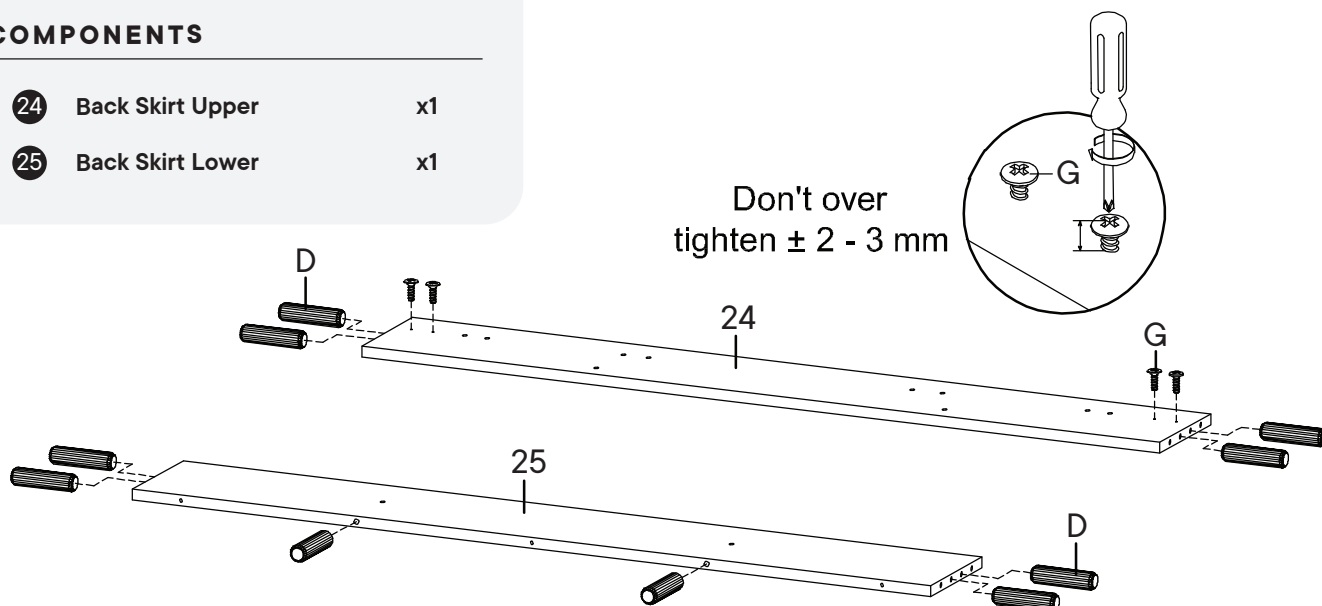
# Step 12

## HARDWARE

- D** Wood Dowel Ø8 x 30 mm x10
- G** Screw M 4.5 x 12.5 mm x4

## COMPONENTS

- 24** Back Skirt Upper x1
- 25** Back Skirt Lower x1



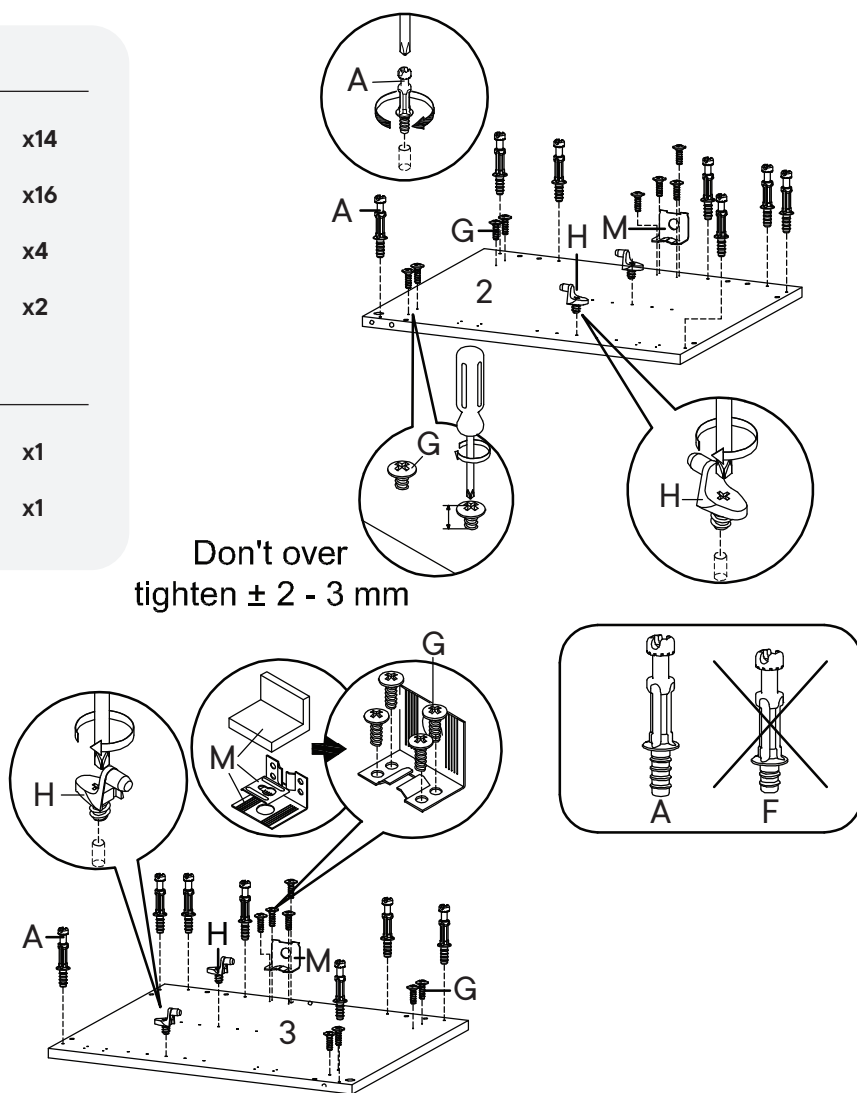
# Step 13

## HARDWARE

- A** Cam Bolt Ø6 x 35 mm x14
- G** Screw M 4.5 x 12.5 mm x16
- H** Shelf Support x4
- M** Hanger + Plastic Cover x2

## COMPONENTS

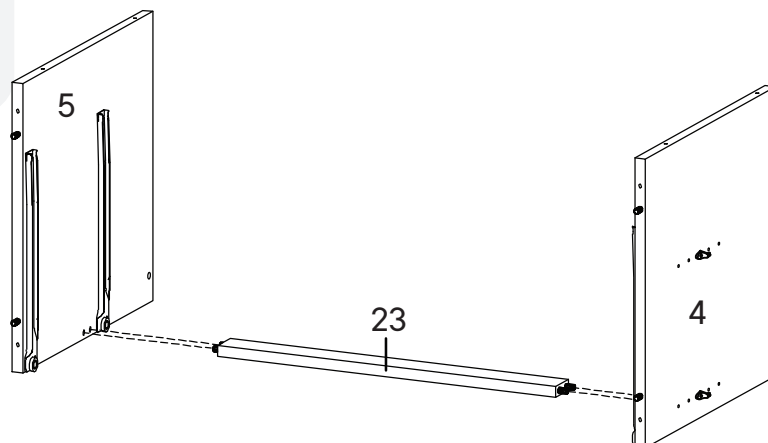
- 2** Side Board Left x1
- 3** Side Board Right x1



# Step 14

## COMPONENTS

- 4** Center Board Left x1
- 5** Center Board Right x1
- 23** Support Board 2 x1



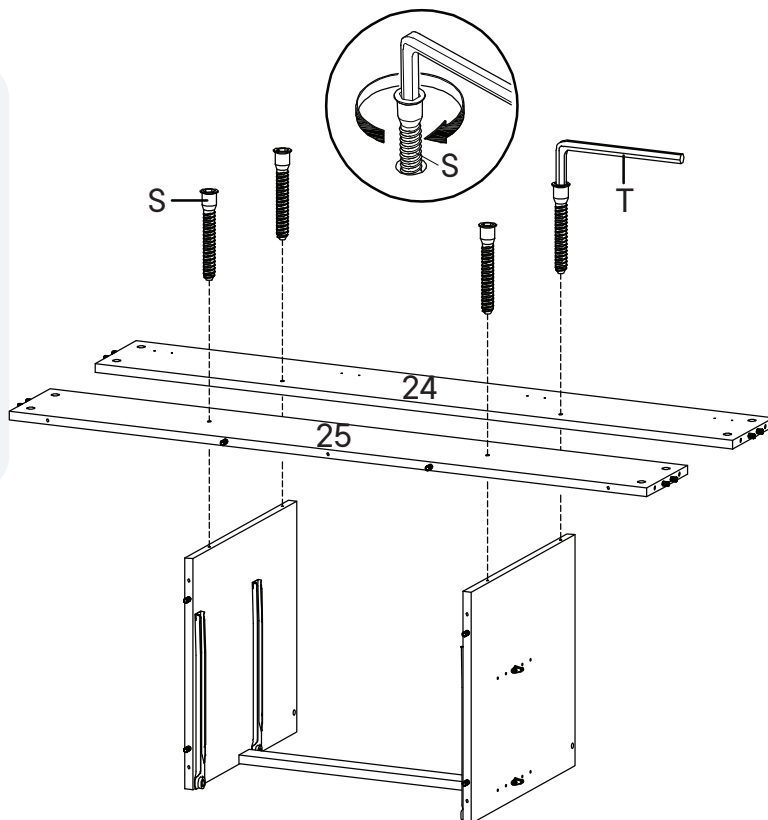
# Step 15

## HARDWARE

- S** Screw M 7 x 50 mm x4
- T** Allen Key x1

## COMPONENTS

- 24** Back Skirt Upper x1
- 25** Back Skirt Lower x1



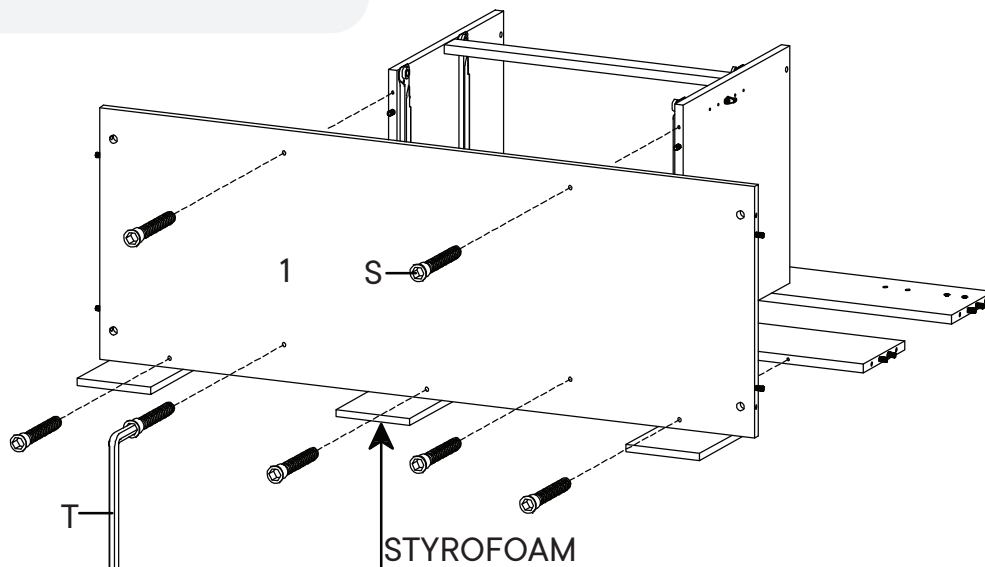
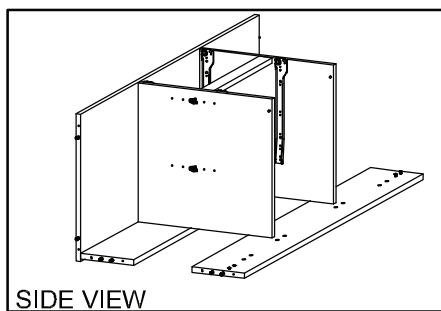
# Step 16

## HARDWARE

- S** Screw M 7 x 50 mm x7
- T** Allen Key x1

## COMPONENTS

- 1** Bottom Board x1



# Step 17

## HARDWARE

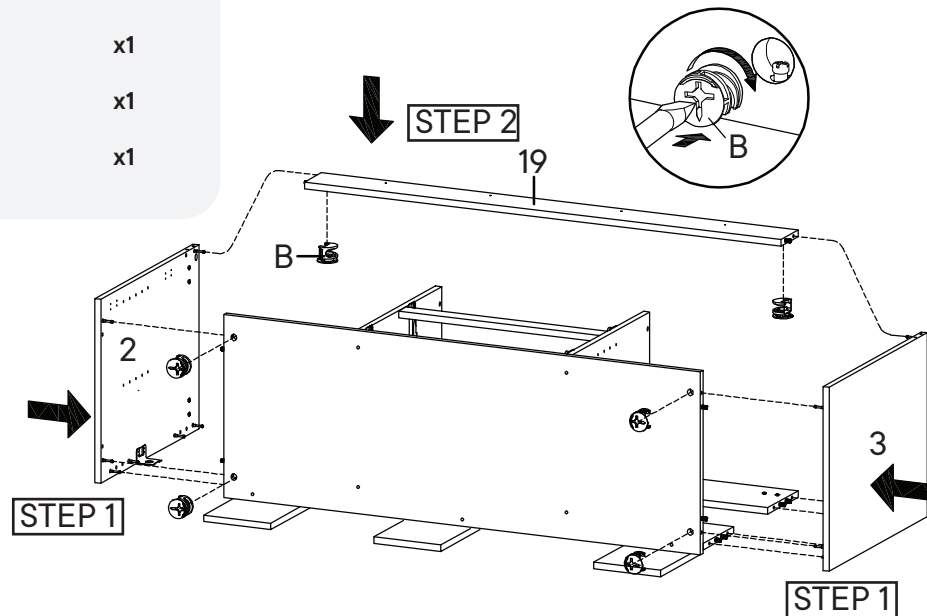
**B** Cam Lock Ø15 mm x6

## COMPONENTS

**2** Side Board Left x1

**3** Side Board Right x1

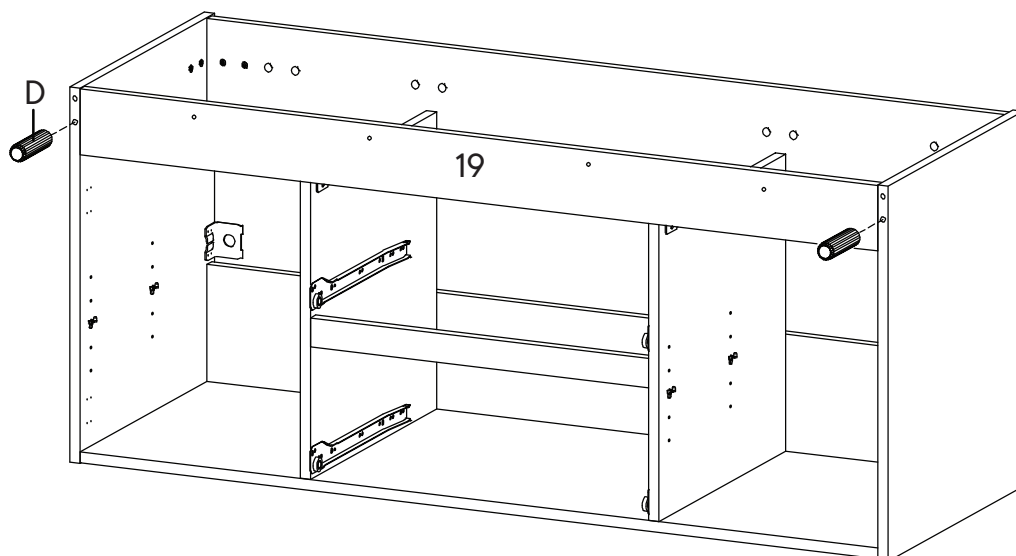
**19** Support Board 1 x1



# Step 18

## HARDWARE

**D** Wood Dowel Ø8 x 30 mm x2



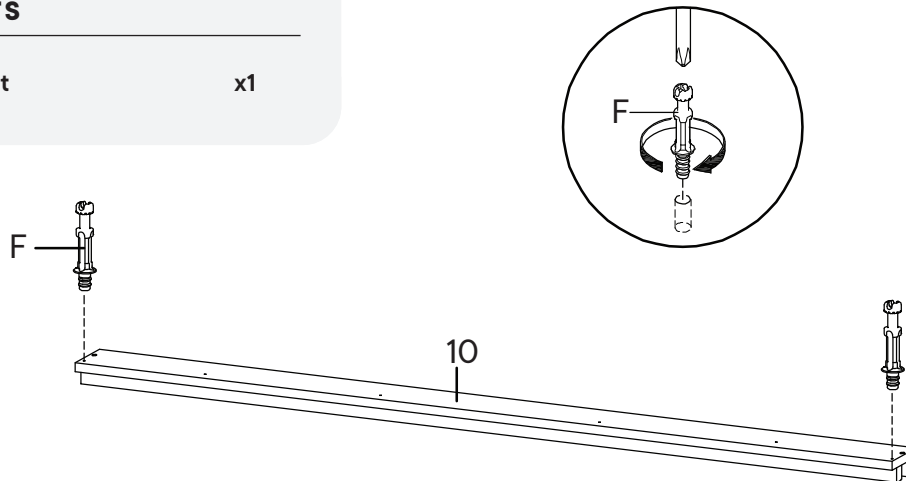
## Step 19

### HARDWARE

**F** Cam Bolt  $\varnothing 6 \times 32$  mm x2

### COMPONENTS

**10** Front Skirt x1



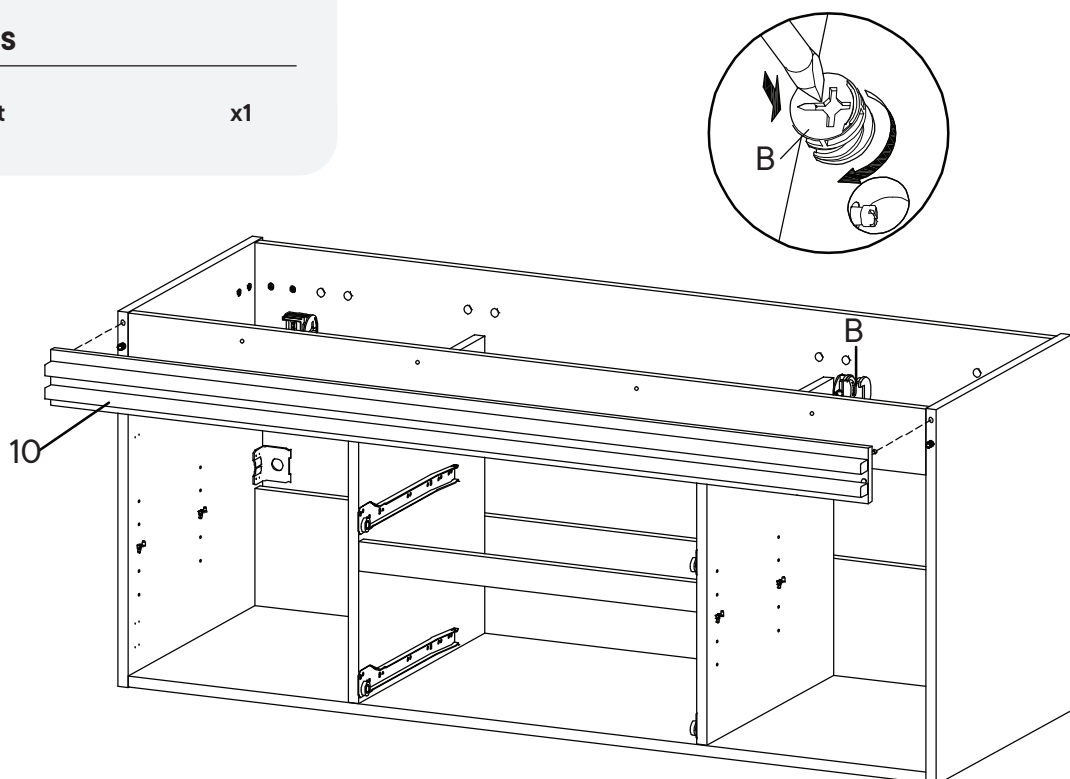
## Step 20

### HARDWARE

**B** Cam Lock  $\varnothing 15$  mm x2

### COMPONENTS

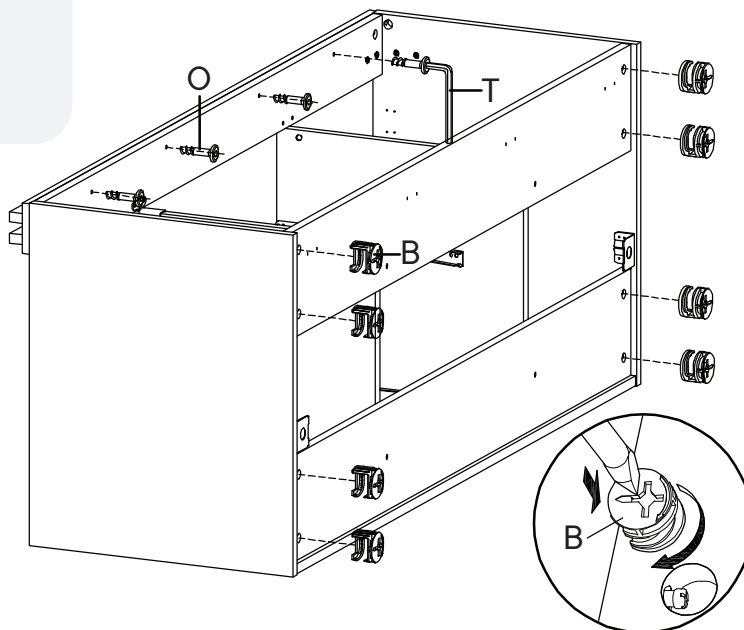
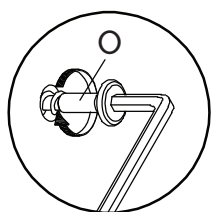
**10** Front Skirt x1



# Step 21

## HARDWARE

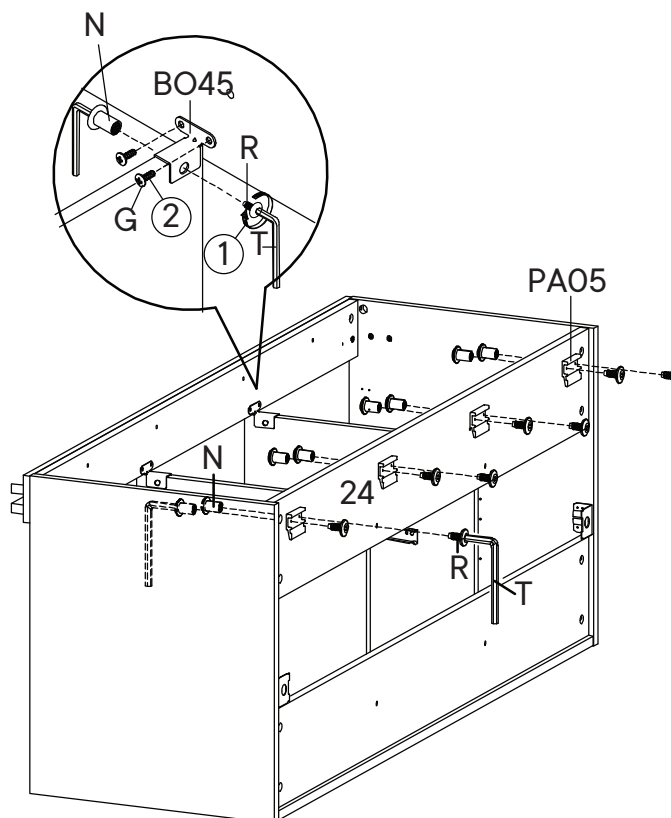
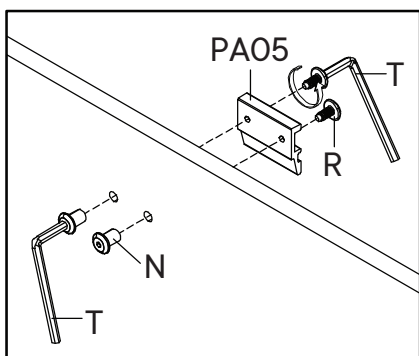
- B** Cam Lock Ø15 mm x8
- O** Screw M 6.4 x 25 mm x4
- T** Allen Key x1



# Step 22

## HARDWARE

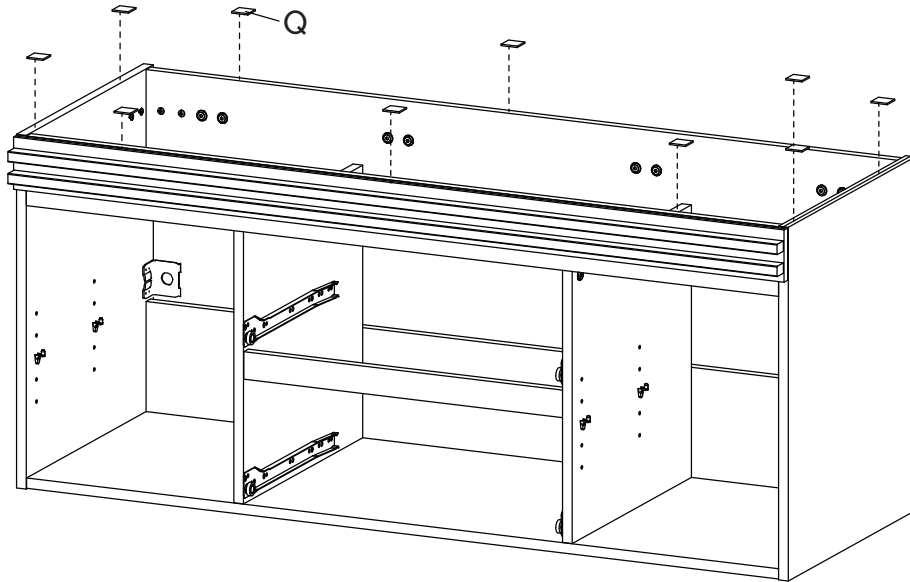
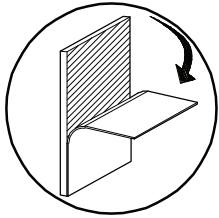
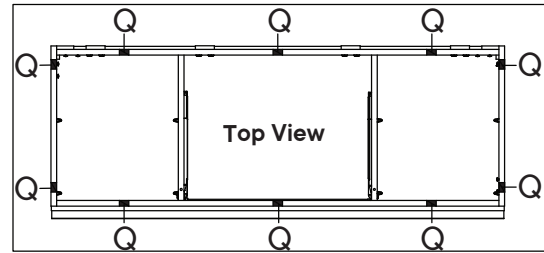
- G** Screw M 4.5 x 12.5 mm x4
- N** JCN Nut x10
- R** Screw M 6 x 15 mm x10
- T** Allen Key x2
- BO45** Support Connecting Bracket x2
- PA05** Short Bracket x4



# Step 23

## HARDWARE

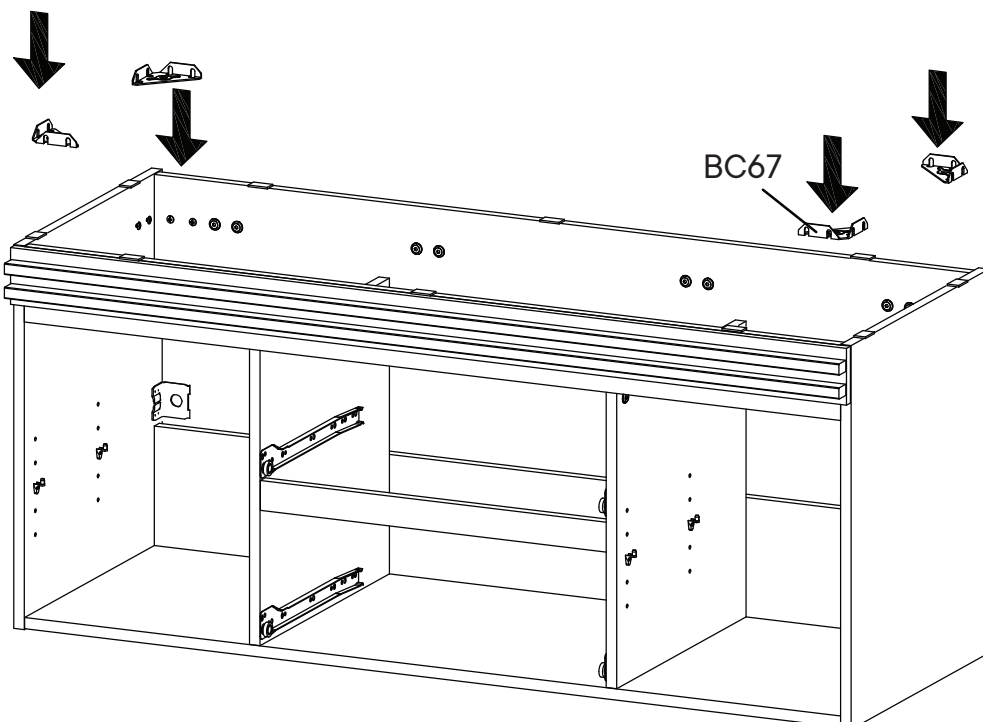
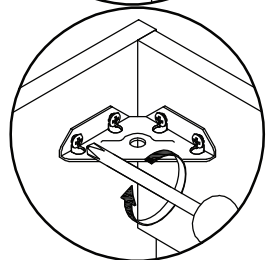
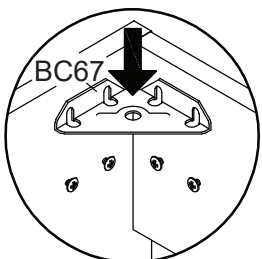
**Q** Foam / Rubber Pad x10



# Step 24

## HARDWARE

**BC67** Bracket x4

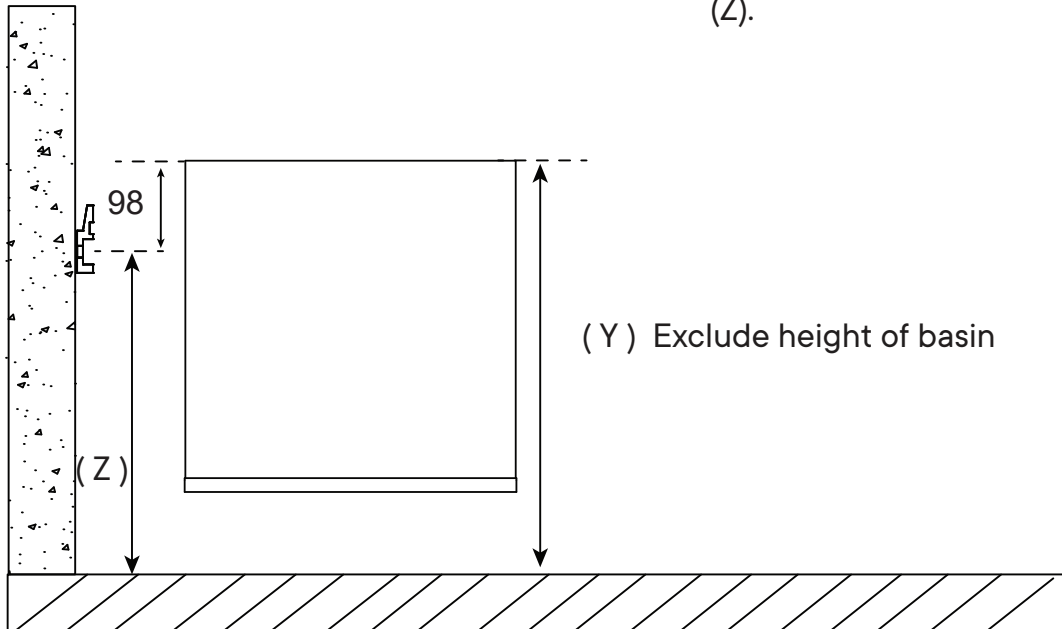


NOTE :  
Tighten all the screw

## Step 25

Determine your desired height (Y), then subtract by 98 mm.

This is the drill holes height from the floor (Z).



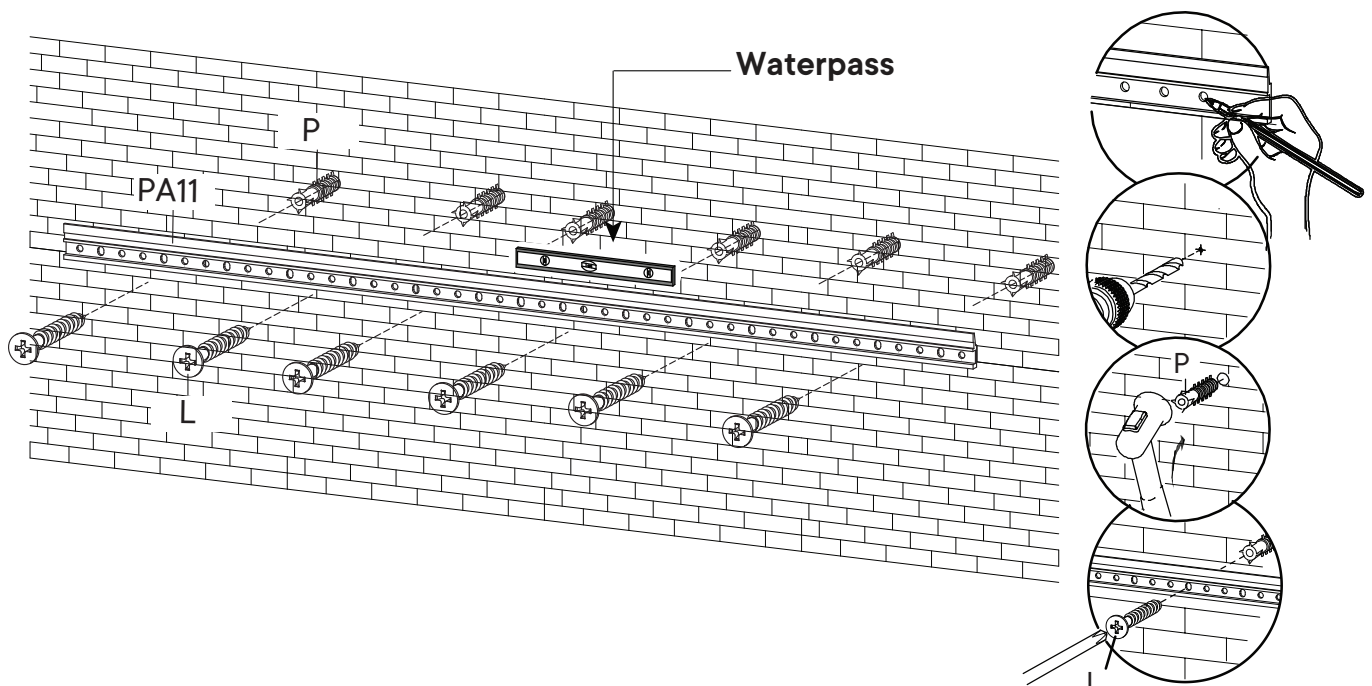
## Step 26

### HARDWARE

- |             |                   |    |
|-------------|-------------------|----|
| <b>L</b>    | Screw 5.5 x 45 mm | x6 |
| <b>P</b>    | Wall Plug         | x6 |
| <b>PA11</b> | Long Bracket      | x1 |

Different wall materials require unique wall fasteners. The wall plugs (P) and screws (L) are designed for fixing to concrete walls only.

Please consult your local hardware store to ensure you are using the correct hardware for your wall type.

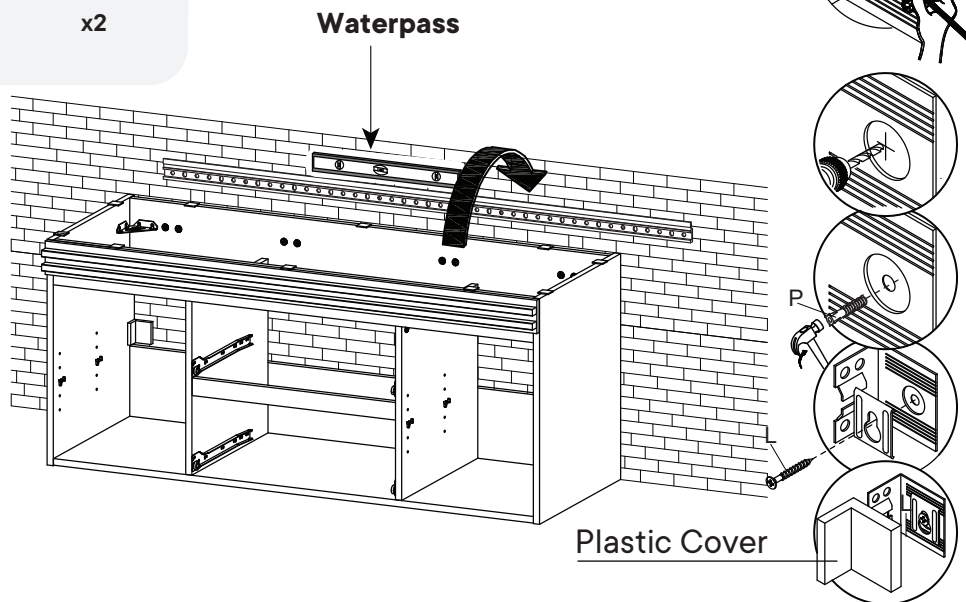
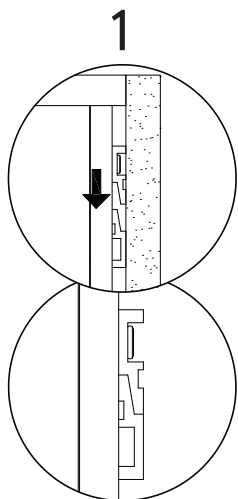




# Step 27

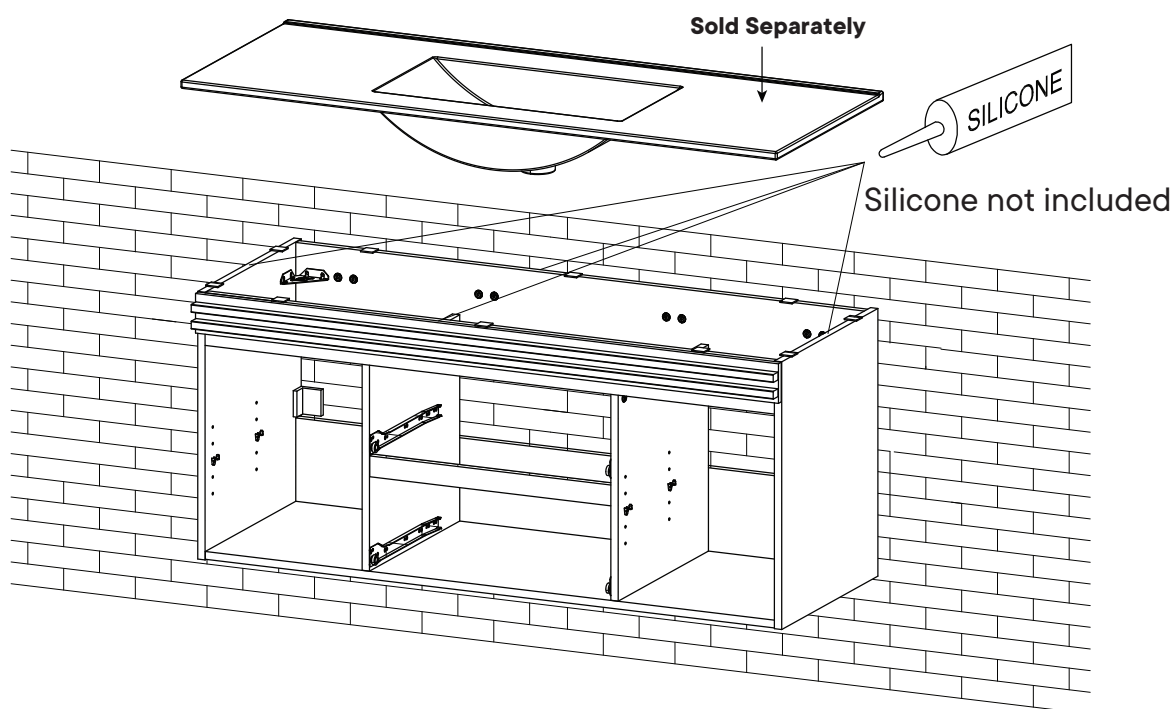
## HARDWARE

- L** Screw 5.5 x 45 mm      x2
- P** Wall Plug                      x2



# Step 28

Apply a thin bead of silicone compound around the vanity base and set the vanity top carefully in place. Remove any excess silicone compound with a wet rag



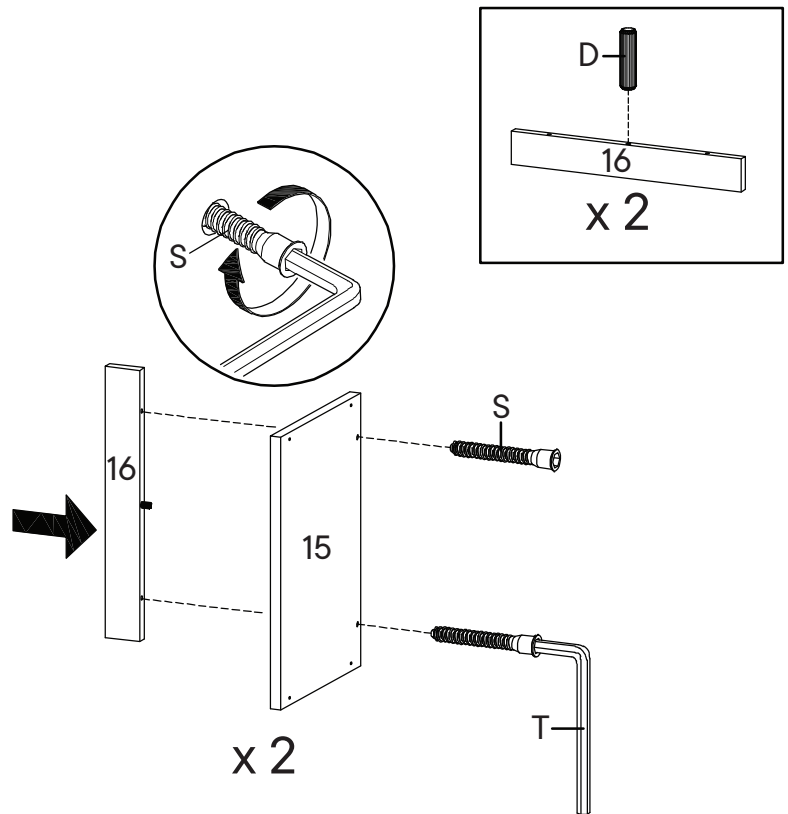
# Step 29

## HARDWARE

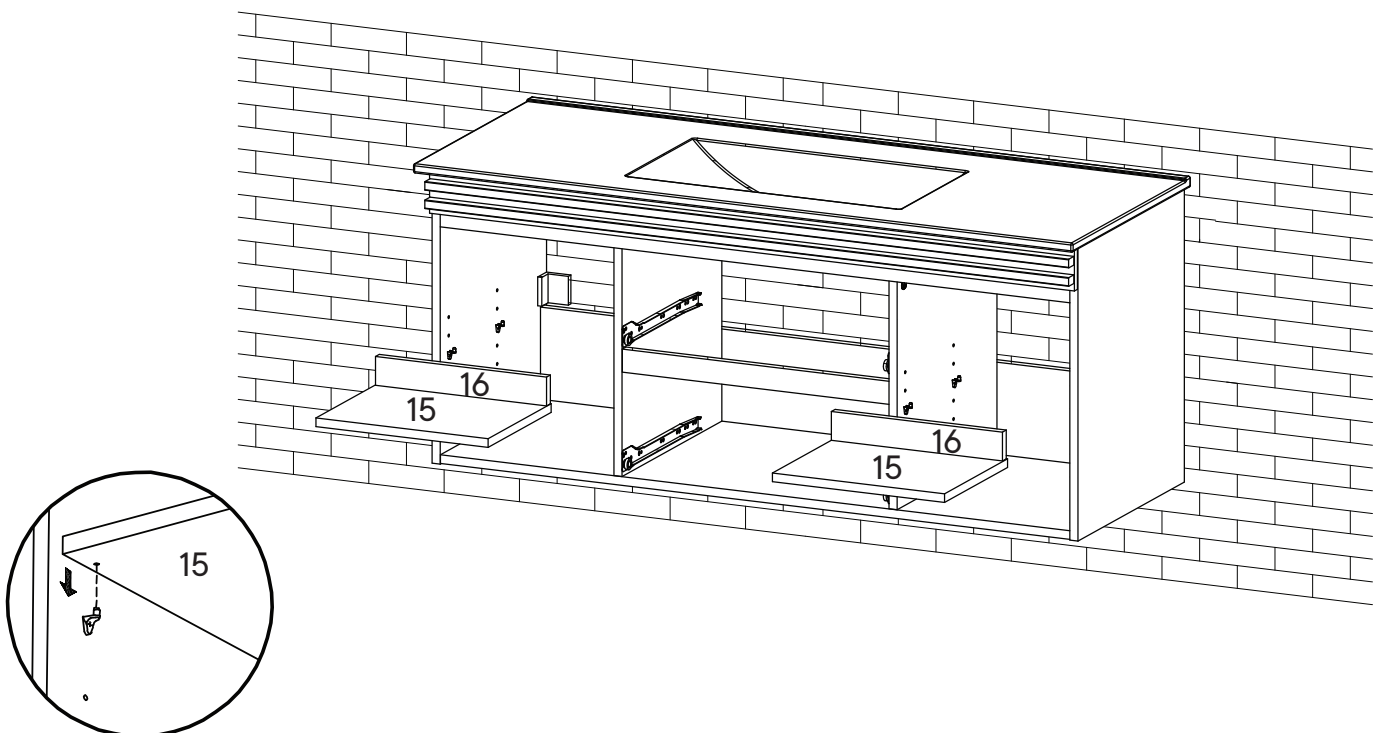
- D** Wood Dowel Ø8 x 30 mm x2
- S** Screw M 7 x 50 mm x4
- T** Allen Key x1

## COMPONENTS

- 15** Adjustable Shelf x2
- 16** Support Adjustable Shelf x2



# Step 30



# Step 31

## HARDWARE

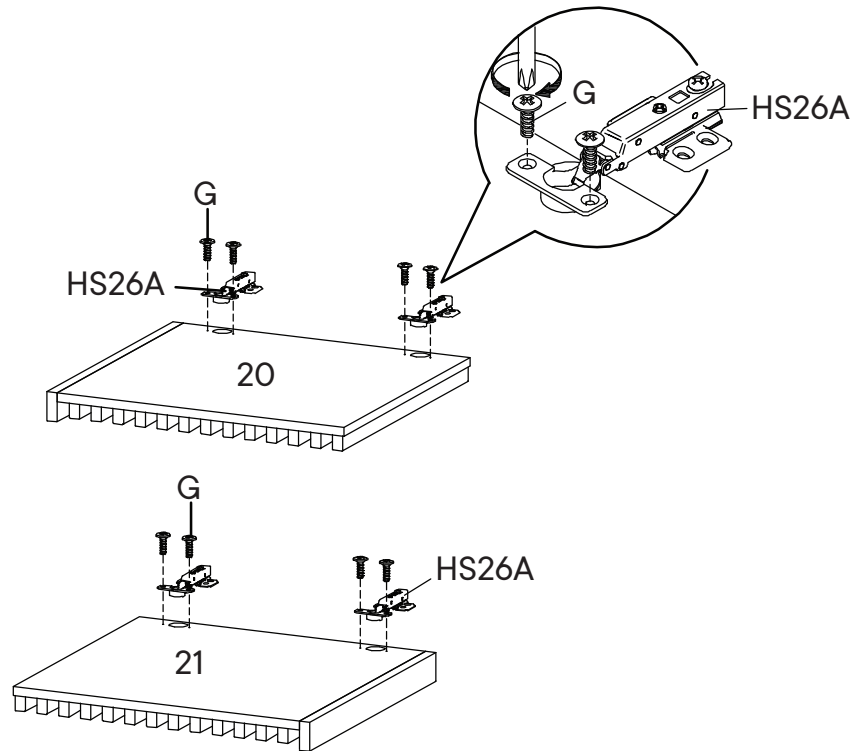
**G** Screw M 4.5 x 12.5 mm x8

**HS26A** Hinge x4

## COMPONENTS

**20** Door Left x1

**21** Door Right x1



# Step 32

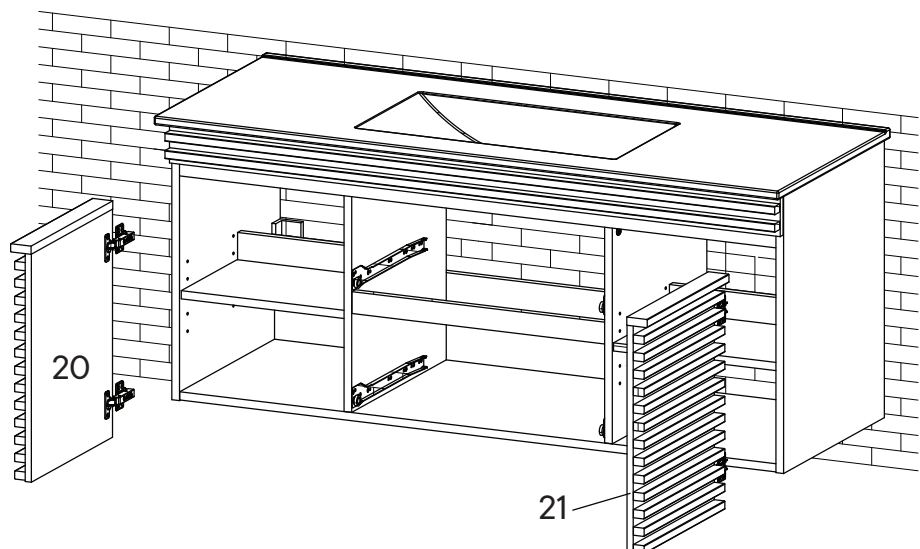
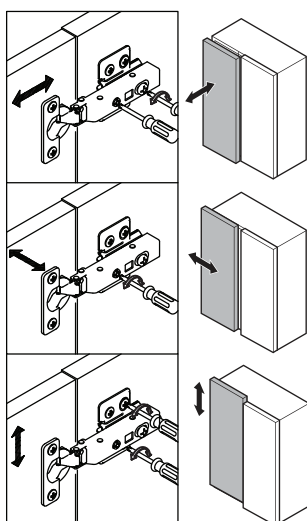
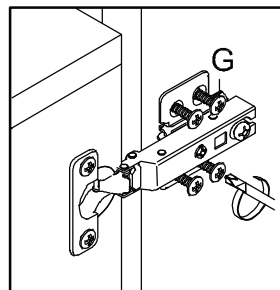
## HARDWARE

**G** Screw M 4.5 x 12.5 mm x16

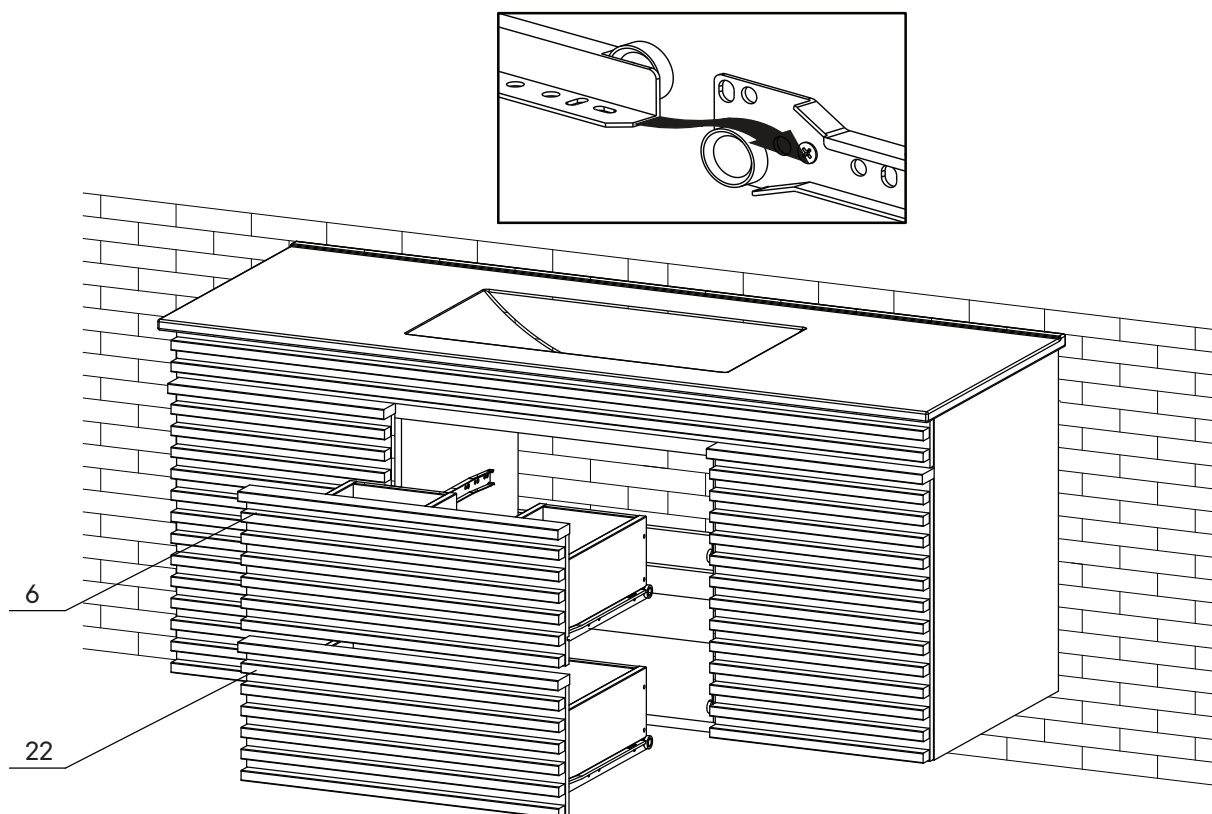
## COMPONENTS

**20** Door Left x1

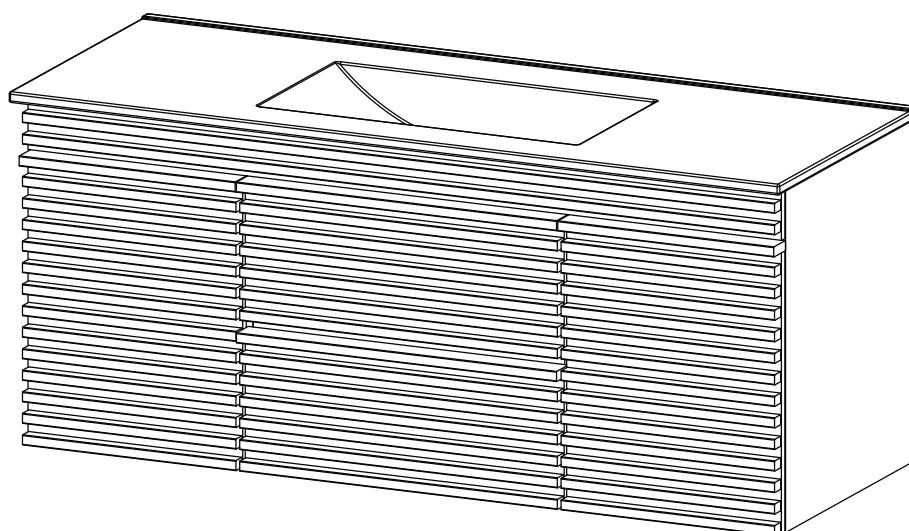
**21** Door Right x1



## Step 33



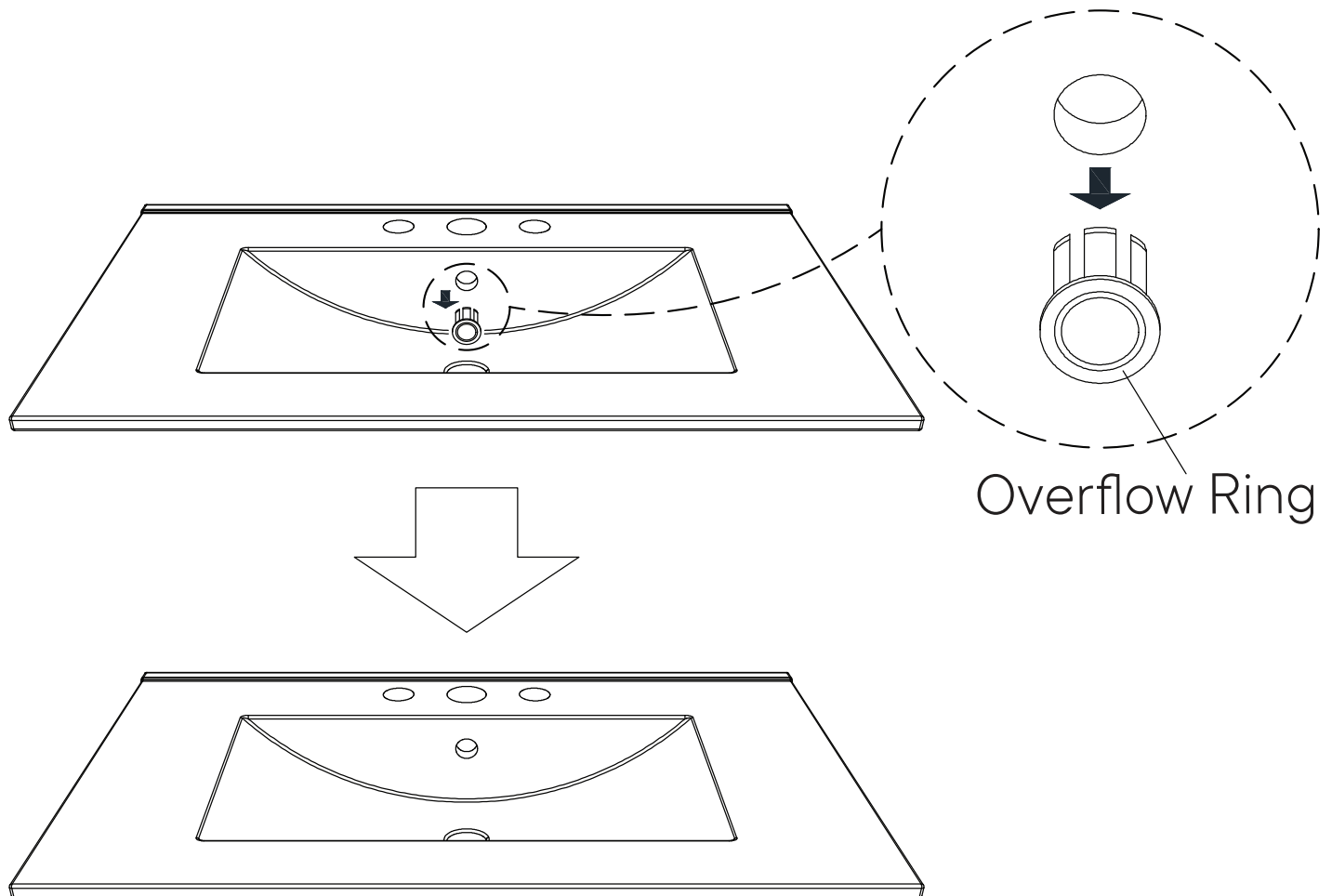
## Step 34



# A quick note...

\*modway

Your sink basin comes complete with a silver overflow ring.  
If you'd like to remove this overflow ring, you can do so by hand.



**Wait!**

**Missing parts or hardware? Need assistance?**

Contact us before returning your item. We're here to help!

609.256.9000 • [cs@modway.com](mailto:cs@modway.com)

# Great job!

Cabinet assembly is complete.

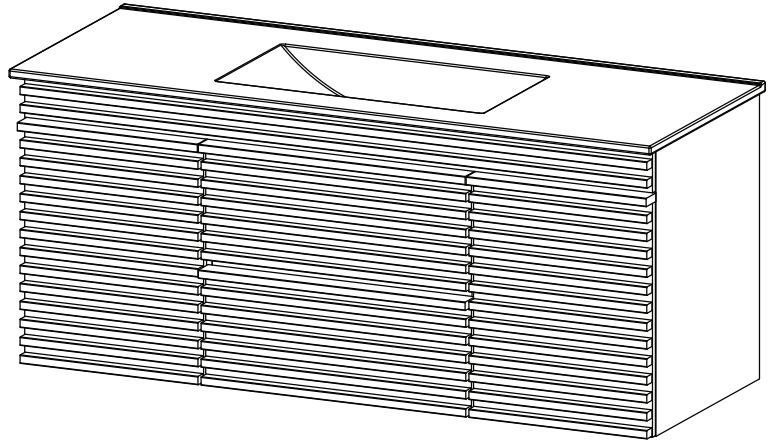
## ♥ CARING FOR YOUR ITEM

Indoor use only.

Not contract grade.

Clean using a non-abrasive cloth and a mild cleaner.

Never use harsh chemicals, as they could damage the finish or integrity of the item.



CONNECT WITH US!   

Tag us [@modway\\_furniture](#) and [#modway](#) for a chance to be featured.