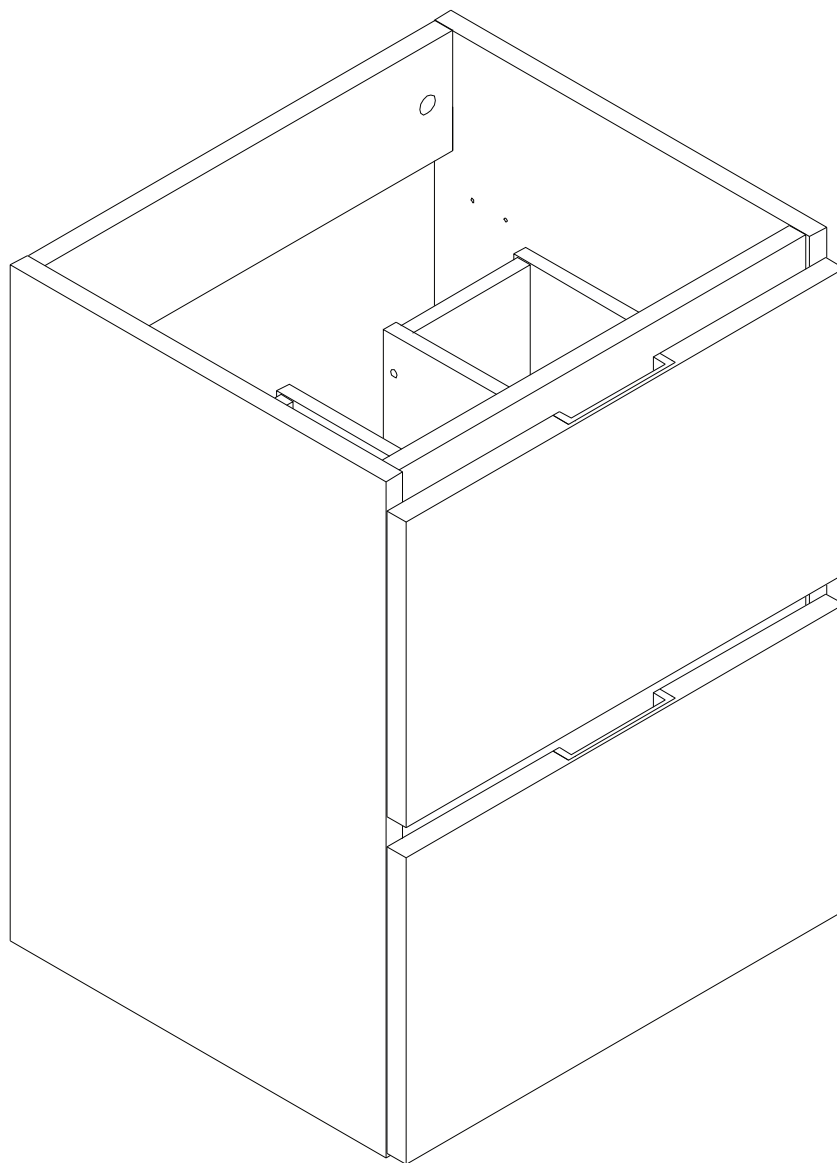


ASSEMBLY INSTRUCTIONS

EEI-5878

V1.01.24.22



Questions? Contact us!

609.256.9000 • cs@modway.com
www.modway.com

*modway

Let's get started!

*modway



Read through all of the instructions before starting



Care instructions are listed in the last step of this manual



Approx. 75 minutes assembly time



Make sure you have all parts and components before discarding any packing materials



2 people recommended for assembly

Only use hand tools to assemble this item. Do not use power tools. Do not tighten bolts or screws completely until all hardware is lined up and inserted into the holes.

Do not over-tighten screws and bolts to avoid stripping the hardware or cracking the item.

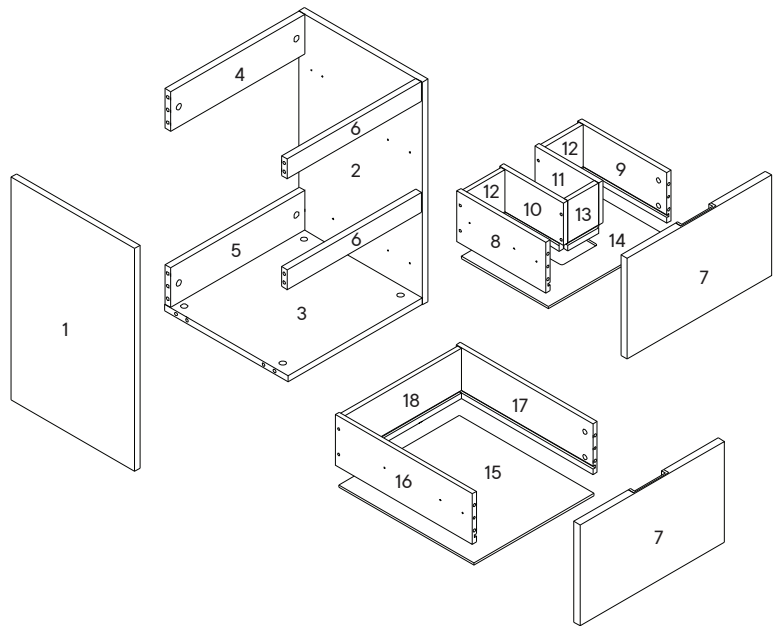
For vanity and plumbing installation, we suggest hiring a professional contractor and plumber.

Assemble your item on a flat, carpeted area, with plenty of space to work. This will prevent damage and scratches to your floors or the item while you're assembling the product.

Keep all components and packaging out of reach of children or animals to avoid risk of choking or suffocation.

Furniture components:

1	Left Side Panel	x1	10	Drawer Side L 2	x1
2	Right Side Panel	x1	11	Drawer Side R 2	x1
3	Bottom Panel	x1	12	Drawer Back 1	x2
4	Back Panel 1	x1	13	Drawer Back 2	x1
5	Back Panel 2	x1	14	Drawer Panel 1	x1
6	Front Rail	x2	15	Drawer Panel 2	x1
7	Drawer Front	x2	16	Drawer Side L 3	x1
8	Drawer Side L 1	x1	17	Drawer Side R 3	x1
9	Drawer Side R 1	x1	18	Drawer Back 3	x1



Provided hardware:

A		Wood Dowel M8 x 25mm	x16	H		Bearing Runner 300mm	x1 Pair
B		Cam Bolt Ø6 x 24mm	x20	I		Screw 4 x 12mm	x24
C		Cam Lock Ø15	x12	J		Cam Lock Ø12	x8
D		Bracket/L-Hanger	x1	K		Wood Dowel M6 x 25mm	x4
E		Bracket/R-Hanger	x1	L		Screw 9 x 38mm	x16
F		Screw 4 x 28mm	x4	M		Rubber Pad	x4
G		Bearing Runner 250mm	x1 Pair				

What you need:

Phillips Head Screwdriver

You may also need:

- + Power Drill
- + Level
- + Silicone Adhesive or Caulk
- + Drywall Anchors and Screws
- + Other Wall-Mounting Hardware

Wait!

Missing parts or hardware? Need assistance?
Contact us before returning your item. We're here to help!
609.256.9000 • cs@modway.com

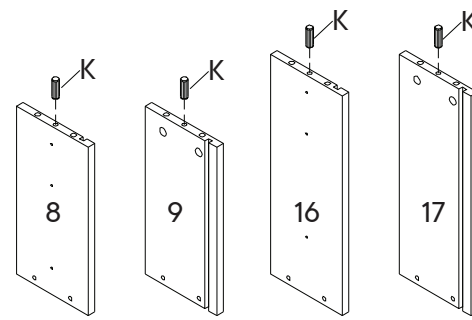
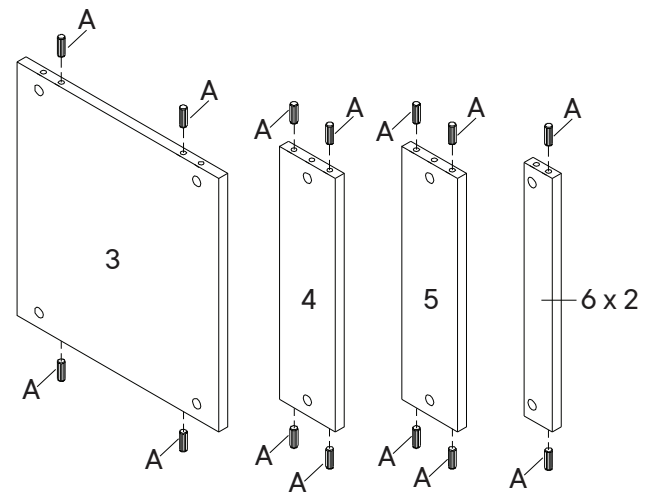
Step 1

HARDWARE

- A** Wood Dowel M8 x 25mm x16
- K** Wood Dowel M6 x 25mm x4

COMPONENTS

- 3** Bottom Panel x1
- 4** Back Panel 1 x1
- 5** Back Panel 2 x1
- 6** Front Rail x2
- 8** Drawer Side L 1 x1
- 9** Drawer Side R 1 x1
- 16** Drawer Side L 3 x1
- 17** Drawer Side R 3 x1



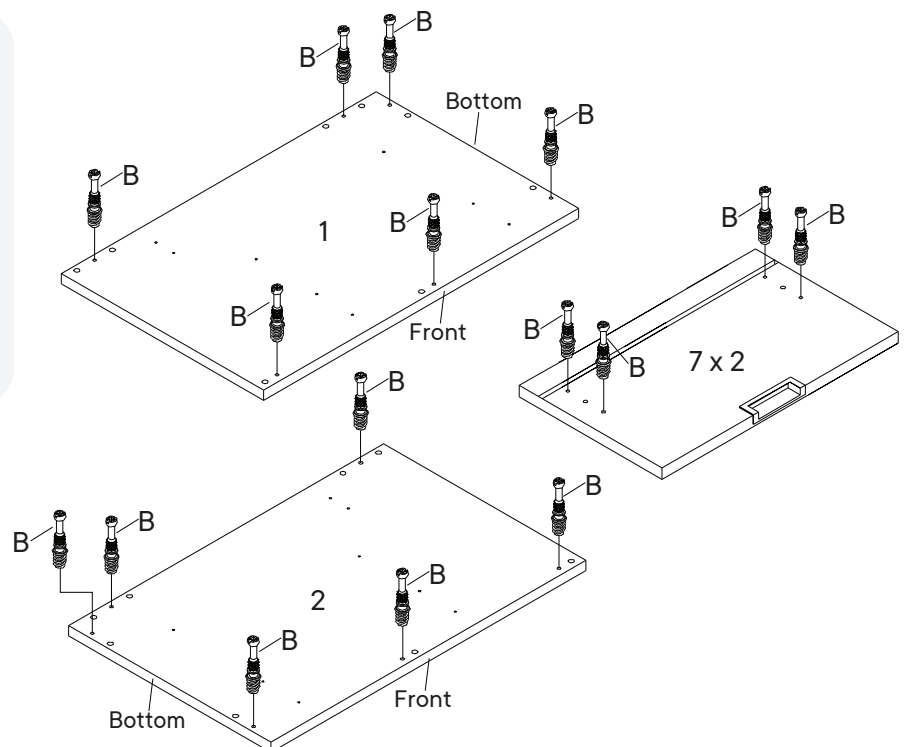
Step 2

HARDWARE

- B** Cam Bolt $\varnothing 6 \times 24\text{mm}$ x20

COMPONENTS

- 1** Left Side Panel x1
- 2** Right Side Panel x1
- 7** Drawer Front x2



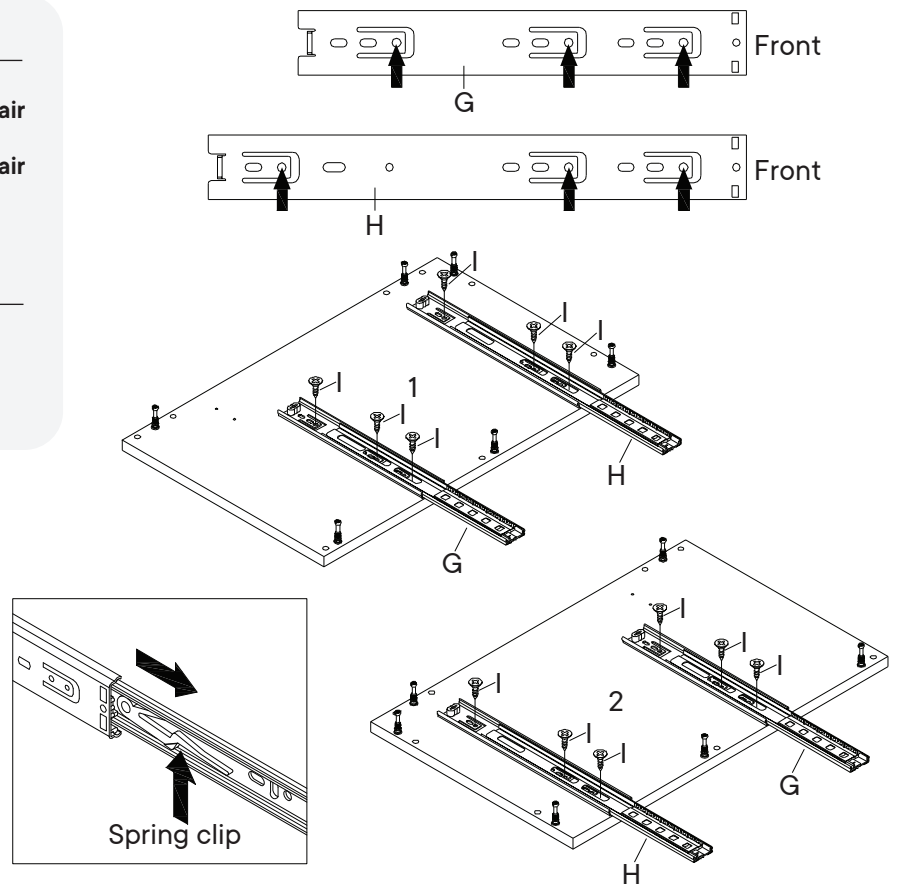
Step 3

HARDWARE

- G** Bearing Runner 250mm x1 Pair
- H** Bearing Runner 300mm x1 Pair
- I** Screw 4 x 12mm x12

COMPONENTS

- 1** Left Side Panel x1
- 2** Right Side Panel x1



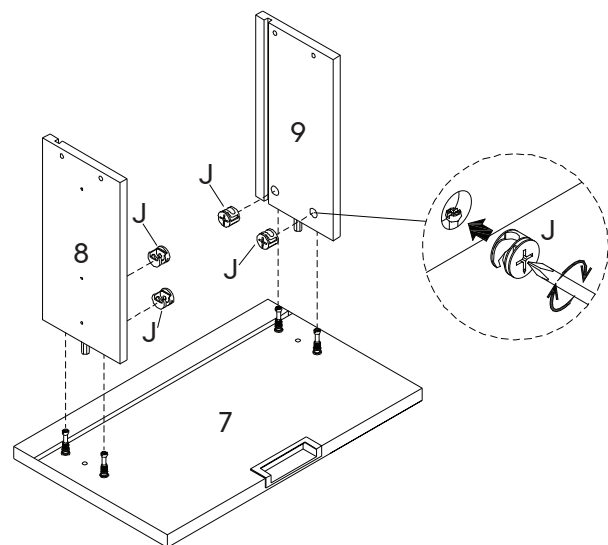
Step 4

HARDWARE

- J** Cam Lock Ø12 x4

COMPONENTS

- 7** Drawer Front x1
- 8** Drawer Side L 1 x1
- 9** Drawer Side R 1 x1



Step 5

HARDWARE

L Screw 9 x 38mm x8

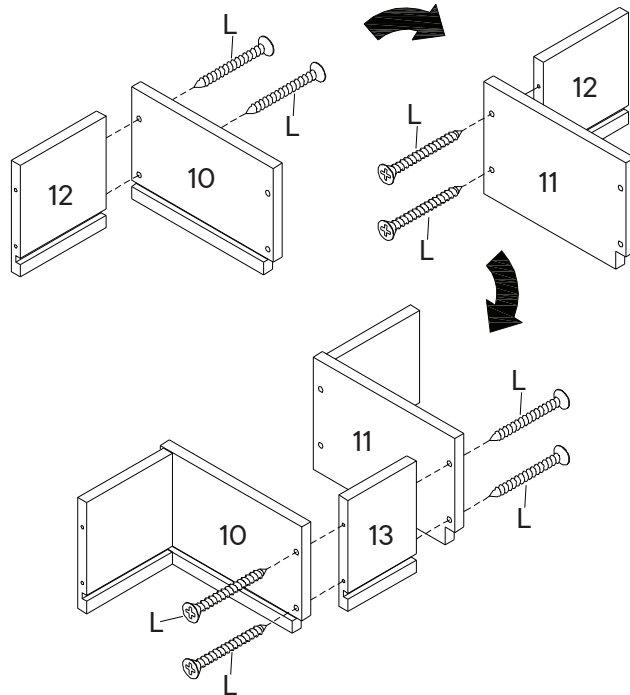
COMPONENTS

10 Drawer Side L 2 x1

11 Drawer Side R 2 x1

12 Drawer Back 1 x2

13 Drawer Back 2 x1

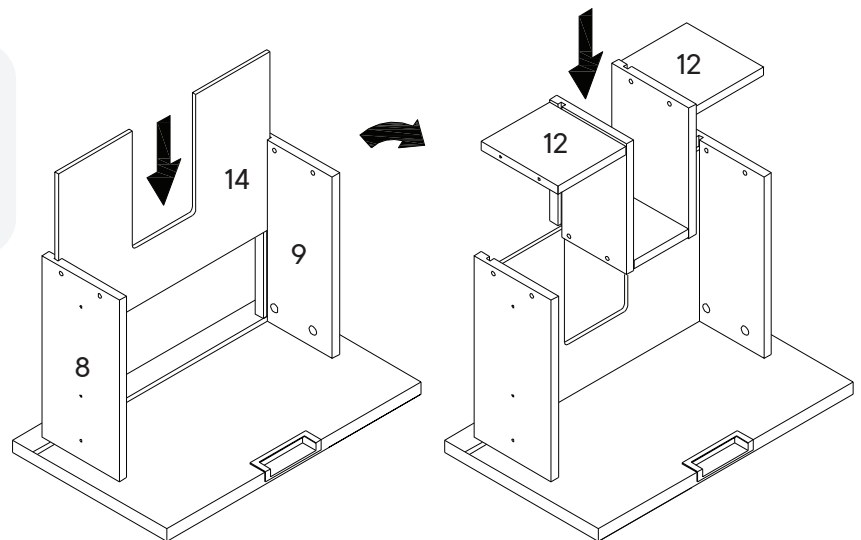


Step 6

COMPONENTS

14 Drawer Panel 1 x1

12 Drawer Back 1 x2



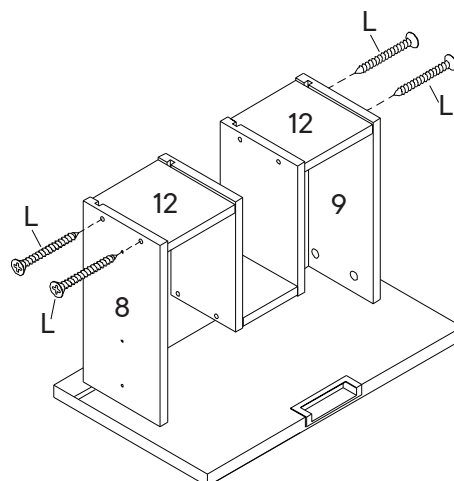
Step 7

HARDWARE

L Screw 9 x 38mm x4

COMPONENTS

12 Drawer Back 1 x2



Step 8

HARDWARE

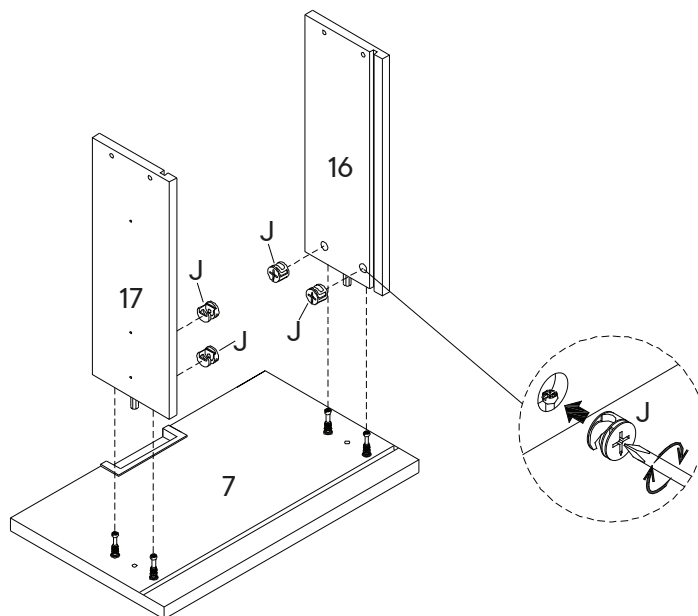
J Cam Lock Ø12 x4

COMPONENTS

7 Drawer Front x1

16 Drawer Side L 3 x1

17 Drawer Side R 3 x1



Step 9

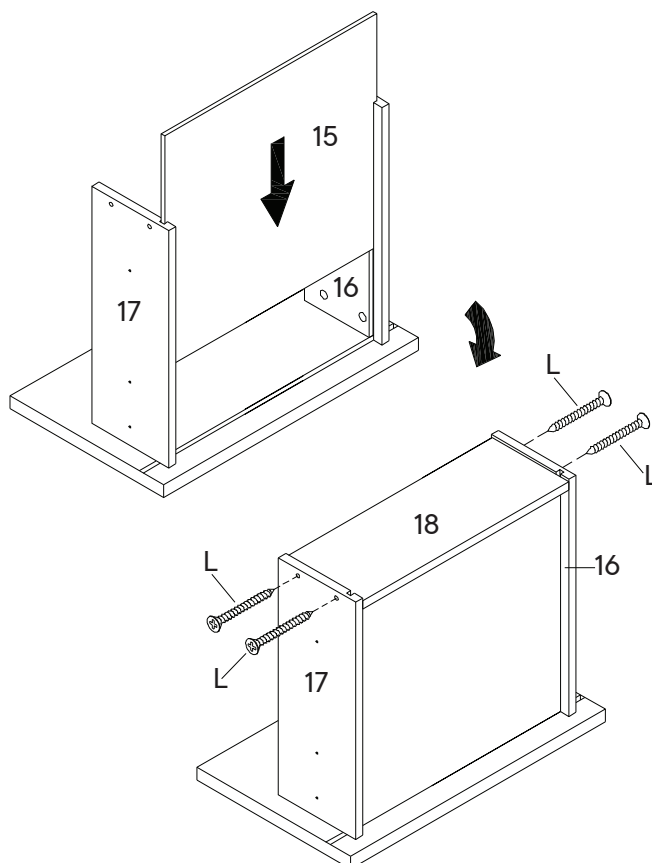
HARDWARE

L Screw 9 x 38mm x4

COMPONENTS

15 Drawer Panel x1

18 Drawer Back 3 x1



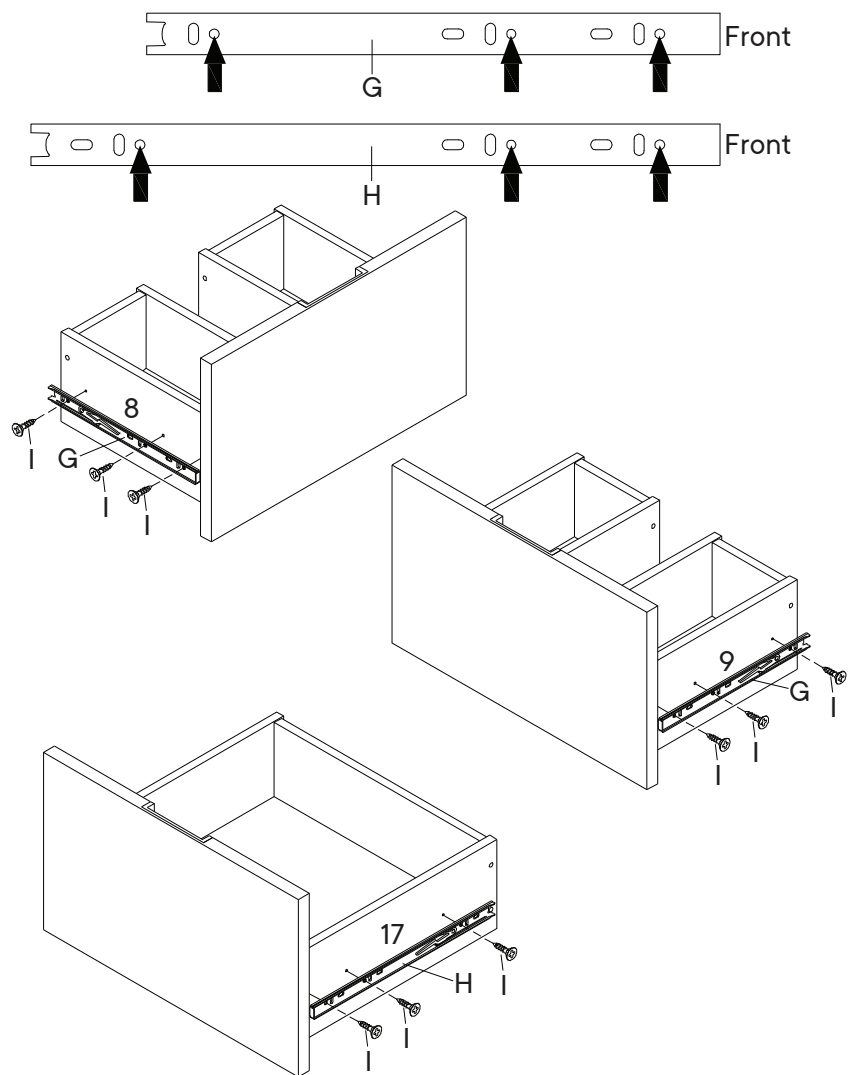
Step 10

HARDWARE

- G** Bearing Runner 250mm x1 Pair
- H** Bearing Runner 300mm x1 Pair
- I** Screw 4 x 12mm x12

COMPONENTS

- 8** Drawer Side L 1 x1
- 9** Drawer Side R 1 x1
- 16** Drawer Side L 3 x1
- 17** Drawer Side R 3 x1



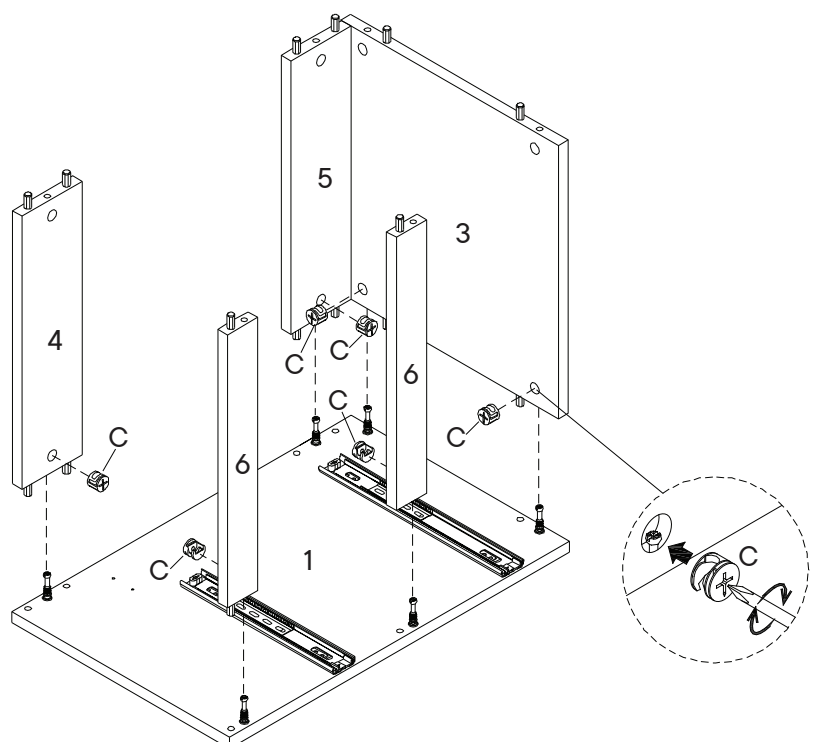
Step 11

HARDWARE

- C** Cam Lock Ø15 x6

COMPONENTS

- 1** Left Side Panel x1
- 3** Bottom Panel x1
- 4** Back Panel 1 x1
- 5** Back Panel 2 x1
- 6** Front Rail x2



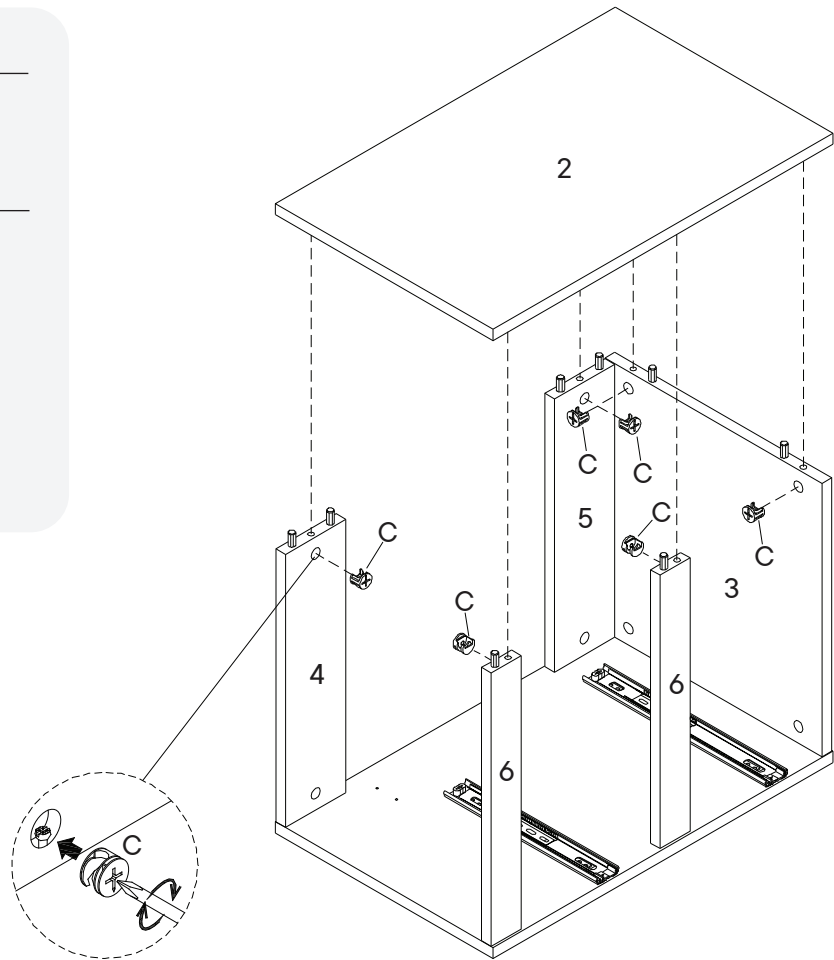
Step 12

HARDWARE

- C** Cam Lock Ø15 x6

COMPONENTS

- 2** Right Side Panel x1
- 3** Bottom Panel x1
- 4** Back Panel 1 x1
- 5** Back Panel 2 x1
- 6** Front Rail x2



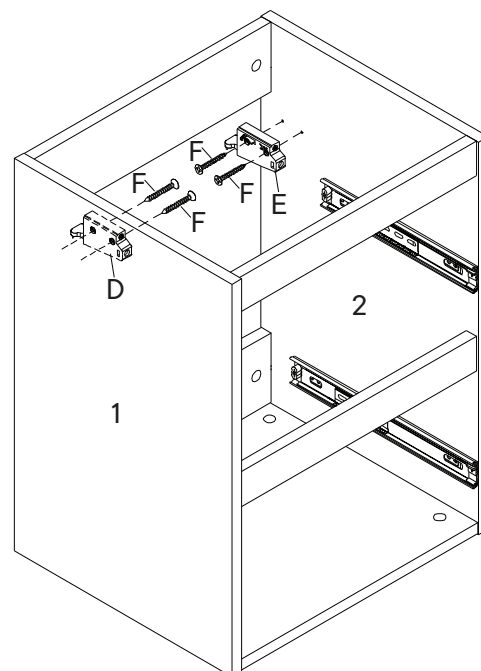
Step 13

HARDWARE

- D** Bracket-L/Hanger x1
- E** Bracket-R/Hanger x1
- F** Screw 4 x 28mm x4

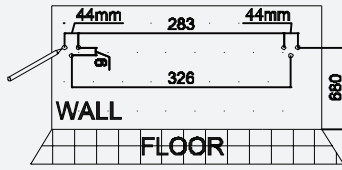
COMPONENTS

- 1** Left Side Panel x1
- 2** Right Side Panel x1

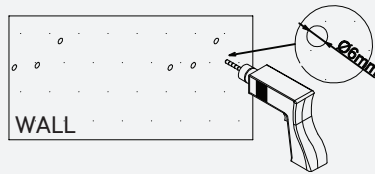


Step 14

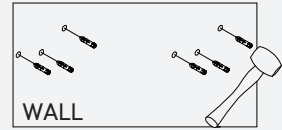
Wall Bracket Installation Guide



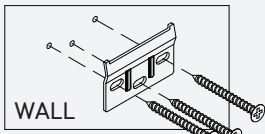
Measurement Guide
All units are in millimeters.



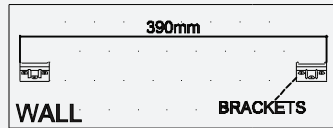
14.1 Use a drill to make all pilot holes.



14.2 Insert a Drywall Anchor into each of the nine holes.

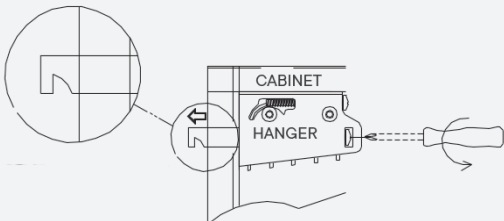


14.3 Install bracket with 3 screws.
Repeat with other brackets.

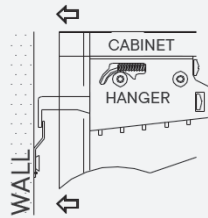


14.4 Ensure your bracket measurements are correct before moving on to attaching the cabinet to the wall.

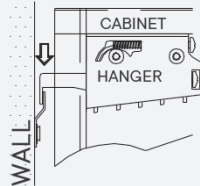
Cabinet-to-Wall Installation Guide



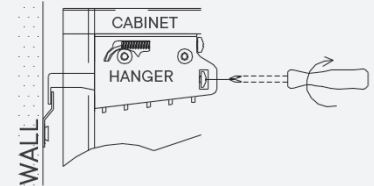
14.5 Set the hanger latch as shown.



14.6 Hook cabinet onto latch.



14.7 Push cabinet down onto latch.

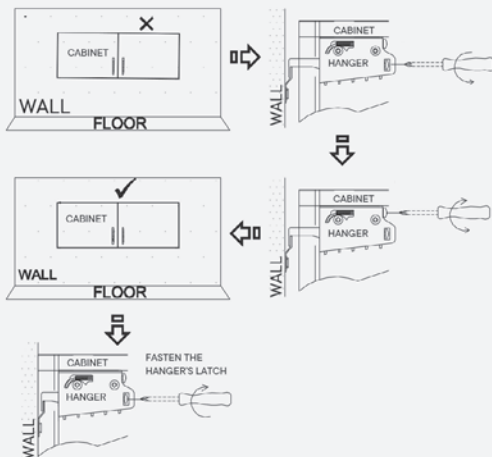


14.8 Fasten the hanger's latch with the screw.

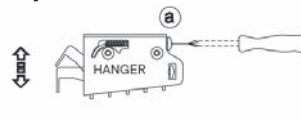
Is the cabinet not hanging quite right?

Here are some adjustment tips.

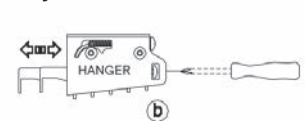
If your cabinet isn't level, follow this guide.



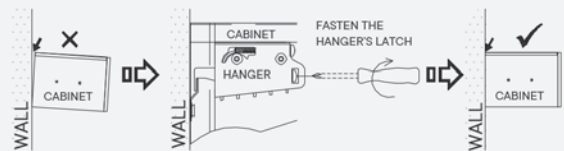
Adjustment Screw A



Adjustment Screw B



If your cabinet is pulling away from the wall, follow this guide.



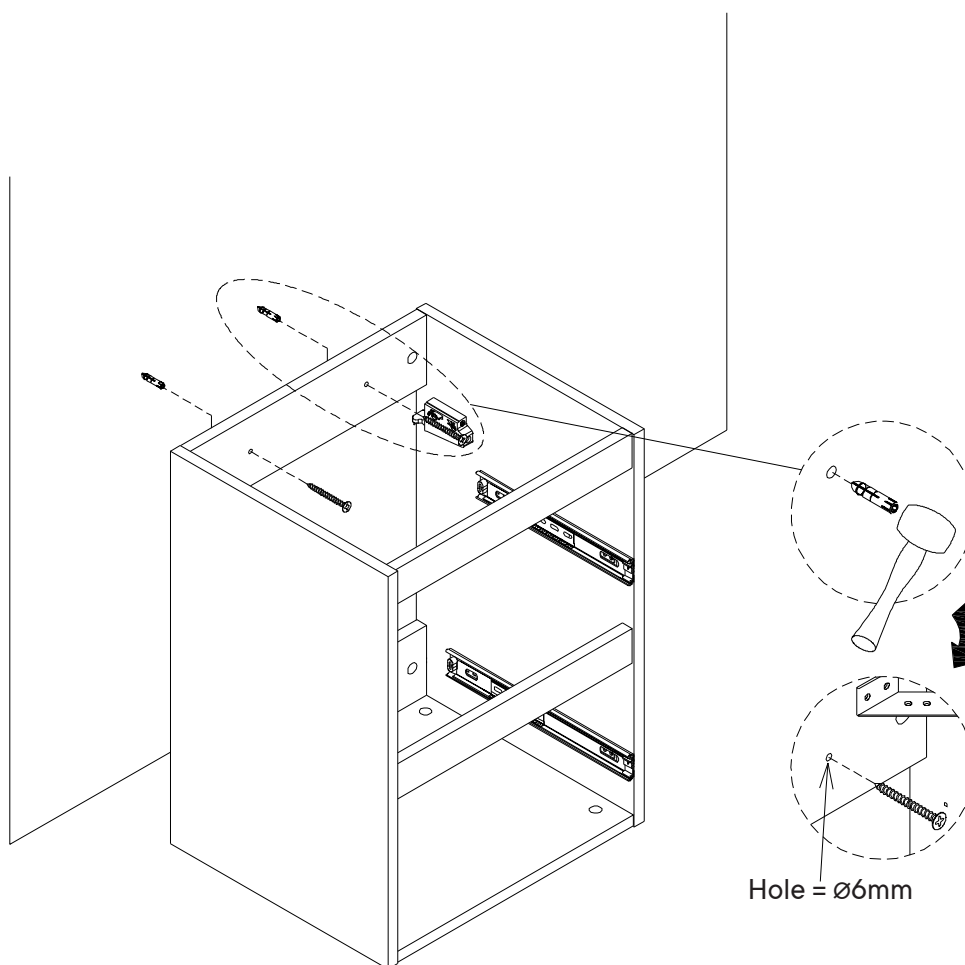
14.9 Once the cabinet is installed and adjusted, install the latch covers.



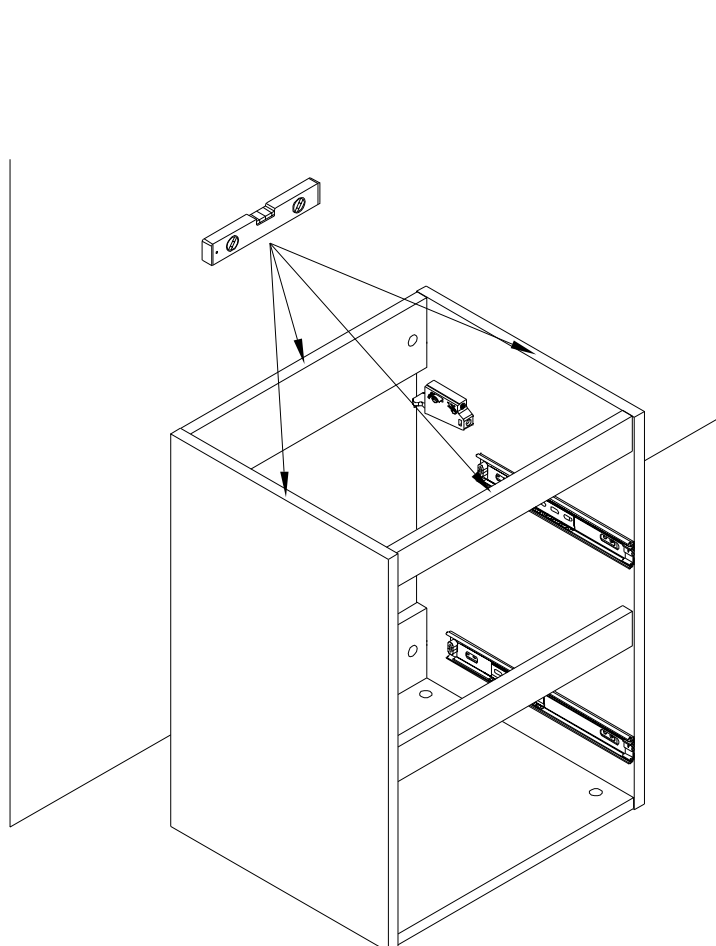
Step 15

NOTE: Mounting hardware and tools are not included.

We suggest professional installation.



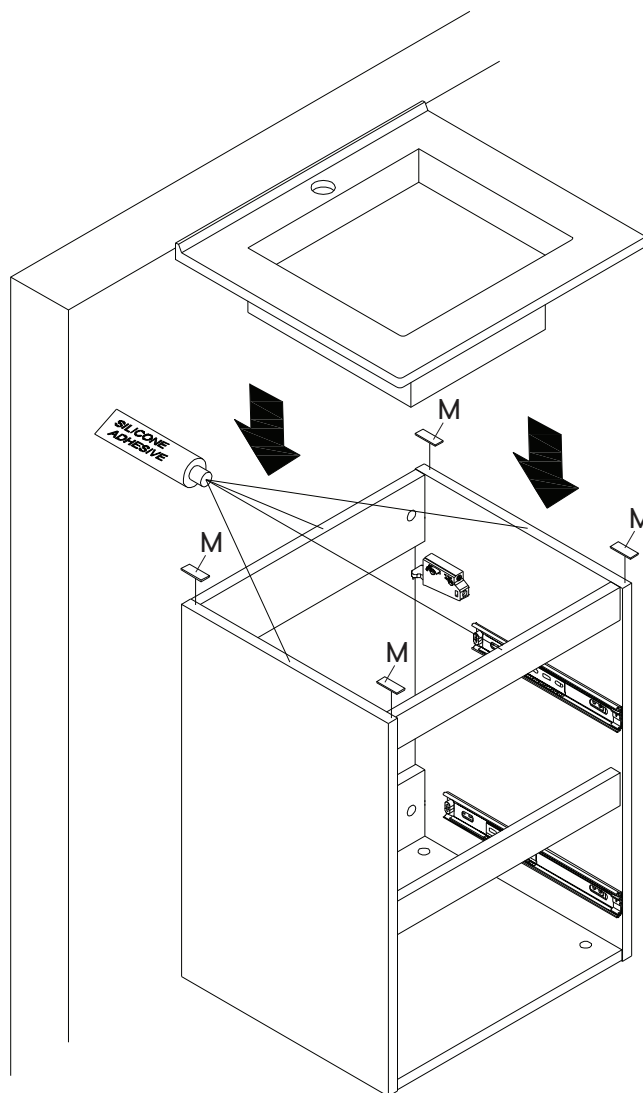
Step 16



Step 17

HARDWARE

M Rubber Pad x4

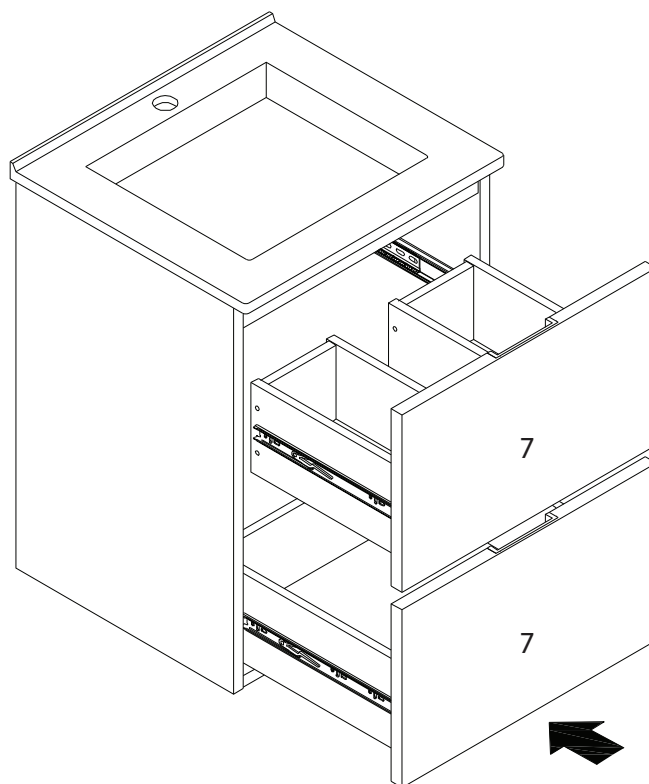
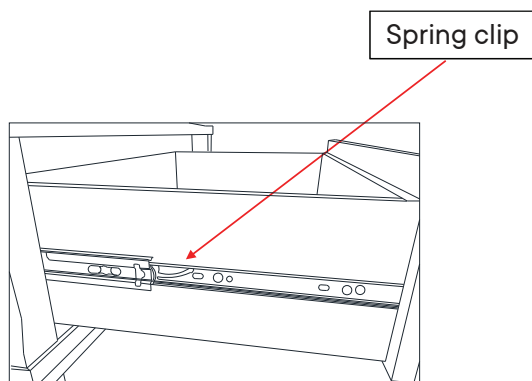


Step 18

The drawer(s) can be removed, if ever required.

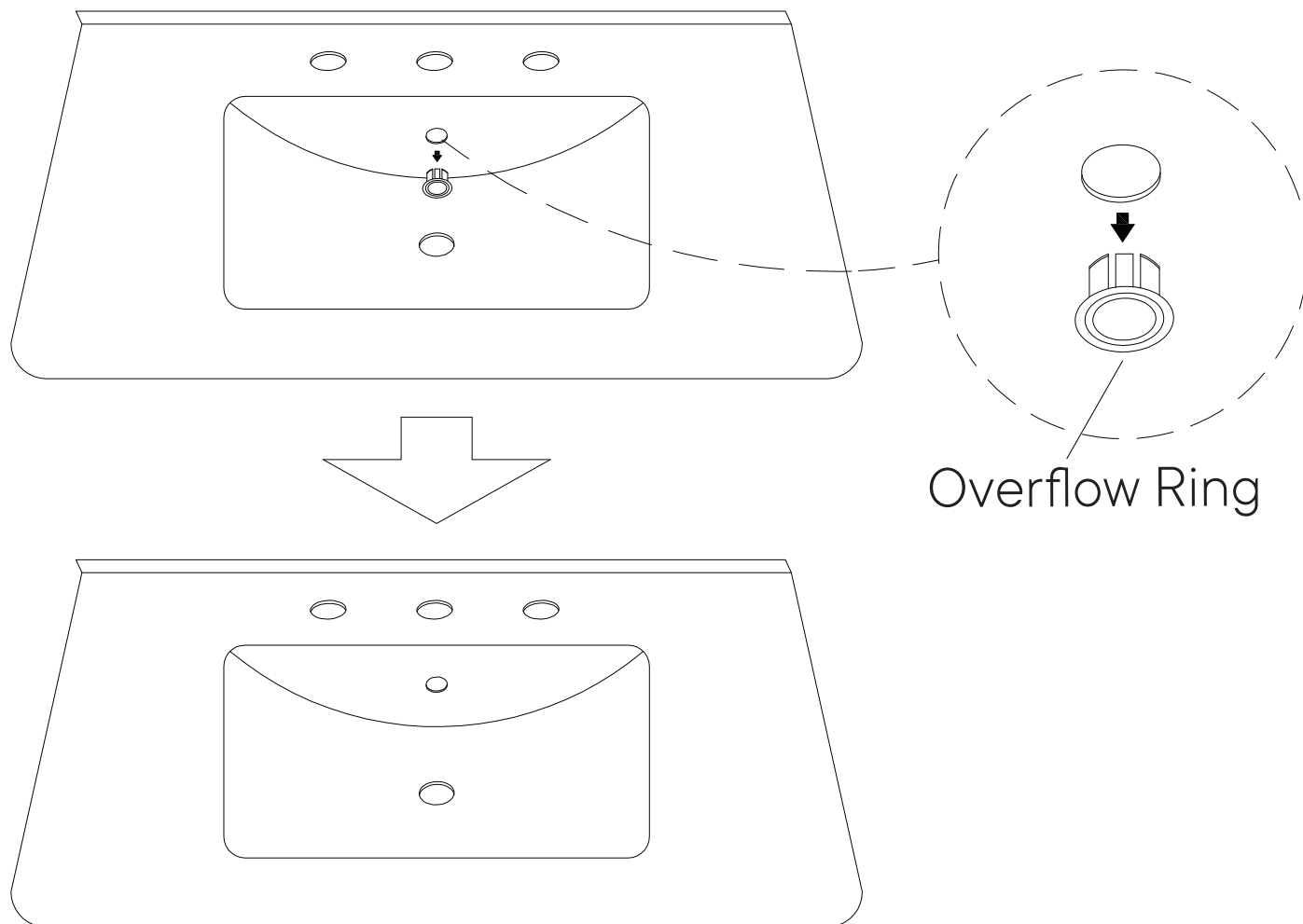
Locate the spring clip on both sides on the drawer glide.
At the same time, press the clips and pull the drawer out.

To reinsert, simply align the 2 sides of the drawer glides and slide in until fully inserted.



A quick note...

Your sink basin comes complete with a silver overflow ring.
If you'd like to remove this overflow ring, you can do so by hand.



Wait!

Missing parts or hardware? Need assistance?

Contact us before returning your item. We're here to help!

609.256.9000 • cs@modway.com

Great job!

Cabinet assembly is complete.

♥ CARING FOR YOUR ITEM

Indoor use only.

Not contract grade.

Clean using a non-abrasive cloth and a mild cleaner.

Never use harsh chemicals, as they could damage the finish or integrity of the item.

CONNECT WITH US!   

Tag us @modway_furniture and #modway for a chance to be featured.

