

ASSEMBLY INSTRUCTIONS

EEI-5552

V1.05.20.21



Questions? Contact us!

609.256.9000 • cs@modway.com
www.modway.com

*modway

Let's get started!

*modway



Read through all of the instructions before starting



Care instructions are listed in the last step of this manual



Approx. 90 minutes assembly time



Make sure you have all parts and components before discarding any packing materials



2 people recommended for assembly

Only use hand tools to assemble this item. Do not use power tools. Do not tighten bolts or screws completely until all hardware is lined up and inserted into the holes.

Do not over-tighten screws and bolts to avoid stripping the hardware or cracking the item.

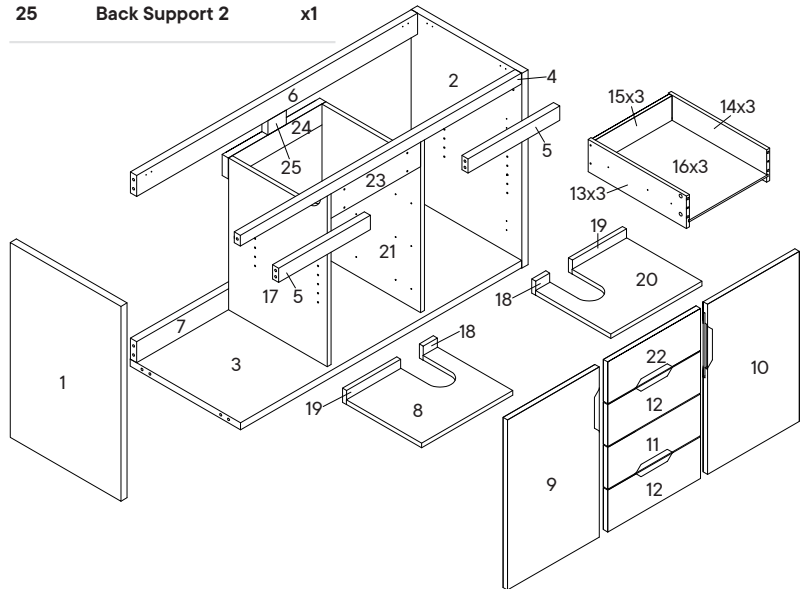
For vanity and plumbing installation, we suggest hiring a professional contractor and plumber.

Assemble your item on a flat, carpeted area, with plenty of space to work. This will prevent damage and scratches to your floors or the item while you're assembling the product.

Keep all components and packaging out of reach of children or animals to avoid risk of choking or suffocation.

Furniture components:

1	Left Side Panel	x1	12	Drawer Front 2	x2	23	Support Panel 2	x1
2	Right Side Panel	x1	13	Drawer Side L	x3	24	Back Support 1	x1
3	Bottom Panel	x1	14	Drawer Side R	x3	25	Back Support 2	x1
4	Front Support	x1	15	Drawer Back	x3			
5	Support Panel 1	x2	16	Drawer Panel	x3			
6	Back Panel 1	x1	17	Center Panel 1	x1			
7	Back Panel 2	x1	18	Base Panel 1	x2			
8	Shelf Panel 1	x1	19	Base Panel 2	x2			
9	Door Panel Left	x1	20	Shelf Panel 2	x1			
10	Door Panel Right	x1	21	Center Panel 2	x1			
11	Drawer Front 1	x1	22	Drawer Front 3	x1			



Provided hardware:

A		Wood Dowel M8 x 25mm	x22	I		Shelf Support	x8	Q		Cam Lock Ø12	x12
B		Cam Bolt Ø6 x 24mm	x26	J		Rubber Pad	x8	R		Screw 4 x 12mm	x36
C		Cam Lock Ø15	x14	K		Screw 4 x 30mm	x4	S		Bearing Runner 350mm	x3 Pairs
D		Screw 4 x 14mm	x44	L		Screw 9 x 38mm	x20				
E		Door Hinge	x4	M		Screw 9 x 50mm	x11				
F		Corner Bracket	x4	N		Metal Leg	x1				
G		Screw 4 x 20mm	x20	O		L-Bracket	x2				
H		Metal Leg	x4	P		Wood Dowel M6 x 25mm	x6				

What you need:

Phillips Head Screwdriver

You may also need:

- + Power Drill
- + Level
- + Silicone Adhesive or Caulk
- + Drywall Anchors and Screws
- + Other Wall-Mounting Hardware

Wait!

Missing parts or hardware? Need assistance?
Contact us before returning your item. We're here to help!
609.256.9000 • cs@modway.com

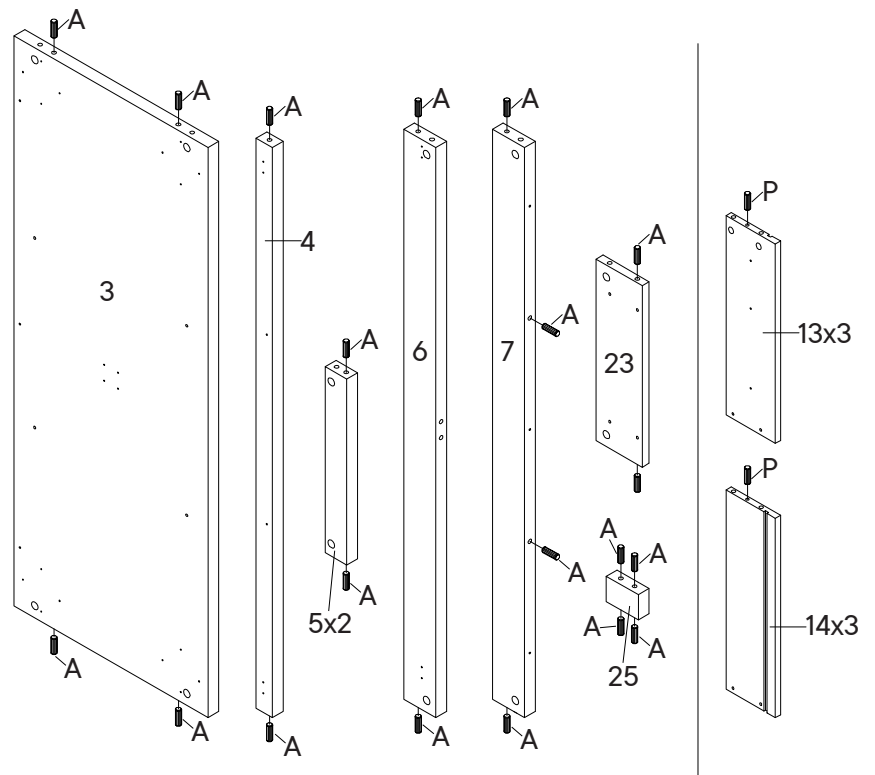
Step 1

HARDWARE

- A** Wood Dowel M8 x 25mm x22
- P** Wood Dowel M6 x 25mm x6

COMPONENTS

- 3** Bottom Panel x1
- 4** Front Support x1
- 5** Support Panel 1 x2
- 6** Back Panel 1 x1
- 7** Back Panel 2 x1
- 13** Drawer Side L x3
- 14** Drawer Side R x3
- 23** Support Panel 2 x1
- 25** Back Support 2 x1



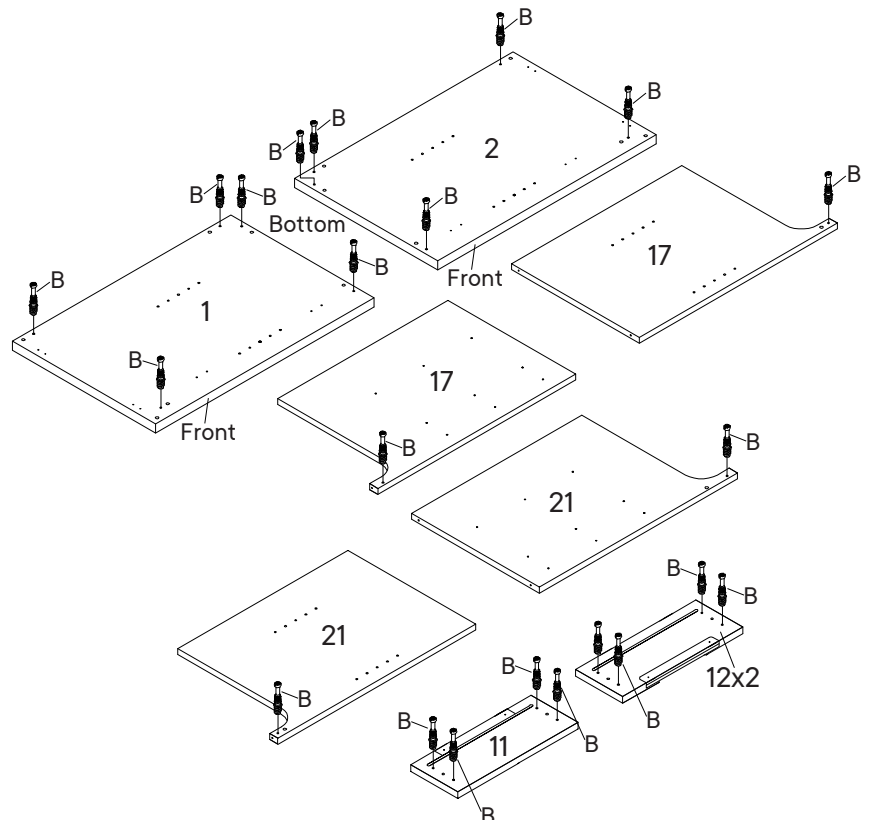
Step 2

HARDWARE

- B** Cam Bolt Ø6 x 24mm x26

COMPONENTS

- 1** Left Side Panel x1
- 2** Right Side Panel x1
- 11** Drawer Front 1 x1
- 12** Drawer Front 2 x2
- 17** Center Panel 1 x1
- 21** Center Panel 2 x1



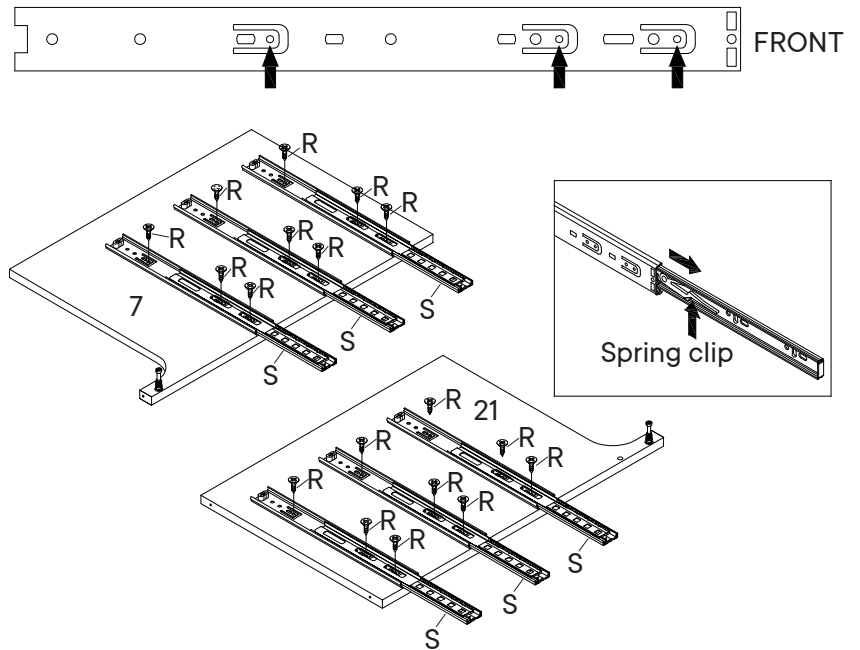
Step 3

HARDWARE

- S** Bearing Runner 350mm x3pairs
- R** Screw 4 x 12mm x18

COMPONENTS

- 7** Center Panel 1 x1
- 21** Center Panel 2 x1



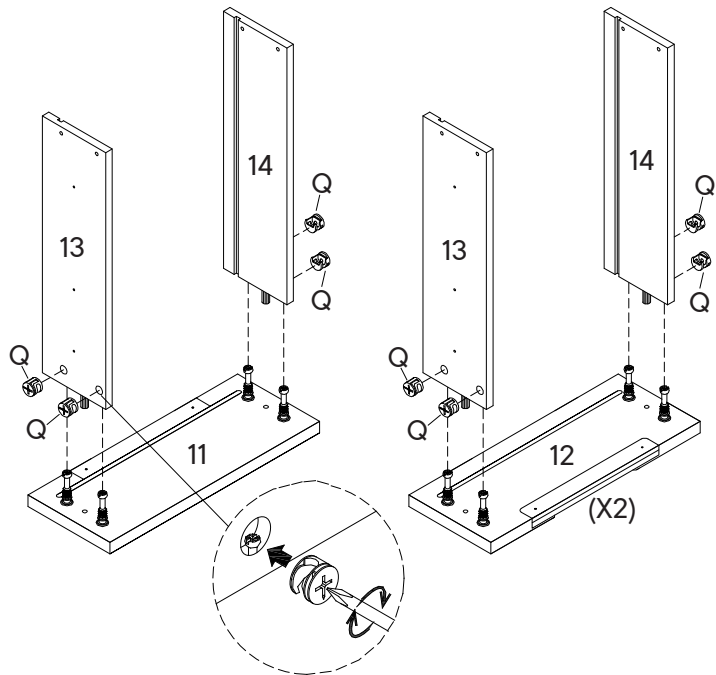
Step 4

HARDWARE

- Q** Cam Lock Ø12 x12

COMPONENTS

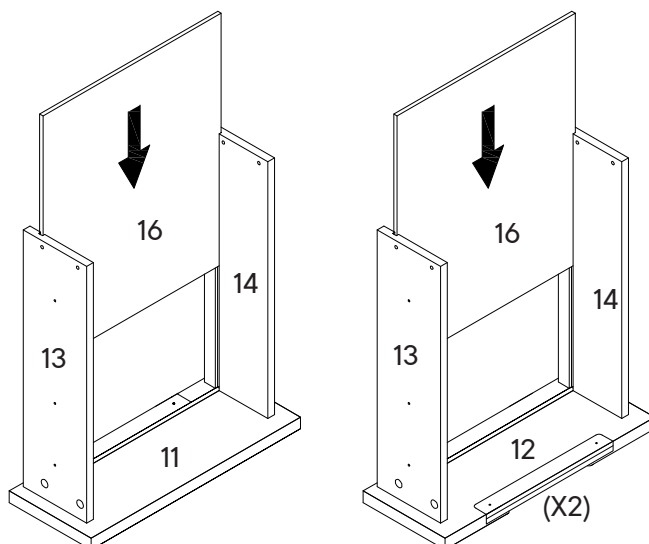
- 11** Drawer Front 1 x1
- 12** Drawer Front 2 x2
- 13** Drawer Side L 1 x3
- 14** Drawer Side R 1 x3



Step 5

COMPONENTS

- 16** Drawer Panel x3



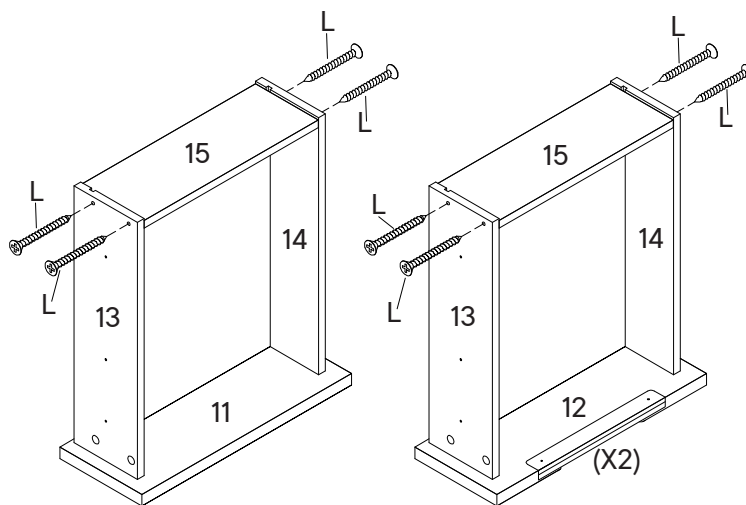
Step 6

HARDWARE

L Screw 9 x 38mm x12

COMPONENTS

15 Drawer Back 1 x3



Step 7

HARDWARE

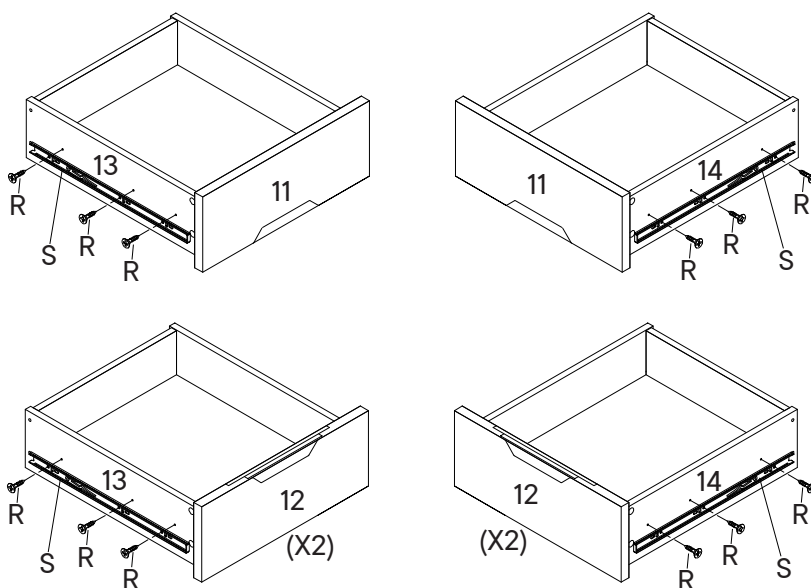
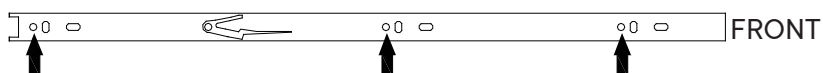
S Bearing Runner 350mm x3 Pairs

R Screw 4 x 12mm x18

COMPONENTS

13 Drawer Side L x3

14 Drawer Side R x3



Step 8

HARDWARE

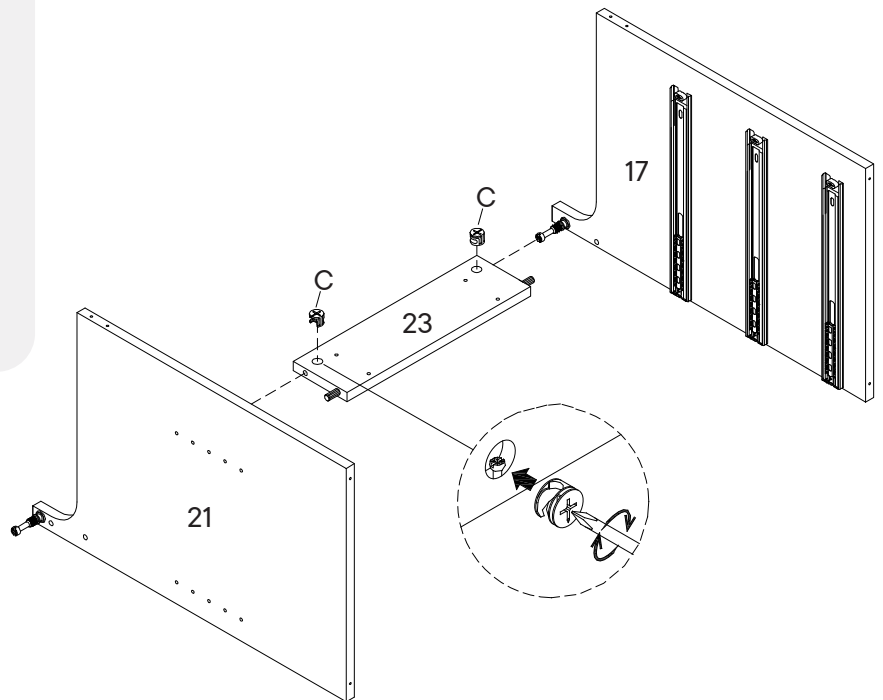
C Cam Lock Ø15 x2

COMPONENTS

17 Center Panel 1 x1

21 Center Panel 2 x1

23 Support Panel 2 x1



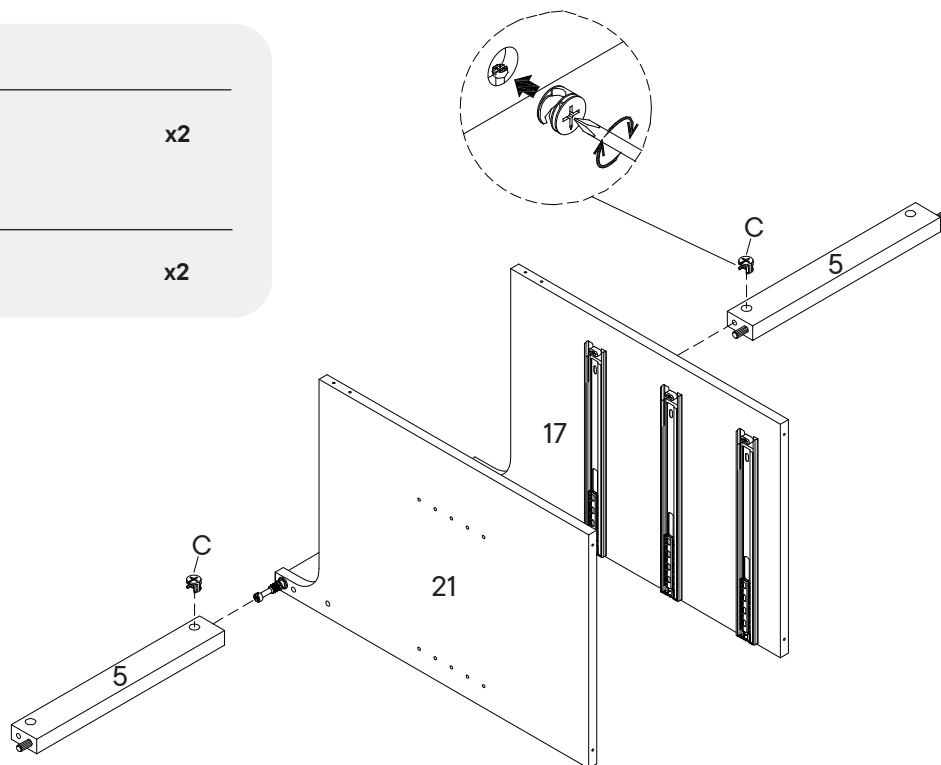
Step 9

HARDWARE

C Cam Lock Ø15 x2

COMPONENTS

5 Support Panel 1 x2



Step 10

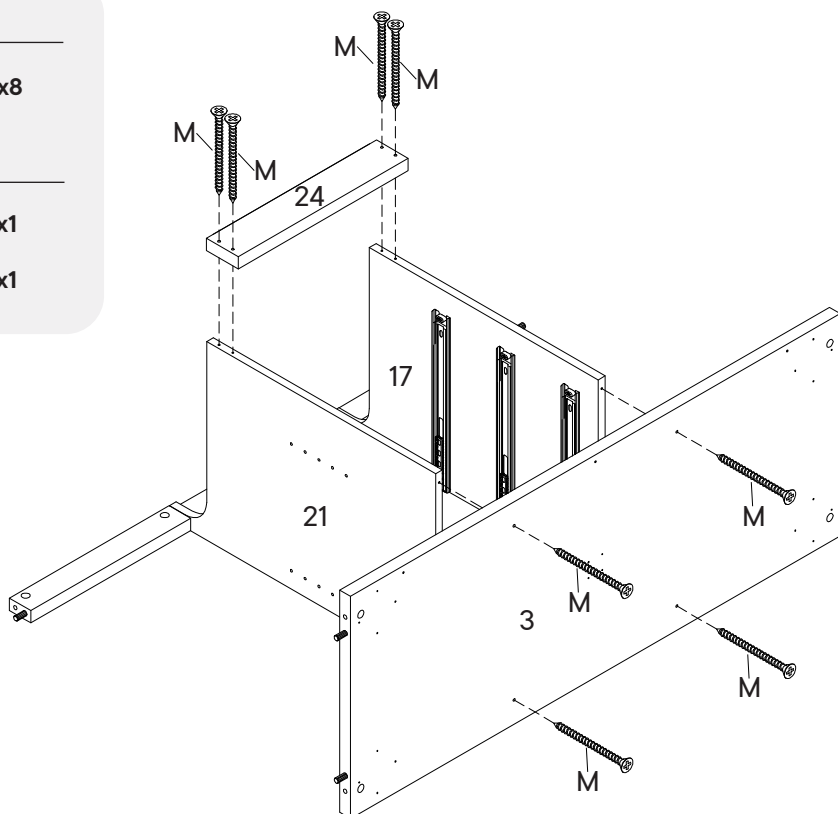
HARDWARE

M Screw #9 x 50mm x8

COMPONENTS

3 Bottom Panel x1

24 Back Support 1 x1



Step 11

HARDWARE

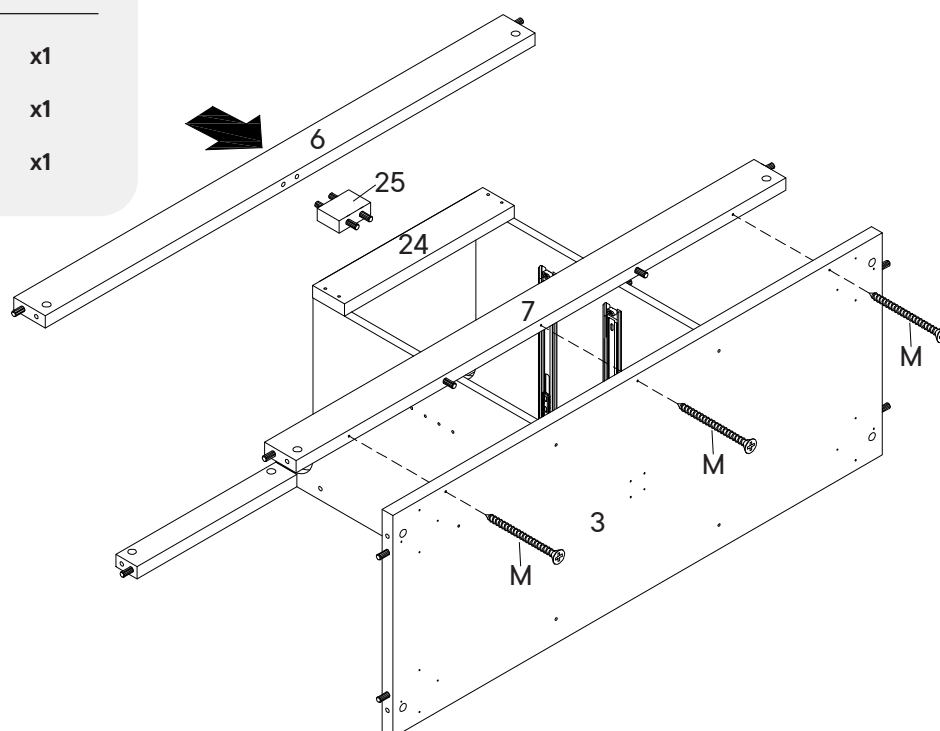
M Screw #9 x 50mm x3

COMPONENTS

6 Back Panel 1 x1

7 Back Panel 2 x1

25 Back Support 2 x1



Step 12

HARDWARE

C Cam Lock Ø15 x5

COMPONENTS

2 Right Side Panel x1

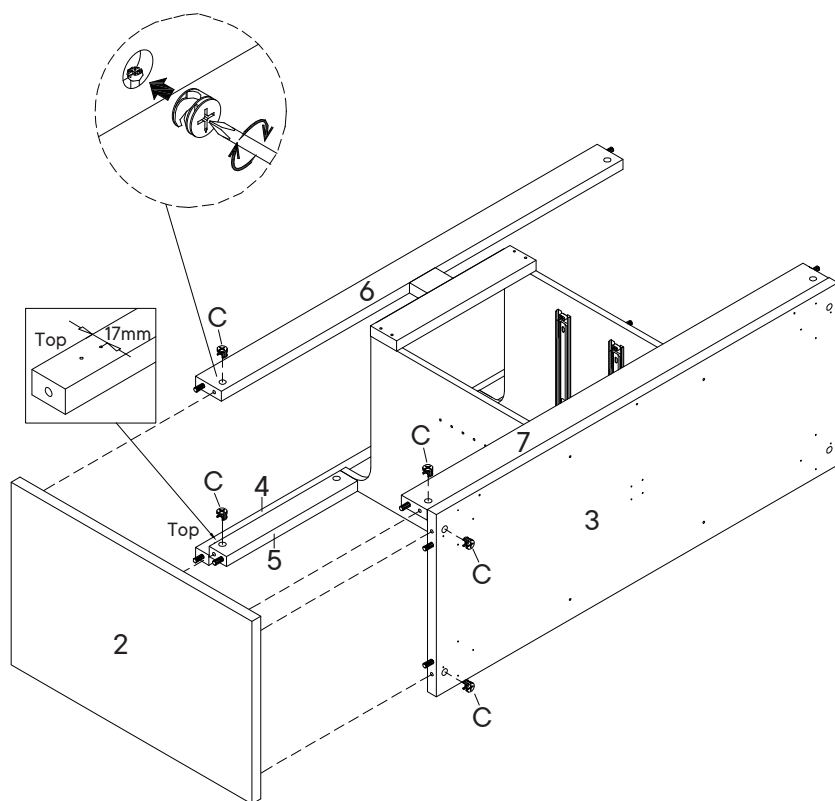
3 Bottom Panel x1

4 Front Support x1

5 Support Panel 1 x1

6 Back Panel 1 x1

7 Back Panel 2 x1



Step 13

HARDWARE

C Cam Lock Ø15 x5

COMPONENTS

1 Left Side Panel x1

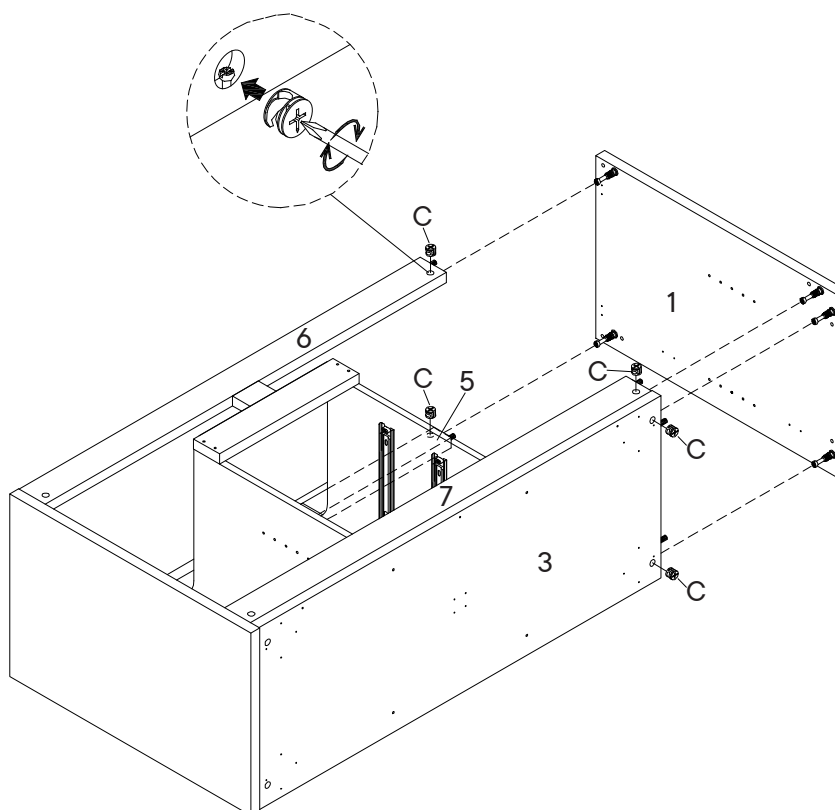
3 Bottom Panel x1

4 Front Support x1

5 Support Panel 1 x1

6 Back Panel 1 x1

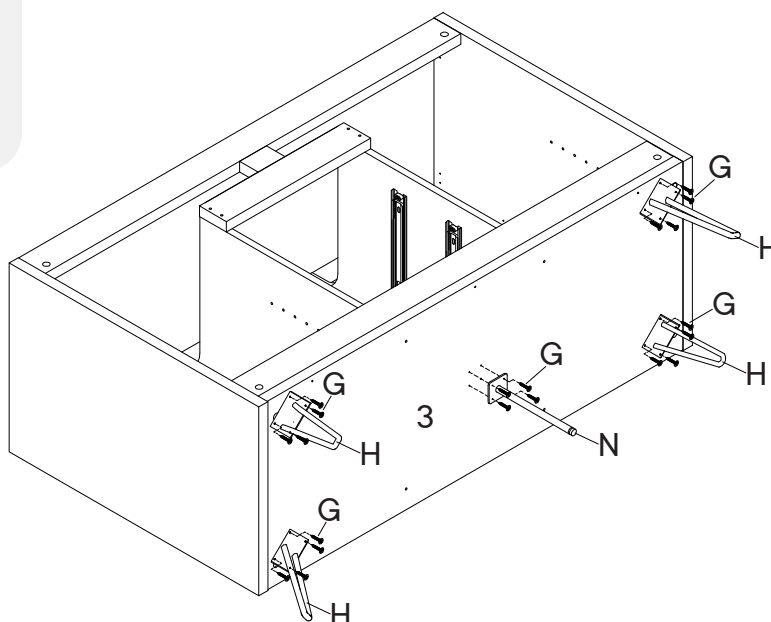
7 Back Panel 2 x1



Step 14

HARDWARE

G	Screw 4 x 20mm	x20
H	Metal Leg	x4
N	Metal Leg	x1



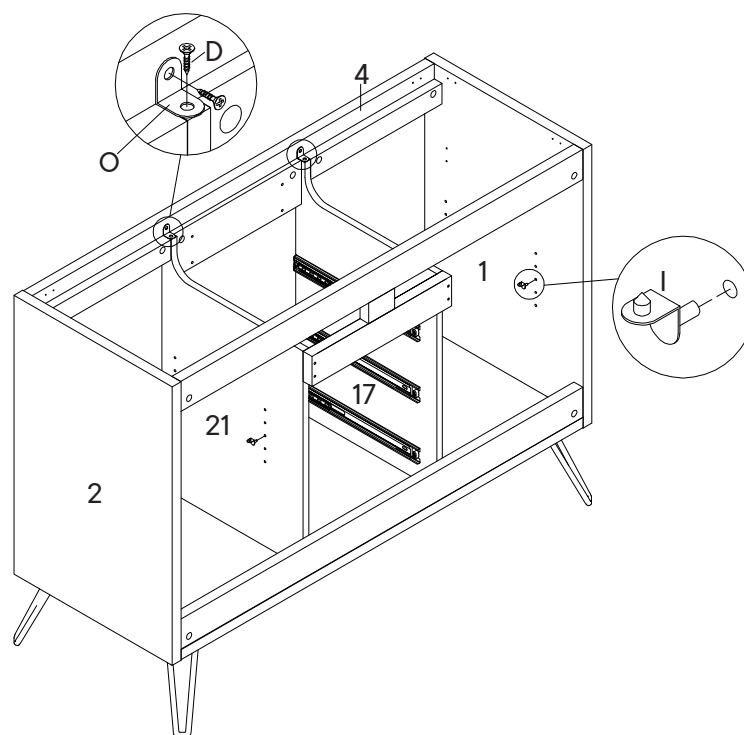
Step 15

HARDWARE

D	Screw 4 x 14mm	x4
I	Shelf Support	x8
O	L-Bracket	x2

COMPONENTS

1	Left Side Panel	x1
2	Right Side Panel	x1
4	Front Support	x1
17	Center Panel 1	x1
21	Center Panel 2	x1



Step 16

HARDWARE

L Screw #9 x 38mm x8

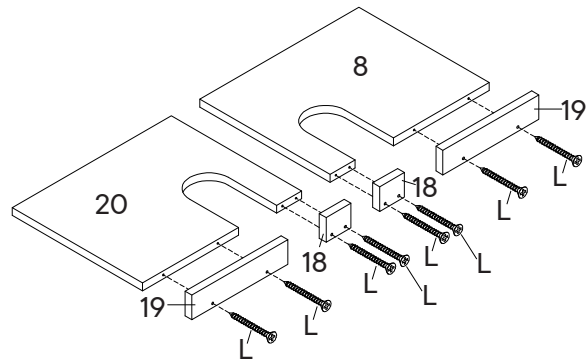
COMPONENTS

8 Shelf Panel 1 x1

18 Base Panel 1 x2

19 Base Panel 2 x2

20 Shelf Panel 2 x1

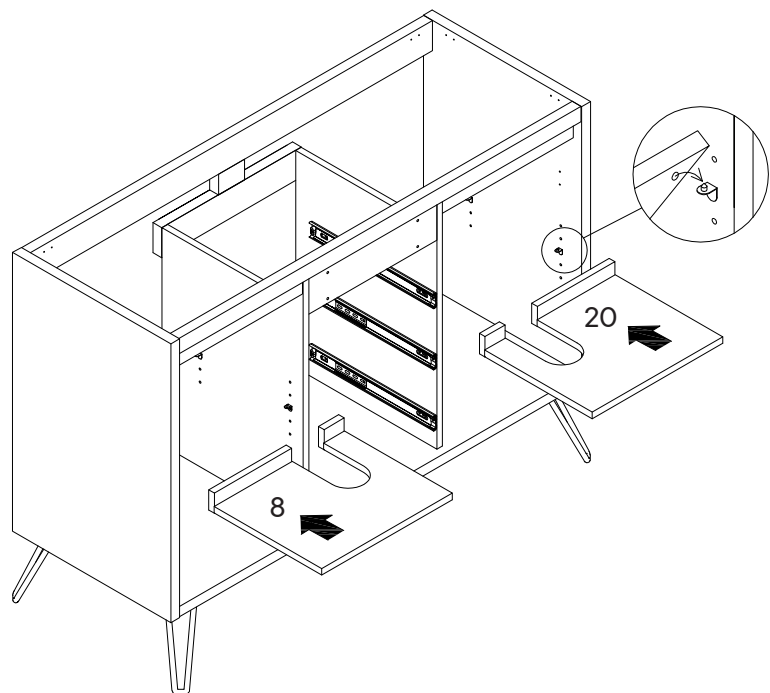


Step 17

COMPONENTS

8 Shelf Panel 1 x1

20 Shelf Panel 2 x1



Step 18

HARDWARE

D Screw 4 x 14mm x16

F Corner Bracket x4

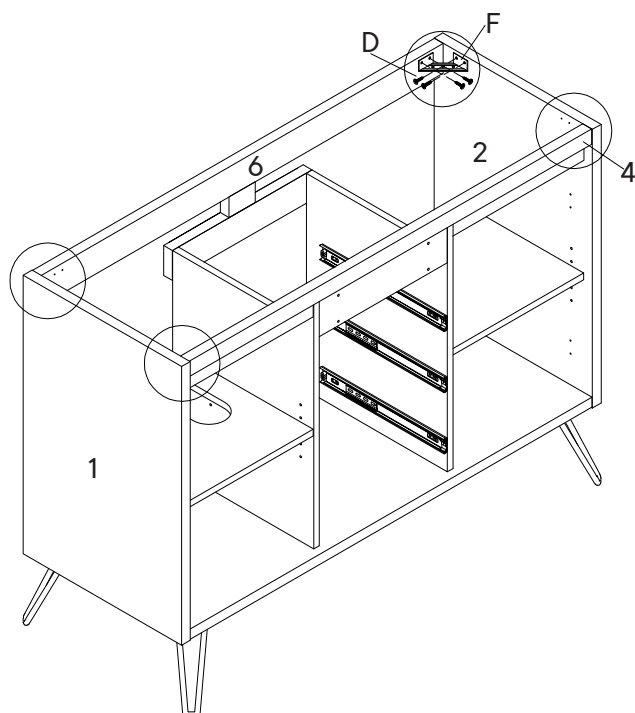
COMPONENTS

1 Left Side Panel x1

2 Right Side Panel x1

4 Front Support x1

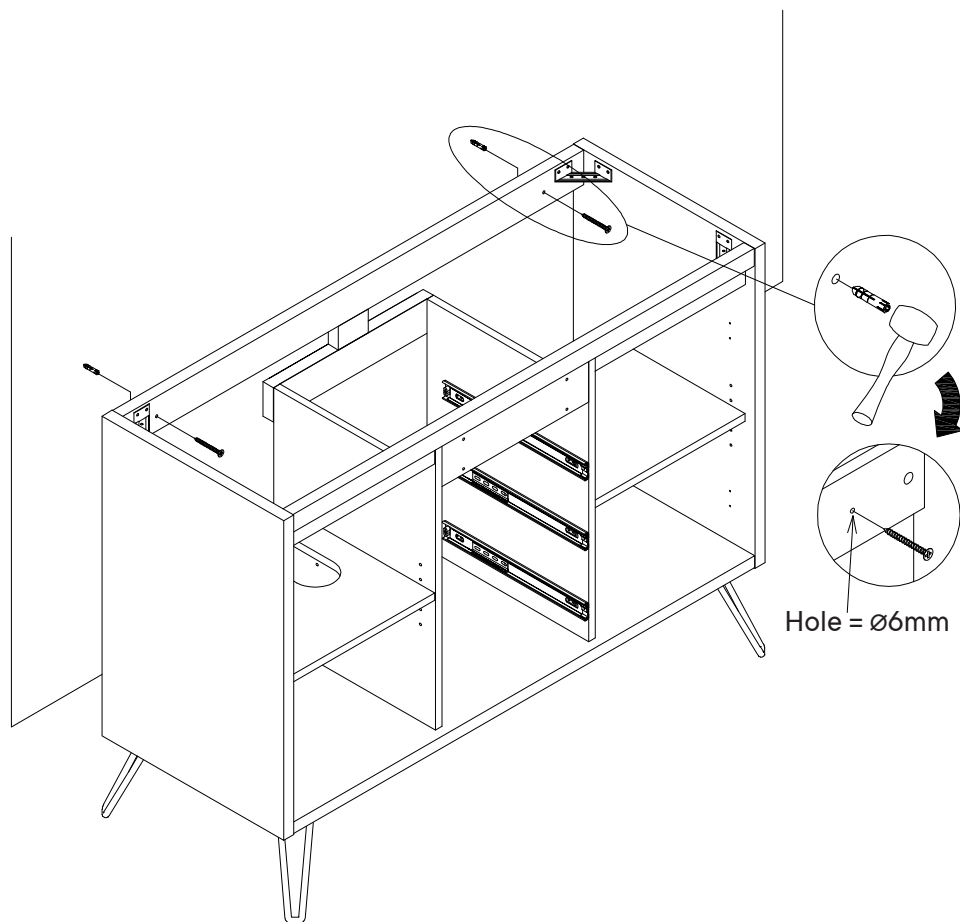
6 Back Panel 1 x1



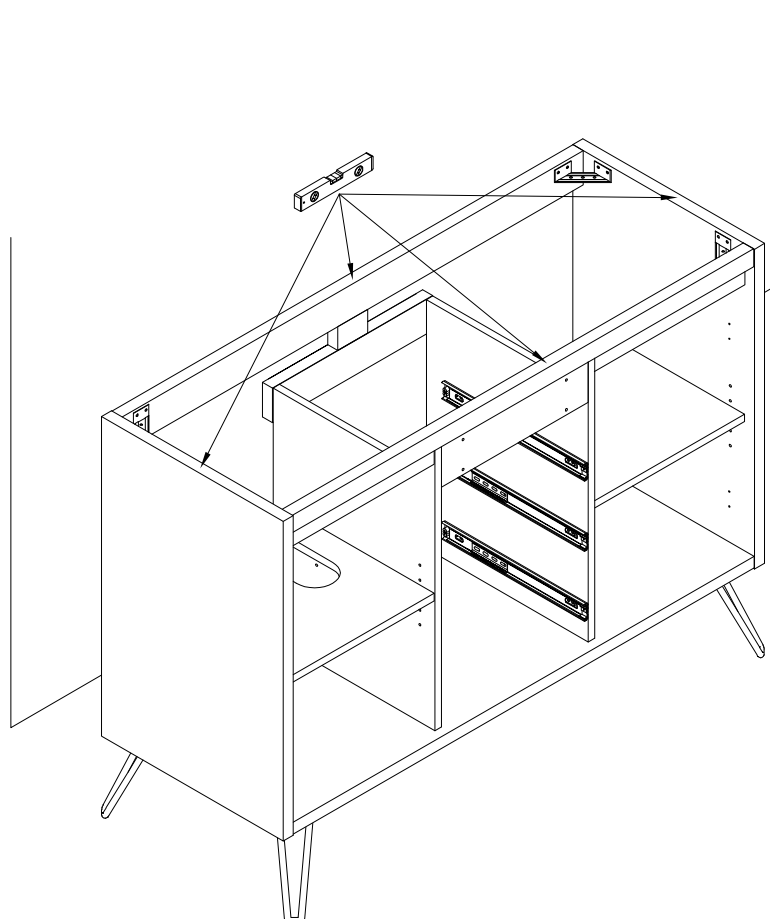
Step 19

NOTE: Mounting hardware and tools are not included.

We suggest professional installation.



Step 20



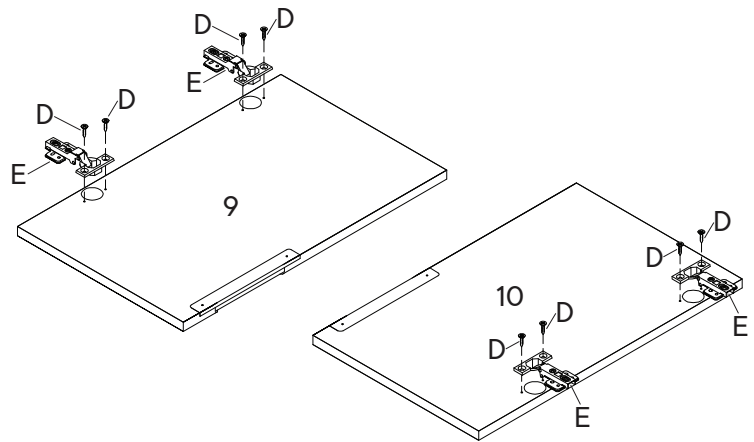
Step 21

HARDWARE

- D** Screw 4 x 14mm x8
- E** Door Hinge x4

COMPONENTS

- 9** Door Panel Left x1
- 10** Door Panel Right x1



Step 22

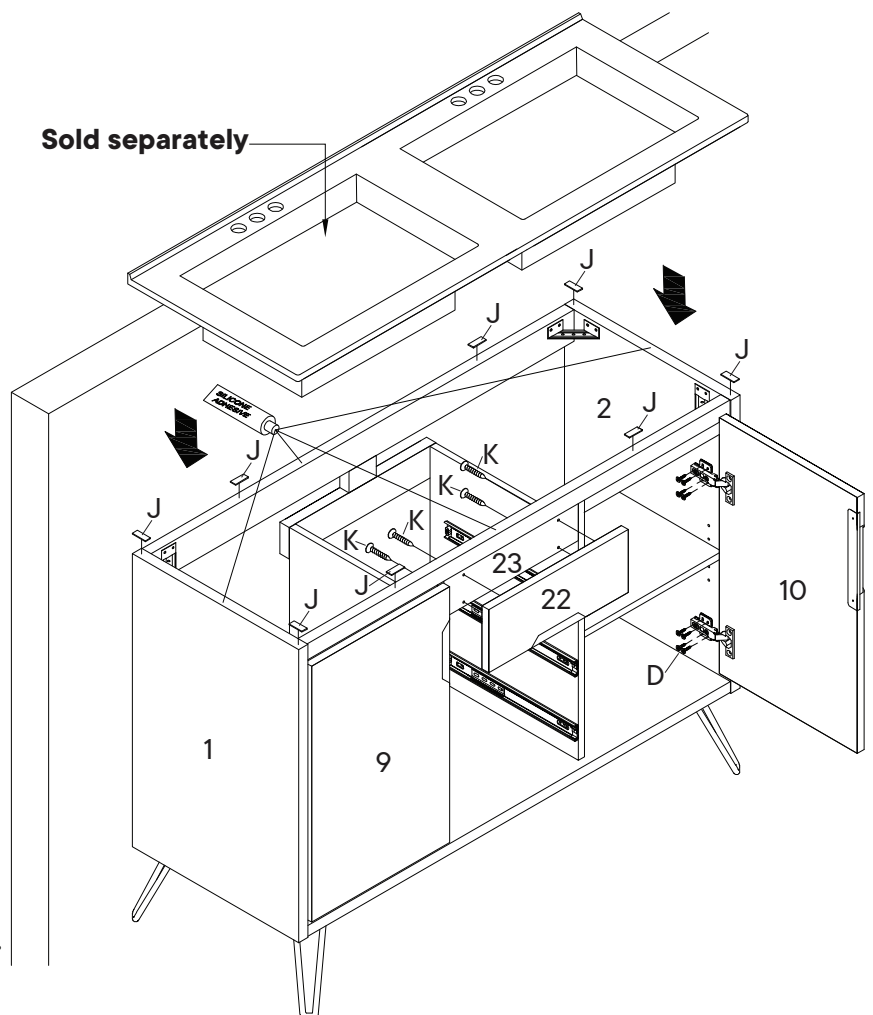
HARDWARE

- D** Screw 4 x 14mm x16
- K** Screw 4 x 30mm x4
- J** Rubber Pad x8

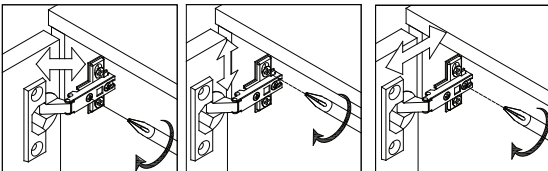
COMPONENTS

- 9** Door Panel Left x1
- 10** Door Panel Right x1
- 22** Drawer Front 3 x1

Sold separately



Adjust the hinges, if required.



Adjust laterally

Adjust height

Adjust depth

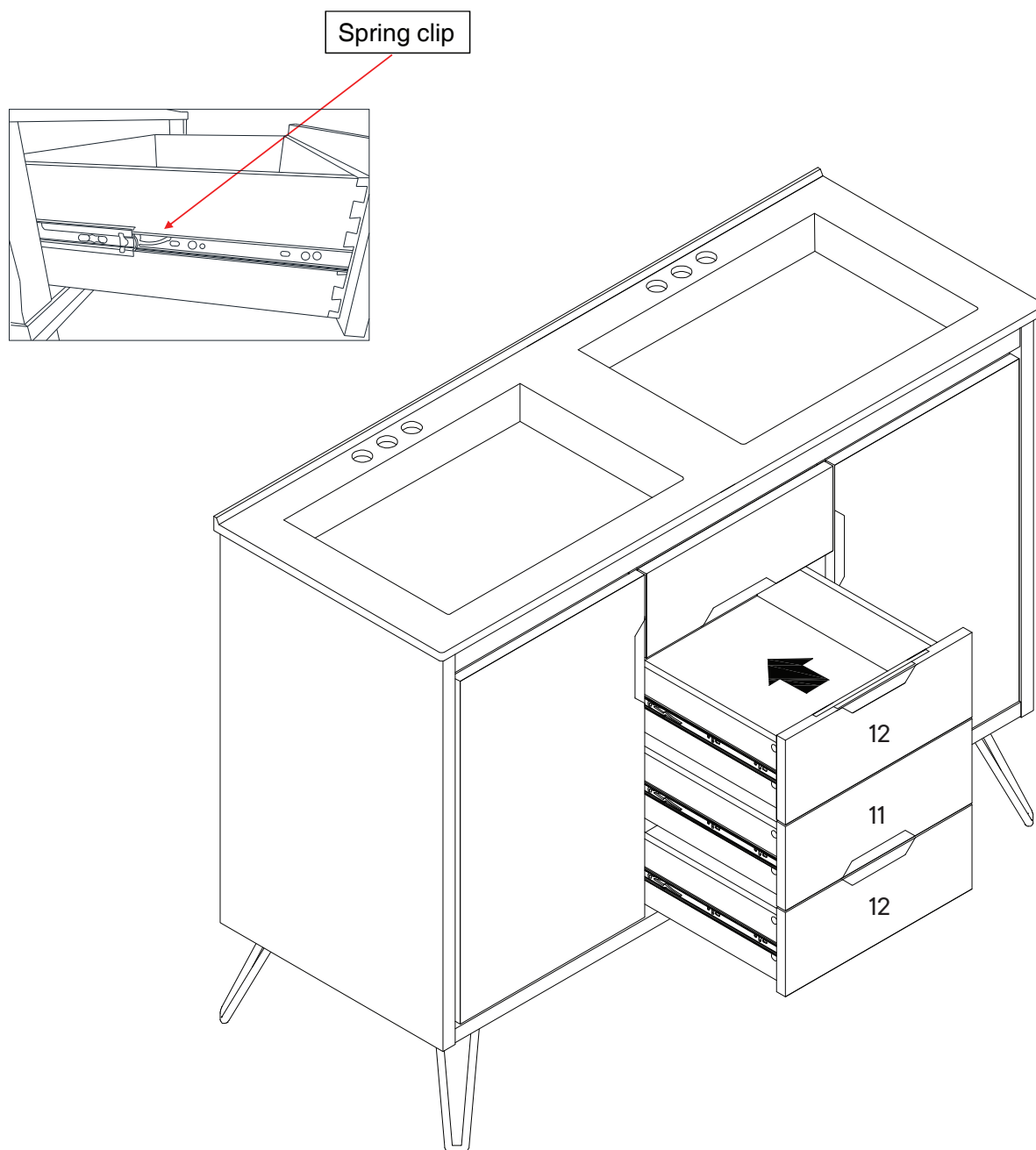
Temporarily remove/dismantle the Door & Shelf during Basin/Sink /Plumbing work installation work to prevent water damage.

Step 23

The drawer(s) can be removed, if ever required.

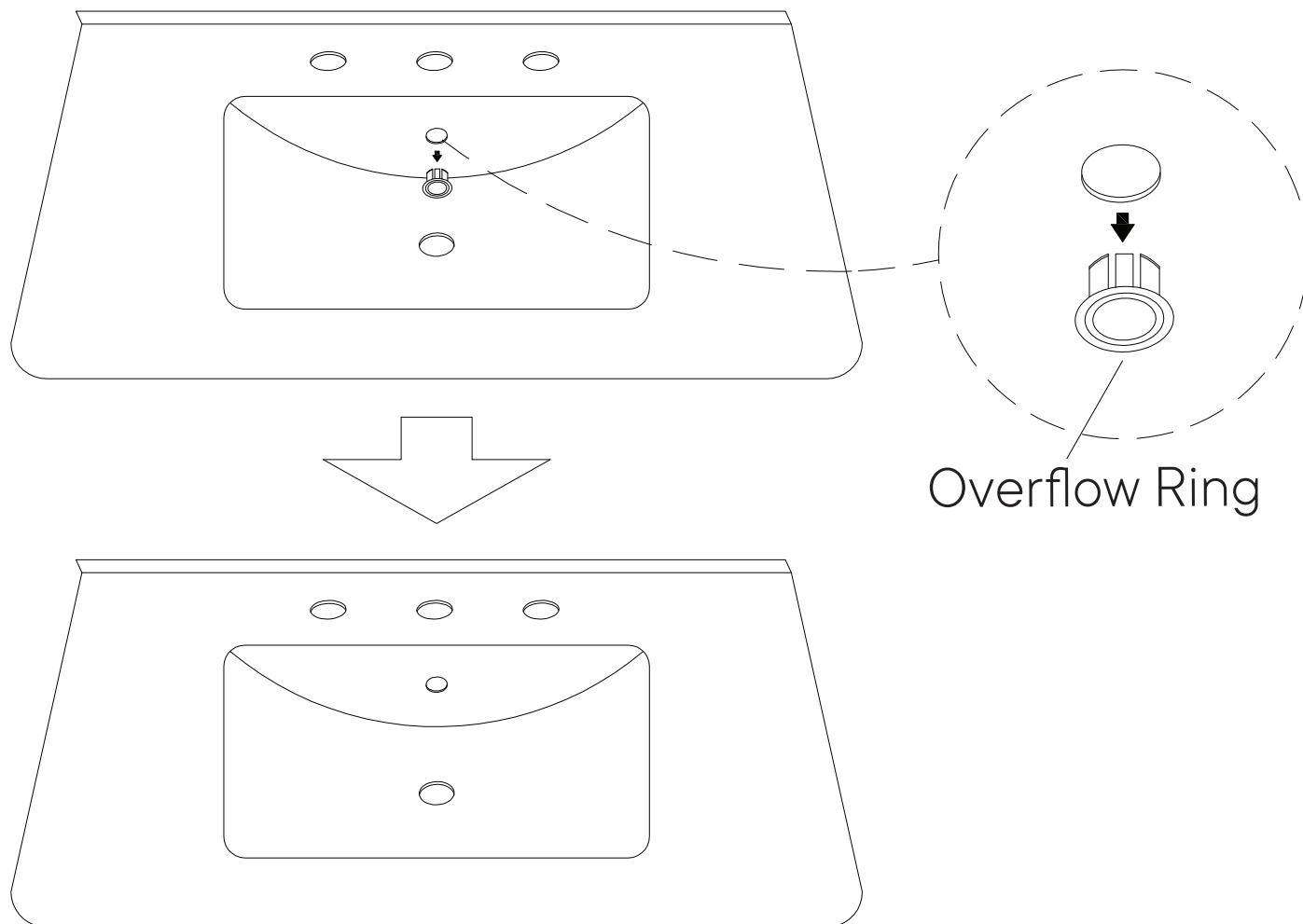
Locate the spring clip on both sides on the drawer glide.
At the same time, press the clips and pull the drawer out.

To reinsert, simply align the 2 sides of the drawer glides
and slide in until fully inserted.



A quick note...

Your sink basin comes complete with a silver overflow ring.
If you'd like to remove this overflow ring, you can do so by hand.



Wait!

Missing parts or hardware? Need assistance?

Contact us before returning your item. We're here to help!

609.256.9000 • cs@modway.com

Great job!

Cabinet assembly is complete.

♥ CARING FOR YOUR ITEM

Indoor use only.

Not contract grade.

Clean using a non-abrasive cloth and a mild cleaner.

Never use harsh chemicals, as they could damage the finish or integrity of the item.

CONNECT WITH US!   

Tag us @modway_furniture and #modway for a chance to be featured.

