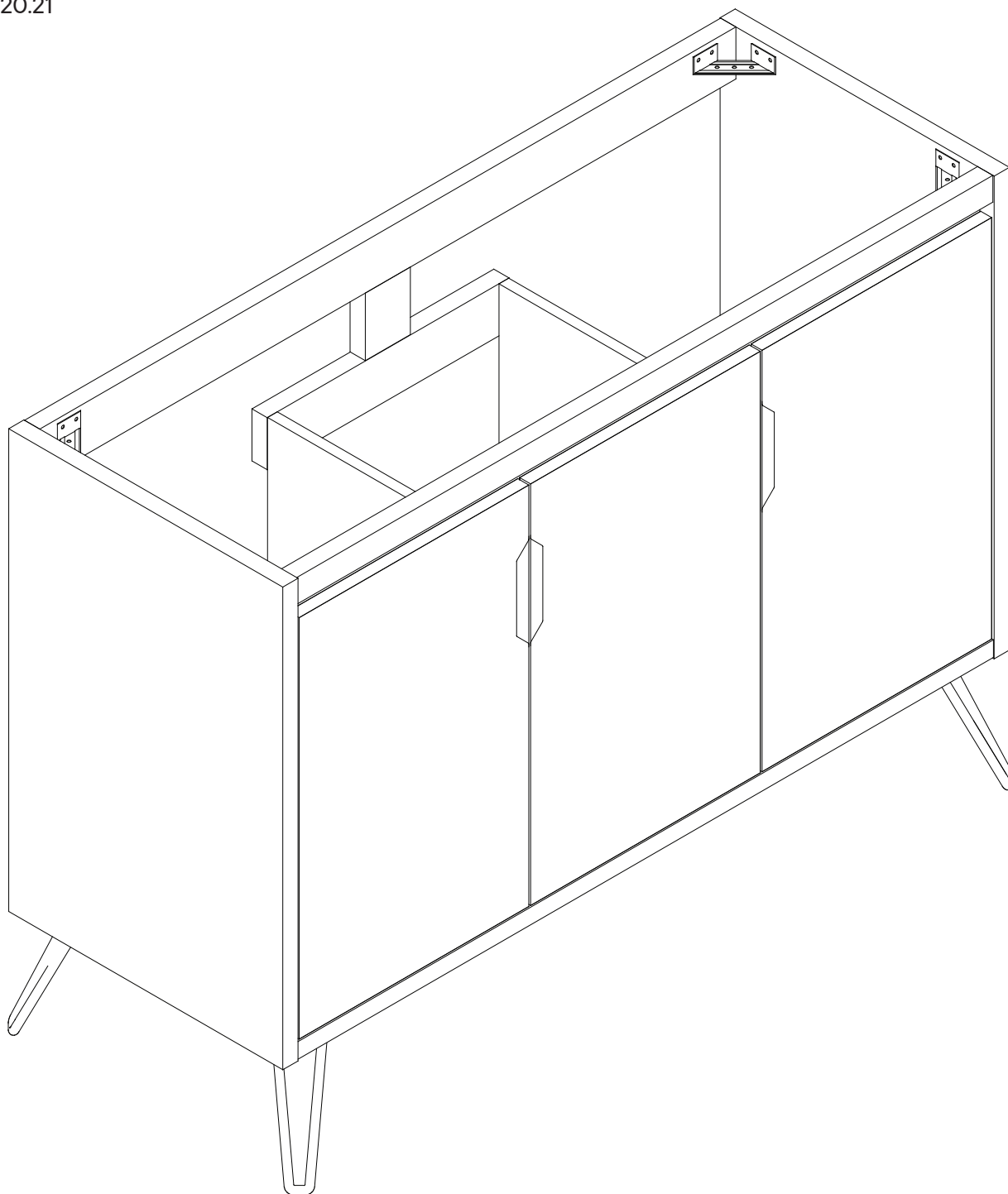


ASSEMBLY INSTRUCTIONS

EEI-5550

V1.05.20.21



Questions? Contact us!

609.256.9000 • cs@modway.com
www.modway.com

***modway**

Let's get started!

*modway



Read through all of the instructions before starting



Care instructions are listed in the last step of this manual



Approx. 90 minutes assembly time



Make sure you have all parts and components before discarding any packing materials



2 people recommended for assembly

Only use hand tools to assemble this item. Do not use power tools. Do not tighten bolts or screws completely until all hardware is lined up and inserted into the holes.

Do not over-tighten screws and bolts to avoid stripping the hardware or cracking the item.

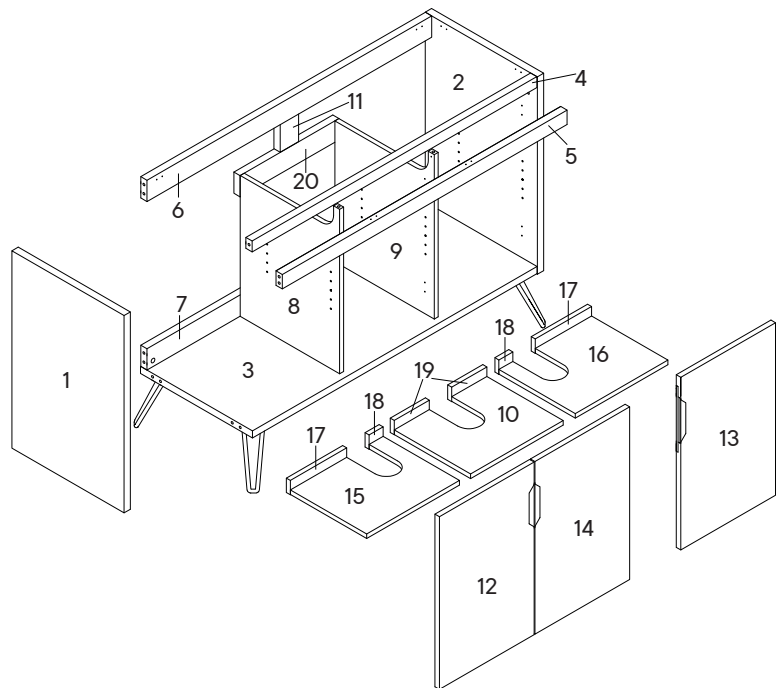
For vanity and plumbing installation, we suggest hiring a professional contractor and plumber.

Assemble your item on a flat, carpeted area, with plenty of space to work. This will prevent damage and scratches to your floors or the item while you're assembling the product.

Keep all components and packaging out of reach of children or animals to avoid risk of choking or suffocation.

Furniture components:

1	Left Side Panel	x1	12	Door Panel Left	x1
2	Right Side Panel	x1	13	Door Panel Right	x1
3	Bottom Panel	x1	14	Door Panel Center	x1
4	Front Support	x1	15	Shelf Panel 2	x1
5	Support Panel	x1	16	Shelf Panel 3	x1
6	Back Panel 1	x1	17	Base Panel 1	x2
7	Back Panel 2	x1	18	Base Panel 2	x2
8	Center Panel 1	x1	19	Base Panel 3	x2
9	Center Panel 2	x1	20	Back Support 2	x1
10	Shelf Panel 1	x1			
11	Back Support 1	x1			



Provided hardware:

A		Wood Dowel M8 x 25mm	x20	I		Shelf Support	x12
B		Cam Bolt Ø6 x 24mm	x10	J		Rubber Pad	x8
C		Cam Lock Ø15	x10	K		L-Bracket	x2
D		Screw 4 x 14mm	x62	L		Screw 9 x 38mm	x12
E		Door Hinge (Full Overlay)	x4	M		Screw 9 x 50mm	x11
F		Corner Bracket	x4	N		Metal Leg	x1
G		Screw 4 x 20mm	x20	O		L-Bracket	x1
H		Metal Leg	x4	P		Door Hinge (Half Overlay)	x2

What you need:

Phillips Head Screwdriver

You may also need:

- + Power Drill
- + Level
- + Silicone Adhesive or Caulk
- + Drywall Anchors and Screws
- + Other Wall-Mounting Hardware

Wait!

Missing parts or hardware? Need assistance?
Contact us before returning your item. We're here to help!
609.256.9000 • cs@modway.com

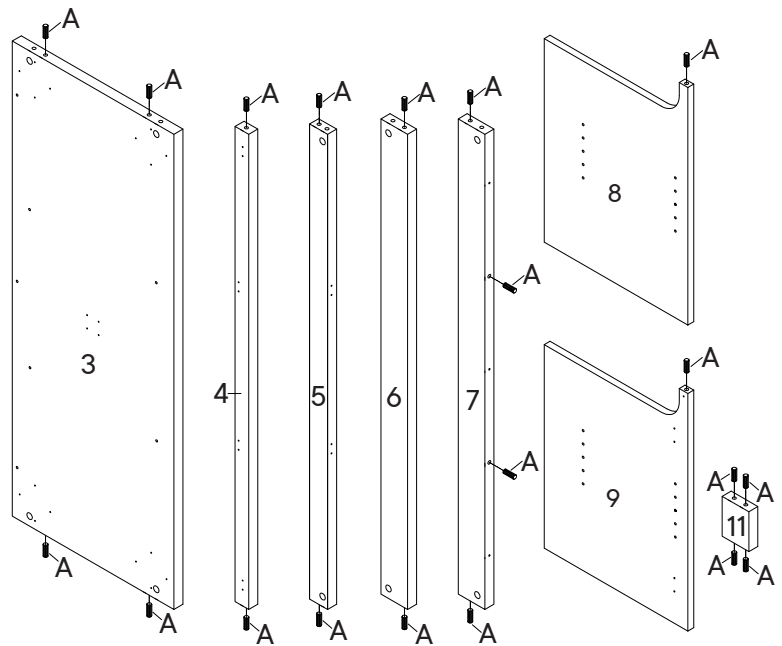
Step 1

HARDWARE

- A** Wood Dowel M8 x 25mm x20

COMPONENTS

- 3** Bottom Panel x1
- 4** Front Support x1
- 5** Support Panel x1
- 6** Back Panel 1 x1
- 7** Back Panel 2 x1
- 8** Center Panel 1 x1
- 9** Center Panel 2 x1
- 11** Back Support 1 x1



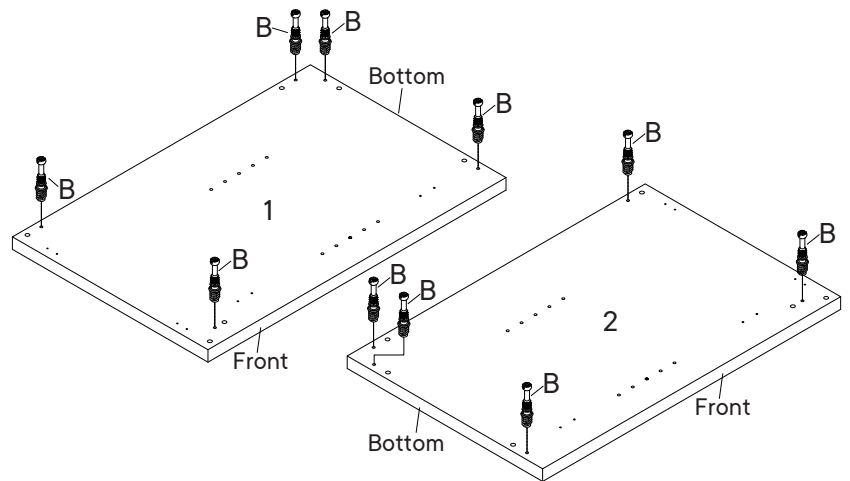
Step 2

HARDWARE

- B** Cam Bolt $\varnothing 6 \times 24\text{mm}$ x10

COMPONENTS

- 1** Left Side Panel x1
- 2** Right Side Panel x1



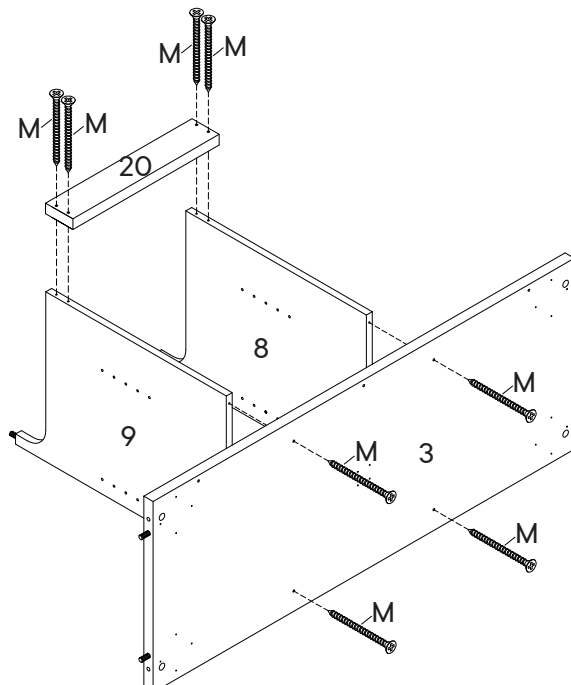
Step 3

HARDWARE

- M** Screw #9 x 50mm x8

COMPONENTS

- 3** Bottom Panel x1
- 20** Back Support 2 x1



Step 4

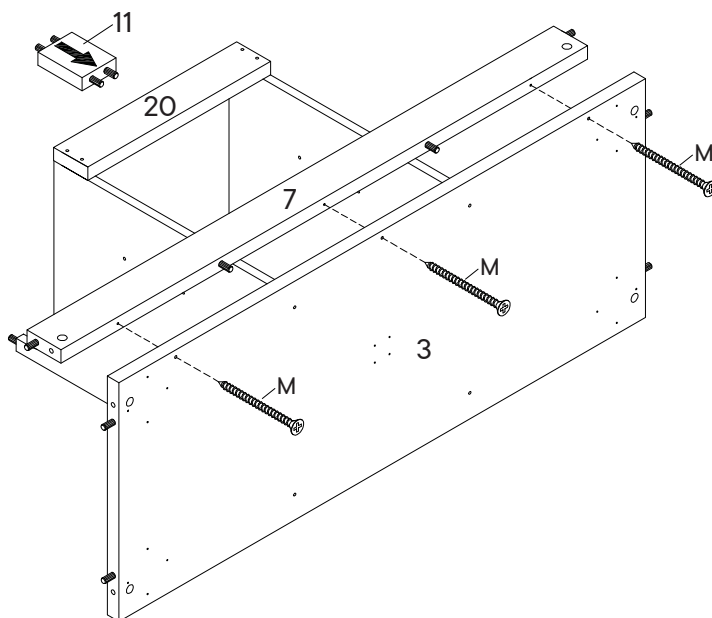
HARDWARE

M Screw #9 x 50mm x3

COMPONENTS

7 Back Panel 2 x1

11 Back Support 1 x1

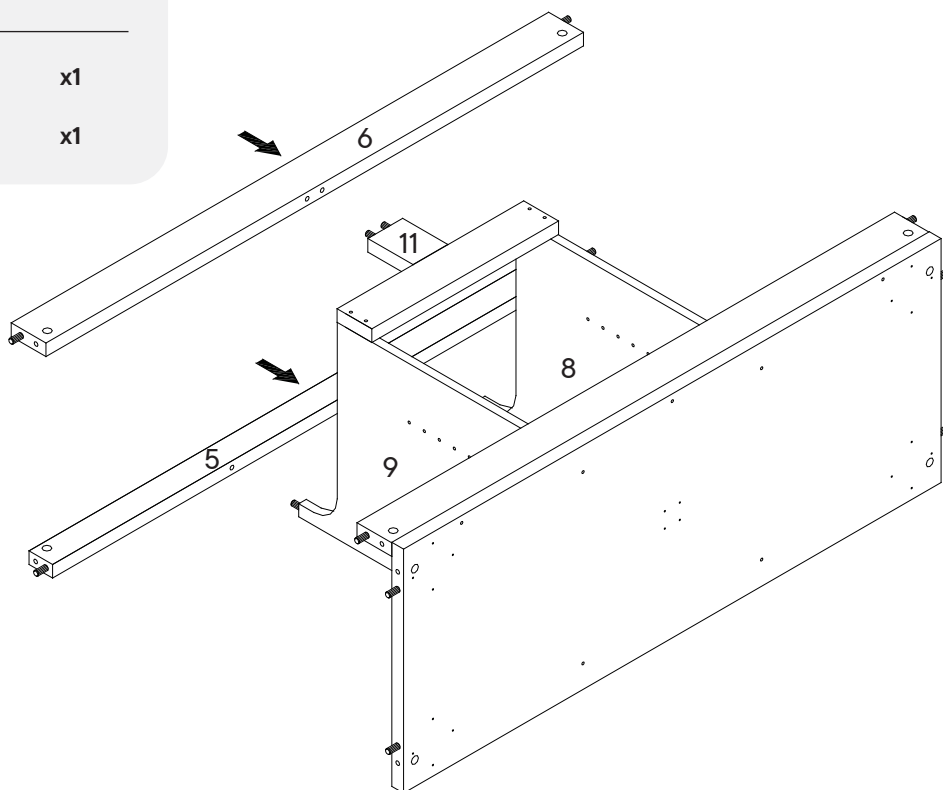


Step 5

COMPONENTS

5 Support Panel x1

6 Back Panel 1 x1



Step 6

HARDWARE

Ⓒ Cam Lock Ø15 x5

COMPONENTS

② Right Side Panel x1

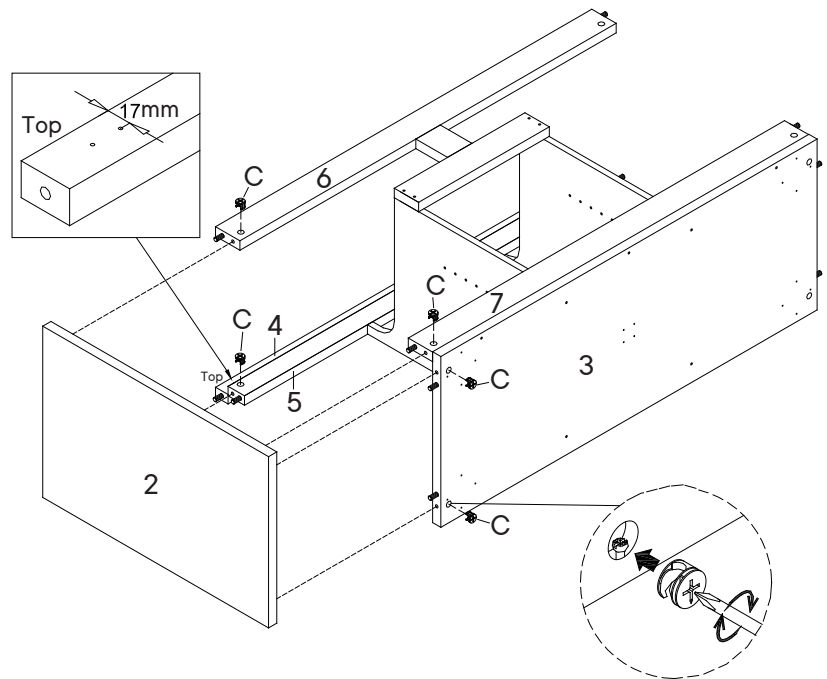
③ Bottom Panel x1

④ Front Support x1

⑤ Support Panel x1

⑥ Back Panel 1 x1

⑦ Back Panel 2 x1



Step 7

HARDWARE

Ⓒ Cam Lock Ø15 x5

COMPONENTS

① Left Side Panel x1

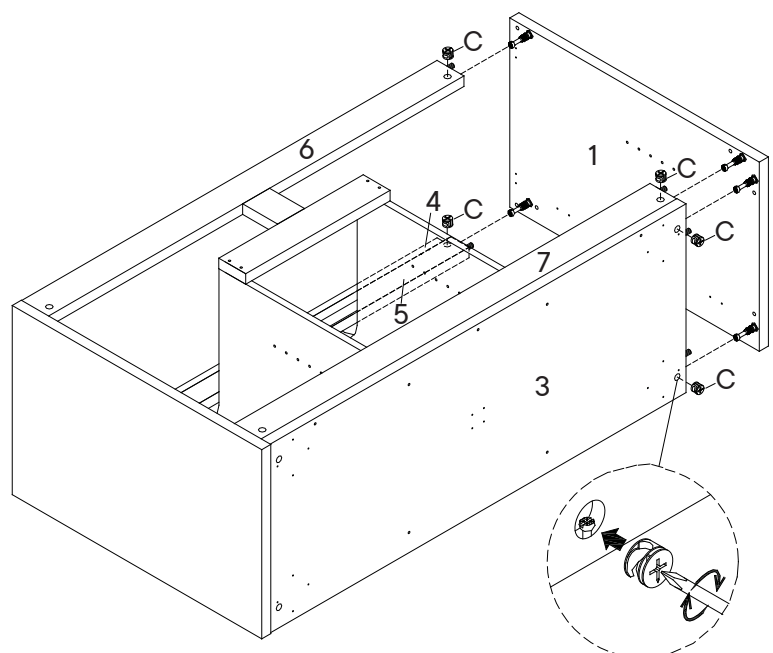
③ Bottom Panel x1

④ Front Support x1

⑤ Support Panel x1

⑥ Back Panel 1 x1

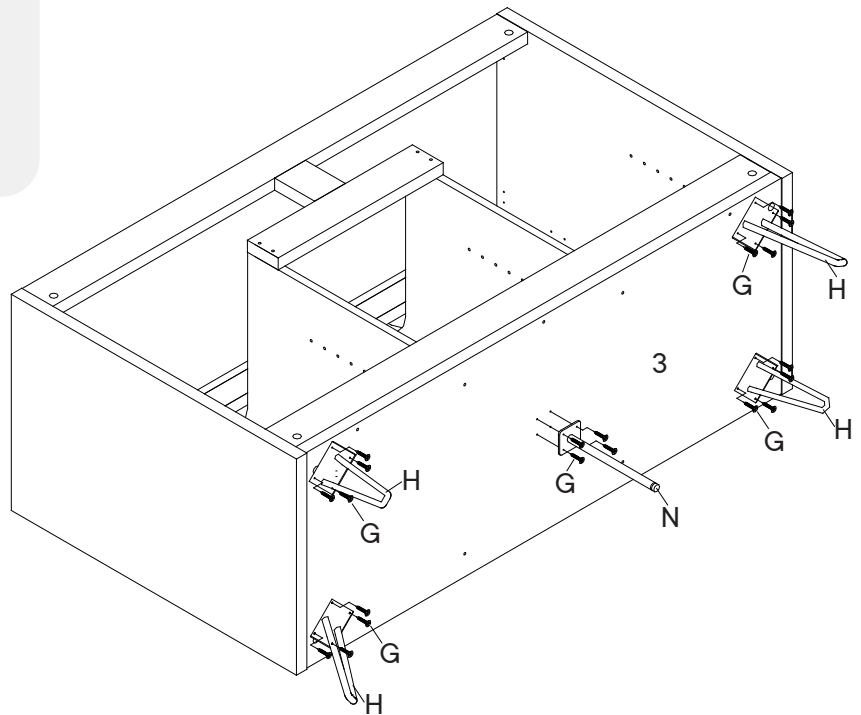
⑦ Back Panel 2 x1



Step 8

HARDWARE

G	Screw 4 x 20mm	x20
H	Metal Leg	x4
N	Metal Leg	x1



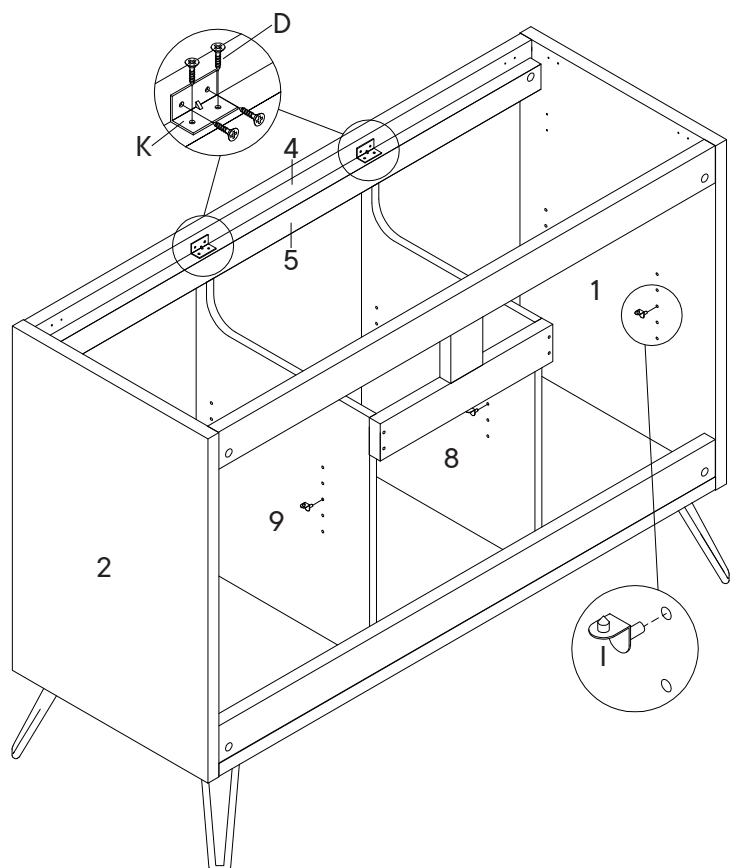
Step 9

HARDWARE

D	Screw 4 x 14mm	x8
I	Shelf Support	x12
K	L-Bracket	x2

COMPONENTS

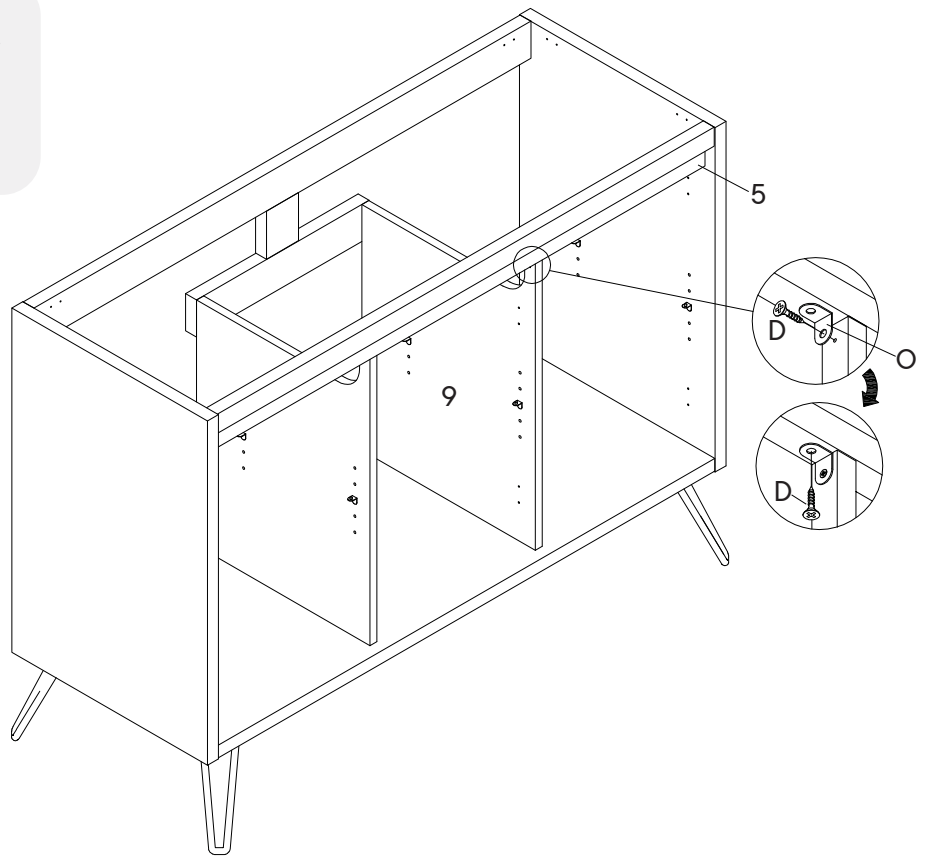
1	Left Side Panel	x1
2	Right Side Panel	x1
4	Front Support	x1
5	Support Panel	x1
8	Center Panel 1	x1
9	Center Panel 2	x1



Step 10

HARDWARE

- D** Screw 4 x 14mm x2
- O** L-Bracket x1



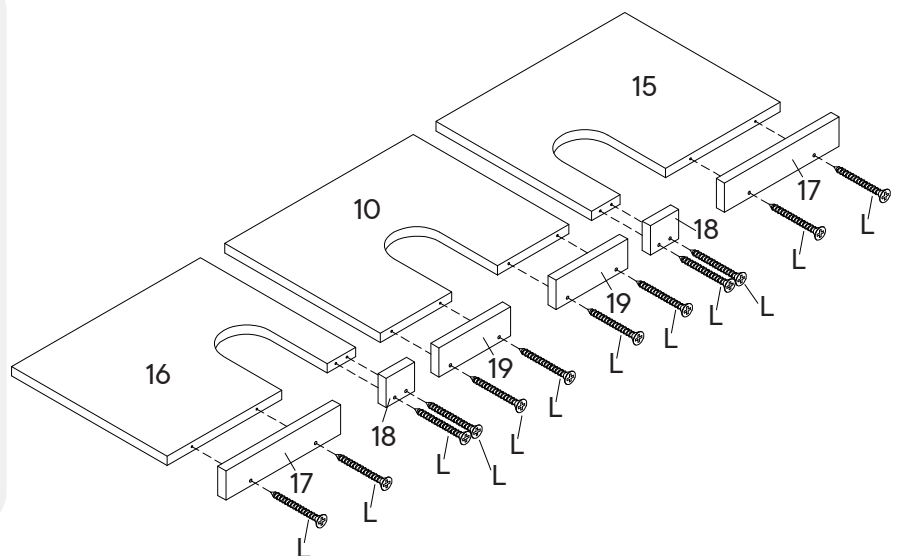
Step 11

HARDWARE

- L** Screw 9 x 38mm x12

COMPONENTS

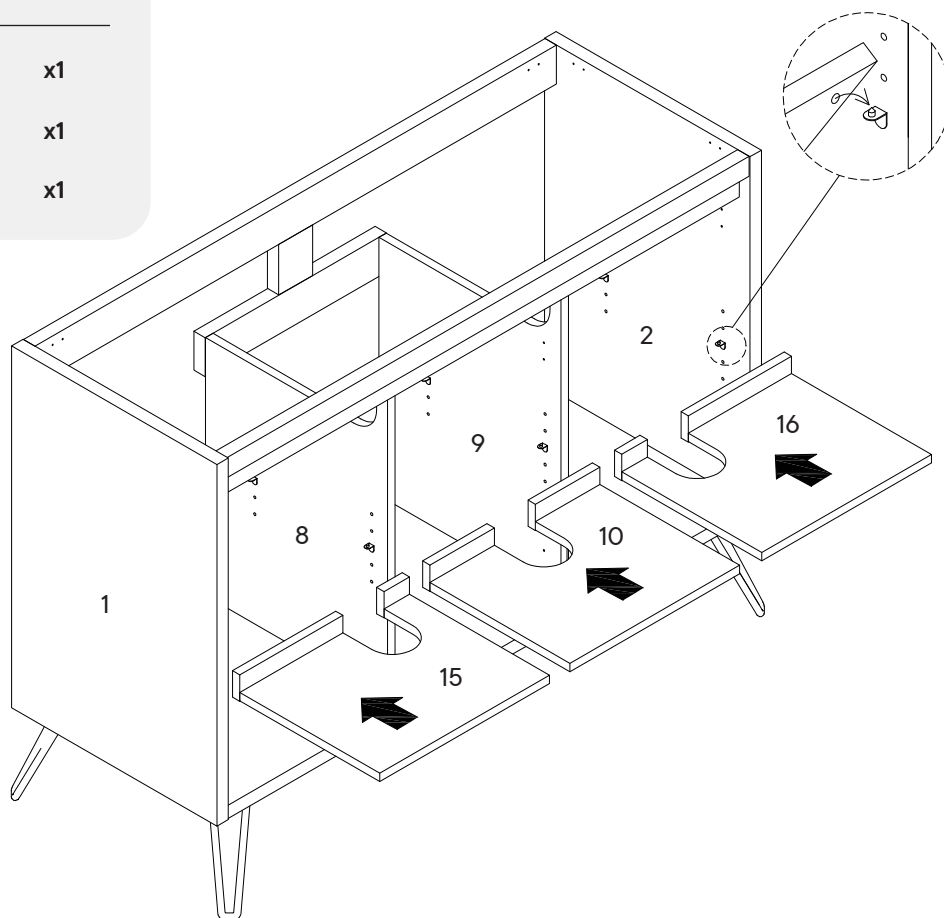
- 10** Shelf Panel 1 x1
- 15** Shelf Panel 2 x1
- 16** Shelf Panel 3 x1
- 17** Base Panel 1 x2
- 18** Base Panel 2 x2
- 19** Base Panel 3 x2



Step 12

COMPONENTS

- 10 Shelf Panel 1 x1
- 15 Shelf Panel 2 x1
- 16 Shelf Panel 3 x1



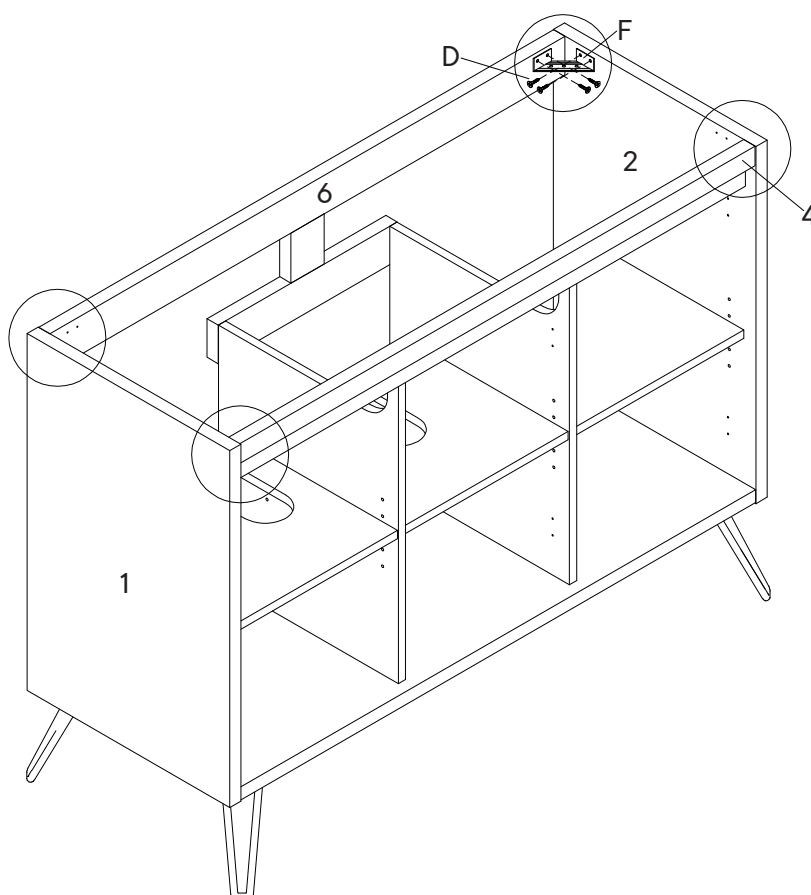
Step 13

HARDWARE

- D Screw 4 x 14mm x16
- F Corner Bracket x4

COMPONENTS

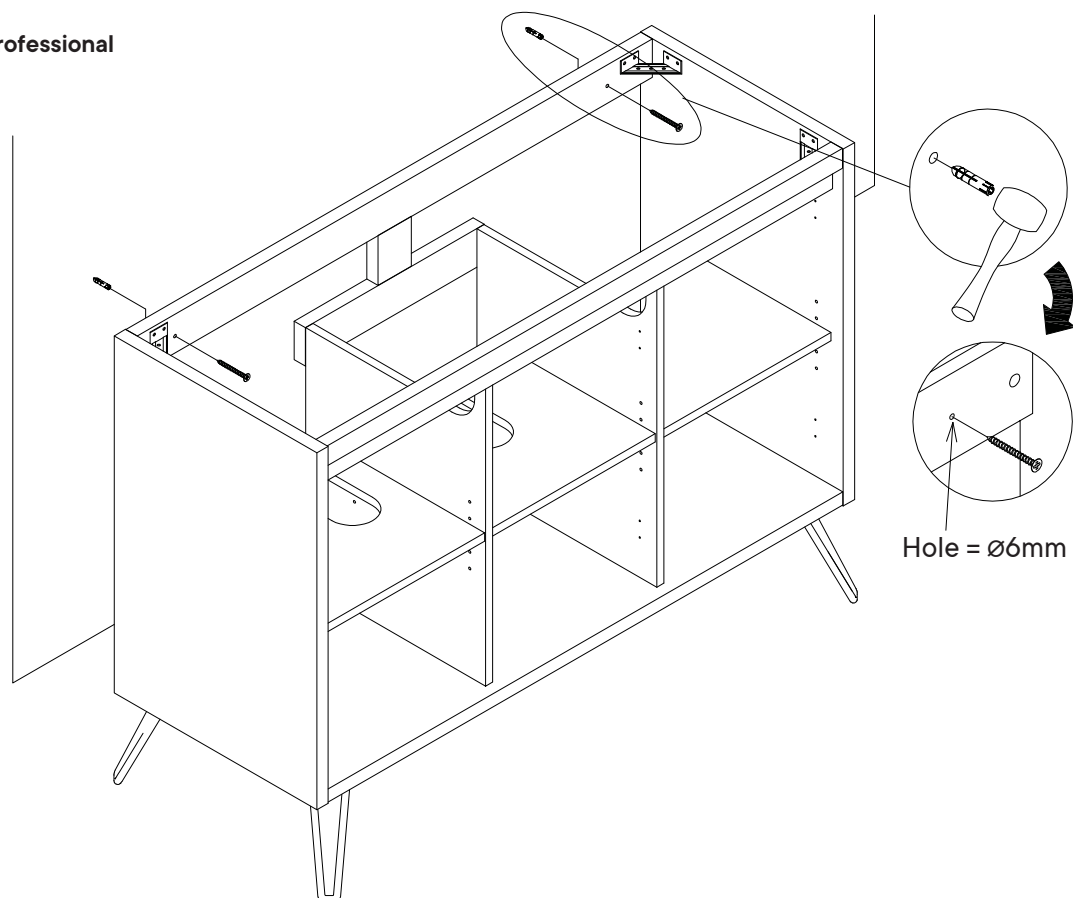
- 1 Left Side Panel x1
- 2 Right Side Panel x1
- 4 Front Support x1
- 6 Back Panel 1 x1



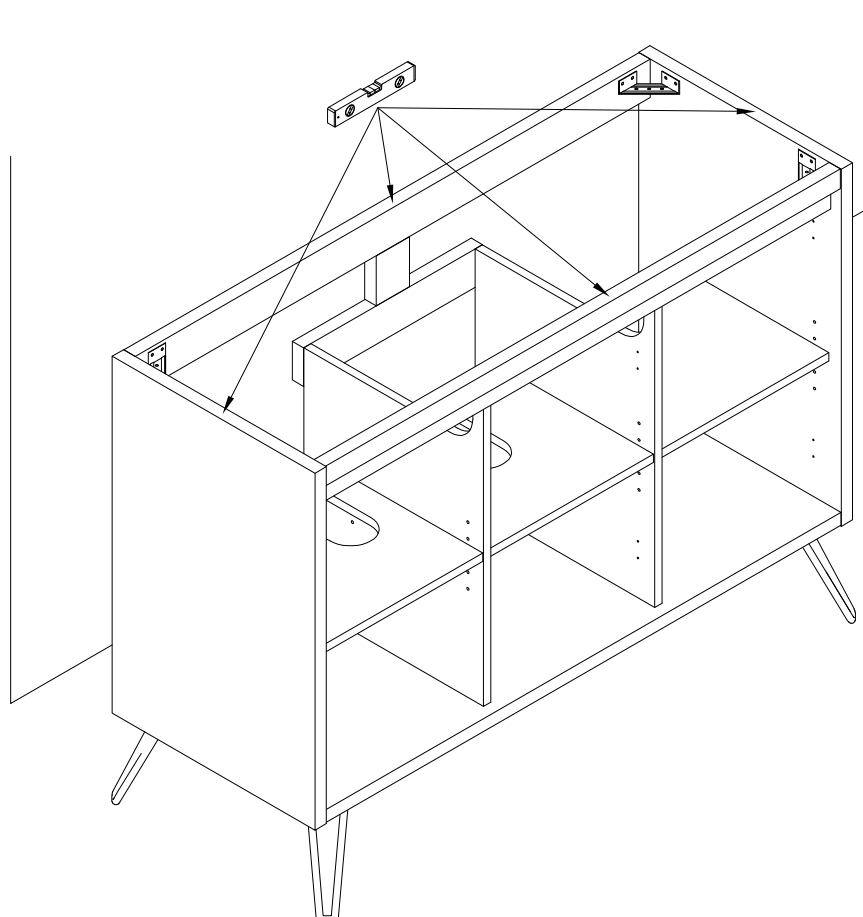
Step 14

NOTE: Mounting hardware and tools are not included.

We suggest professional installation.



Step 15



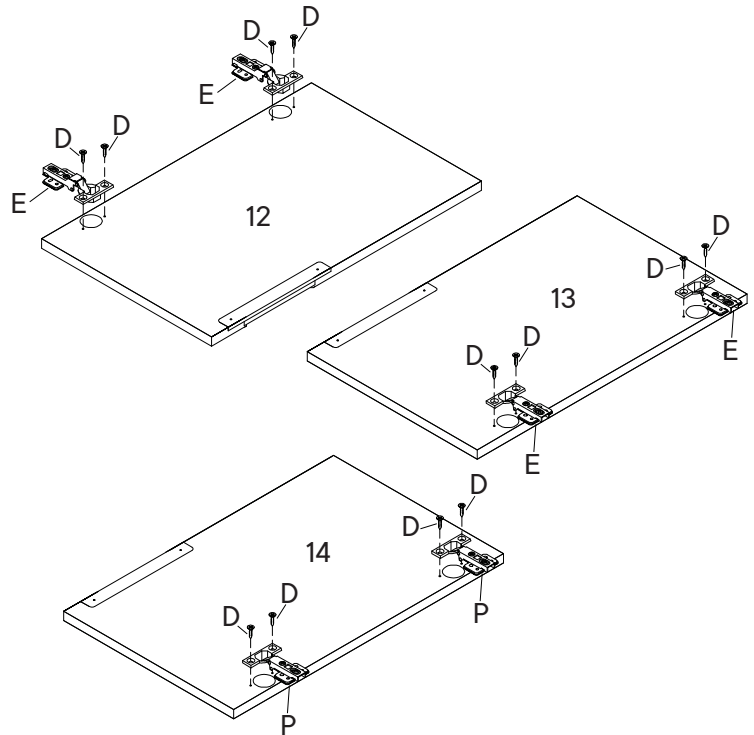
Step 16

HARDWARE

- D** Screw 4 x 14mm x12
- E** Door Hinge (Full Overlay) x4
- P** Door Hinge (Half Overlay) x2

COMPONENTS

- 12** Door Panel Left x1
- 13** Door Panel Right x1
- 14** Door Panel Center x1



Step 17

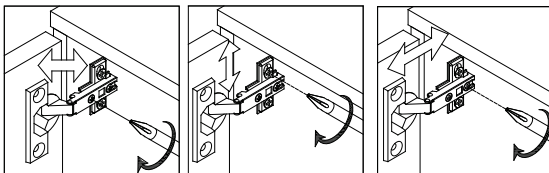
HARDWARE

- D** Screw 4 x 14mm x24
- J** Rubber Pad x8

COMPONENTS

- 12** Door Panel Left x1
- 13** Door Panel Right x1
- 14** Door Panel Center x1

Adjust the hinges, if required.

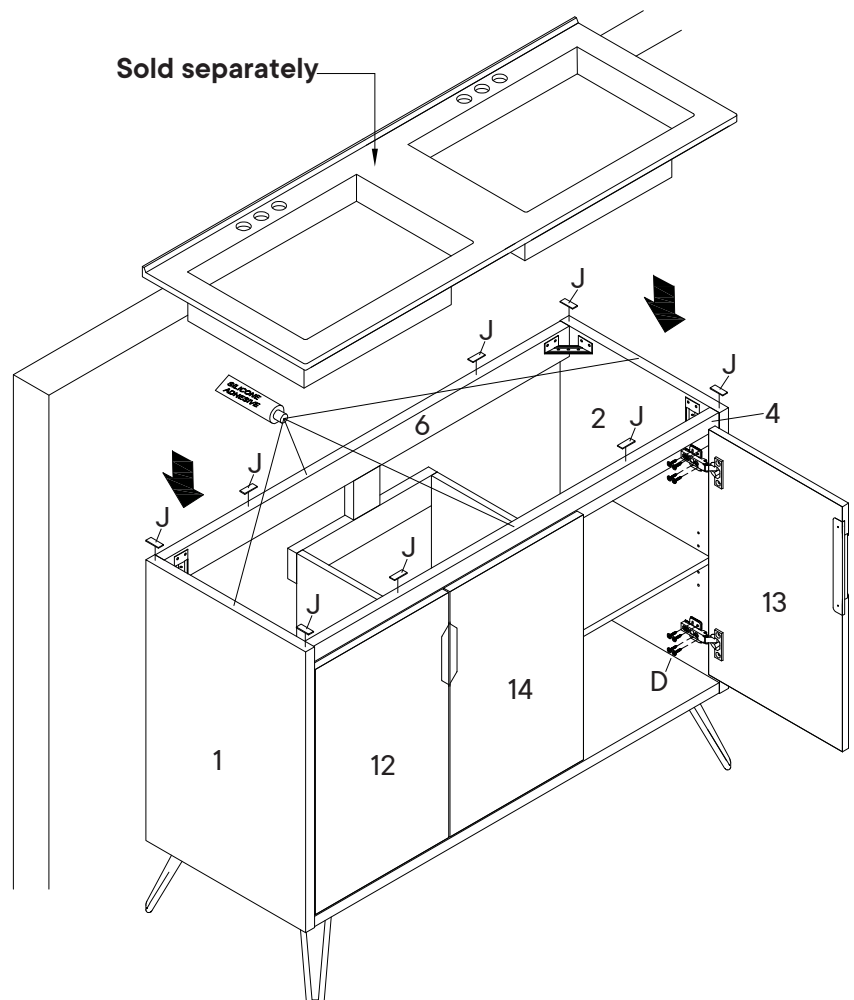


Adjust laterally

Adjust height

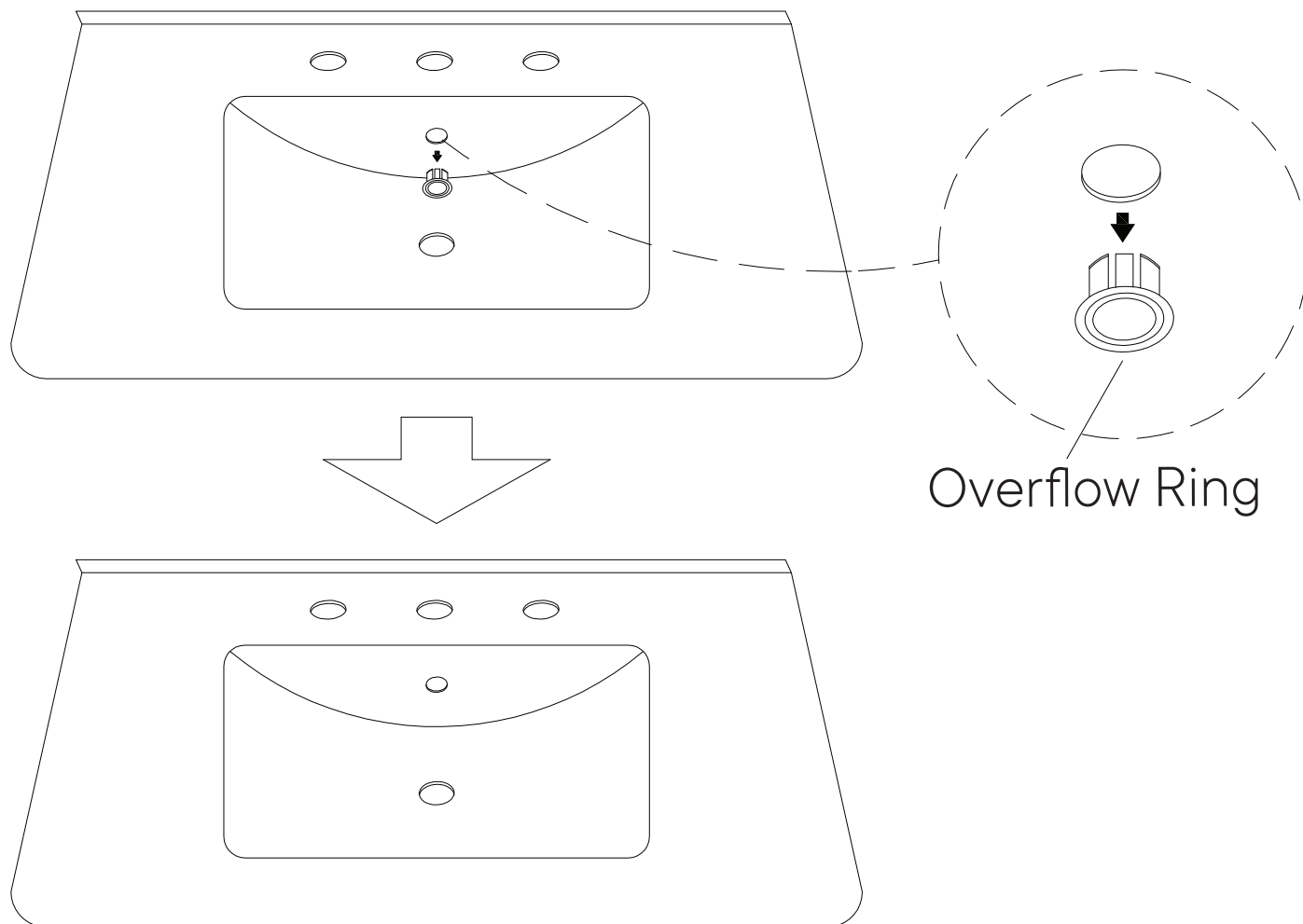
Adjust depth

Temporarily remove/dismantle the Door & Shelf during Basin/Sink /Plumbing work installation work to prevent water damage.



A quick note...

Your sink basin comes complete with a silver overflow ring.
If you'd like to remove this overflow ring, you can do so by hand.



Wait!

Missing parts or hardware? Need assistance?
Contact us before returning your item. We're here to help!
609.256.9000 • cs@modway.com

Great job!

Cabinet assembly is complete.

♥ CARING FOR YOUR ITEM

Indoor use only.

Not contract grade.

Clean using a non-abrasive cloth and a mild cleaner.

Never use harsh chemicals, as they could damage the finish or integrity of the item.

CONNECT WITH US!   

Tag us [@modway_furniture](#) and [#modway](#) for a chance to be featured.

