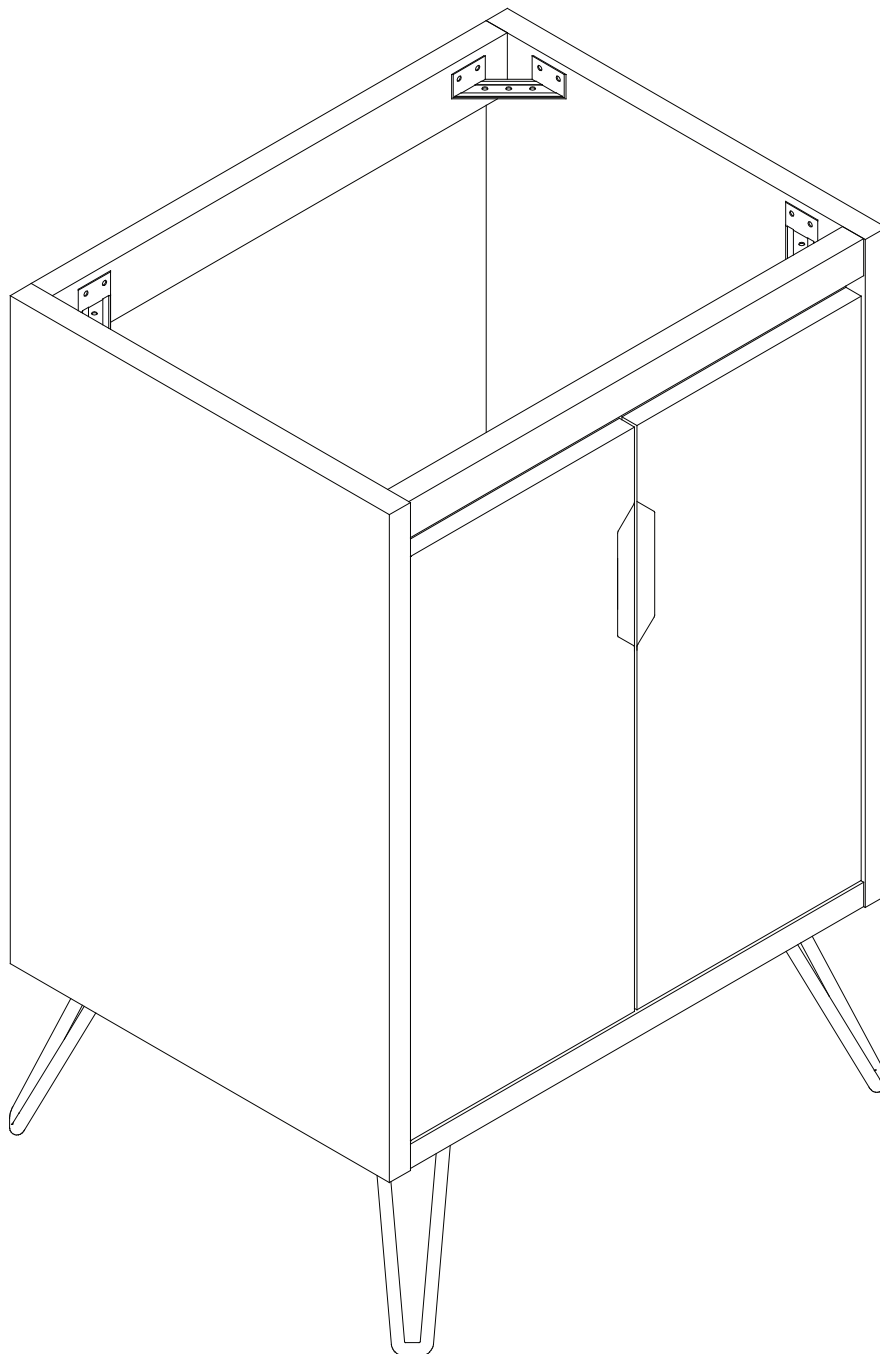


# ASSEMBLY INSTRUCTIONS

# EEI-5548

V1.05.20.21



## Questions? Contact us!

609.256.9000 • [cs@modway.com](mailto:cs@modway.com)  
[www.modway.com](http://www.modway.com)

\*modway

# Let's get started!

\*modway



Read through all of the instructions before starting



Care instructions are listed in the last step of this manual



Approx. 90 minutes assembly time



Make sure you have all parts and components before discarding any packing materials



2 people recommended for assembly

**Only use hand tools to assemble this item.** Do not use power tools. Do not tighten bolts or screws completely until all hardware is lined up and inserted into the holes.

Do not over-tighten screws and bolts to avoid stripping the hardware or cracking the item.

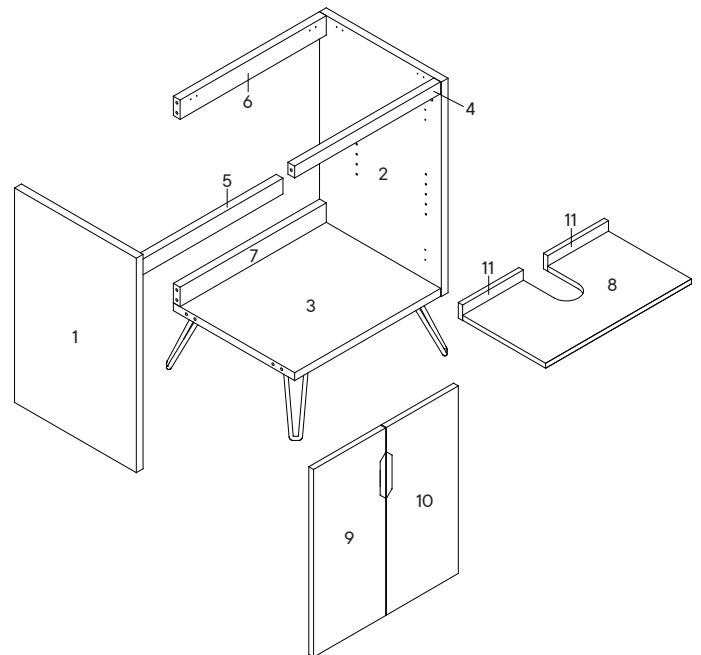
For vanity and plumbing installation, we suggest hiring a professional contractor and plumber.

Assemble your item on a flat, carpeted area, with plenty of space to work. This will prevent damage and scratches to your floors or the item while you're assembling the product.

Keep all components and packaging out of reach of children or animals to avoid risk of choking or suffocation.

## Furniture components:

1	Left Side Panel	x1	7	Back Panel 2	x1
2	Right Side Panel	x1	8	Shelf Panel	x1
3	Bottom Panel	x1	9	Door Panel Left	x1
4	Front Support	x1	10	Door Panel Right	x1
5	Support Panel	x1	11	Base Panel	x2
6	Back Panel 1	x1			



## Provided hardware:

A		Wood Dowel M8 x 25mm	x12	G		Screw 4 x 20mm	x16
B		Cam Bolt Ø6 x 24mm	x10	H		Metal Leg	x4
C		Cam Lock Ø15	x10	I		Shelf Support	x4
D		Screw 4 x 14mm	x44	J		Rubber Pad	x4
E		Door Hinge	x4	K		L-Bracket	x1
F		Corner Bracket	x4	L		Screw 9 x 38mm	x4

## What you need:

Phillips Head Screwdriver

## You may also need:

- + Power Drill
- + Level
- + Silicone Adhesive or Caulk
- + Drywall Anchors and Screws
- + Other Wall-Mounting Hardware

**Wait!**

Missing parts or hardware? Need assistance?  
Contact us before returning your item. We're here to help!  
609.256.9000 • cs@modway.com

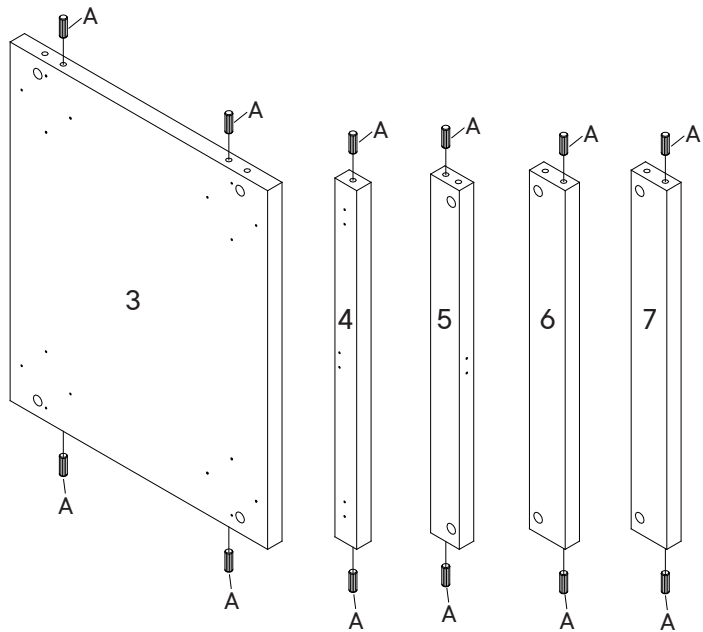
# Step 1

## HARDWARE

- A** Wood Dowel M8 x 25mm x12

## COMPONENTS

- 3** Bottom Panel x1
- 4** Front Support x1
- 5** Support Panel x1
- 6** Back Panel 1 x1
- 7** Back Panel 2 x1



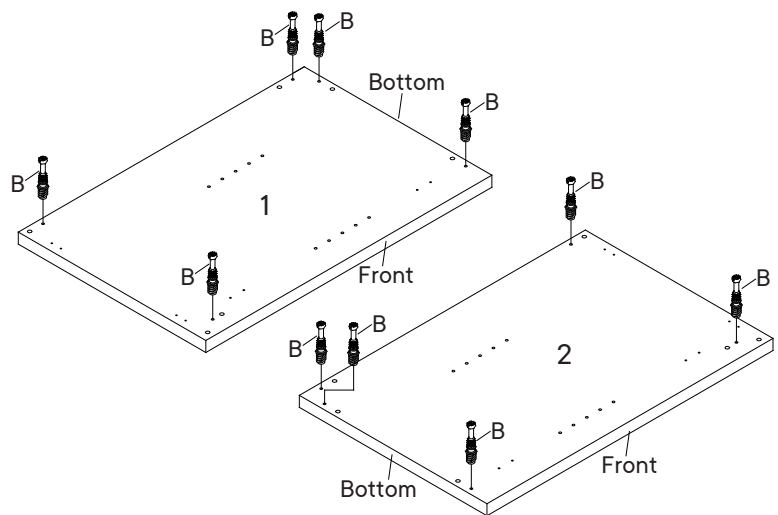
# Step 2

## HARDWARE

- B** Cam Bolt  $\varnothing 6 \times 24\text{mm}$  x10

## COMPONENTS

- 1** Left Side Panel x1
- 2** Right Side Panel x1



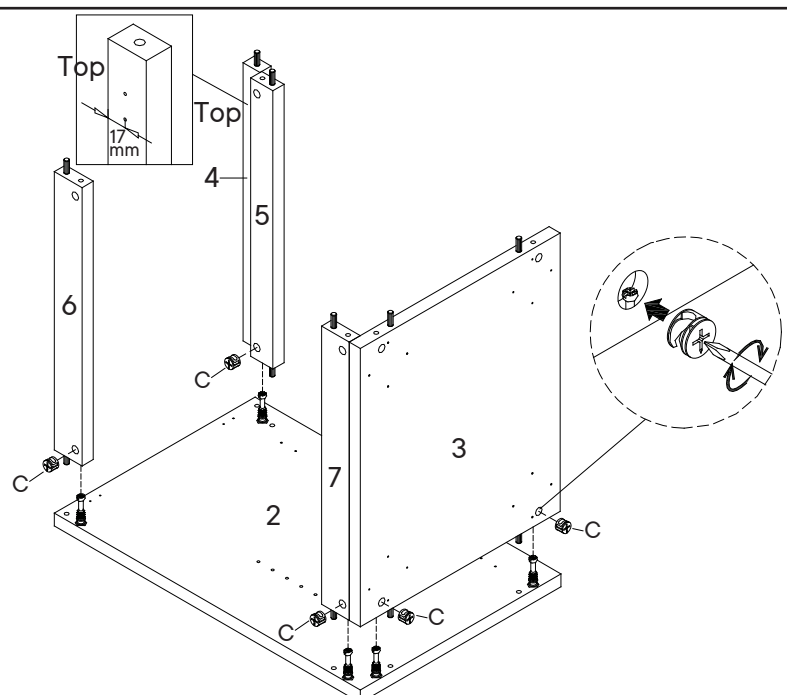
# Step 3

## HARDWARE

- C** Cam Lock  $\varnothing 15$  x5

## COMPONENTS

- 2** Right Side Panel x1
- 3** Bottom Panel x1
- 4** Front Support 1 x1
- 5** Support Panel x1
- 6** Back Panel 1 x1
- 7** Back Panel 2 x1



# Step 4

## HARDWARE

**C** Cam Lock Ø15 x5

## COMPONENTS

**1** Left Side Panel x1

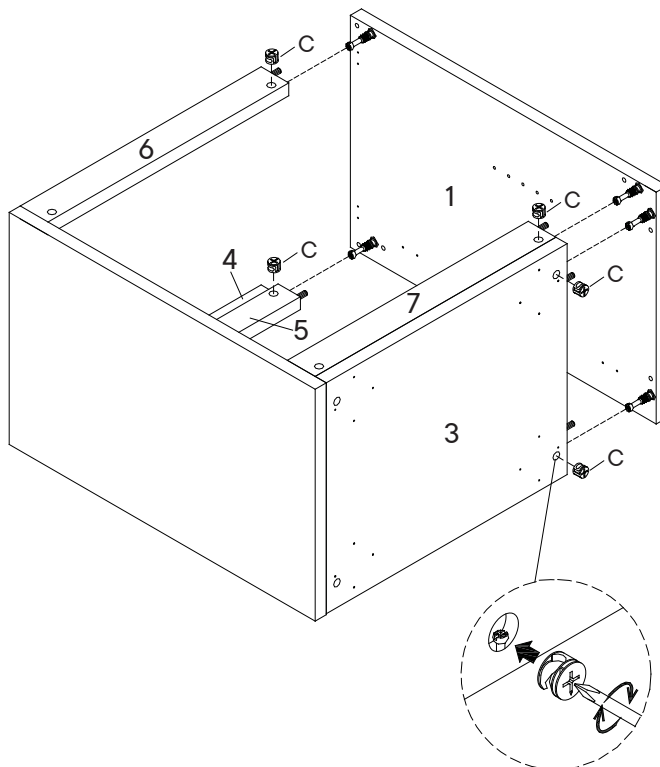
**3** Bottom Panel x1

**4** Front Support x1

**5** Support Panel x1

**6** Back Panel 1 x1

**7** Back Panel 2 x1

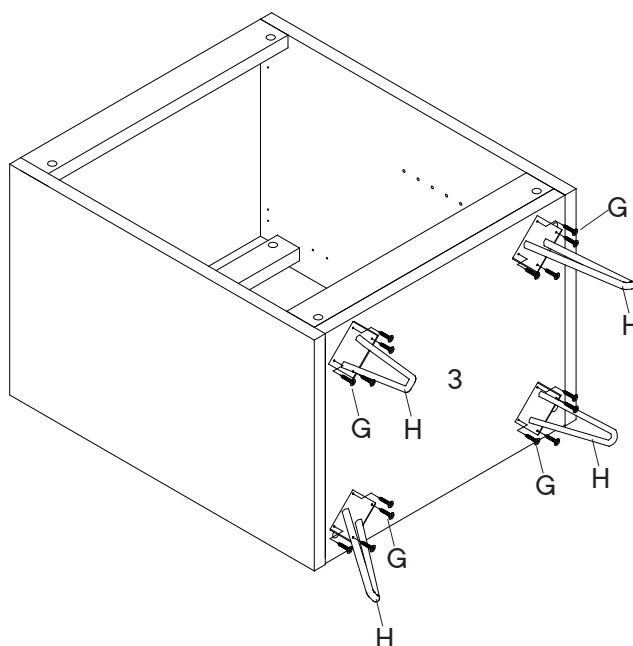


# Step 5

## HARDWARE

**G** Screw 4 x 20mm x16

**H** Metal Leg x4



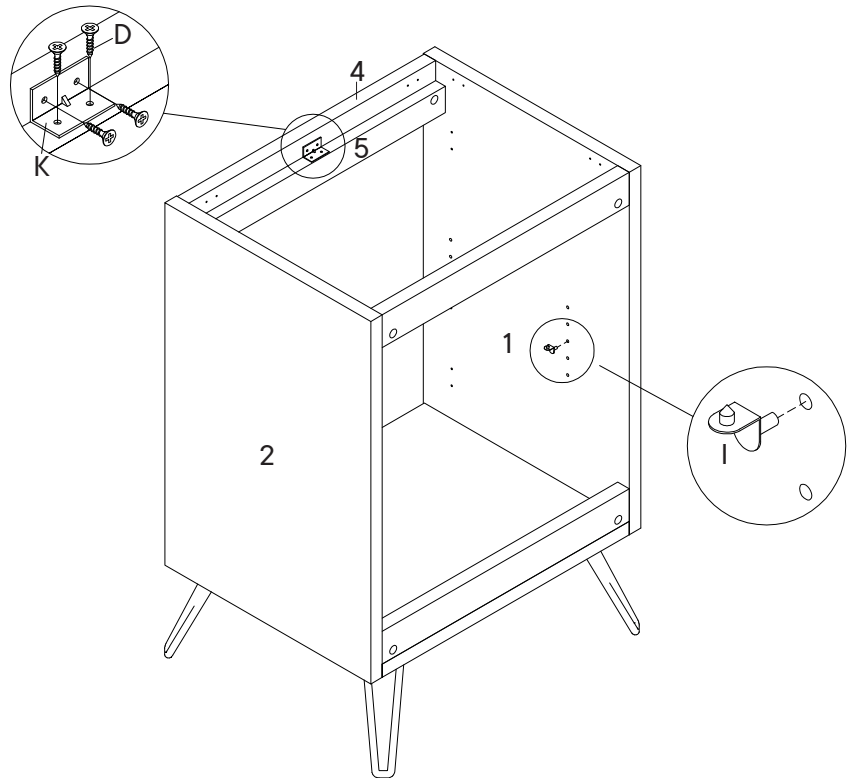
## Step 6

### HARDWARE

- D** Screw 4 x 14mm x4
- I** Shelf Support x4
- K** L-Bracket x1

### COMPONENTS

- 1** Left Side Panel x1
- 2** Right Side Panel x1
- 4** Front Support x1
- 5** Support Panel x1



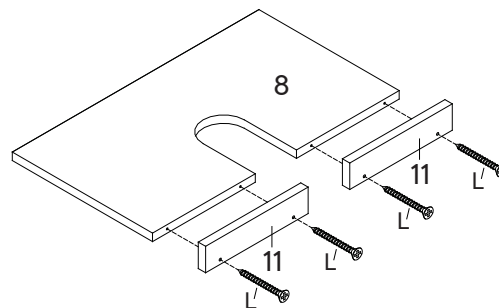
## Step 7

### HARDWARE

- L** Screw 9 x 38mm x4

### COMPONENTS

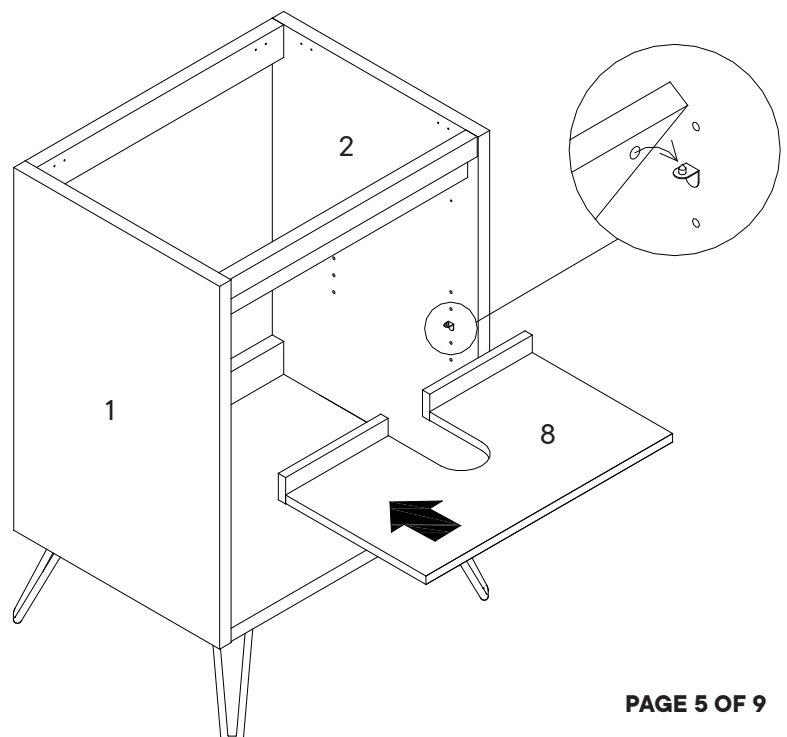
- 8** Shelf Panel x1
- 11** Base Panel x2



## Step 8

### COMPONENTS

- 8** Shelf Panel x1



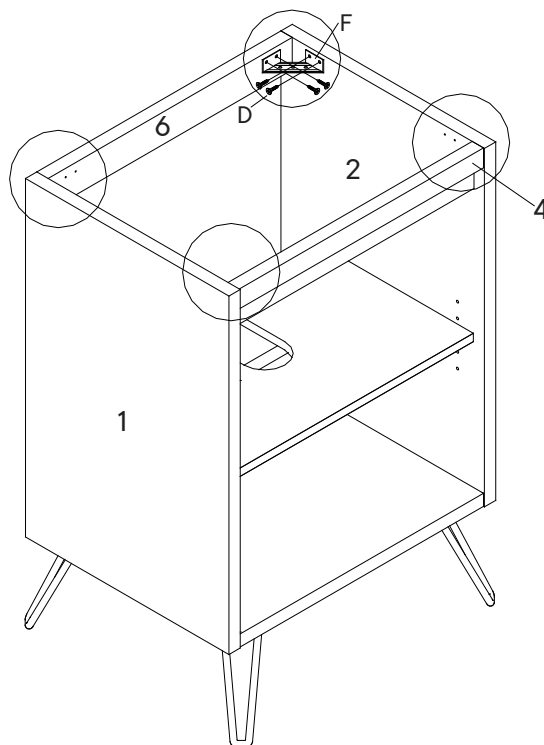
## Step 9

### HARDWARE

- D** Screw 4 x 14mm x16
- F** Corner Bracket x4

### COMPONENTS

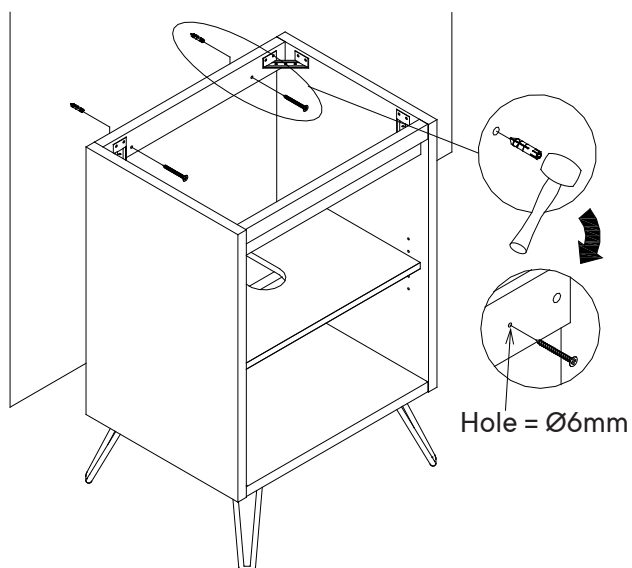
- 1** Left Side Panel x1
- 2** Right Side Panel x1
- 4** Front Support x1
- 6** Back Panel 1 x1



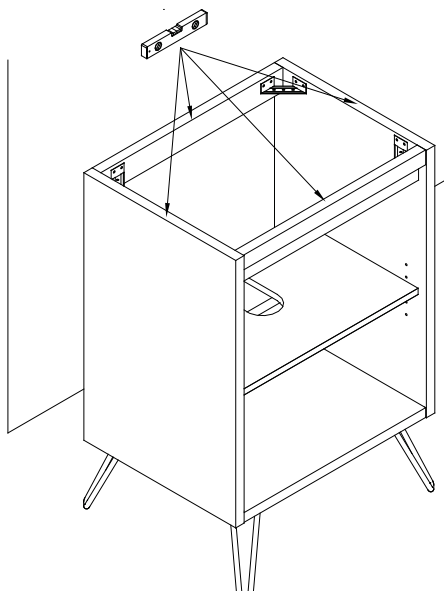
## Step 10

**NOTE:** Mounting hardware and tools are not included.

We suggest professional installation.



## Step 11



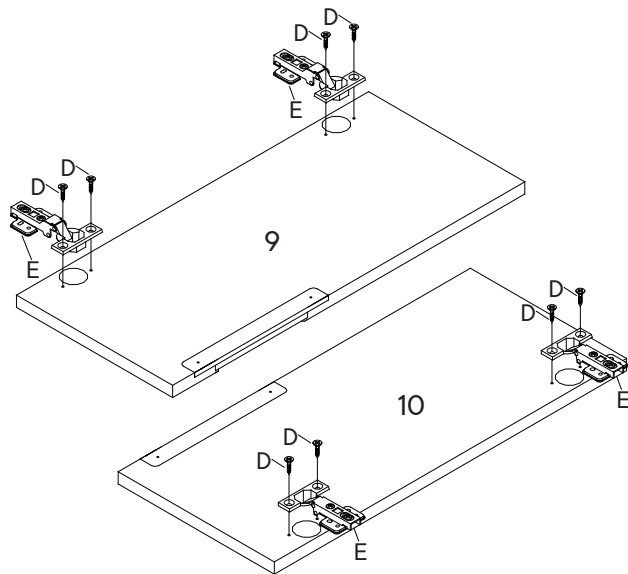
# Step 12

## HARDWARE

- D** Screw 4 x 14mm x8
- E** Door Hinge x4

## COMPONENTS

- 9** Door Panel Left x1
- 10** Door Panel Right x1



# Step 13

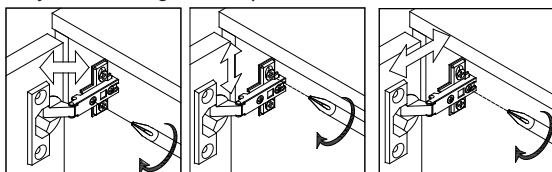
## HARDWARE

- D** Screw 4 x 14mm x16
- J** Rubber Pad x4

## COMPONENTS

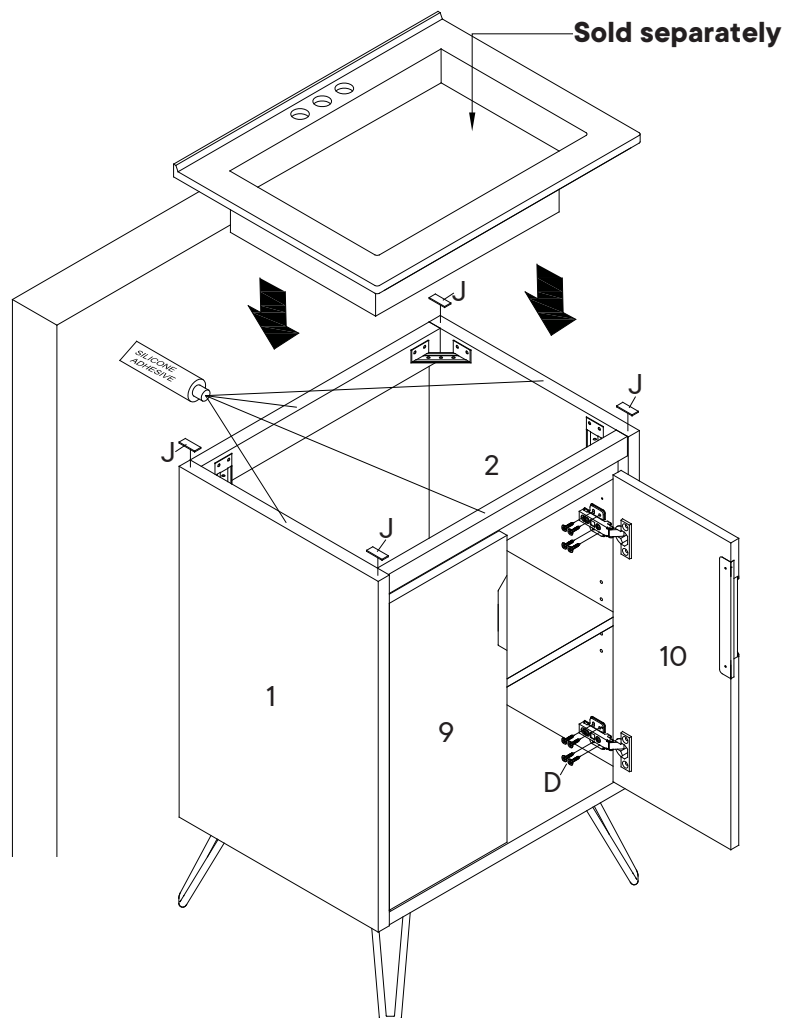
- 9** Door Panel Left x1
- 10** Door Panel Right x1

Adjust the hinges, if required.



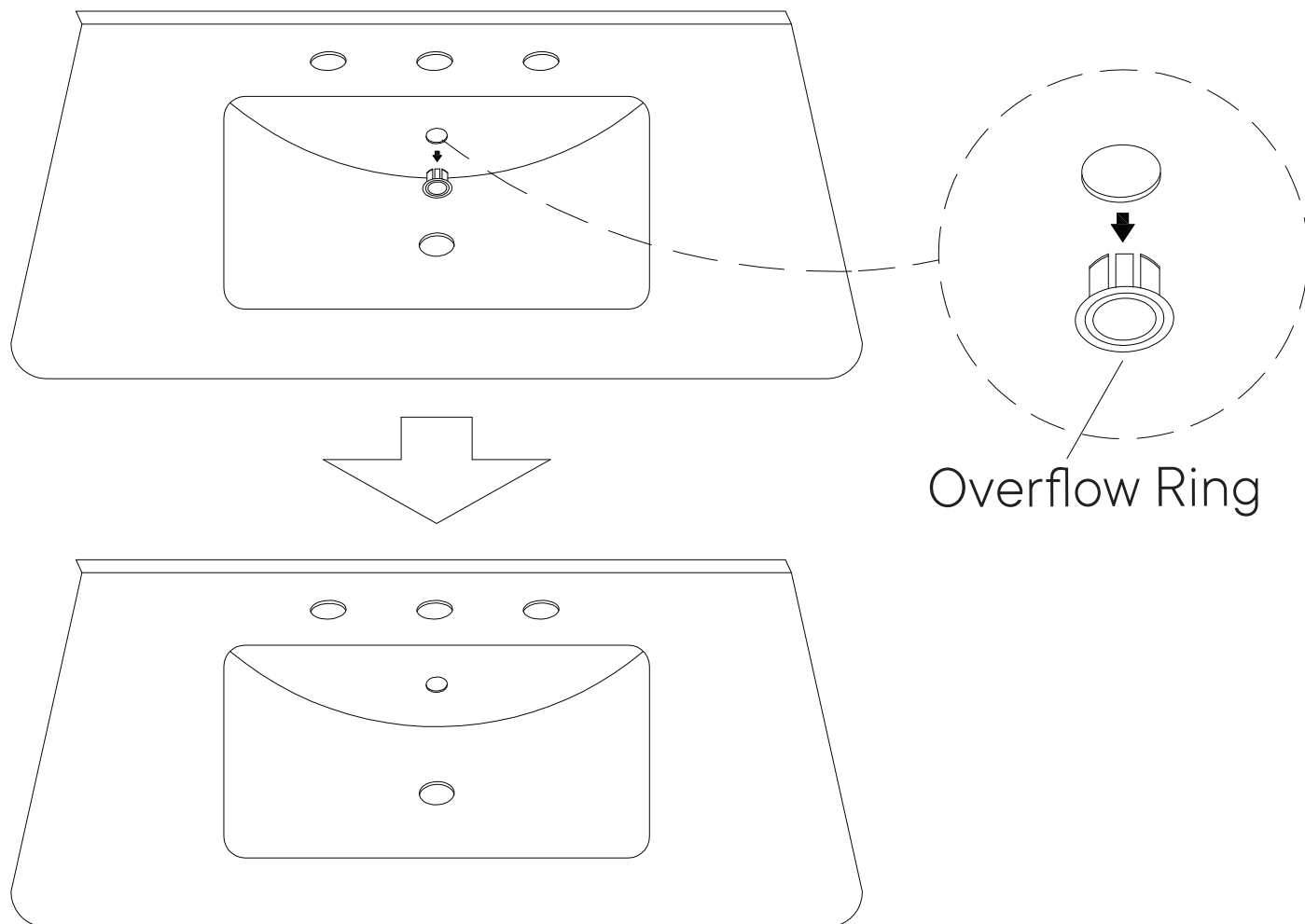
Adjust laterally    Adjust height    Adjust depth

**Temporarily remove/dismantle the Door & Shelf during Basin/Sink /Plumbing work installation work to prevent water damage.**



# A quick note...

Your sink basin comes complete with a silver overflow ring.  
If you'd like to remove this overflow ring, you can do so by hand.



**Wait!**

**Missing parts or hardware? Need assistance?**

Contact us before returning your item. We're here to help!

609.256.9000 • [cs@modway.com](mailto:cs@modway.com)



# Great job!

Cabinet assembly is complete.

## ♥ CARING FOR YOUR ITEM

Indoor use only.

Not contract grade.

Clean using a non-abrasive cloth and a mild cleaner.

Never use harsh chemicals, as they could damage the finish or integrity of the item.

CONNECT WITH US!   

Tag us [@modway\\_furniture](#) and [#modway](#) for a chance to be featured.

