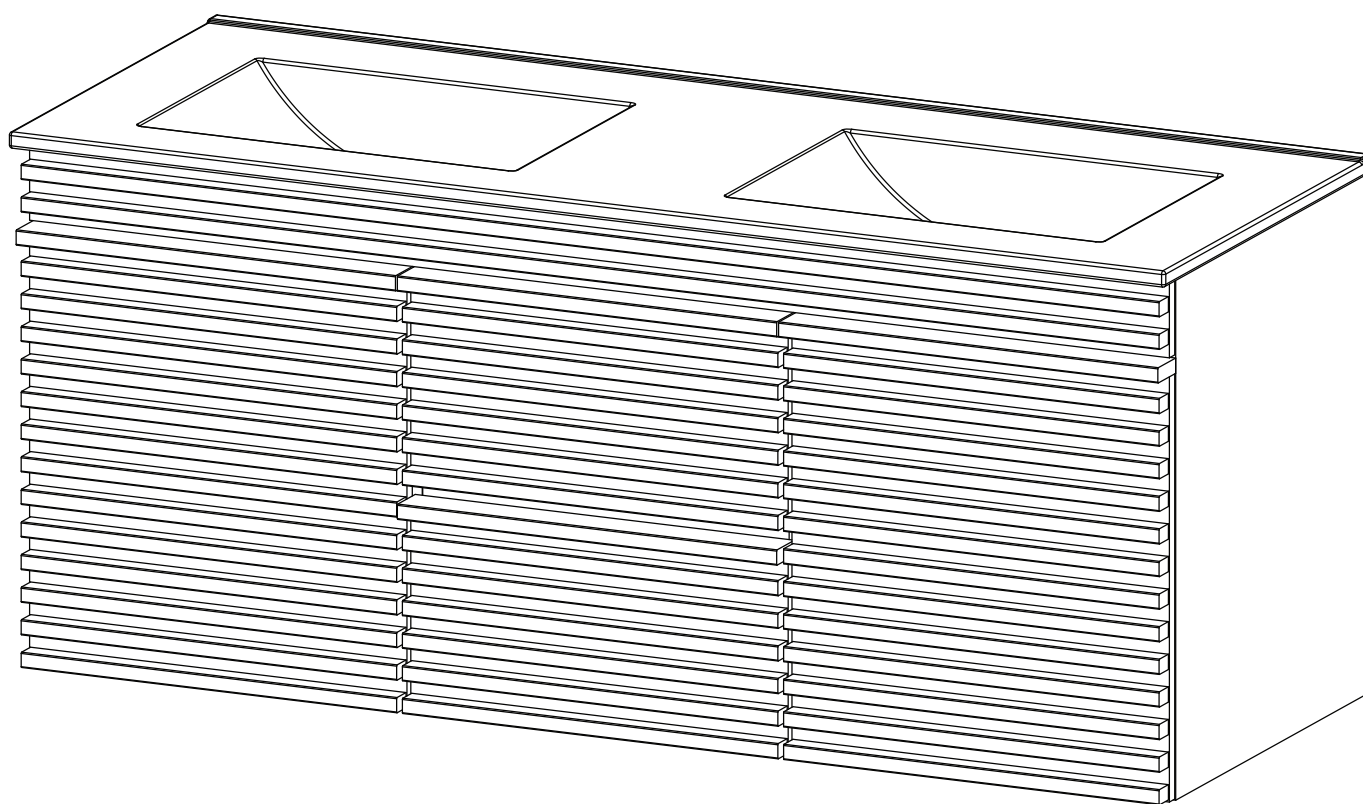


ASSEMBLY INSTRUCTIONS

EEI-5867

V0.09.28.21



Questions? Contact us!

609.256.9000 • cs@modway.com
www.modway.com

*modway

Let's get started!

*modway



Read through all of the instructions before starting



Care instructions are listed in the last step of this manual



Approx. 120 minutes assembly time



Make sure you have all parts and components before discarding any packing materials



2 people recommended for assembly

Only use hand tools to assemble this item. Do not use power tools. Do not tighten bolts or screws completely until all hardware is lined up and inserted into the holes.

Do not over-tighten screws and bolts to avoid stripping the hardware or cracking the item.

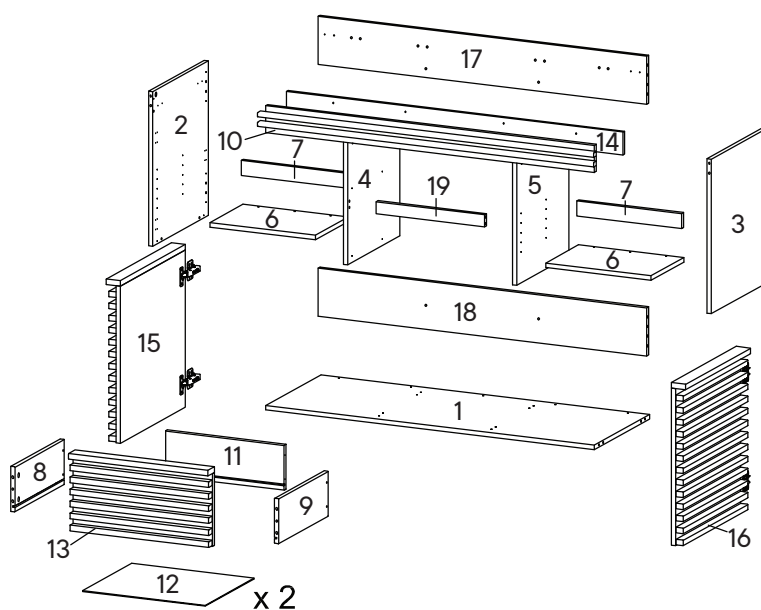
For vanity and plumbing installation, we suggest hiring a professional contractor and plumber.

Assemble your item on a flat, carpeted area, with plenty of space to work. This will prevent damage and scratches to your floors or the item while you're assembling the product.

Keep all components and packaging out of reach of children or animals to avoid risk of choking or suffocation.

Furniture components:

1	Bottom Board	x1	11	Back Drawer	x2
2	Side Board Left	x1	12	Bottom Drawer	x2
3	Side Board Right	x1	13	Front Drawer	x2
4	Center Board Left	x1	14	Support Board 1	x1
5	Center Board Right	x1	15	Door Left	x1
6	Adjustable Shelf	x2	16	Door Right	x1
7	Support Adjustable Shelf	x2	17	Back Skirt Upper	x1
8	Side Drawer Left	x2	18	Back Skirt Lower	x1
9	Side Drawer Right	x2	19	Support Board 2	x1
10	Front Skirt	x1			



Provided hardware:

A		Cam Bolt Ø6 x 35 mm	x14	L		Screw 5.5 x 45 mm	x10	BO45		Support Connecting Bracket	x2
B		Cam Lock Ø15 mm	x16	M		Hanger + Plastic Cover	x2	HS26A		Hinge	x4
C		Cam Lock Ø12 mm	x8	N		JCN Nut	x10	PA11		Long Bracket	x1
D		Wood Dowel Ø8 x 30 mm	x28	O		Screw M 6.4 x 25 mm	x4	PA05		Short Bracket	x4
E		Wood Dowel Ø6 x 30 mm	x4	P		Wall Plug	x10				
F		Cam Bolt Ø6 x 32 mm	x10	Q		Foam / Rubber Pad	x10				
G		Screw M 4.5 x 12.5 mm	x52	R		Screw M 6 x 15 mm	x10				
H		Shelf Support	x8	S		Screw M 7 x 50 mm	x15				
I		Screw M 6 x 10.5 mm	x8	T		Allen Key	x2				
J		Screw M 3.5 x 13 mm	x12	BC67		Bracket	x4				
K		Screw M 8 x 39 mm	x8	RM30A		Drawer Runner	x2				

What you need:

Phillips Head Screwdriver

You may also need:

- + Power Drill
- + Level
- + Silicone Adhesive or Caulk
- + Drywall Anchors and Screws
- + Other Wall-Mounting Hardware

Wait!

Missing parts or hardware? Need assistance?
Contact us before returning your item. We're here to help!
609.256.9000 • cs@modway.com

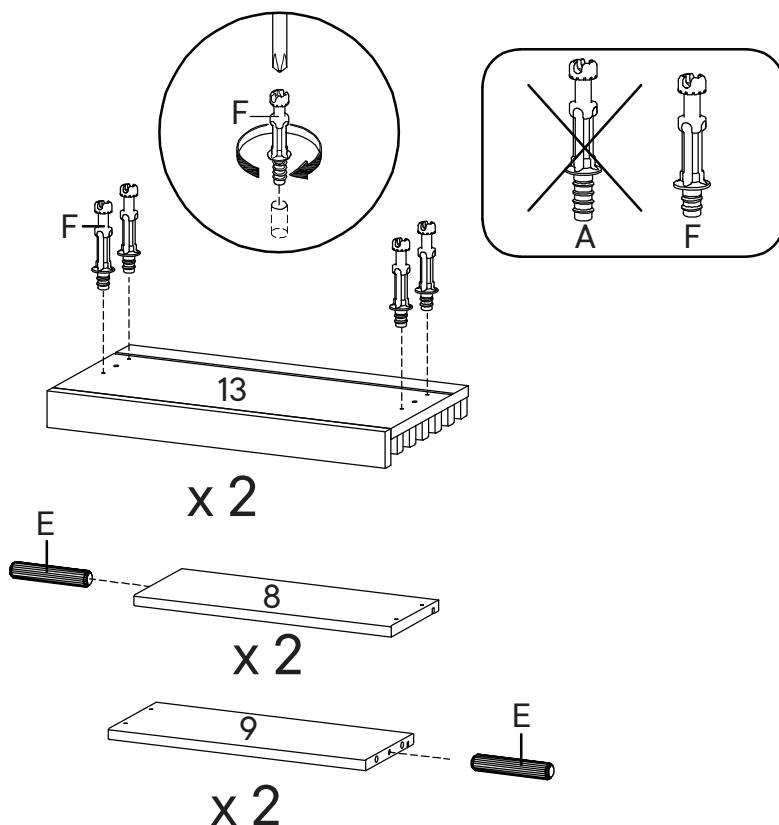
Step 1

HARDWARE

- E** Wood Dowel Ø6 x 30 mm x4
- F** Cam Bolt Ø6 x 32 mm x8

COMPONENTS

- 8** Side Drawer Left x2
- 9** Side Drawer Right x2
- 13** Front Drawer x2



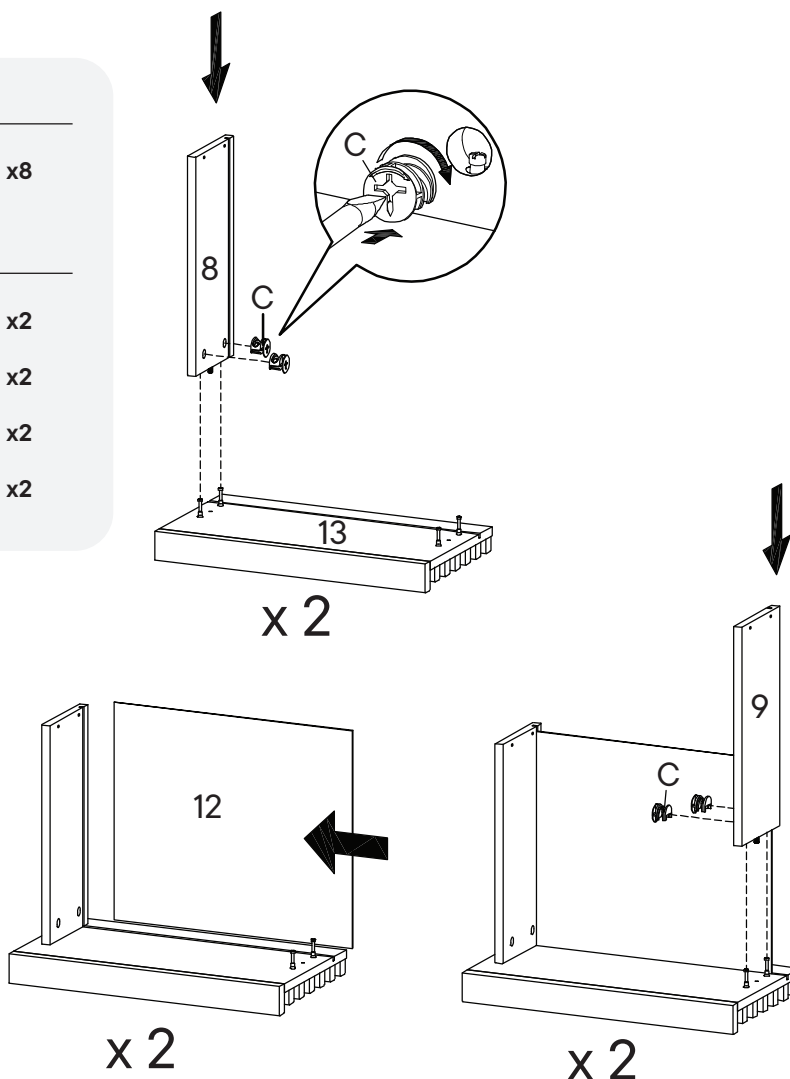
Step 2

HARDWARE

- C** Cam Lock Ø12 mm x8

COMPONENTS

- 8** Side Drawer Left x2
- 9** Side Drawer Right x2
- 12** Bottom Drawer x2
- 13** Front Drawer x2



Step 3

HARDWARE

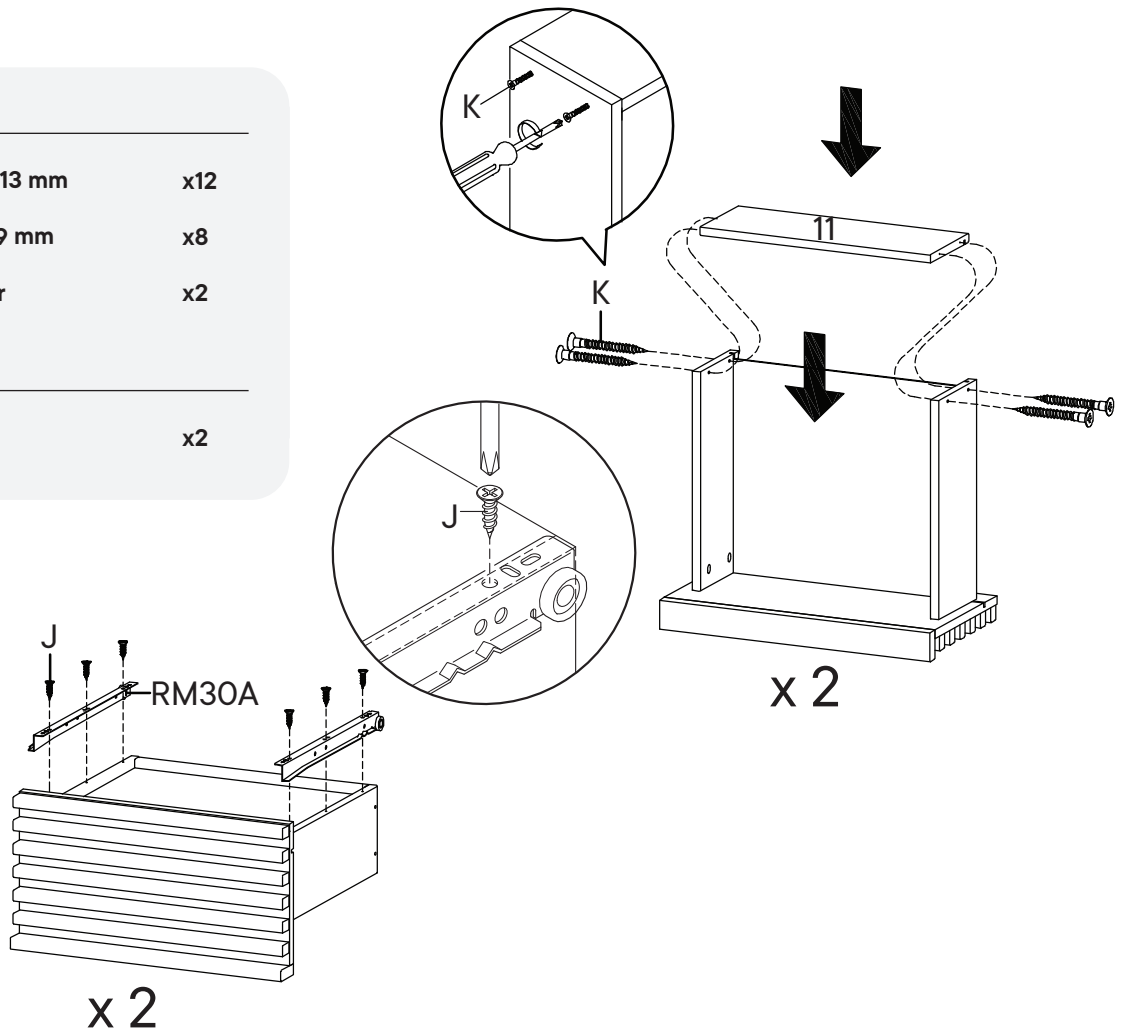
J Screw M 3.5 x 13 mm x12

K Screw M 8 x 39 mm x8

RM30A Drawer Runner x2

COMPONENTS

11 Back Drawer x2



Step 4

HARDWARE

D Wood Dowel Ø8 x 30 mm x10

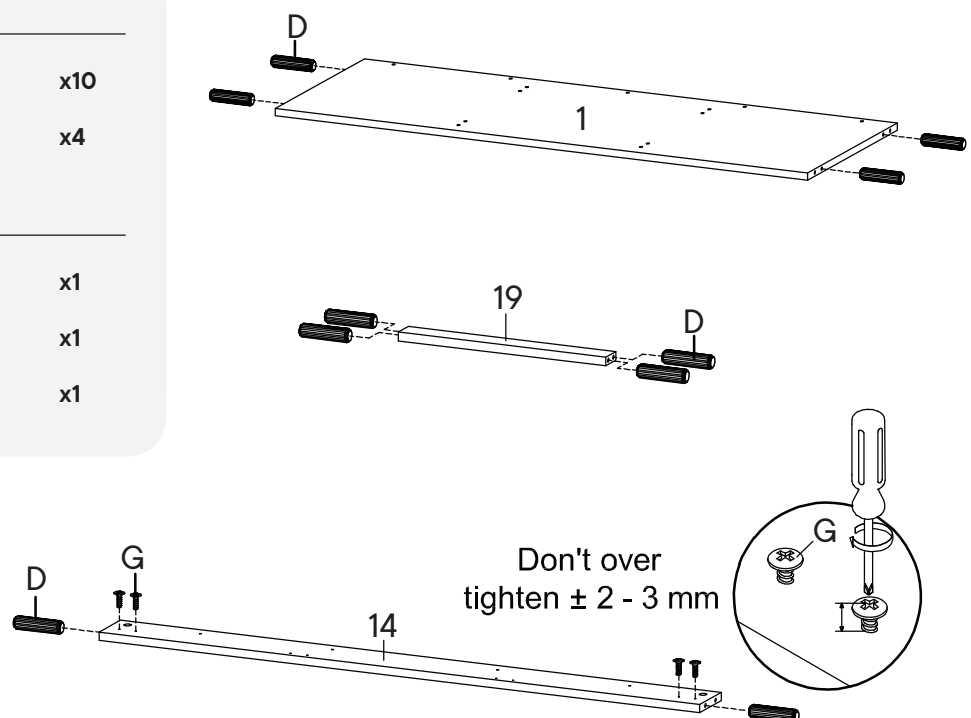
G Screw M 4.5 x 12.5 mm x4

COMPONENTS

1 Bottom Board x1

14 Support Board 1 x1

19 Support Board 2 x1



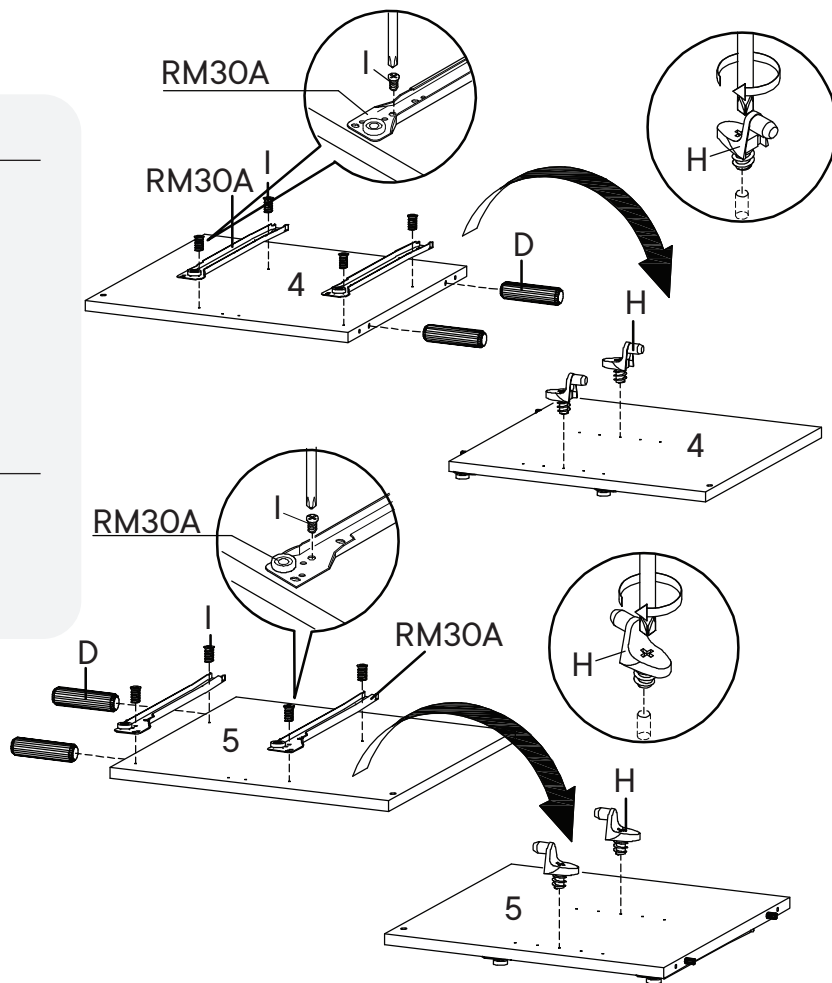
Step 5

HARDWARE

- D** Wood Dowel Ø8 x 30 mm x4
- I** Screw M 6 x 10.5 mm x8
- H** Shelf Support x4
- RM30A** Drawer Runner x2

COMPONENTS

- 4** Center Board Left x1
- 5** Center Board Right x1



Step 6

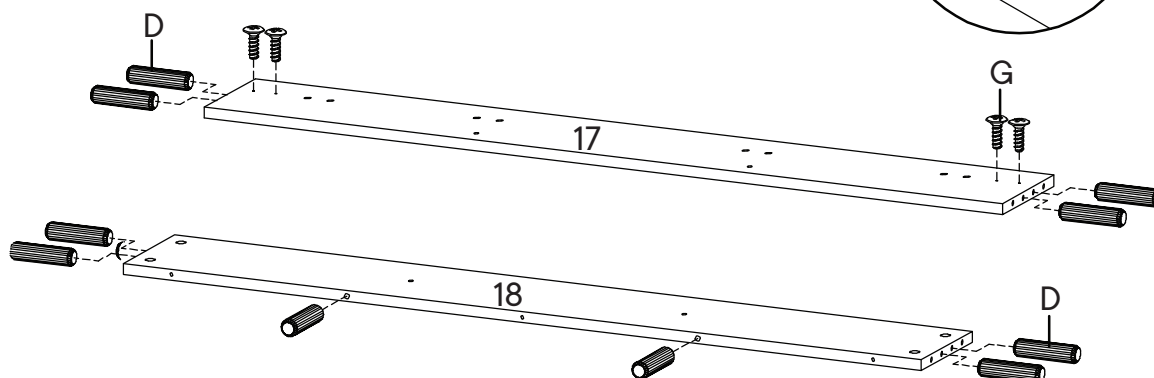
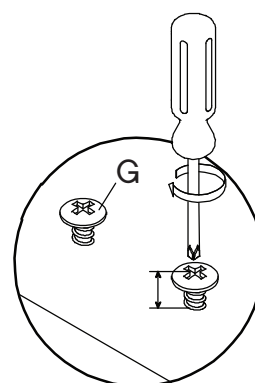
HARDWARE

- D** Wood Dowel Ø8 x 30 mm x10
- G** Screw M 4.5 x 12.5 mm x4

COMPONENTS

- 17** Back Skirt Upper x1
- 18** Back Skirt Lower x1

Don't over tighten ± 2 - 3 mm



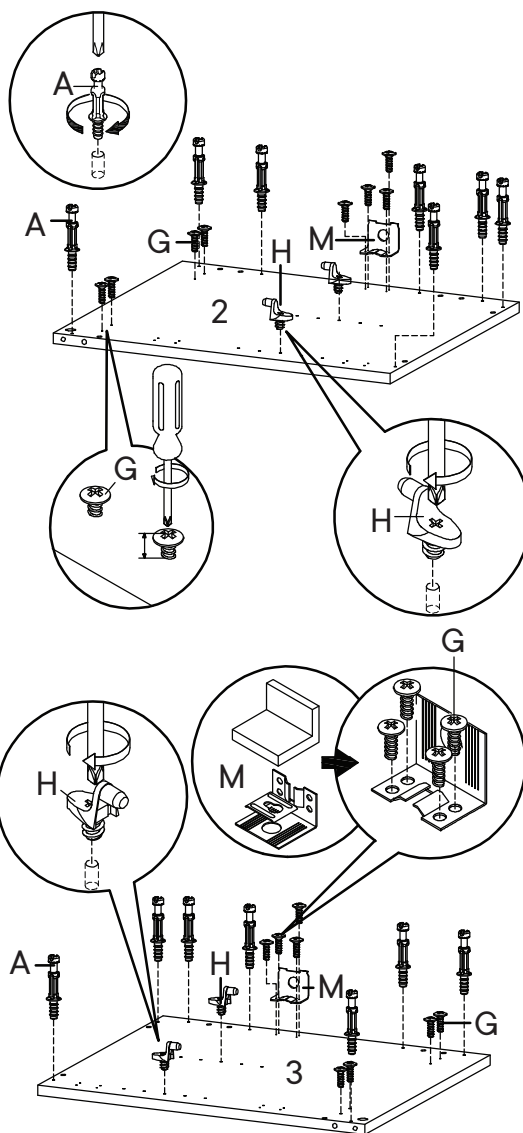
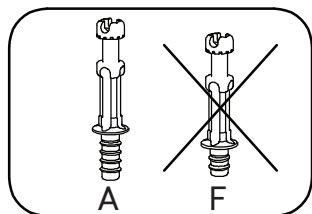
Step 7

HARDWARE

- A** Cam Bolt Ø6 x 35 mm x14
- G** Screw M 4.5 x 12.5 mm x16
- H** Shelf Support x4
- M** Hanger + Plastic Cover x2

COMPONENTS

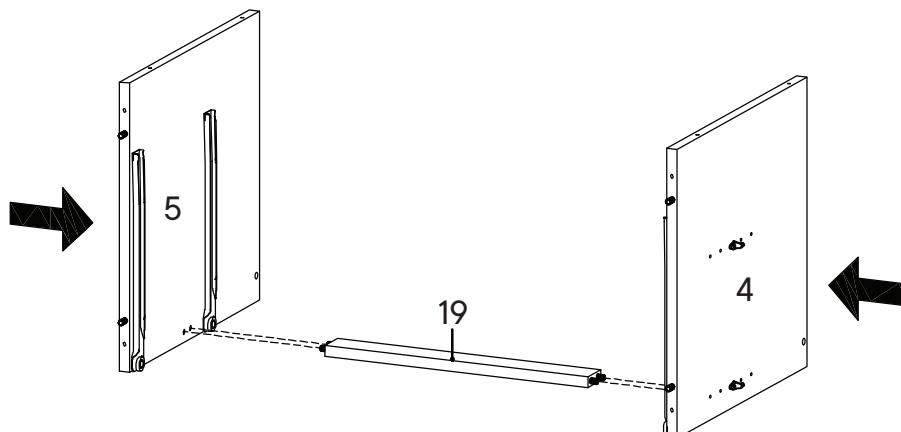
- 2** Side Board Left x1
- 3** Side Board Right x1



Step 8

COMPONENTS

- 4** Side Board Left x1
- 5** Center Board Right x1
- 19** Support Board 2 x1



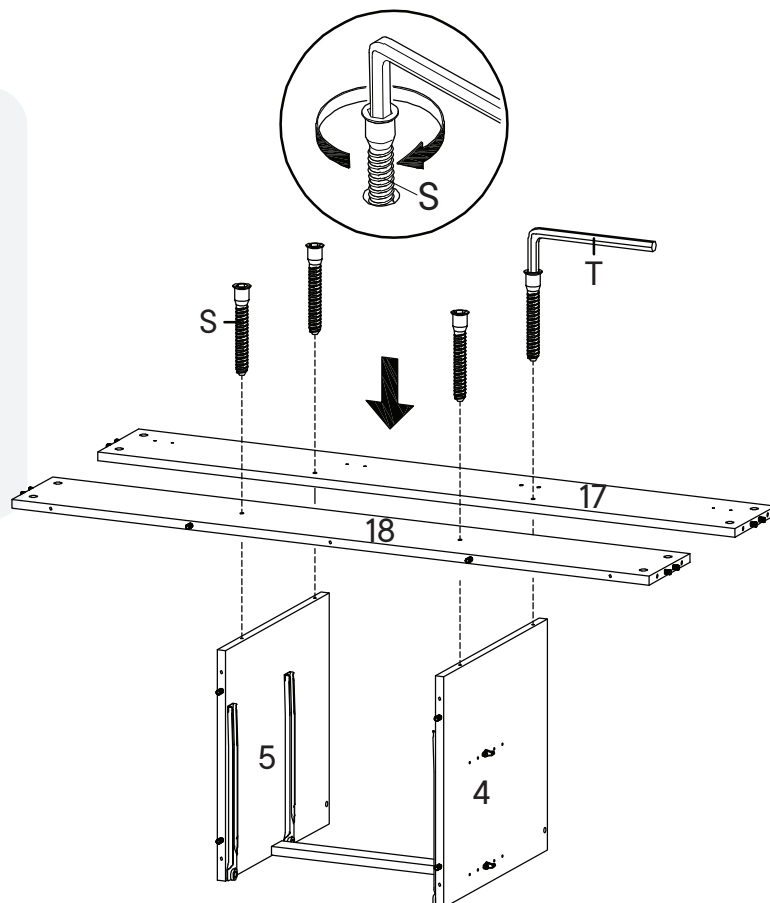
Step 9

HARDWARE

- S** Screw M 7 x 50 mm x4
- T** Allen Key x1

COMPONENTS

- 17** Back Skirt Upper x1
- 18** Back Skirt Lower x1



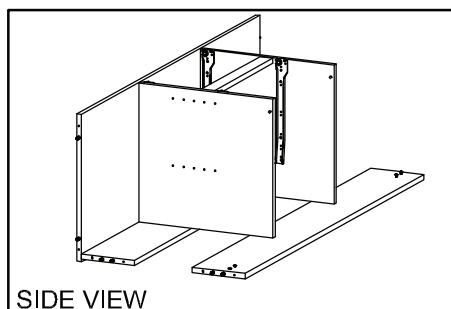
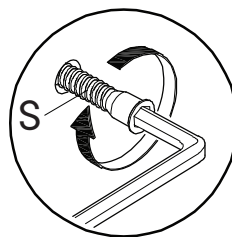
Step 10

HARDWARE

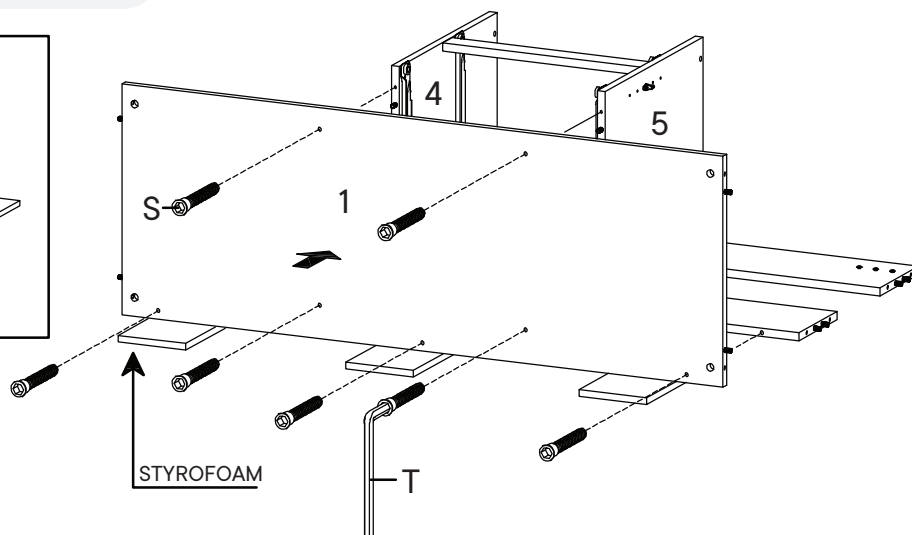
- S** Screw M 7 x 50 mm x7
- T** Allen Key x1

COMPONENTS

- 1** Bottom Board x1



SIDE VIEW



Step 11

HARDWARE

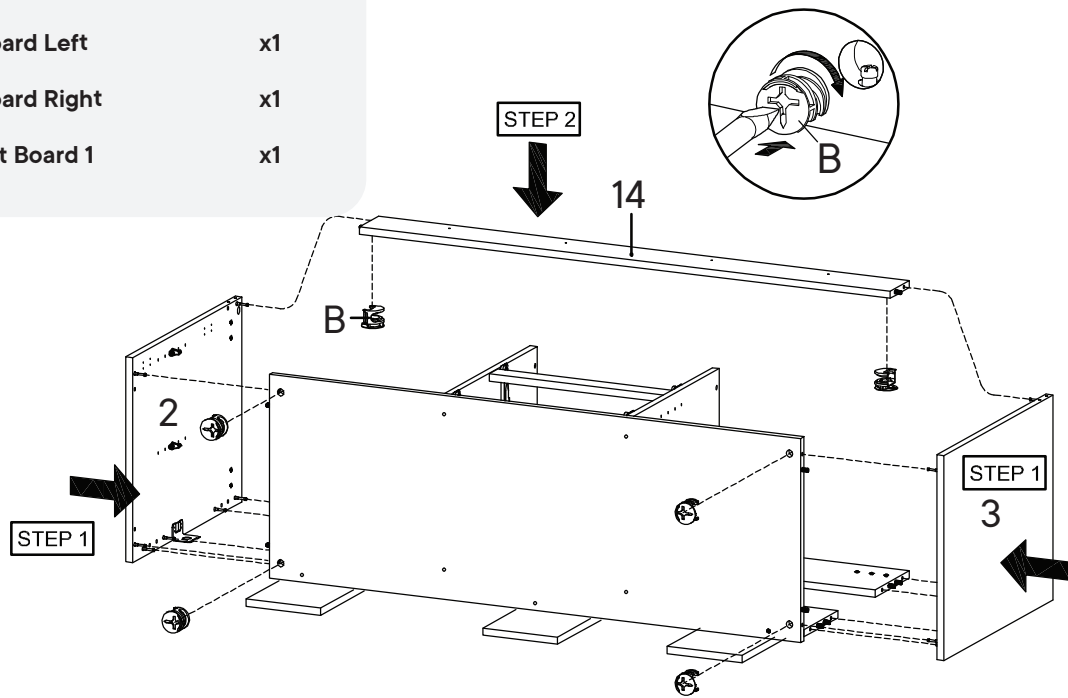
B Cam Lock Ø15 mm x6

COMPONENTS

2 Side Board Left x1

3 Side Board Right x1

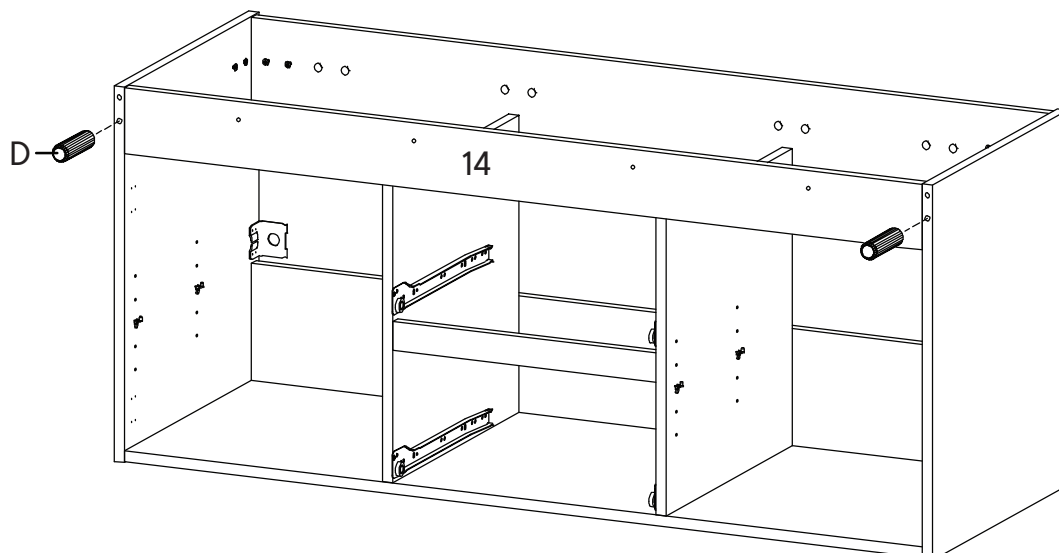
14 Support Board 1 x1



Step 12

HARDWARE

D Wood Dowel Ø8 x 30 mm x2



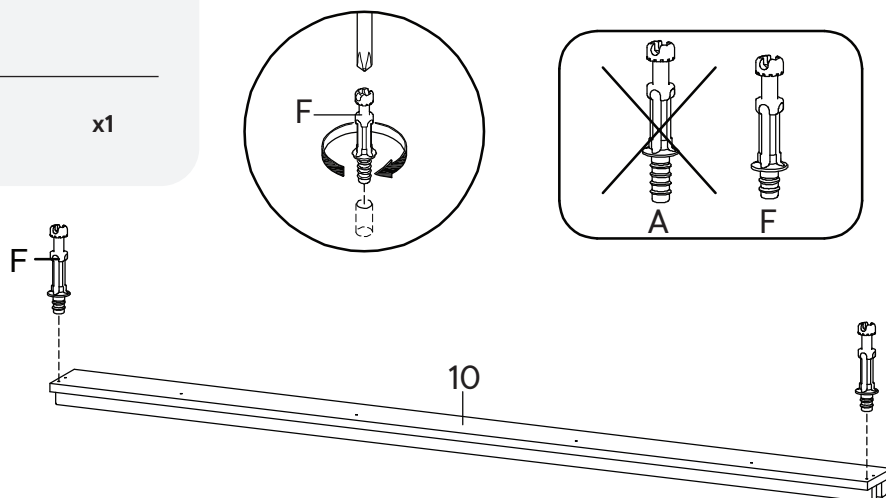
Step 13

HARDWARE

F Cam Bolt $\varnothing 6 \times 32$ mm x2

COMPONENTS

10 Front Skirt x1



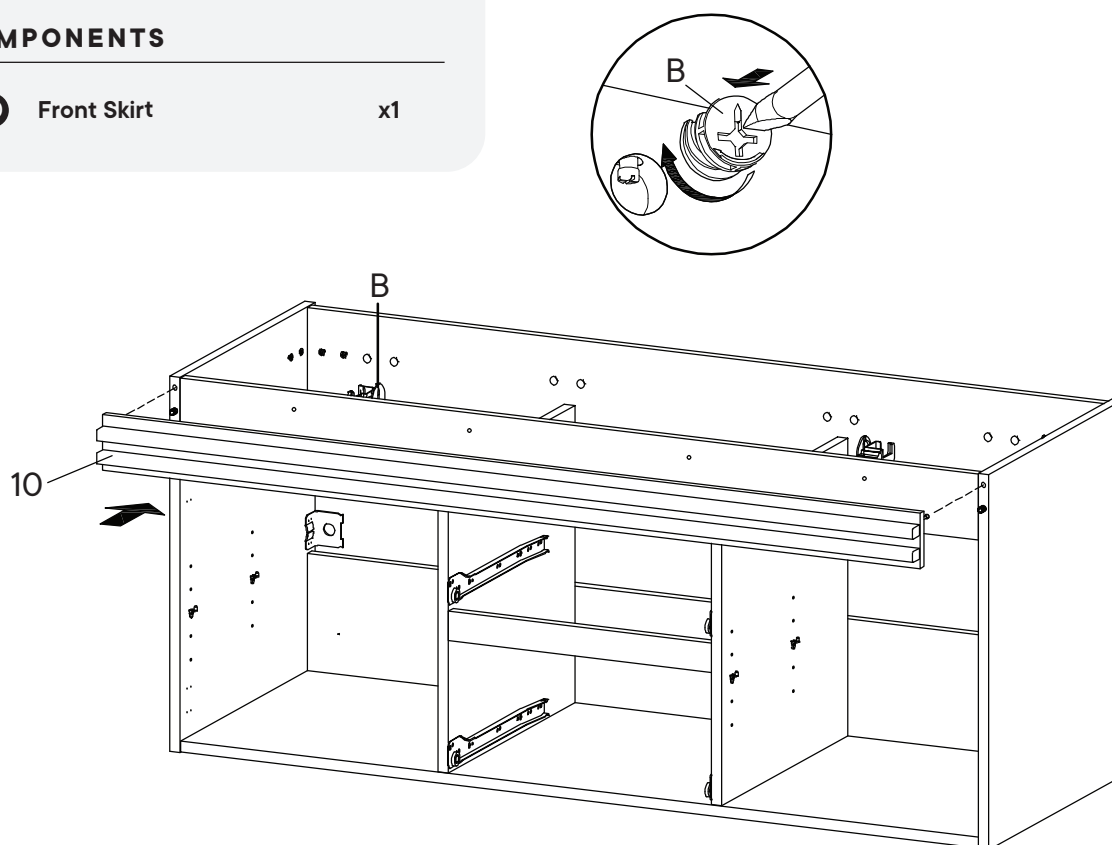
Step 14

HARDWARE

B Cam Lock $\varnothing 15$ mm x2

COMPONENTS

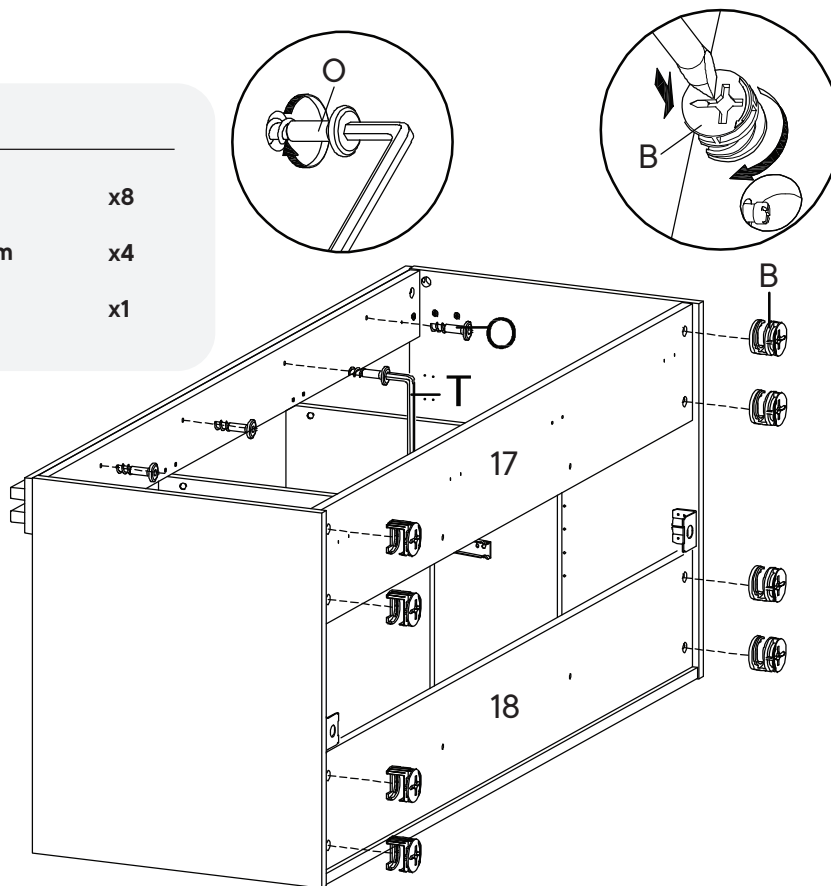
10 Front Skirt x1



Step 15

HARDWARE

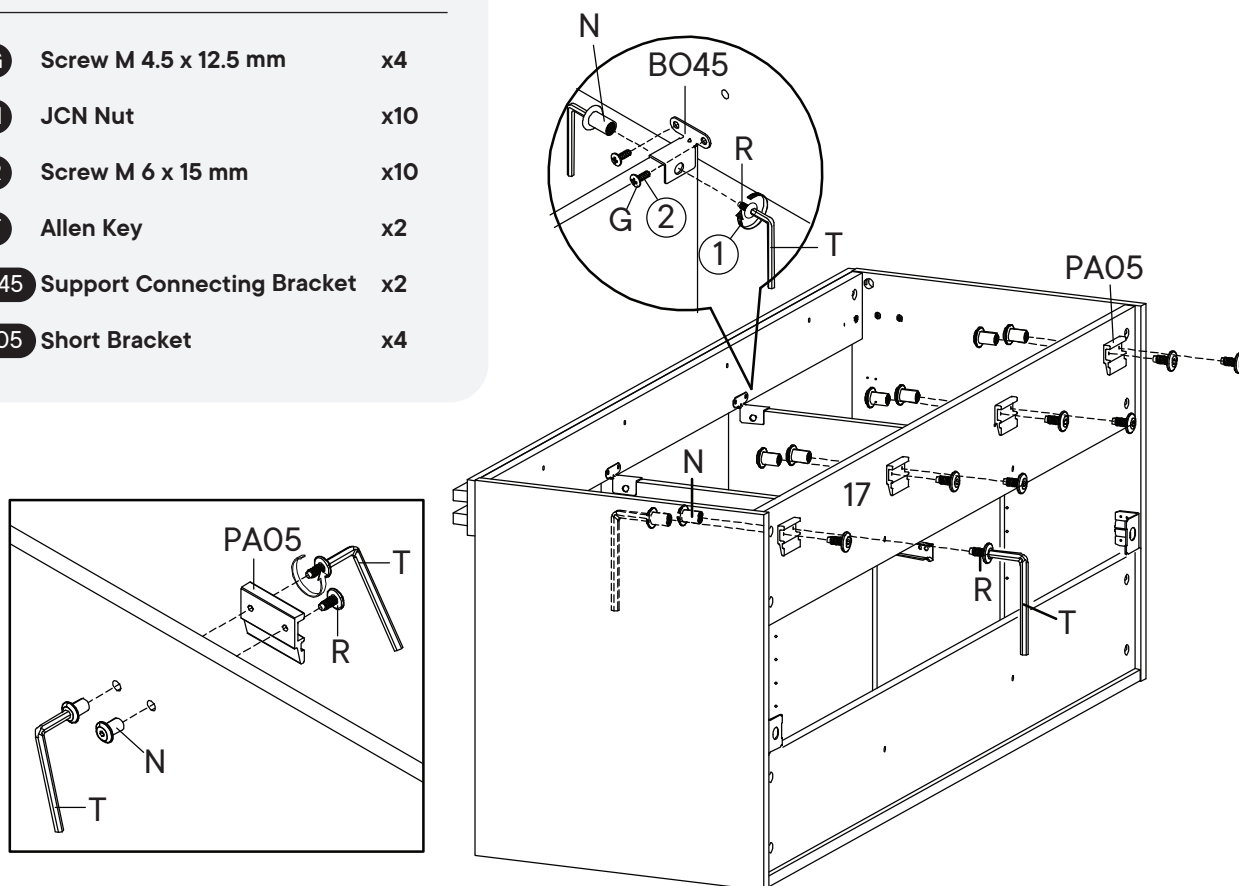
- B** Cam Lock Ø15 mm x8
- O** Screw M 6.4 x 12.5 mm x4
- T** Allen Key x1



Step 16

HARDWARE

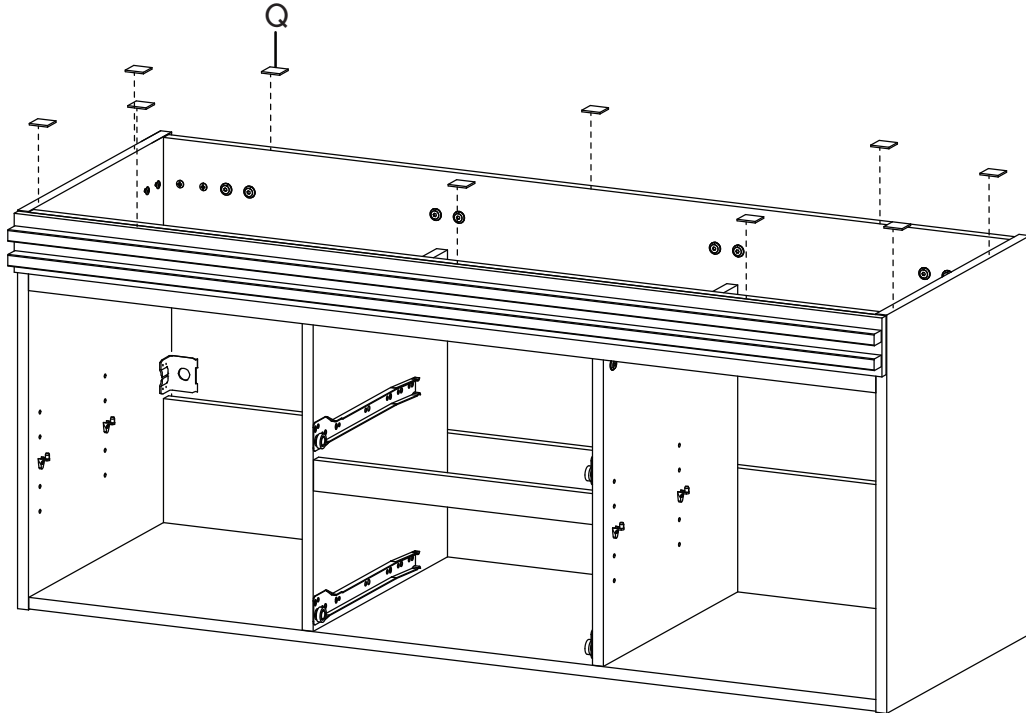
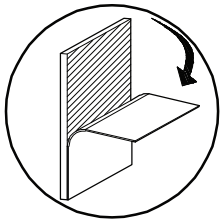
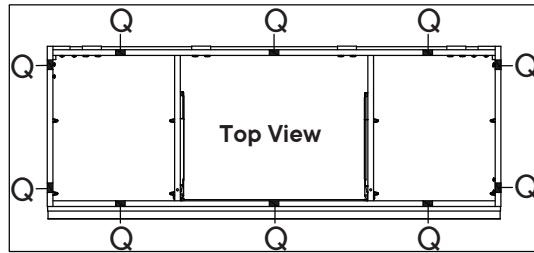
- G** Screw M 4.5 x 12.5 mm x4
- N** JCN Nut x10
- R** Screw M 6 x 15 mm x10
- T** Allen Key x2
- BO45** Support Connecting Bracket x2
- PA05** Short Bracket x4



Step 17

HARDWARE

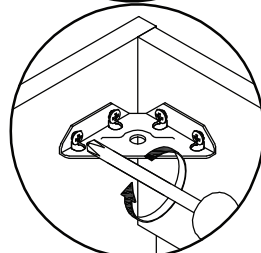
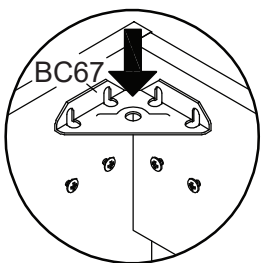
Q Foam / Rubber Pad x10



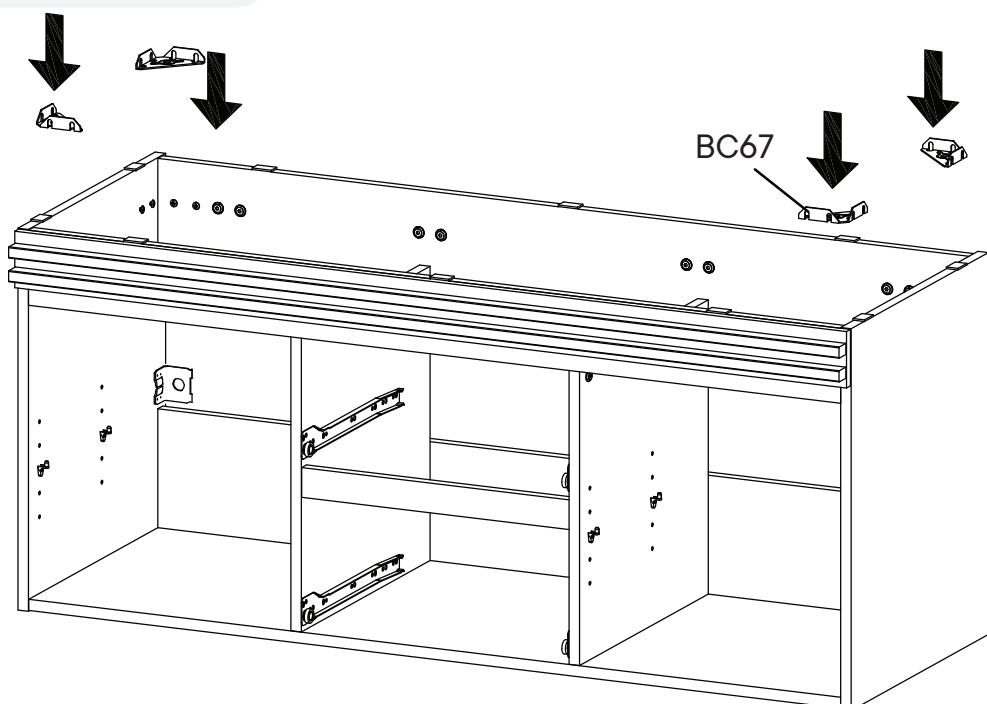
Step 18

HARDWARE

BC67 Bracket x4



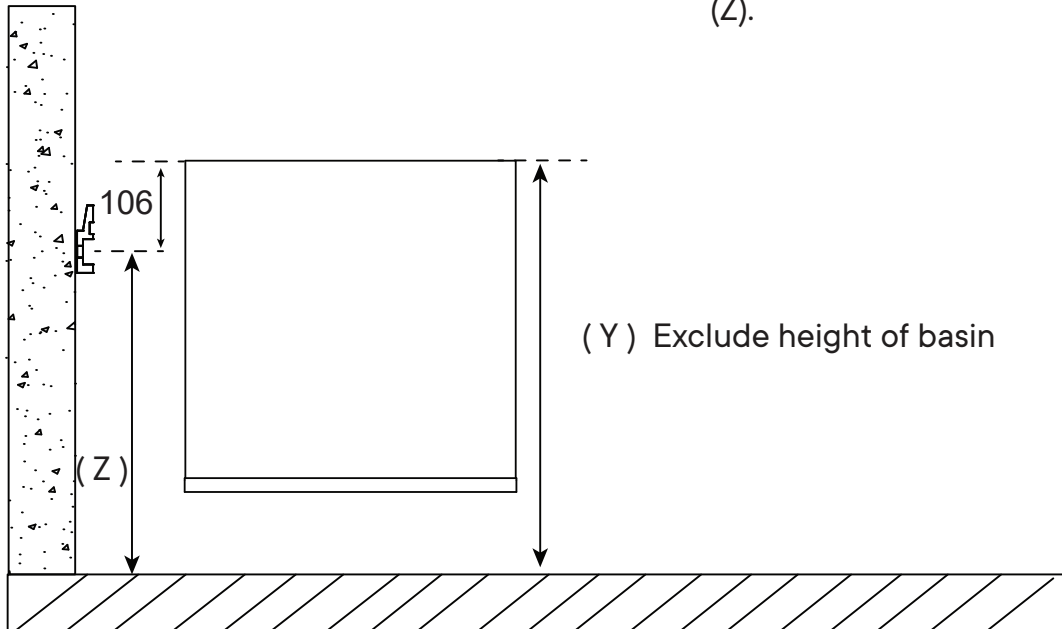
NOTE :
Tighten all the screw



Step 19

Determine your desired height (Y), then subtract by 106 mm.

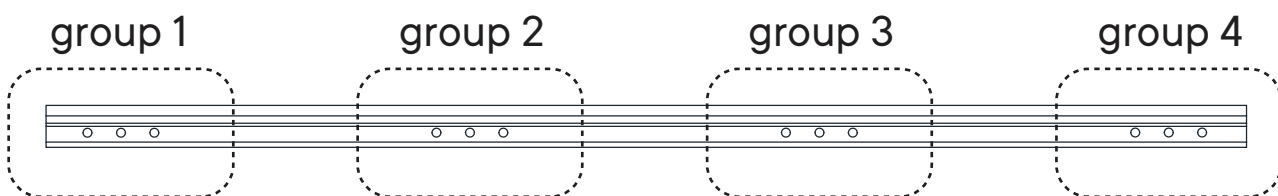
This is the drill holes height from the floor (Z).



Step 20

Please use minimum 2 holes on on group 1 & 4, and minimum 1 holes on group 2 & 3, to apply the wall plug and screw. Use additional holes when necessary.

* Long Bracket



Different wall materials require unique wall fasteners.

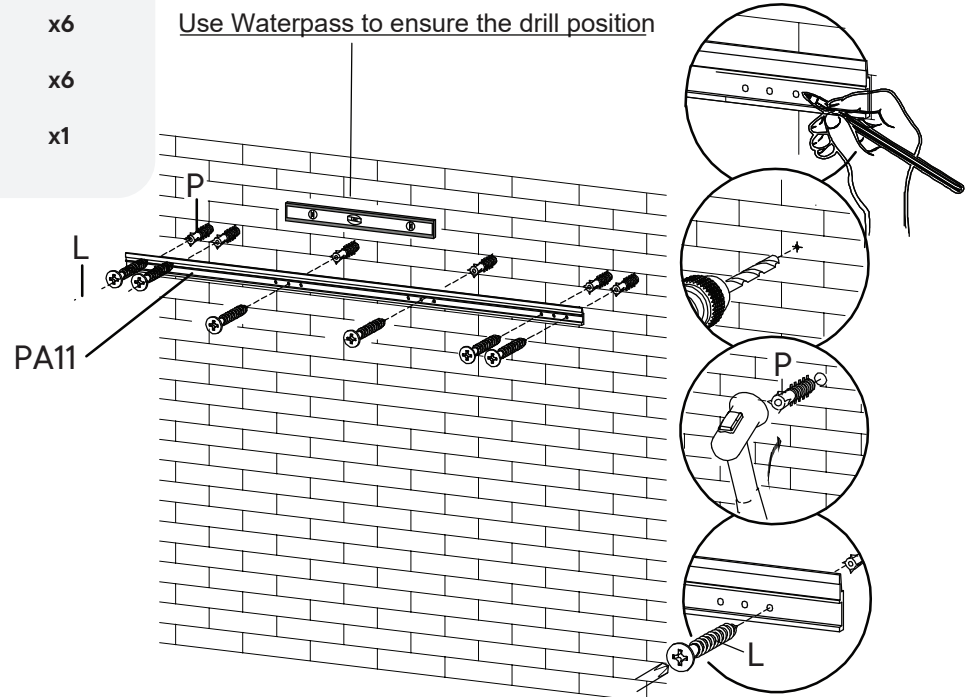
The wall plugs (P) and screws (L) are designed for fixing to concrete walls only.

Please consult your local hardware store to ensure you are using the correct hardware for your wall type.

Step 21

HARDWARE

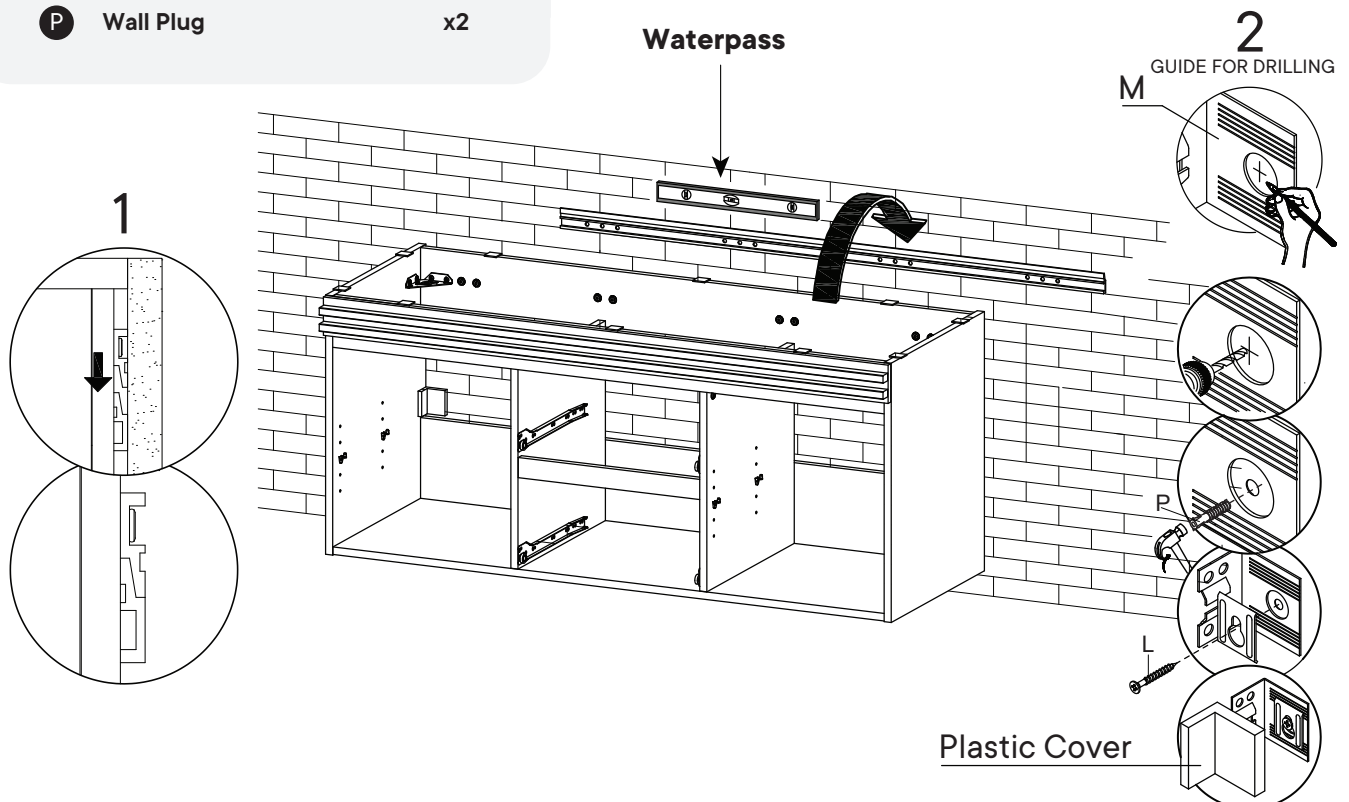
- L** Screw 5.5 x 45 mm x6
- P** Wall Plug x6
- PA11** Long Bracket x1



Step 22

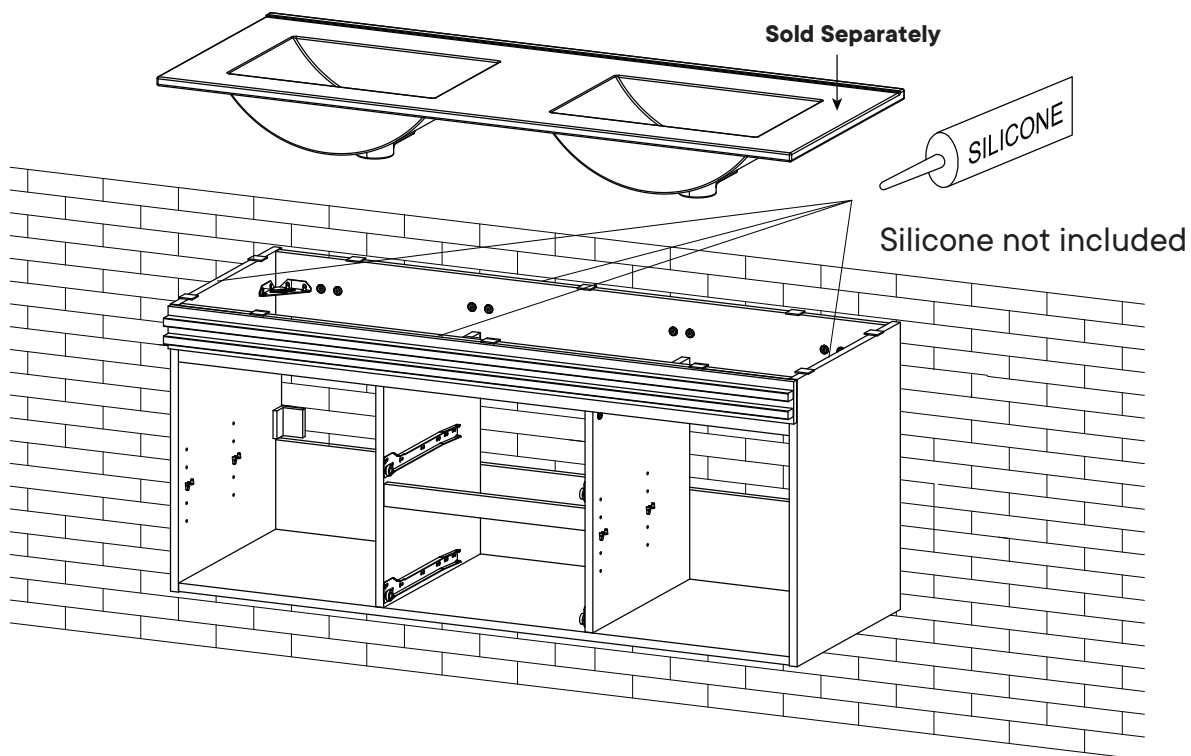
HARDWARE

- L** Screw 5.5 x 45 mm x2
- P** Wall Plug x2



Step 23

Apply a thin bead of silicone compound around the vanity base and set the vanity top carefully in place. Remove any excess silicone compound with a wet rag



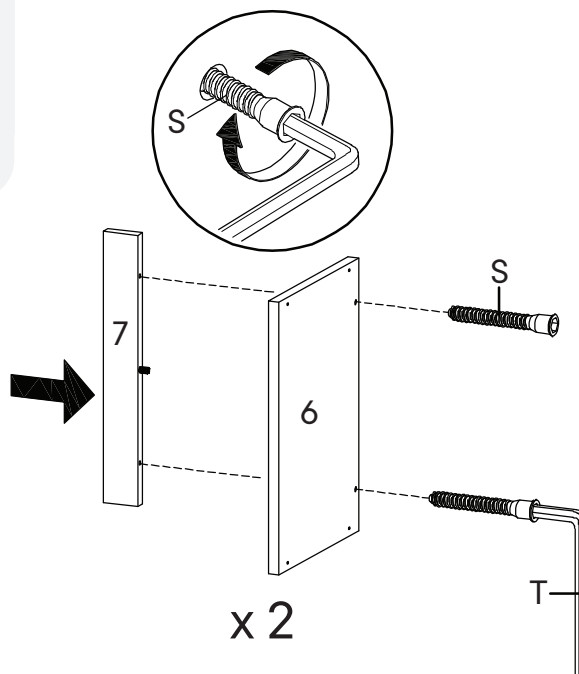
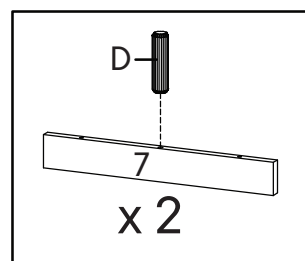
Step 24

HARDWARE

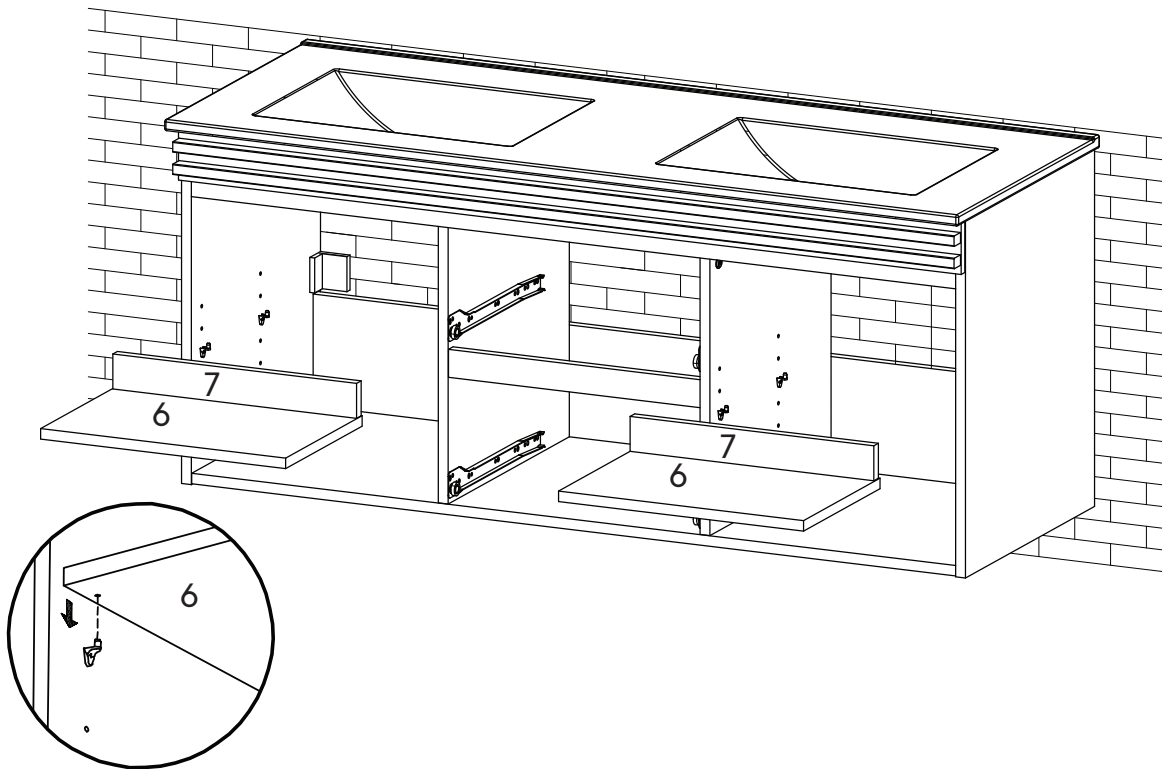
D	Wood Dowel Ø8 x 30 mm	x2
S	Screw M 7 x 50 mm	x4
T	Allen Key	x1

COMPONENTS

6	Adjustable Shelf	x2
7	Support Adjustable Shelf	x2



Step 25



Step 26

HARDWARE

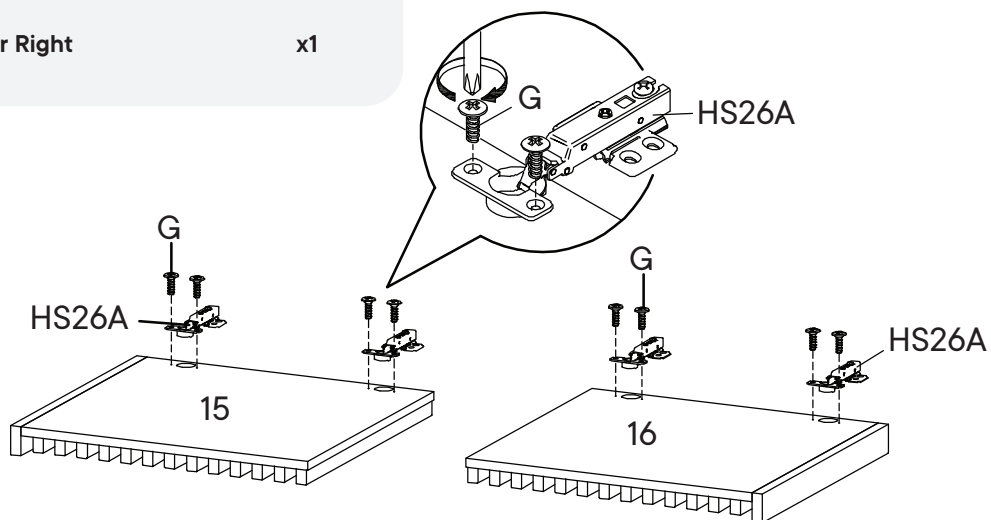
G Screw M 4.5 x 12.5 mm x8

HS26A Hinge x4

COMPONENTS

15 Door Left x1

16 Door Right x1



Step 27

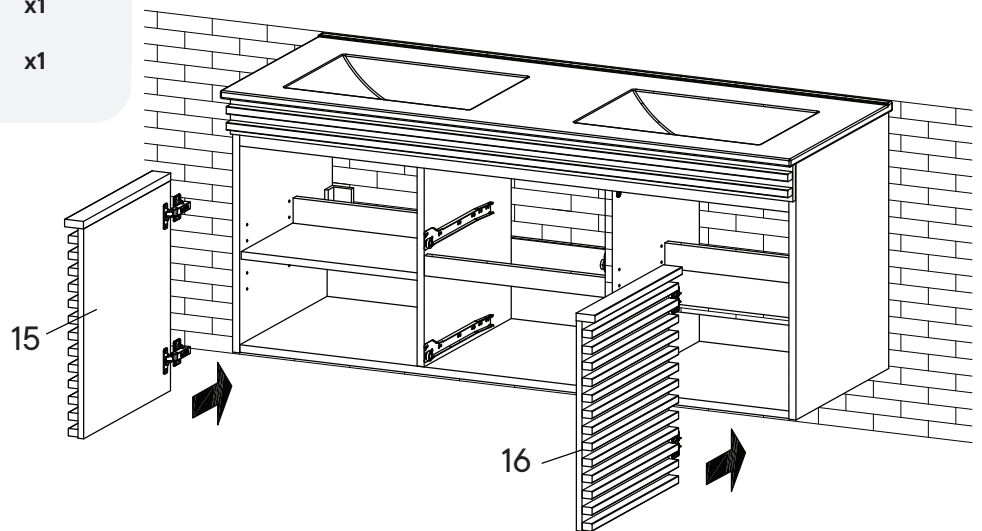
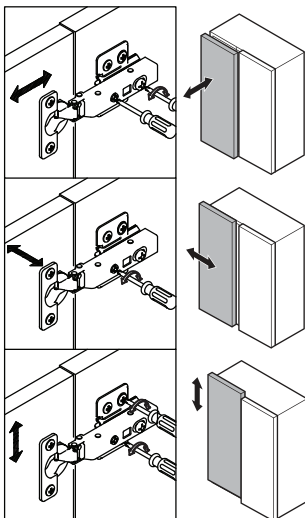
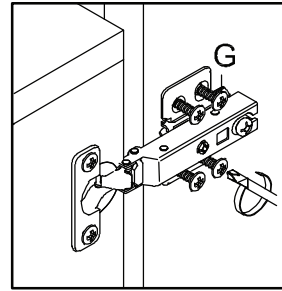
HARDWARE

G Screw M 4.5 x 12.5 mm x16

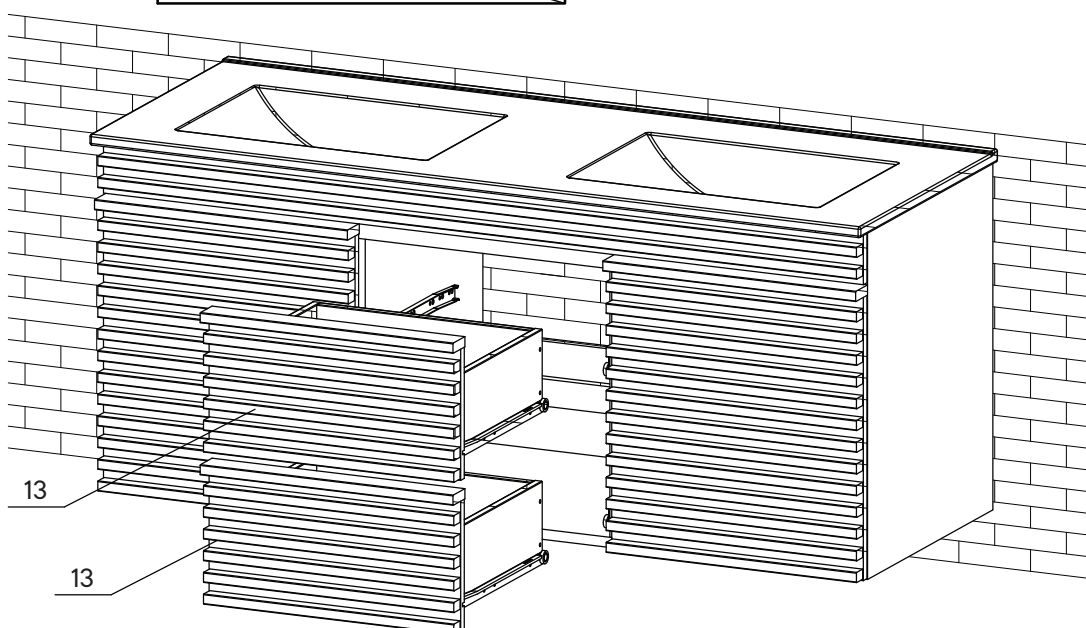
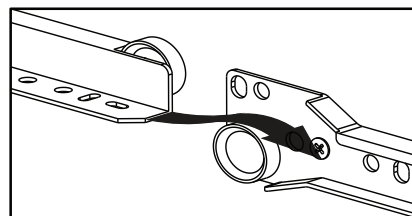
COMPONENTS

15 Door Left x1

16 Door Right x1



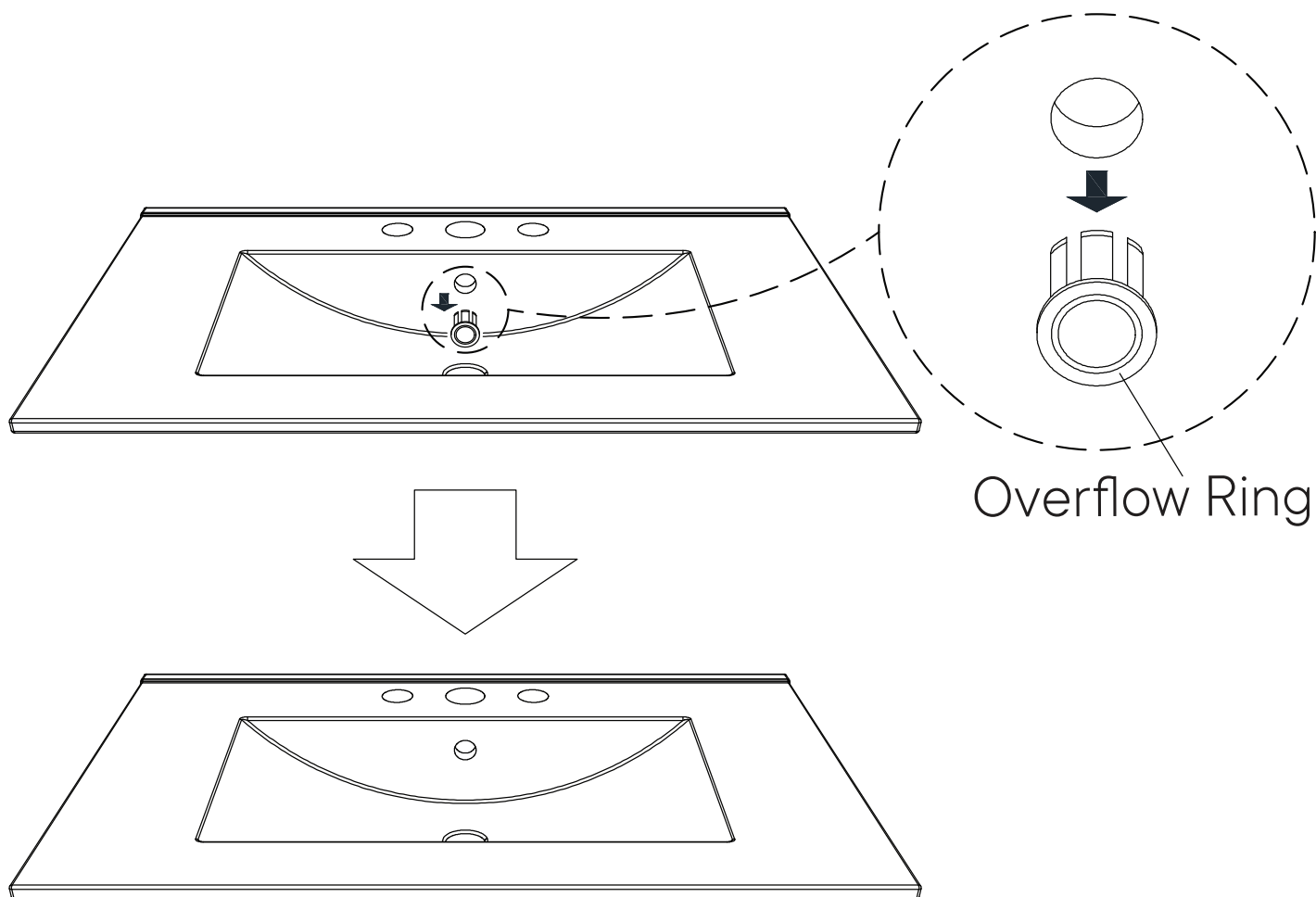
Step 28



A quick note...

*modway

Your sink basin comes complete with a silver overflow ring.
If you'd like to remove this overflow ring, you can do so by hand.



Wait!

Missing parts or hardware? Need assistance?

Contact us before returning your item. We're here to help!

609.256.9000 • cs@modway.com

Great job!

Cabinet assembly is complete.

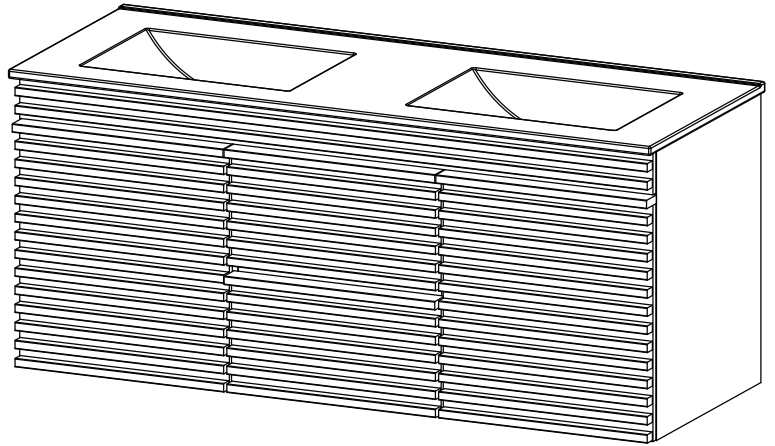
♥ CARING FOR YOUR ITEM

Indoor use only.

Not contract grade.

Clean using a non-abrasive cloth and a mild cleaner.

Never use harsh chemicals, as they could damage the finish or integrity of the item.



CONNECT WITH US!   

Tag us [@modway_furniture](#) and [#modway](#) for a chance to be featured.