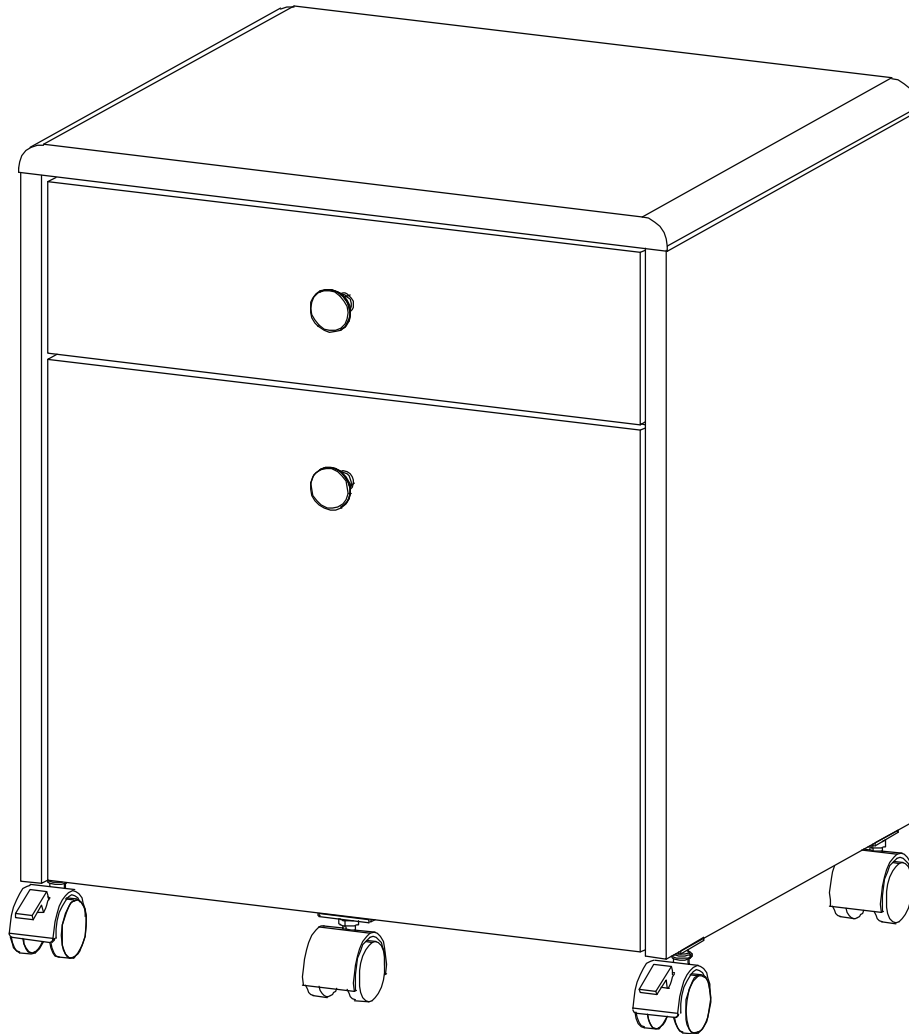


# ASSEMBLY INSTRUCTIONS

# EEI-5705

V0.08.05.21



**Questions? Contact us!**

609.256.9000 • [cs@modway.com](mailto:cs@modway.com)  
[www.modway.com](http://www.modway.com)

**\*modway**

# Let's get started!

\*modway



Read through all of the instructions before starting



Care instructions are listed in the last step of this manual



Approx. 90 minutes assembly time



Make sure you have all parts and components before discarding any packing materials



2 people recommended for assembly

**Only use hand tools to assemble this item.** Do not use power tools. Do not tighten bolts or screws completely until all hardware is lined up and inserted into the holes.

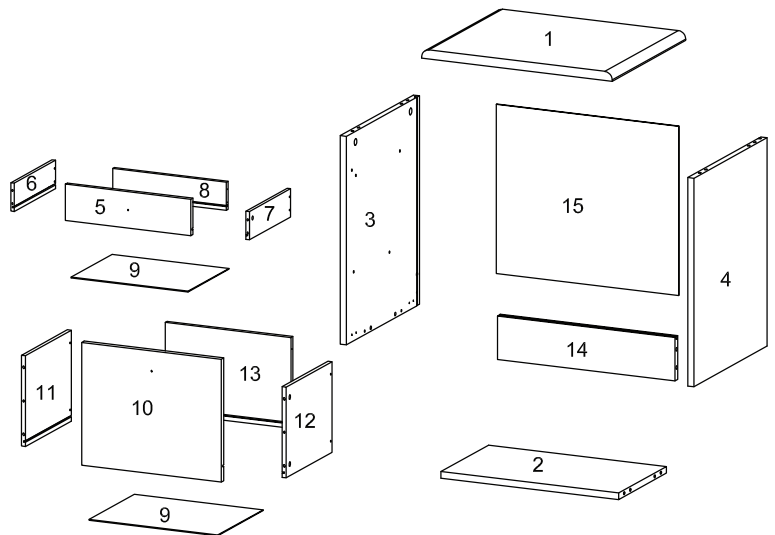
Do not over-tighten screws and bolts to avoid stripping the hardware or cracking the item.

Assemble your item on a flat, carpeted area, with plenty of space to work. This will prevent damage and scratches to your floors or the item while you're assembling the product.

Keep all components and packaging out of reach of children or animals to avoid risk of choking or suffocation.

## Furniture components:

1	Top Board	x1	11	Side Drawer Left Big	x1
2	Bottom Board	x1	12	Side Drawer Right Big	x1
3	Side Board Left	x1	13	Back Drawer Big	x1
4	Side Board Right	x1	14	Back Skirt	x1
5	Front Drawer Small	x1	15	Back Board	x1
6	Side Drawer Left Small	x1			
7	Side Drawer Right Small	x1			
8	Back Drawer Small	x1			
9	Bottom Drawer	x2			
10	Front Drawer Big	x1			



## Provided hardware:

A		Cam Bolt $\varnothing 6 \times 35$ mm	x16	J		Screw M 3.5 x 13 mm	x16
B		Cam Lock $\varnothing 15$ mm	x10	K		Handle	x2
C		Cam Lock $\varnothing 12$ mm	x6	L		Screw M 4 x 22 mm	x2
D		Wood Dowel $\varnothing 8 \times 30$ mm	x10	M		File Hang Rail	x2
E		Wood Dowel $\varnothing 6 \times 30$ mm	x4	N		Castor With Stopper	x2
F		Screw M 3.5 x 15.5 mm	x14	O		Castor	x3
G		Wedge	x14	RM30A		Drawer Runner	x1
H		Screw M 6 x 10.5 mm	x14	RB24A		Drawer Runner	x1
I		Screw M 8 x 39 mm	x8				

## What you need:

Phillips Head Screwdriver

Wait!

Missing parts or hardware? Need assistance?  
Contact us before returning your item. We're here to help!  
609.256.9000 • cs@modway.com

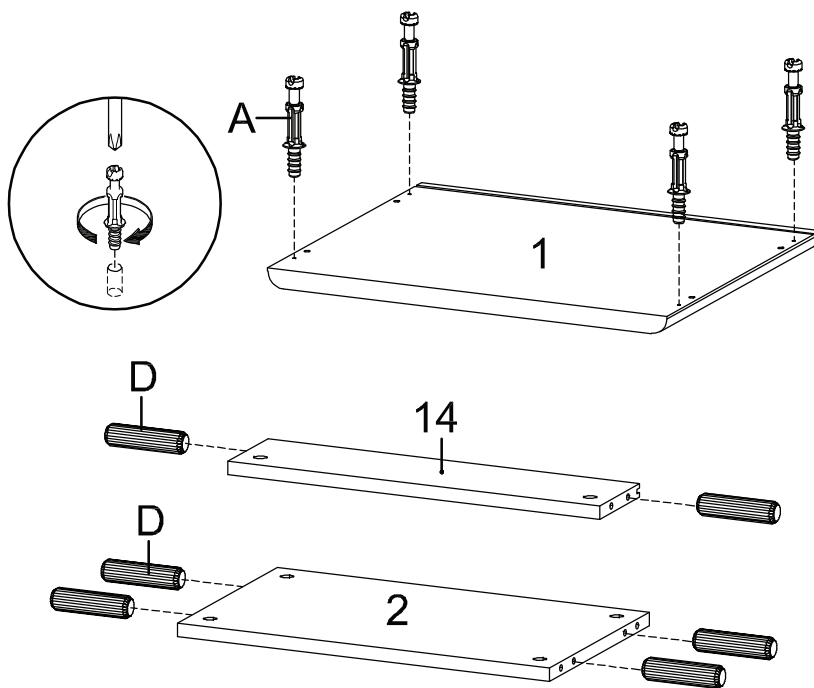
# Step 1

## HARDWARE

- A** Cam Bolt Ø6 x 35 mm x4
- D** Wood Dowel Ø8x30 mm x6

## COMPONENTS

- 1** Top Board x1
- 2** Bottom Board x1
- 14** Back Skirt x1



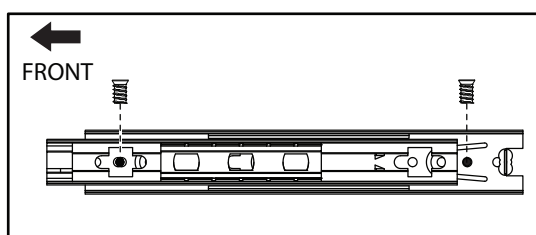
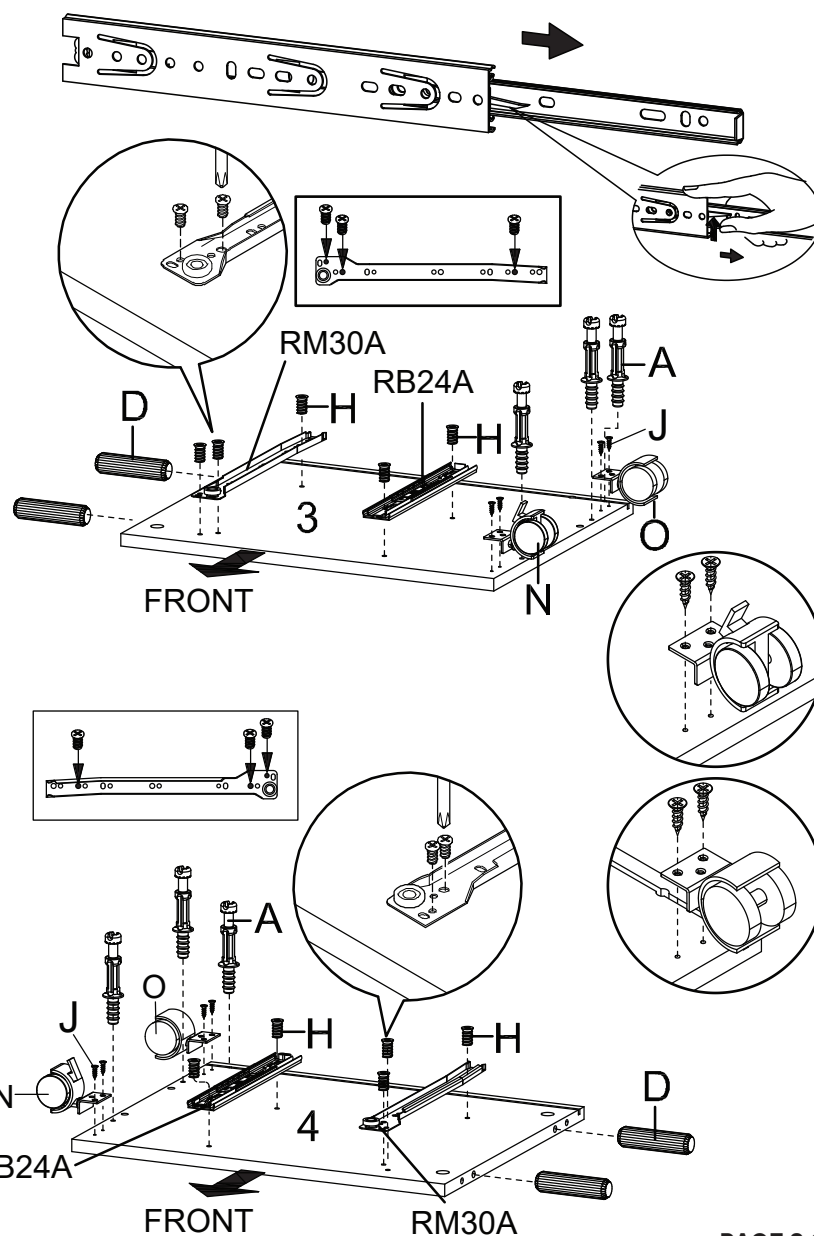
# Step 2

## HARDWARE

- A** Cam Bolt Ø6 x 35 mm x6
- D** Wood Dowel Ø8x30 mm x4
- H** Screw M 6 x 10.5 mm x10
- J** Screw M 3.5 x 13 mm x8
- N** Castor With Stopper x2
- O** Castor x2
- RM30A** Drawer Runner x1
- RB24A** Drawer Runner x1

## COMPONENTS

- 3** Side Board Left x1
- 4** Side Board Right x1



## Step 3

### HARDWARE

**B** Cam Lock Ø15 mm x6

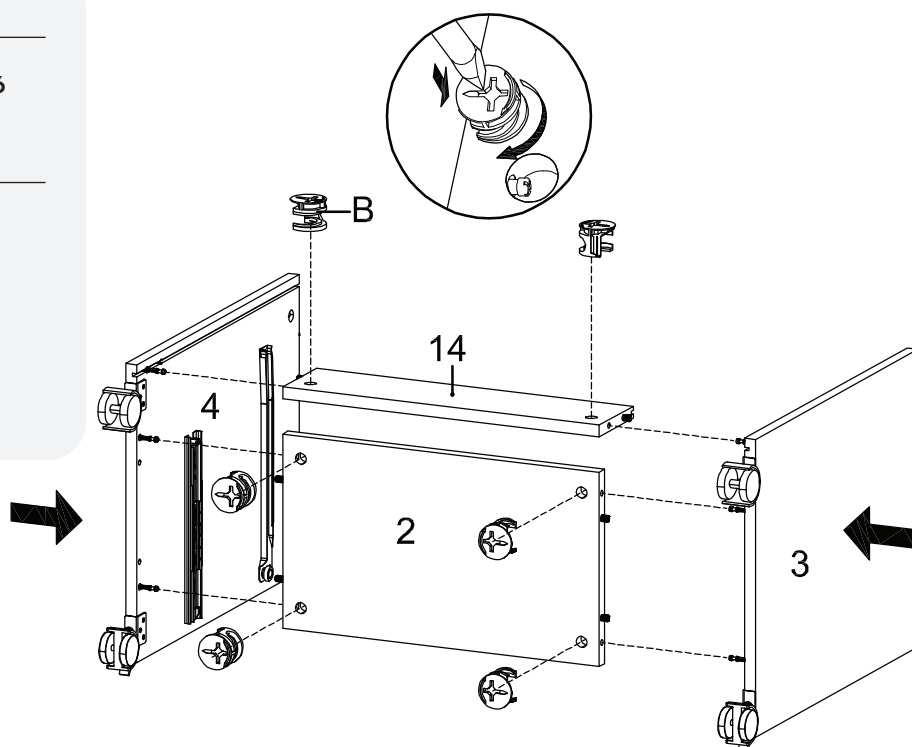
### COMPONENTS

**2** Bottom Board x1

**3** Side Board Left x1

**4** Side Board Right x1

**14** Back Skirt x1



## Step 4

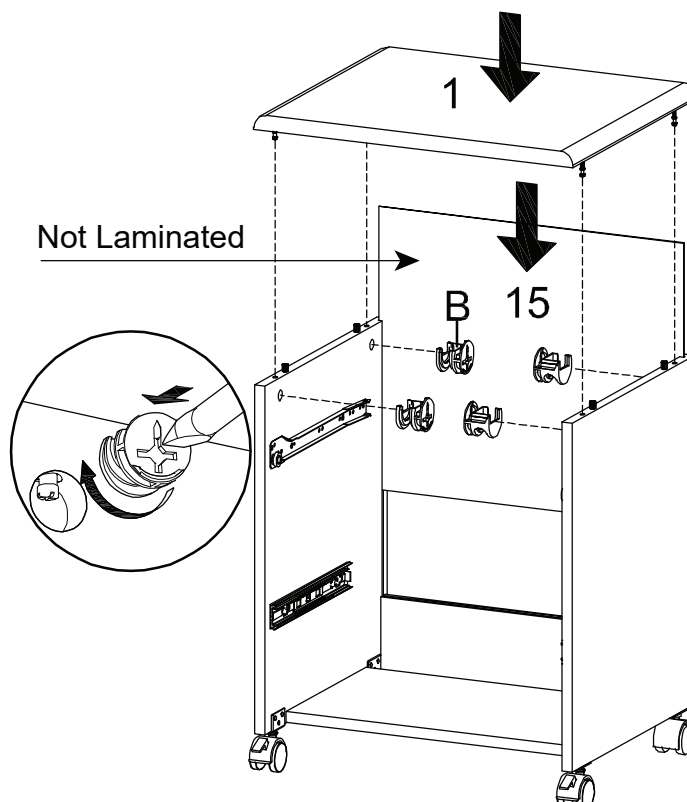
### HARDWARE

**B** Cam Lock Ø15 mm x4

### COMPONENTS

**1** Top Board x1

**15** Back Board x1



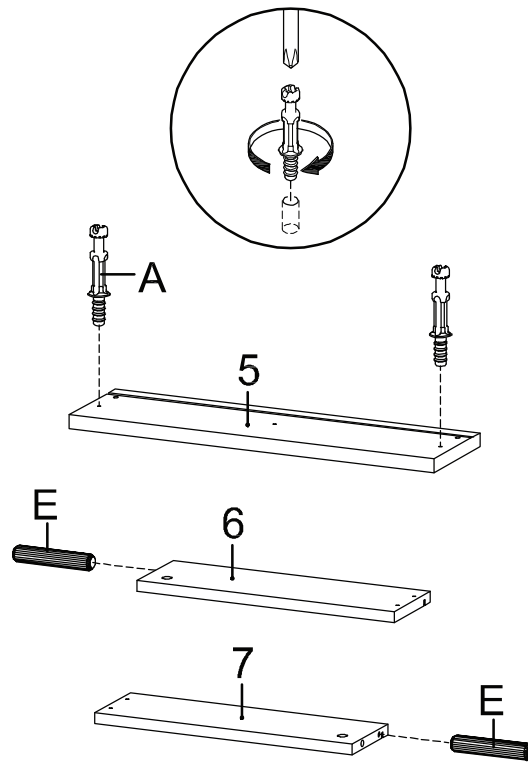
# Step 5

## HARDWARE

- A** Cam Bolt  $\varnothing 6 \times 35$  mm x2
- E** Wood Dowel  $\varnothing 6 \times 30$  mm x2

## COMPONENTS

- 5** Front Drawer Small x1
- 6** Side Drawer Left Small x1
- 7** Side Drawer Right Small x1



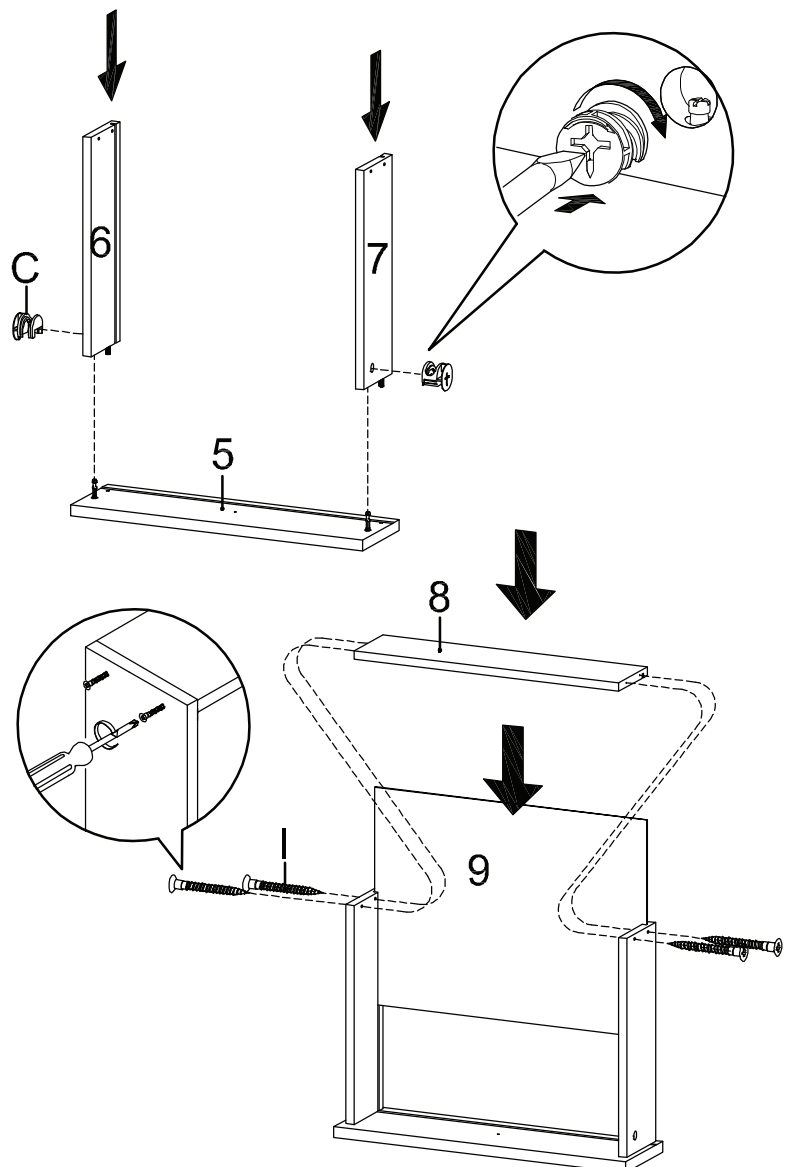
# Step 6

## HARDWARE

- C** Cam Lock  $\varnothing 12$  mm x2
- I** Screw M 8 x 39 mm x4

## COMPONENTS

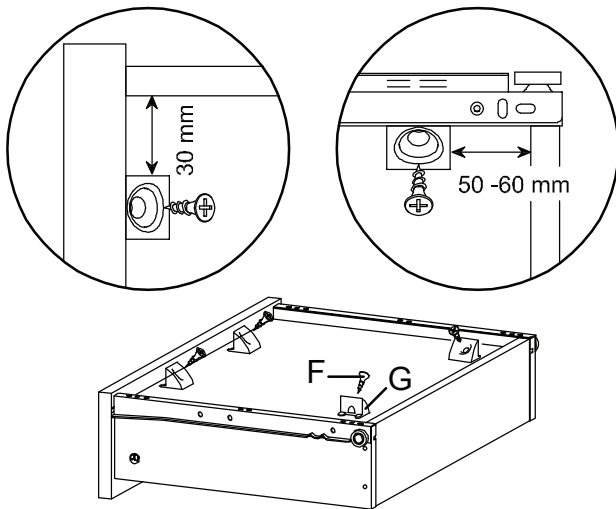
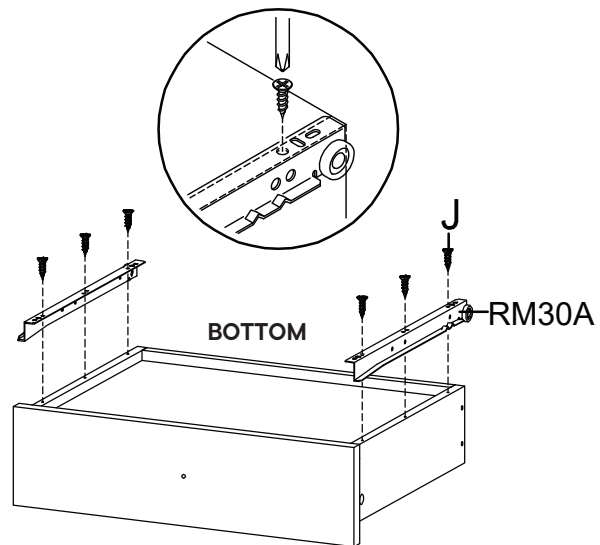
- 5** Front Drawer Small x1
- 6** Side Drawer Left Small x1
- 7** Side Drawer Right Small x1
- 8** Back Drawer Small x1
- 9** Bottom Drawer x1



# Step 7

## HARDWARE

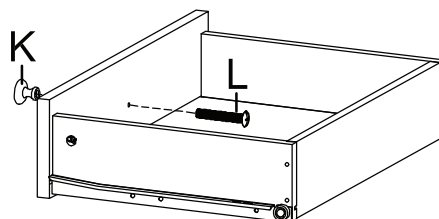
- F** Screw M 3.5 x 15.5 mm x4
- G** Wedge x4
- J** Screw M 3.5 x 13 mm x6
- RM30A** Drawer Runner x1



# Step 8

## HARDWARE

- K** Handle x1
- L** Screw M 4 x 22 mm x1



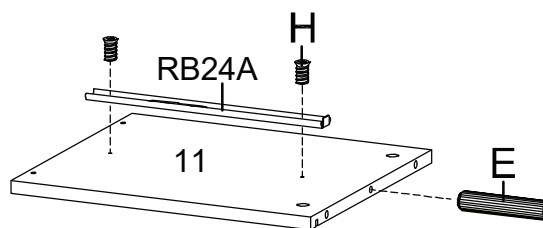
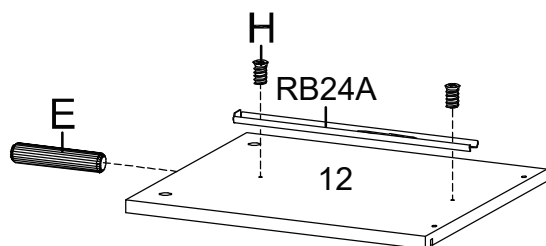
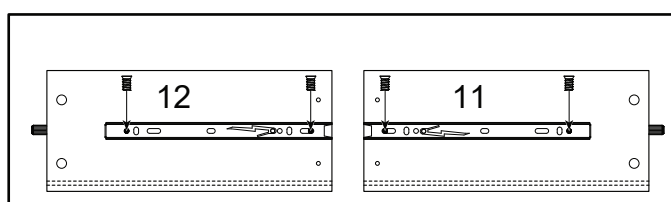
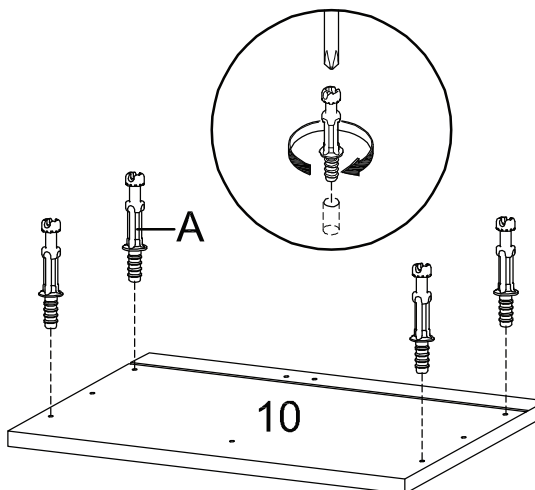
# Step 9

## HARDWARE

- A** Cam Bolt Ø6 x 35 mm x4
- E** Wood Dowel Ø6x30 mm x2
- H** Screw M 6 x 10.5 mm x4
- RB24A** Drawer Runner x1

## COMPONENTS

- 10** Front Drawer Big x1
- 11** Side Drawer Left Big x1
- 12** Side Drawer Right Big x1



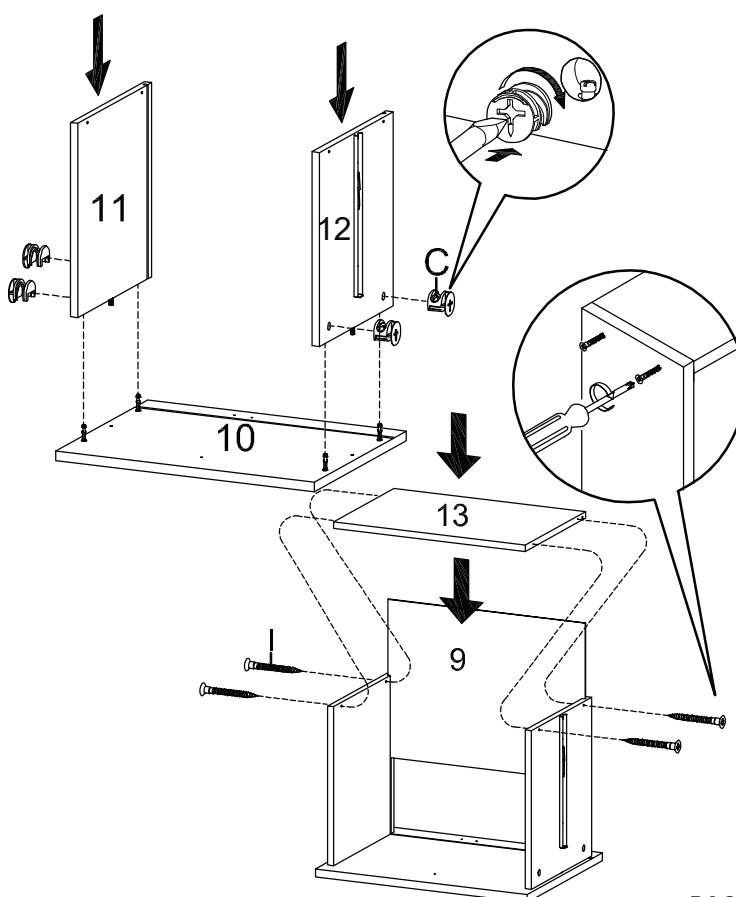
# Step 10

## HARDWARE

- C** Cam Lock Ø12 mm x4
- I** Screw M 8 x 39 mm x4

## COMPONENTS

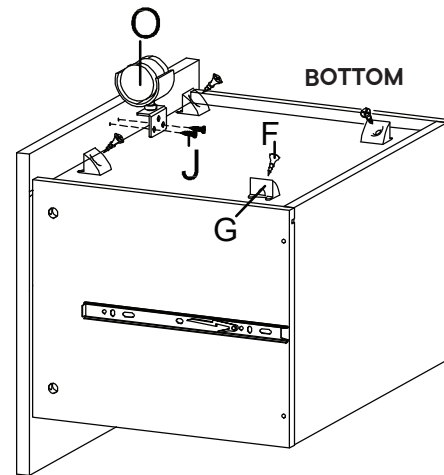
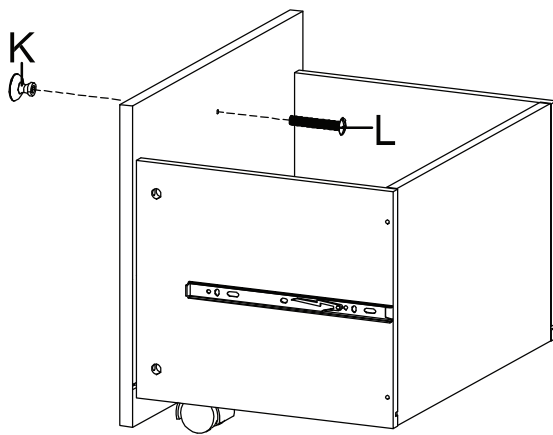
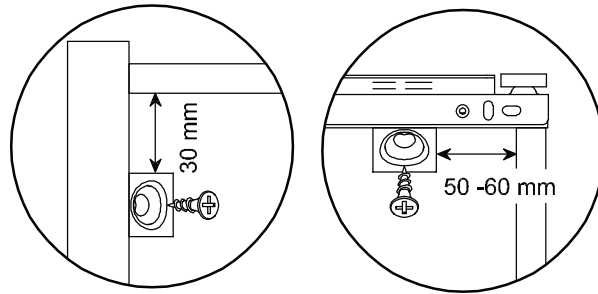
- 9** Bottom Drawer x1
- 10** Front Drawer Big x1
- 11** Side Drawer Left Big x1
- 12** Side Drawer Right Big x1
- 13** Back Drawer Big x1



# Step 11

## HARDWARE

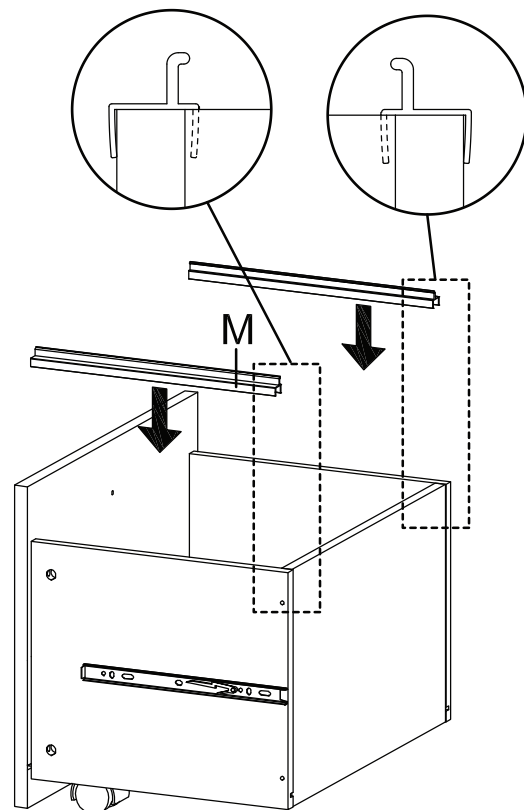
- F** Screw M 3.5 x 15 mm      x4
- G** Wedge                              x4
- J** Screw M 3.5 x 13 mm      x2
- K** Handle                              x1
- L** Screw M 4 x 22 mm          x1
- O** Castor                              x1



# Step 12

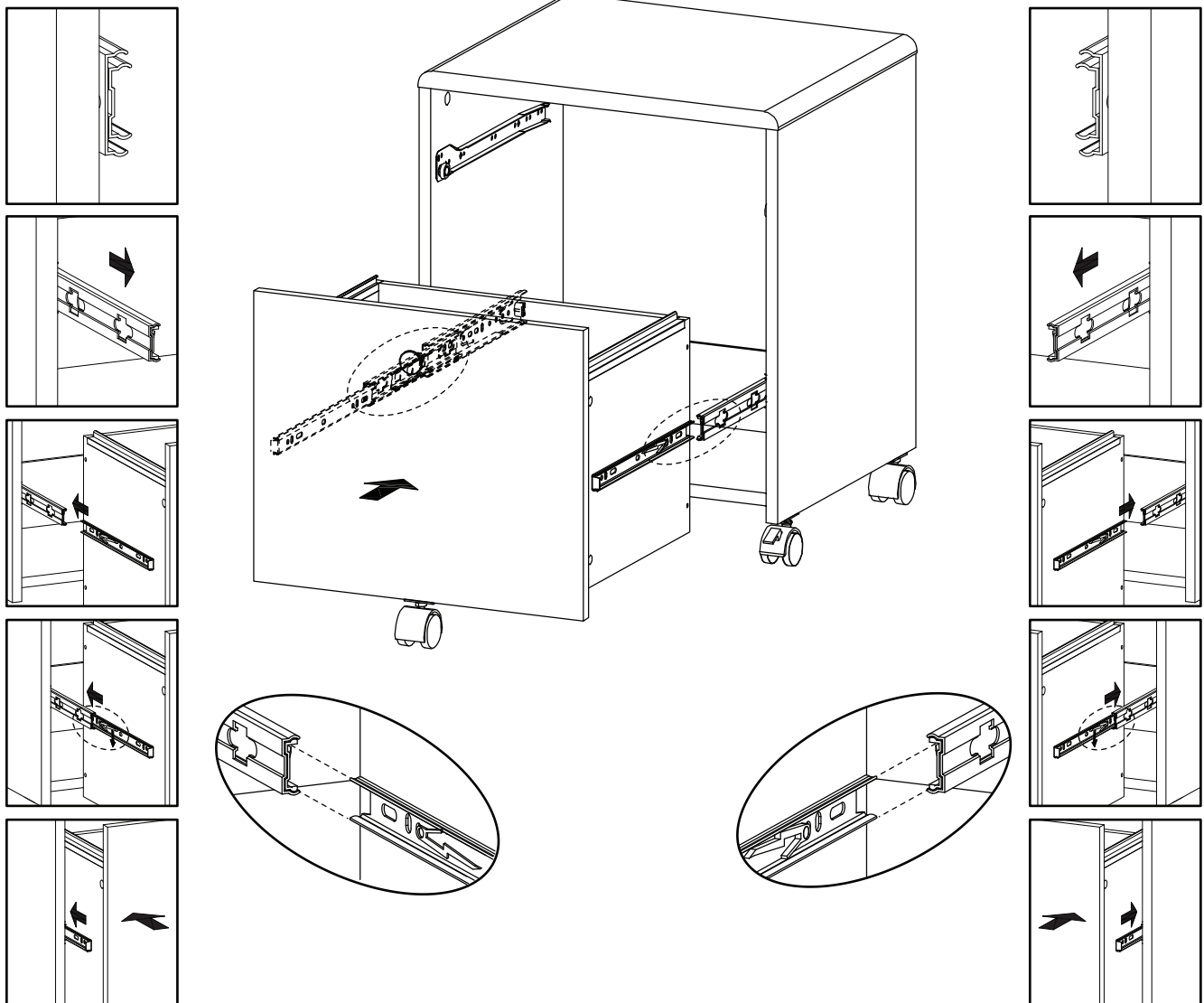
## HARDWARE

- M** File Hang Rail                      x2

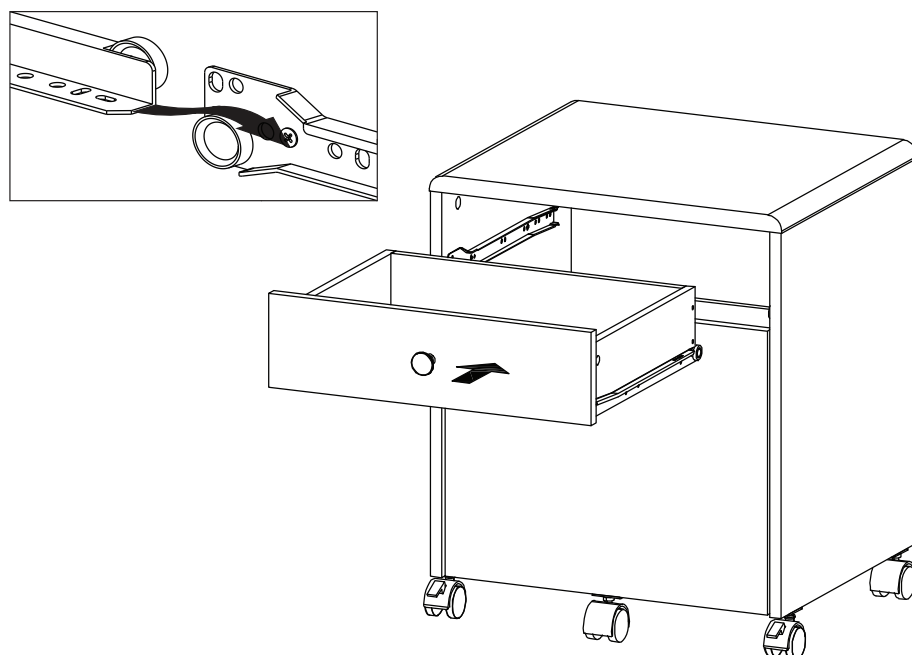




# Step 13



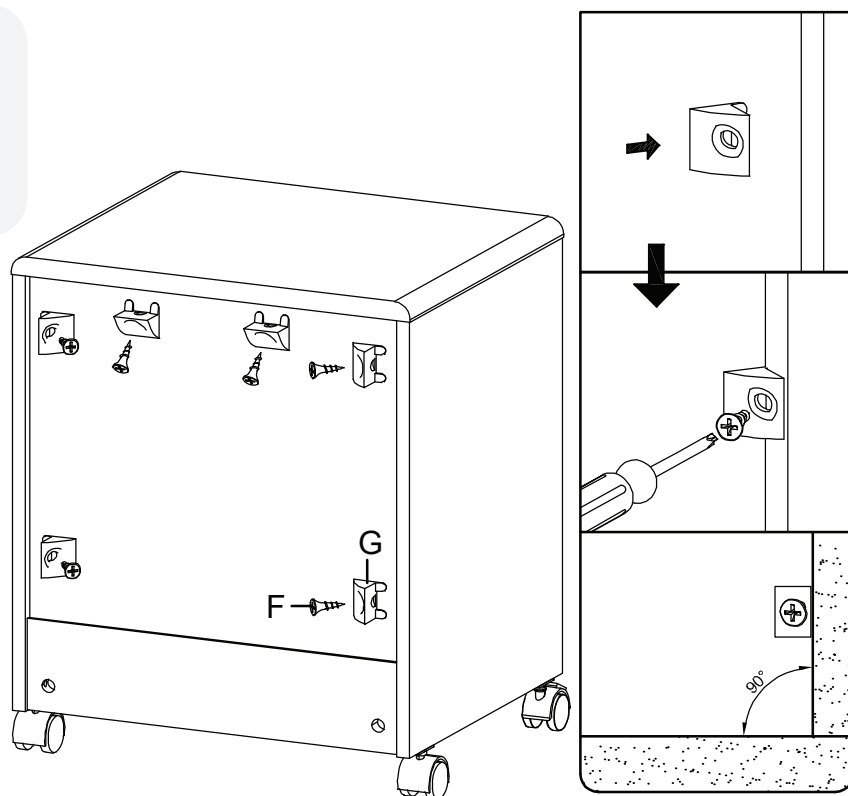
# Step 14



# Step 15

## HARDWARE

- F** Screw M 3.5 x 15.5 mm x6
- G** Wedge x6



# Great job!

Trolley assembly is complete

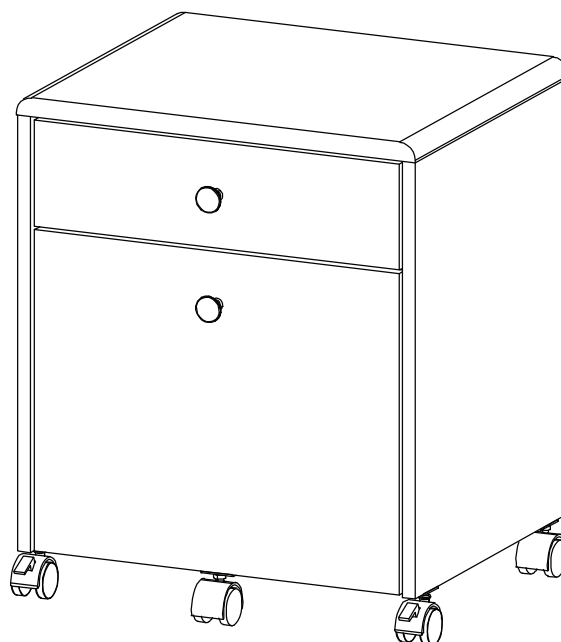
## ♥ CARING FOR YOUR ITEM

Indoor use only.

Not contract grade.

Clean using a non-abrasive cloth and a mild cleaner.

Never use harsh chemicals, as they could damage the finish or integrity of the item.



CONNECT WITH US!   

Tag us @modway\_furniture and #modway for a chance to be featured.