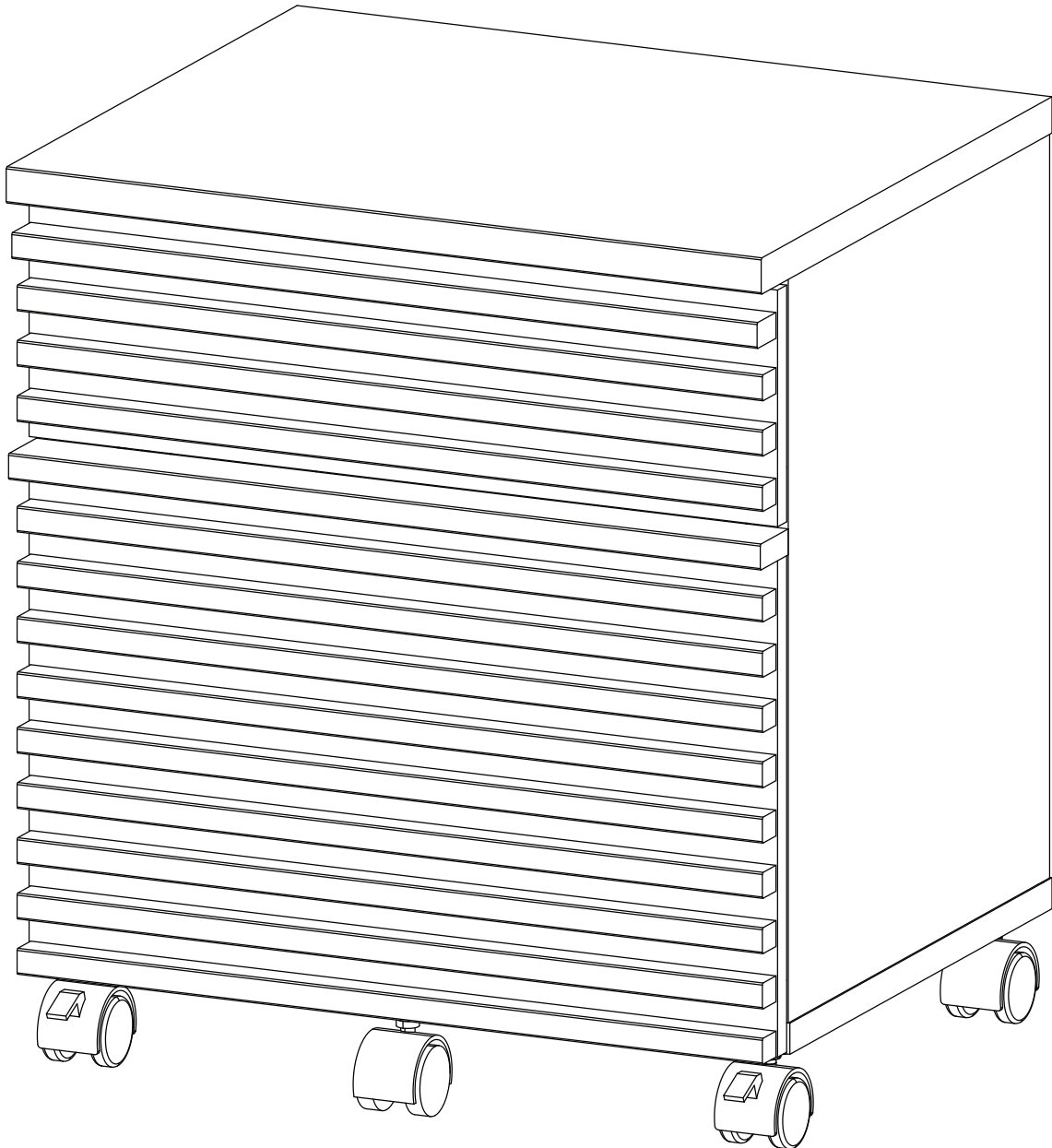


ASSEMBLY INSTRUCTIONS

EEI-5704

V0.08.04.21



Questions? Contact us!

609.256.9000 • cs@modway.com
www.modway.com

*modway

Let's get started!

*modway



Read through all of the instructions before starting



Care instructions are listed in the last step of this manual



Approx. 90 minutes assembly time



Make sure you have all parts and components before discarding any packing materials



2 people recommended for assembly

Only use hand tools to assemble this item. Do not use power tools. Do not tighten bolts or screws completely until all hardware is lined up and inserted into the holes.

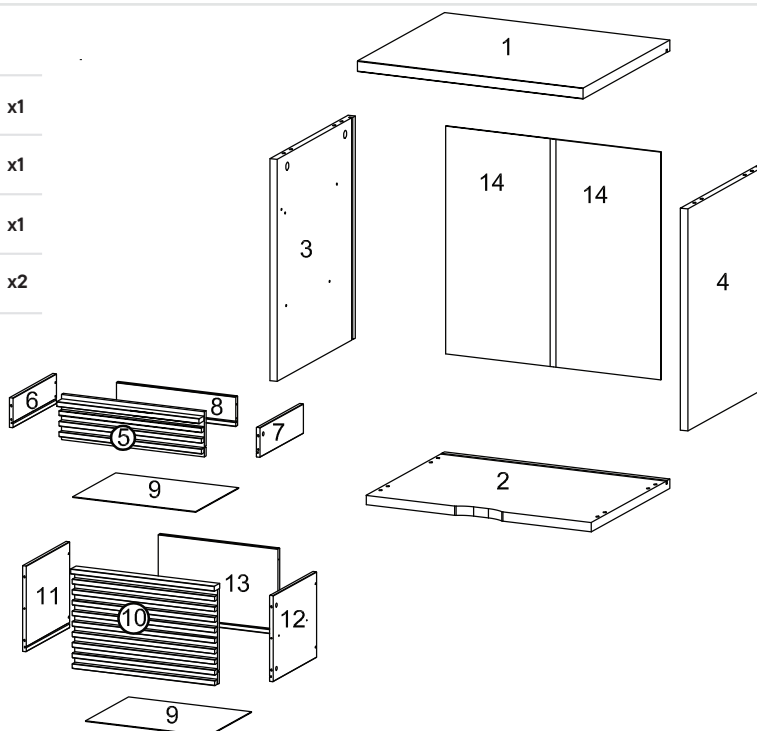
Do not over-tighten screws and bolts to avoid stripping the hardware or cracking the item.

Assemble your item on a flat, carpeted area, with plenty of space to work. This will prevent damage and scratches to your floors or the item while you're assembling the product.

Keep all components and packaging out of reach of children or animals to avoid risk of choking or suffocation.

Furniture components:

1	Top Board	x1	11	Side Drawer Left Big	x1
2	Bottom Board	x1	12	Side Drawer Right Big	x1
3	Side Board Left	x1	13	Back Drawer Big	x1
4	Side Board Right	x1	14	Back Board	x2
5	Front Drawer Small	x1			
6	Side Drawer Left Small	x1			
7	Side Drawer Right Small	x1			
8	Back Drawer Small	x1			
9	Bottom Drawer	x2			
10	Front Drawer Big	x1			



Provided hardware:

A		Cam Bolt $\varnothing 6 \times 35$ mm	x4	J		Screw M 3.5 x 13 mm	x8	S		Screw M 4 x 16 mm	x16
B		Cam Lock $\varnothing 15$ mm	x4	K		Screw M 7 x 50 mm	x4	T		Screw M 6.4 x 25 mm	x2
C		Cam Lock $\varnothing 12$ mm	x6	L		Allen Key	x1	RM30A		Drawer Runner	x1
D		Wood Dowel $\varnothing 8 \times 30$ mm	x8	M		File Hang Rail	x2	RB24A		Drawer Runner	x1
E		Wood Dowel $\varnothing 6 \times 30$ mm	x4	N		Castor With Stopper	x2				
F		Gap Cover Strip	x1	O		Castor	x2				
G		Castor With Plate	x1	P		Screw M 3.5 x 15.5 mm	x14				
H		Screw M 6 x 10.5 mm	x14	Q		Wedge	x14				
I		Screw M 8 x 39 mm	x8	R		Cam Bolt $\varnothing 6 \times 32$ mm	x6				

What you need:

Phillips Head Screwdriver

Wait!

Missing parts or hardware? Need assistance?
Contact us before returning your item. We're here to help!
609.256.9000 • cs@modway.com

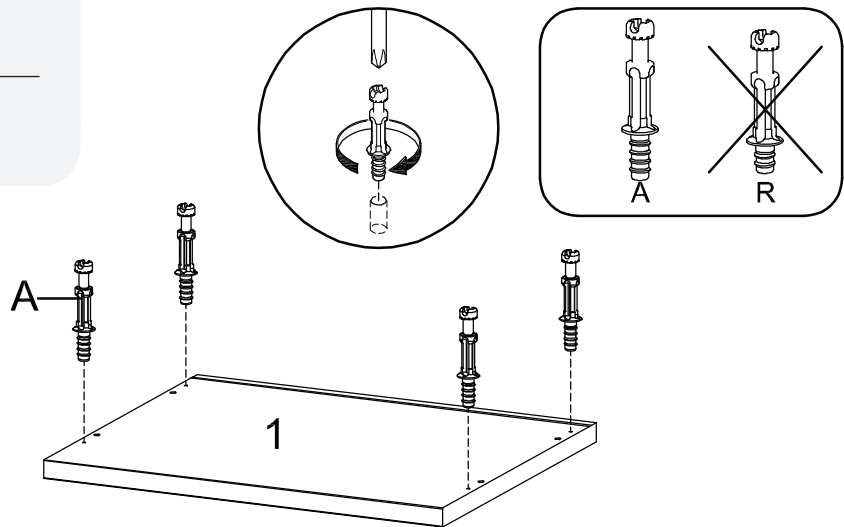
Step 1

HARDWARE

- A** Cam Bolt $\varnothing 6 \times 35$ mm x4

COMPONENTS

- 1** Top Board x1



Step 2

HARDWARE

- D** Wood Dowel $\varnothing 8 \times 30$ mm x8

- H** Screw M 6 x 10.5 mm x10

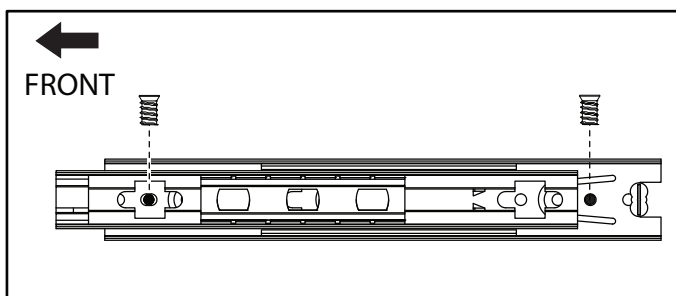
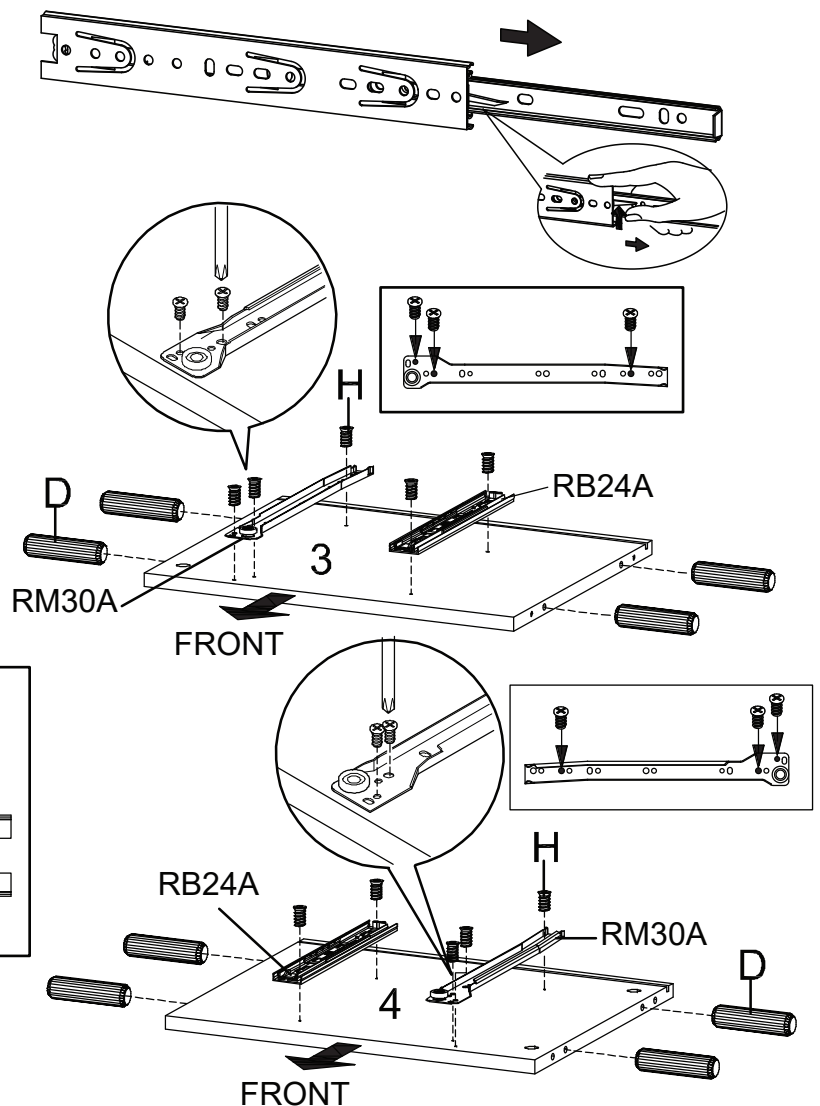
- RM30A** Drawer Runner x1

- RB24A** Drawer Runner x1

COMPONENTS

- 3** Side Board Left x1

- 4** Side Board Right x1



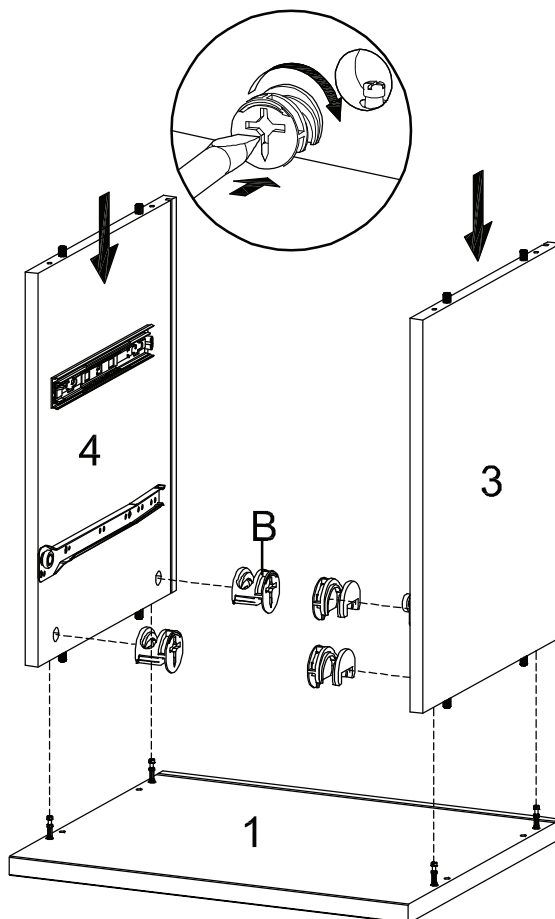
Step 3

HARDWARE

- B** Cam Lock Ø15 mm x4

COMPONENTS

- 1** Top Board x1
3 Side Board Left x1
4 Side Board Right x1



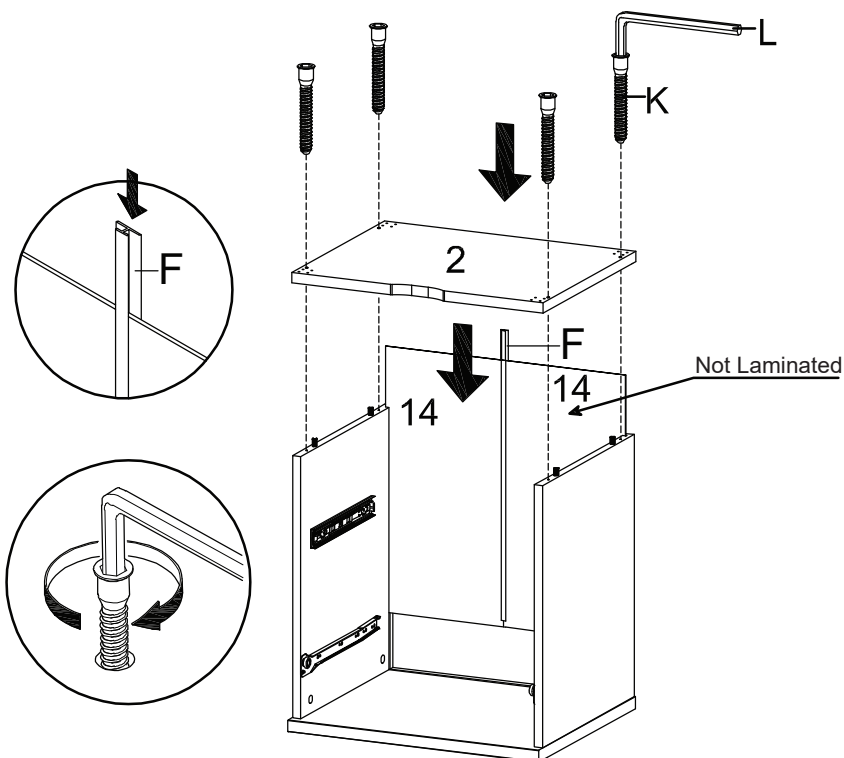
Step 4

HARDWARE

- F** Gap Cover Strip x1
K Screw M 7 x 50 mm x4
L Allen Key x1

COMPONENTS

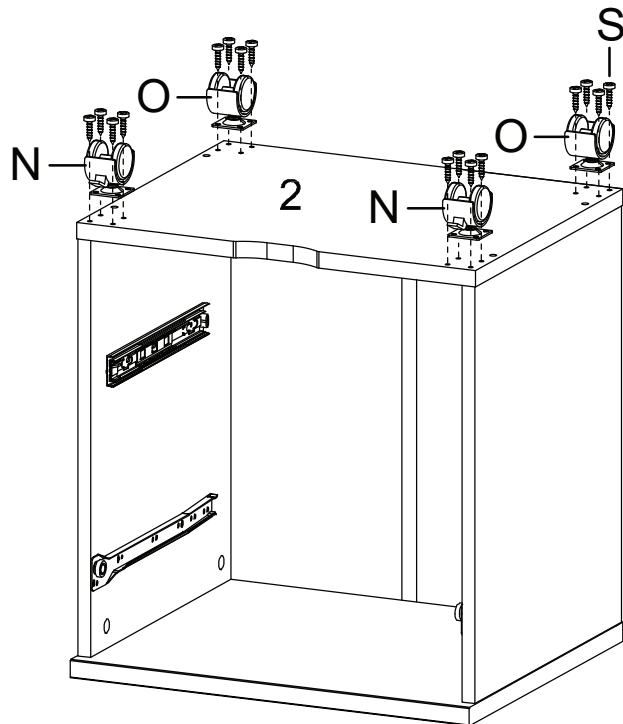
- 2** Bottom Board x1
14 Back Board x2



Step 5

HARDWARE

N	Castor With Stopper	x2
O	Castor	x2
S	Screw M 4 x 16 mm	x16



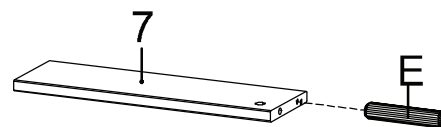
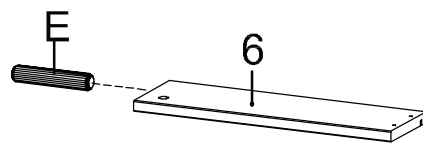
Step 6

HARDWARE

E	Wood Dowel Ø6x30 mm	x2
----------	---------------------	----

COMPONENTS

6	Side Drawer Left Small	x1
7	Side Drawer Right Small	x1



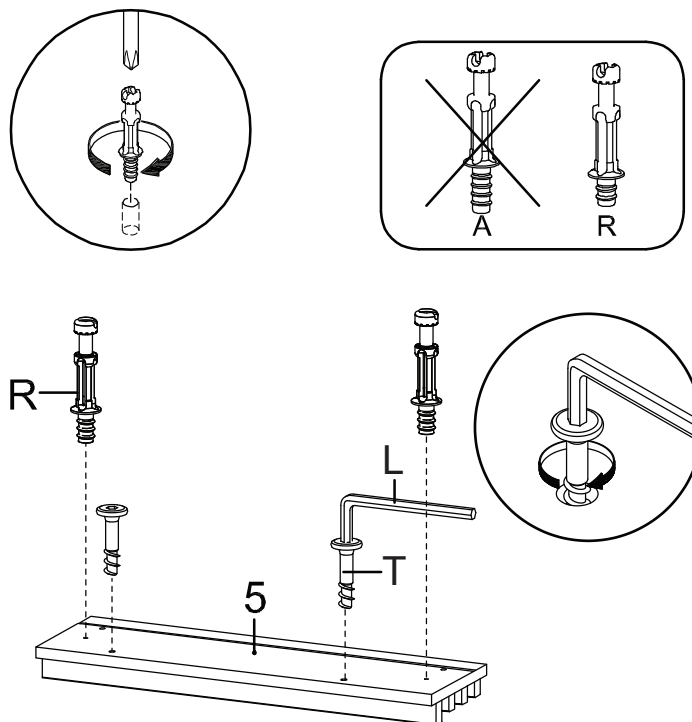
Step 7

HARDWARE

- L** Allen Key x1
- R** Cam Bolt Ø6 x 32 mm x2
- T** Screw M 6.4 x 25 mm x2

COMPONENTS

- 5** Front Drawer Small x1



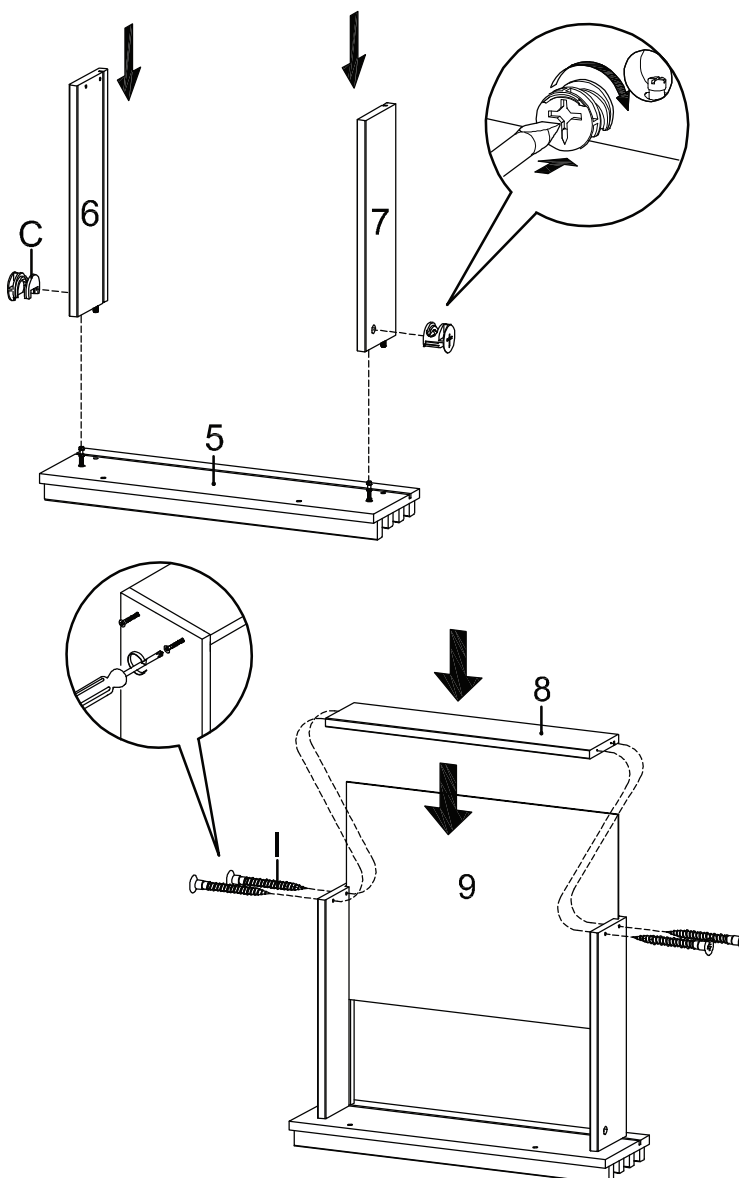
Step 8

HARDWARE

- C** Cam Lock Ø12 mm x2
- I** Screw M 8 x 39 mm x4

COMPONENTS

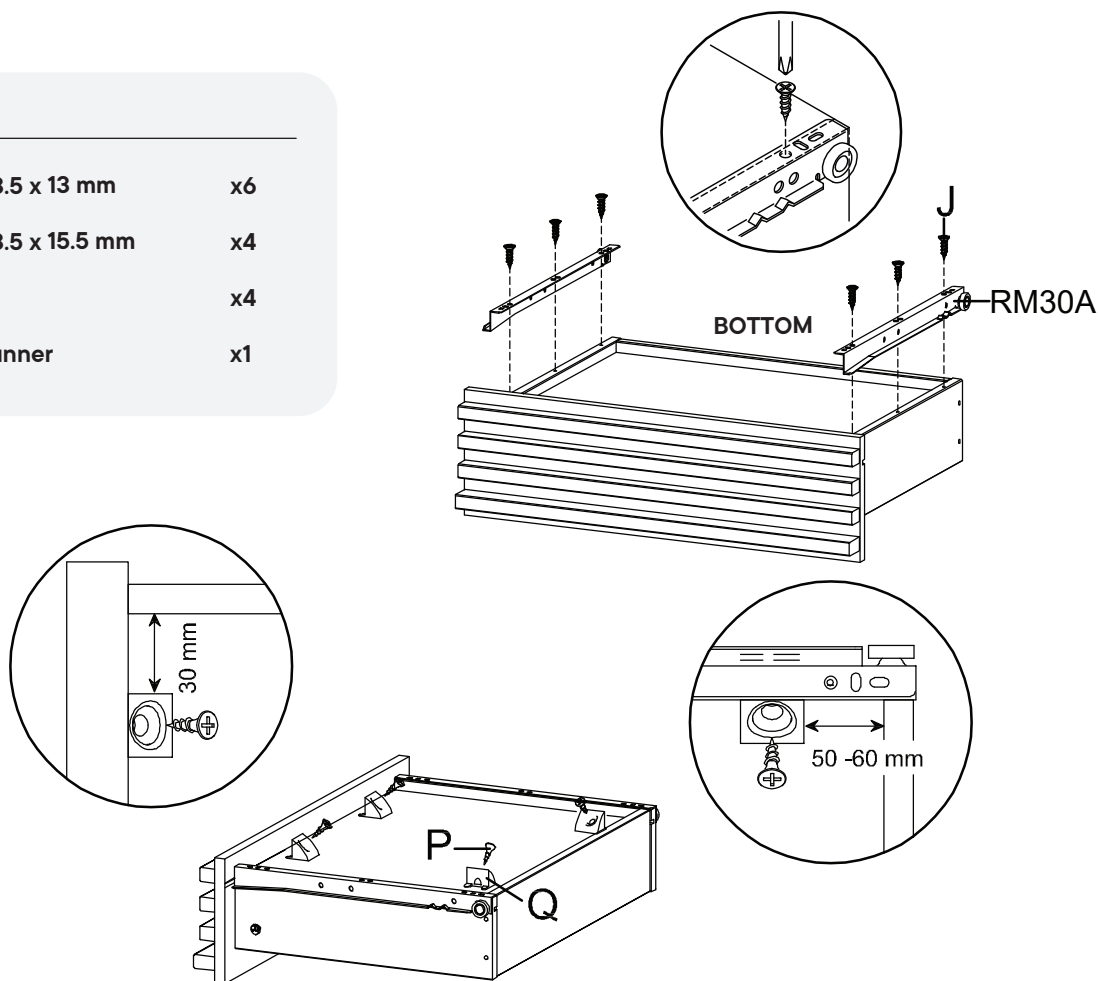
- 5** Front Drawer Small x1
- 6** Side Drawer Left Small x1
- 7** Side Drawer Right Small x1
- 8** Back Drawer Small x1
- 9** Bottom Drawer x1



Step 9

HARDWARE

- J** Screw M 3.5 x 13 mm x6
- P** Screw M 3.5 x 15.5 mm x4
- Q** Wedge x4
- RM30A** Drawer Runner x1



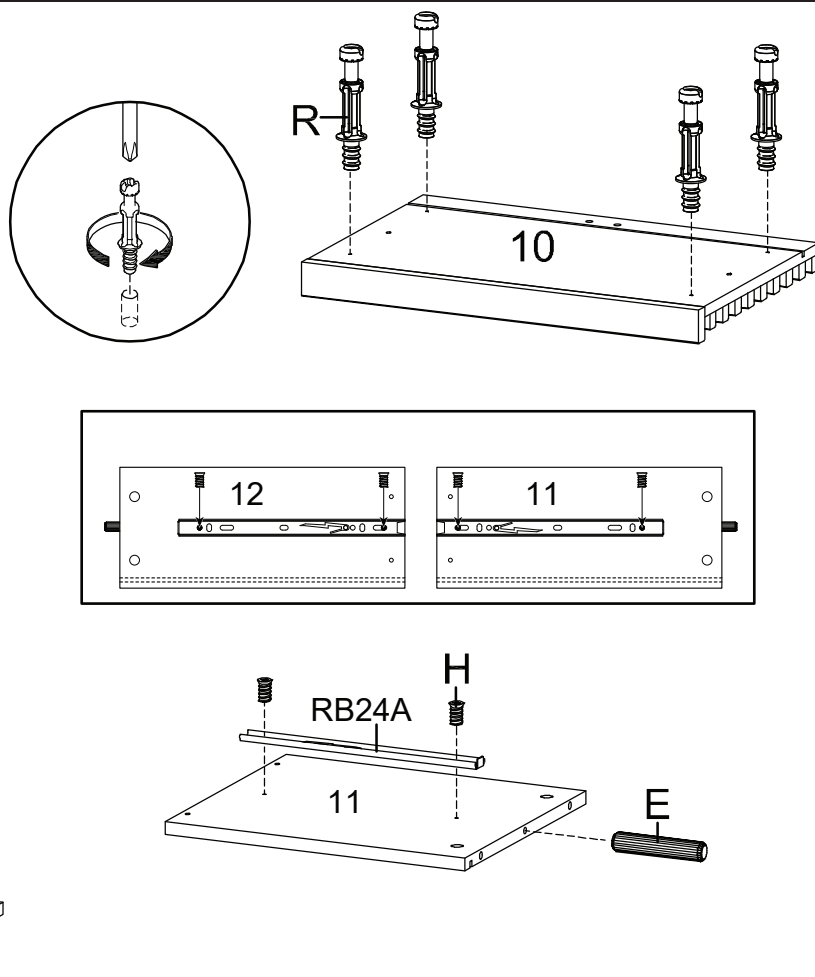
Step 10

HARDWARE

- E** Wood Dowel Ø6x30 mm x2
- H** Screw M 6 x 10.5 mm x4
- R** Cam Bolt Ø6 x 32 mm x4
- RB24A** Drawer Runner x1

COMPONENTS

- 10** Front Drawer Big x1
- 11** Side Drawer Left Big x1
- 12** Side Drawer Right Big x1



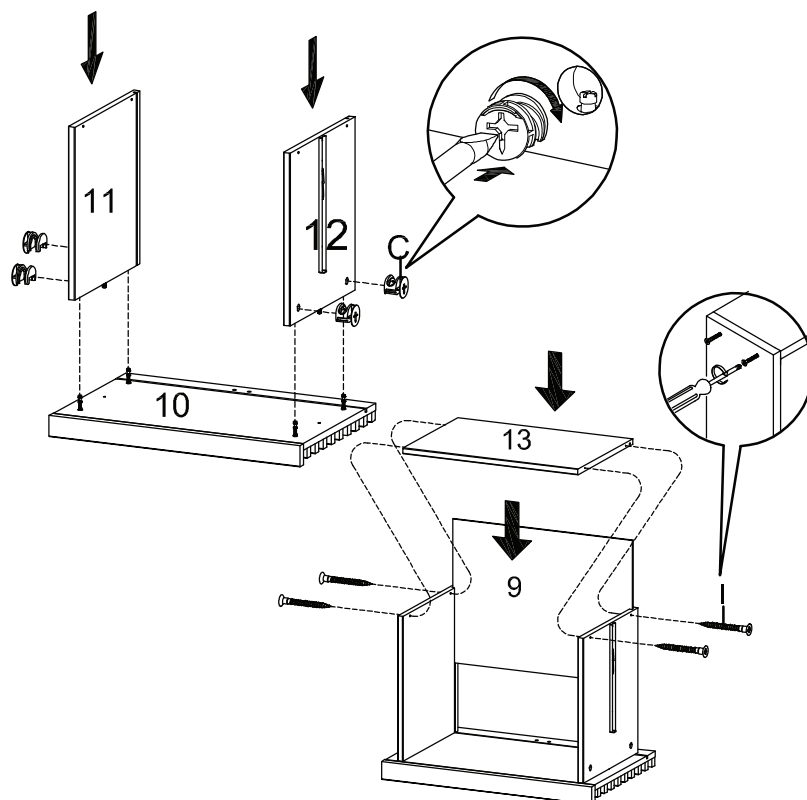
Step 11

HARDWARE

- C** Cam Lock Ø12 mm x4
- I** Screw M 8 x 39 mm x4

COMPONENTS

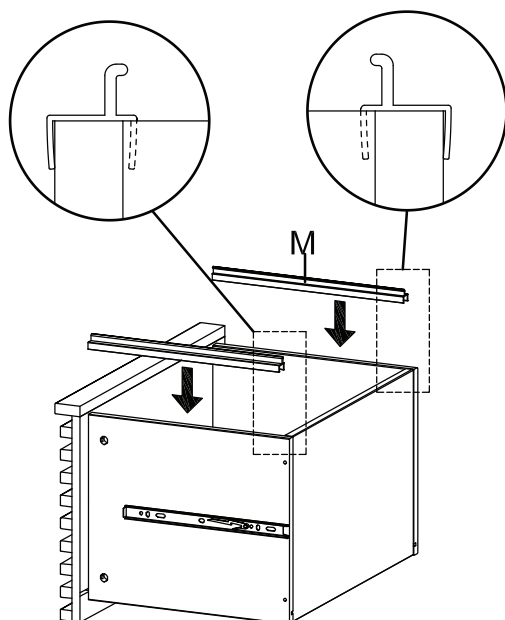
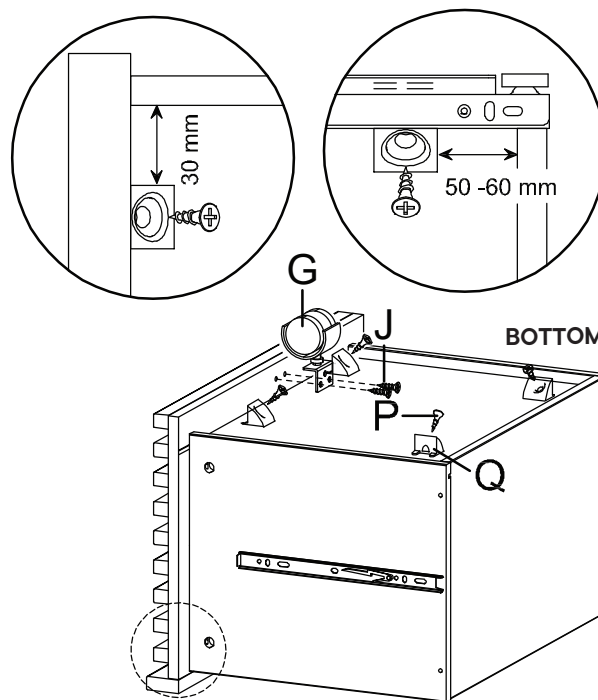
- 9** Bottom Drawer x1
- 10** Front Drawer Big x1
- 11** Side Drawer Left Big x1
- 12** Side Drawer Right Big x1
- 13** Back Drawer Big x1



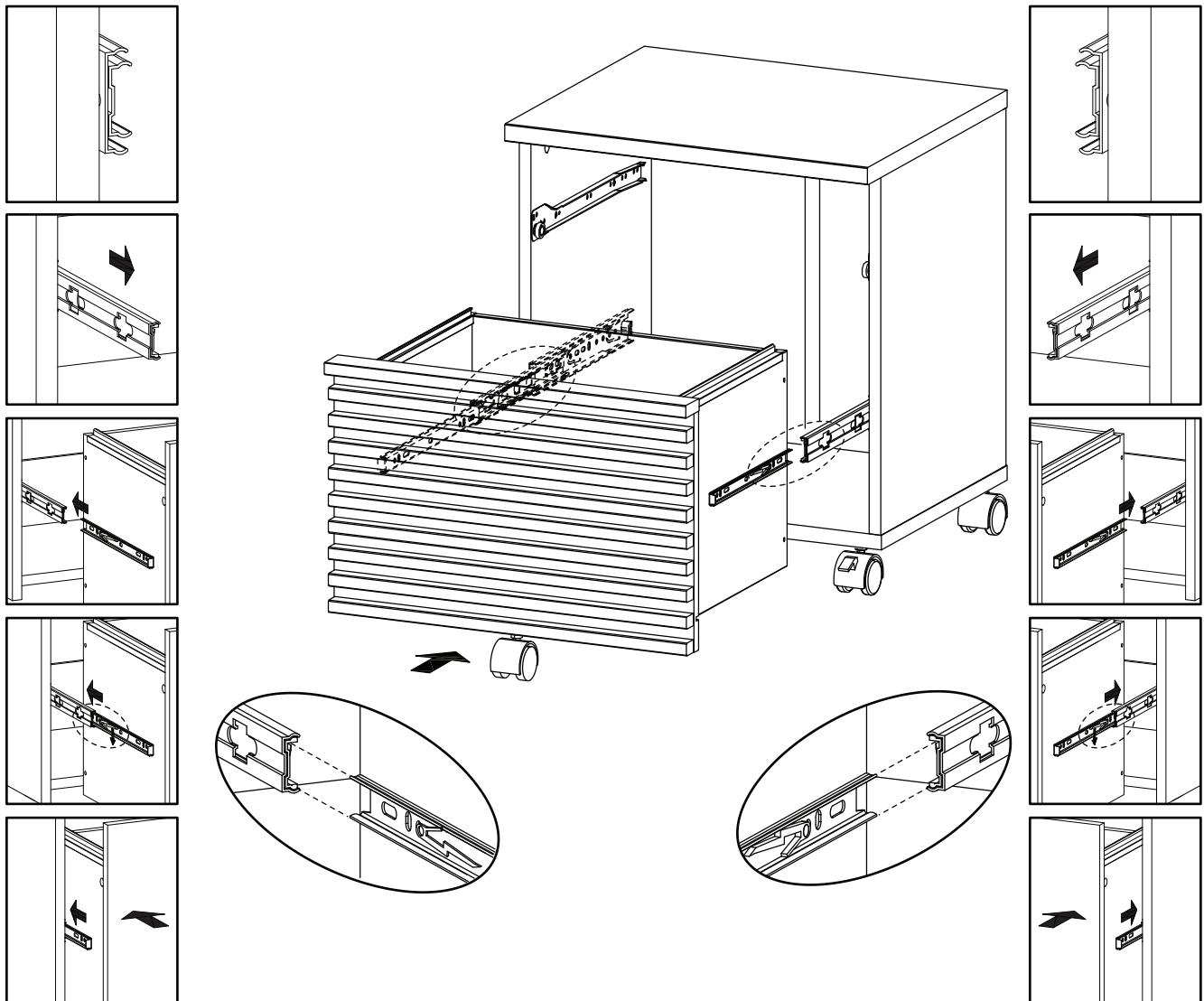
Step 12

HARDWARE

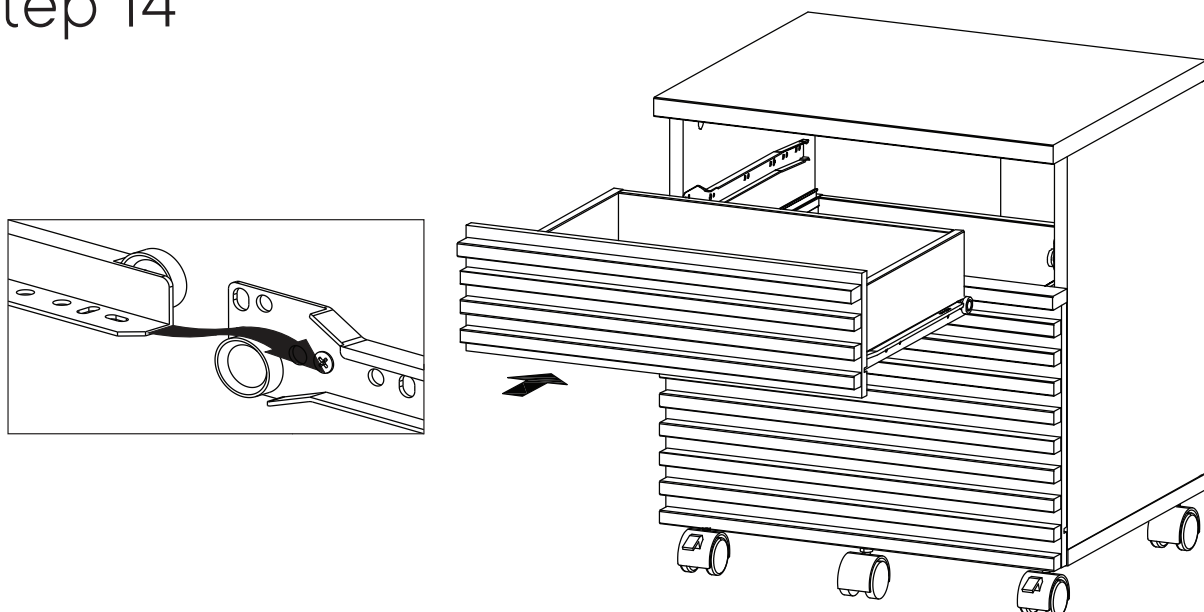
- J** Screw M 3.5 x 13 mm x2
- M** File Hang Rail x2
- P** Screw M 3.5 x 15.5 mm x4
- Q** Wedge x4
- G** Castor With Plate x1



Step 13



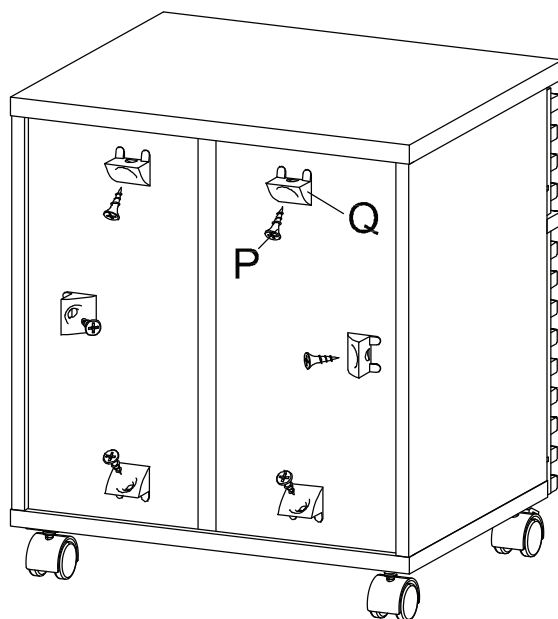
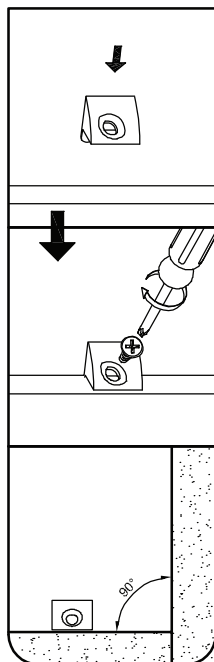
Step 14



Step 15

HARDWARE

- P** Screw M 3.5 x 15.5 mm x6
- Q** Wedge x6



Great job!

Trolley assembly is complete

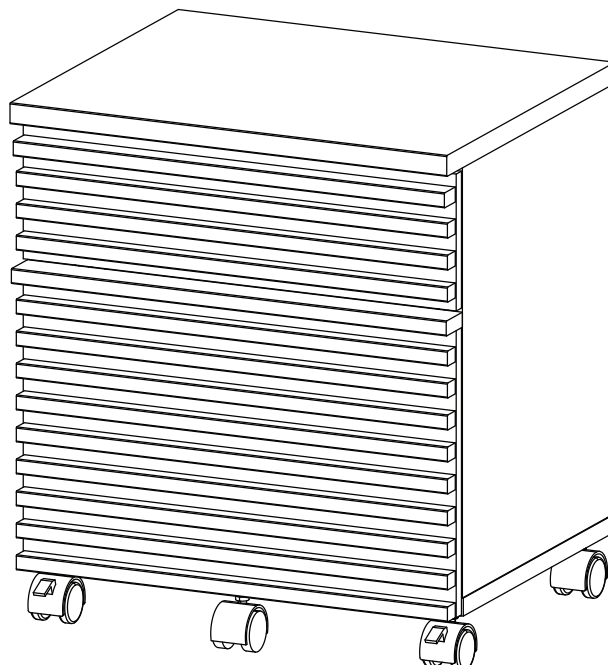
♥ CARING FOR YOUR ITEM

Indoor use only.

Not contract grade.

Clean using a non-abrasive cloth and a mild cleaner.

Never use harsh chemicals, as they could damage the finish or integrity of the item.



CONNECT WITH US!   

Tag us @modway_furniture and #modway for a chance to be featured.