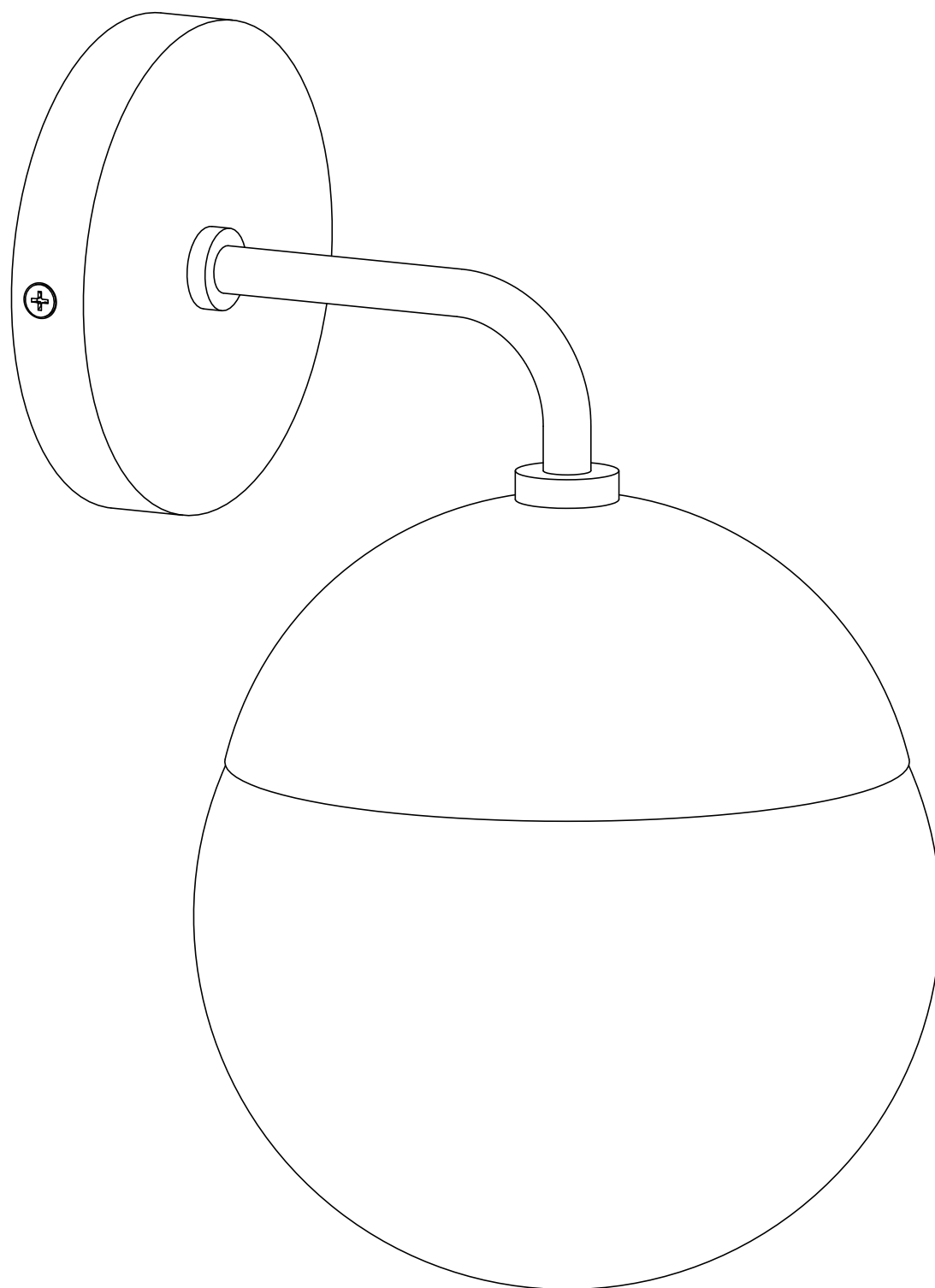


# ASSEMBLY INSTRUCTIONS

# EEI-5655

V1.08.22.21



**Questions? Contact us!**

609.256.9000 • [cs@modway.com](mailto:cs@modway.com)  
[www.modway.com](http://www.modway.com)

**\*modway**



**Read through all of the instructions before starting**

Do not over-tighten screws and bolts to avoid stripping the hardware or cracking the item.

Check all parts and hardware for damage. If the product is damaged, it should not be used.



**Make sure you have all parts and components before discarding any packing materials**

Assemble your item on a flat, carpeted area, with plenty of space to work. This will prevent damage and scratches to your floors or the item while you're assembling the product.

We recommend LED bulbs. LEDs are better for energy consumption and can prolong the life of the fixture.

Keep all components and packaging out of reach of children or animals to avoid risk of choking or suffocation.

Allow the fixture to cool before changing the bulb. Fixture may get hot when in use.

## Provided hardware:

A		Mounting Plate (Preassembled)	x1
B		Long Screw	x2
C		Wire Connector	x3
D		Short Green Screw (Preassembled)	x1
E		Side Screw (Preassembled)	x2

## What you need:

- 1 Phillips Head Screwdriver
- 2 One (1) E26 (medium-base) Light Bulb (MAX. 60W)  
Bulb not included.

## You may also need:

- + Ladder
- + Electrical Tape
- + Wire Strippers or Cutters
- + Power Drill



### CARING FOR YOUR ITEM

Indoor use only.

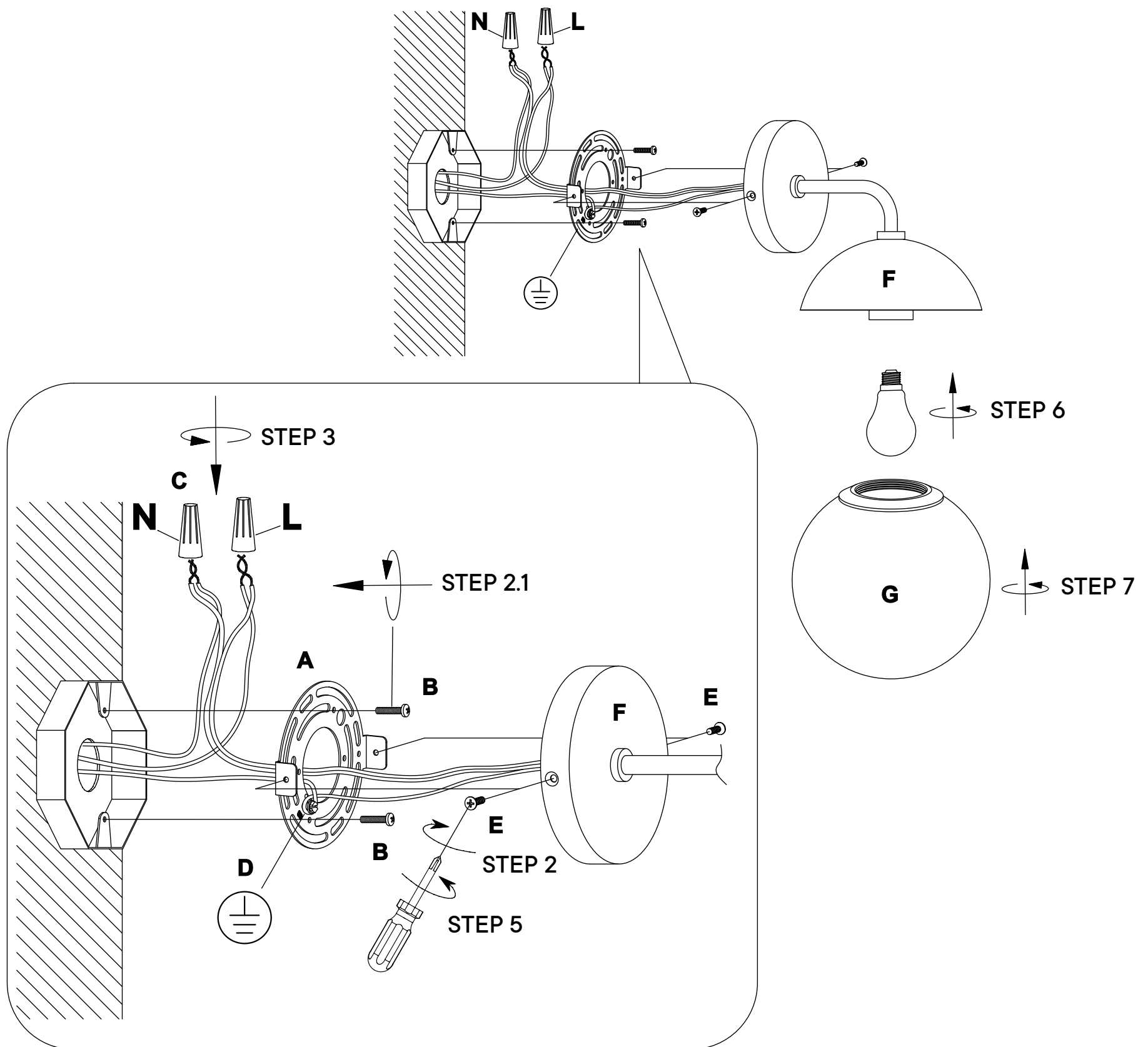
Clean using a non-abrasive cloth and a mild cleaner.

Never use harsh chemicals, as they could damage the finish or integrity of the item.

**Wait!**

**Missing parts or hardware? Need assistance?**

Contact us before returning your item. We're here to help!  
609.256.9000 • [cs@modway.com](mailto:cs@modway.com)



# Step 1

Before beginning **TURN OFF POWER** to the light from the fuse or circuit breaker.

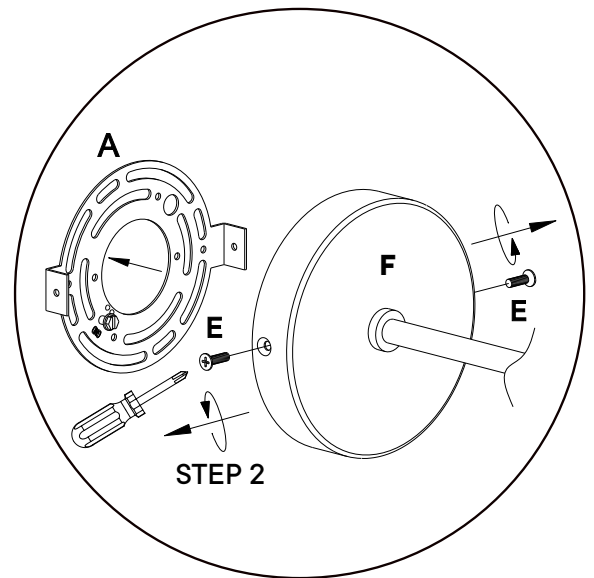


# Step 2

## HARDWARE

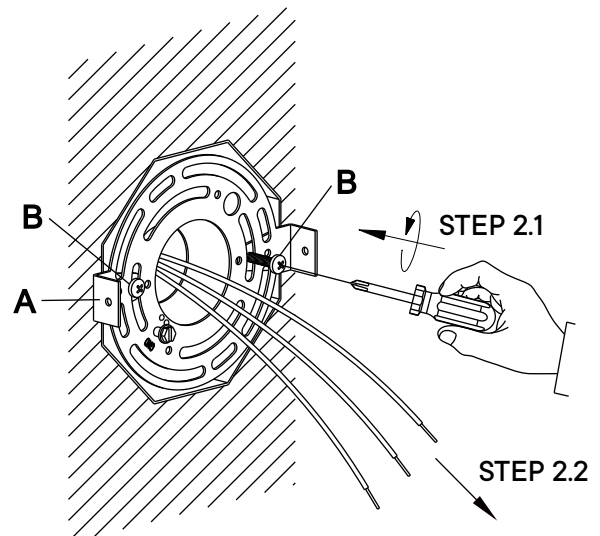
<b>A</b>	Mounting Plate	x1
<b>B</b>	Long Screw	x2

Remove **Side Screw (E)** to dismantle **Mounting Plate (A)** from the **Wall Lamp Base (F)**. Keep safe the **Side Screw (E)**.



**2.1** Attach the **Mounting Plate (A)** to the outlet box by using **Long Screw (B)**.

**2.2** Pull out all three wires from the outlet box.



# Step 3

## HARDWARE



Wire Connector

x3

Connect wires with matching polarity.

Attach the wires from the outlet box to the wires from the light fixtures.

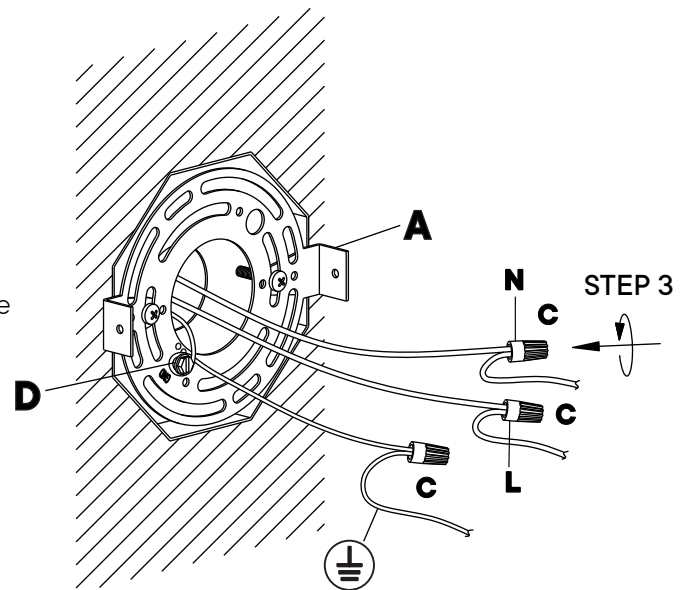
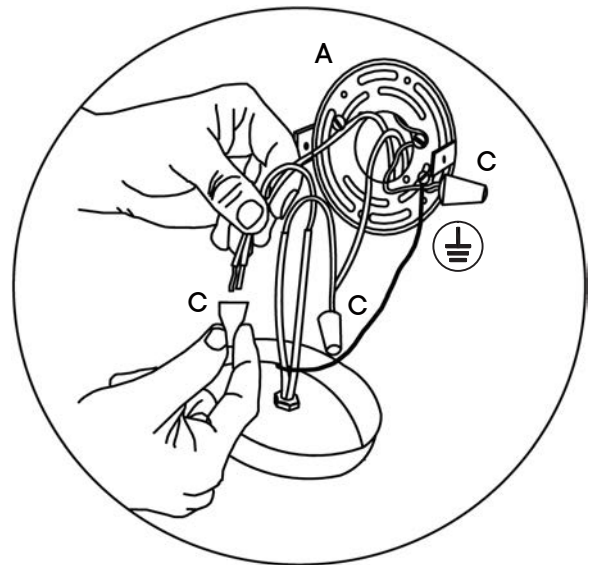
The black fixture wire connector to the black supply wire (**Live Wire**) (L) and the white fixtures wire to the white supply wire (**Neutral Wire**) (N).

Connect the copper groundwire to ground wire.

Secure each connection using a **Wire Connector** (C).

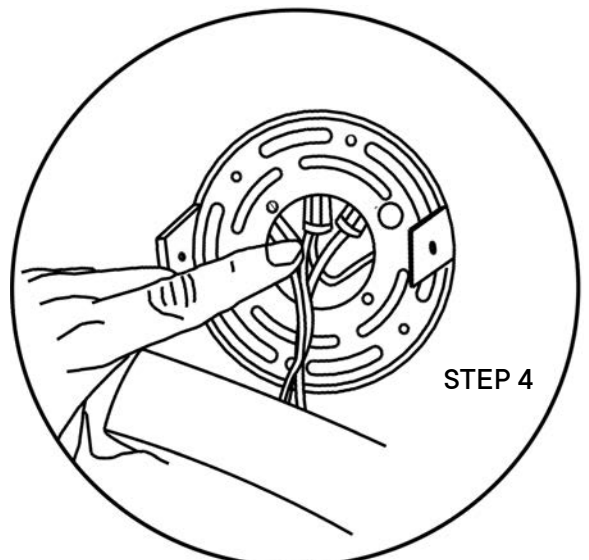
If there is no supply ground wire, attach the cooper fixture wire to **Short Green Screw** (D) at the **Mounting Plate** (A) to ground.

Make the appropriate electrical connection according to your local state, and/or country code requirements.



# Step 4

Push all wires into the outlet box.

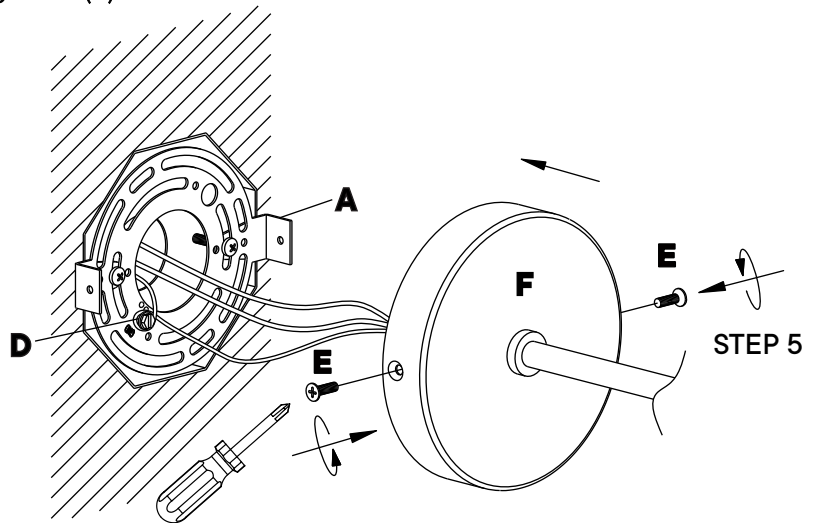


# Step 5

## HARDWARE

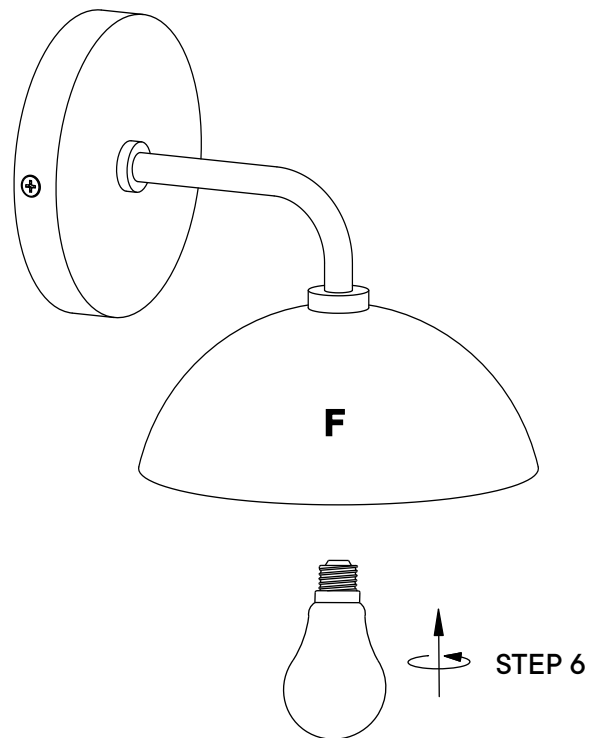
- D** Side Screws x2

Secure the Wall Lamp Base (F) to the Mounting Plate (A) by using Side Screw (E).



# Step 6

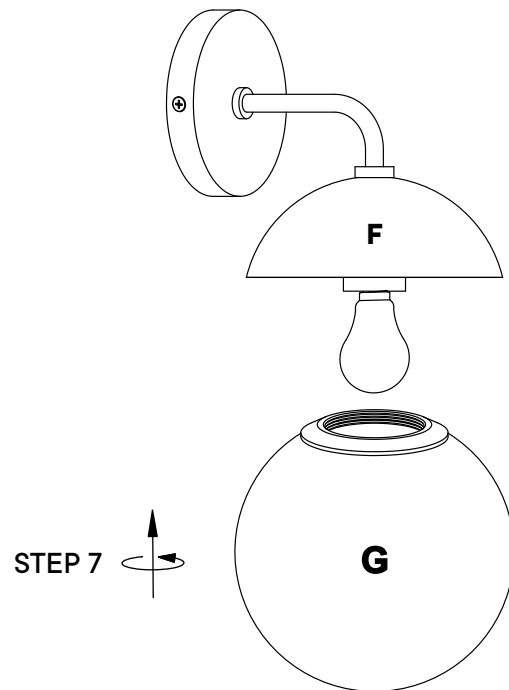
Install the light bulb according to the wattage label (E26, MAX. 60W). Bulb not included.



**ATTENTION:** To avoid the risk of fire, do not exceed the recommended wattage indicated on the wattage label.

# Step 7

Install the **Lamp Shade(G)**.



## Great job!

Your new light fixture is ready for use.

### ♥ CARING FOR YOUR ITEM

Indoor use only.

Clean using a non-abrasive cloth and a mild cleaner.

Never use harsh chemicals, as they could damage the finish or integrity of the item.

CONNECT WITH US!   

Tag us @modway\_furniture and #modway for a chance to be featured.

