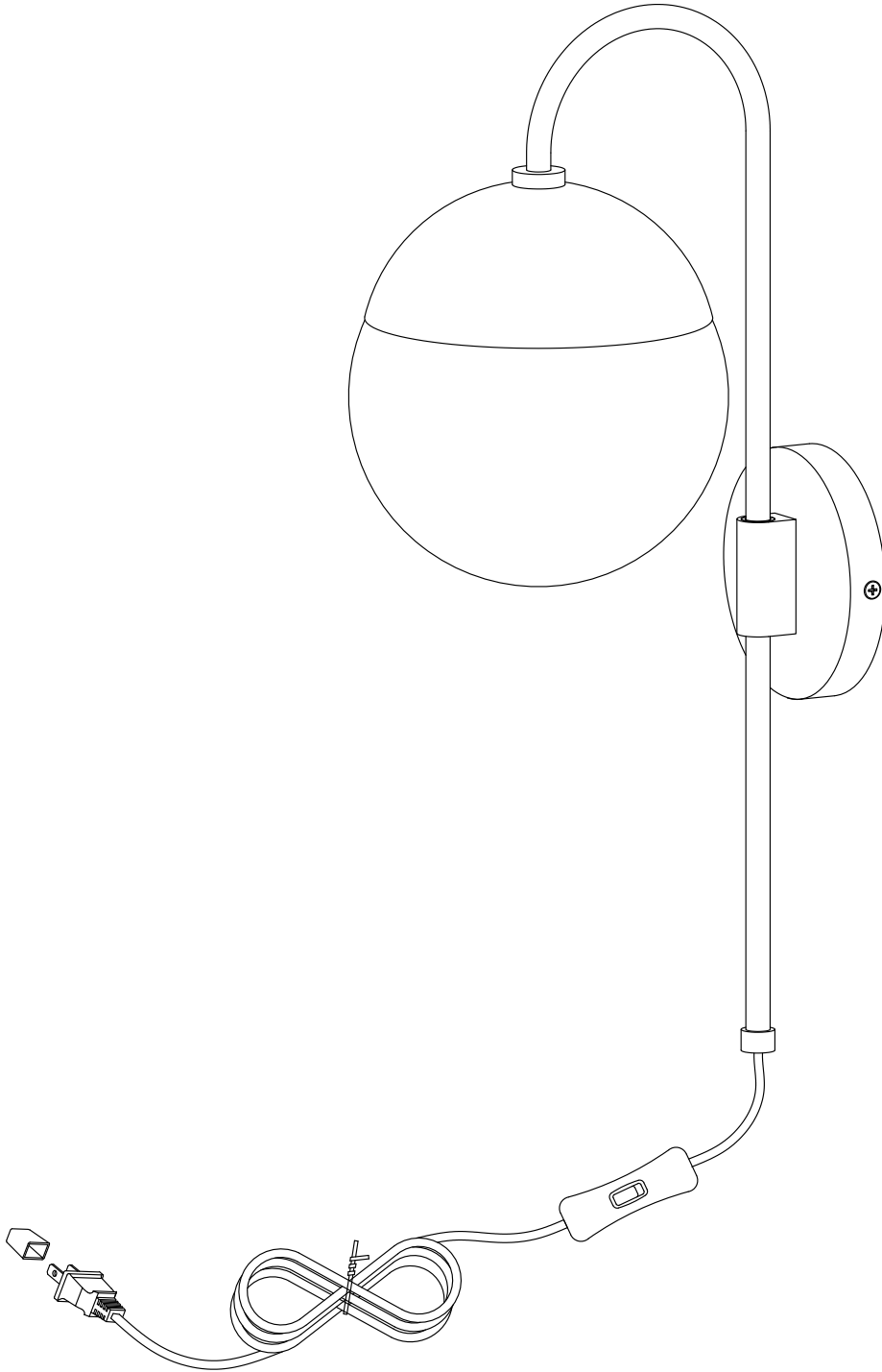


# ASSEMBLY INSTRUCTIONS

## EEI-5654

V1.08.22.21



### Questions? Contact us!

609.256.9000 • [cs@modway.com](mailto:cs@modway.com)  
[www.modway.com](http://www.modway.com)

\*modway

# Let's get started!

\*modway



Read through all of the instructions before starting



Care instructions are listed in the last step of this manual

Do not over-tighten screws and bolts to avoid stripping the hardware or cracking the item.

Installation and electrical connections must follow local and National Electric Code standards.



For hardwiring installation, we suggest hiring a professional electrician.



Make sure you have all parts and components before discarding any packing materials

Keep all components and packaging out of reach of children or animals to avoid risk of choking or suffocation.

Ensure the main power supply is OFF before starting work to prevent electrical shock.

Check all parts and hardware for damage. If the product is damaged, it should not be used.

Allow the fixture to cool before changing the bulb. Fixture may get hot when in use.

We recommend LED bulbs. LEDs are better for energy consumption and can prolong the life of the fixture.

## Provided hardware:

A		Mounting Plate (Preassembled)	x1
B		Long Screw	x1
C		Wire Connector	x3
D		Short Green Screw (Preassembled)	x1
E		Side Screw (Preassembled)	x2

## What you need:

- 1 Phillips Head Screwdriver
- 2 One (1) E26 (medium-base) Light Bulb (MAX. 60W) Bulb not included.

## You may also need:

- + Ladder
- + Electrical Tape
- + Wire Strippers or Cutters
- + Power Drill



### CARING FOR YOUR ITEM

Indoor use only.

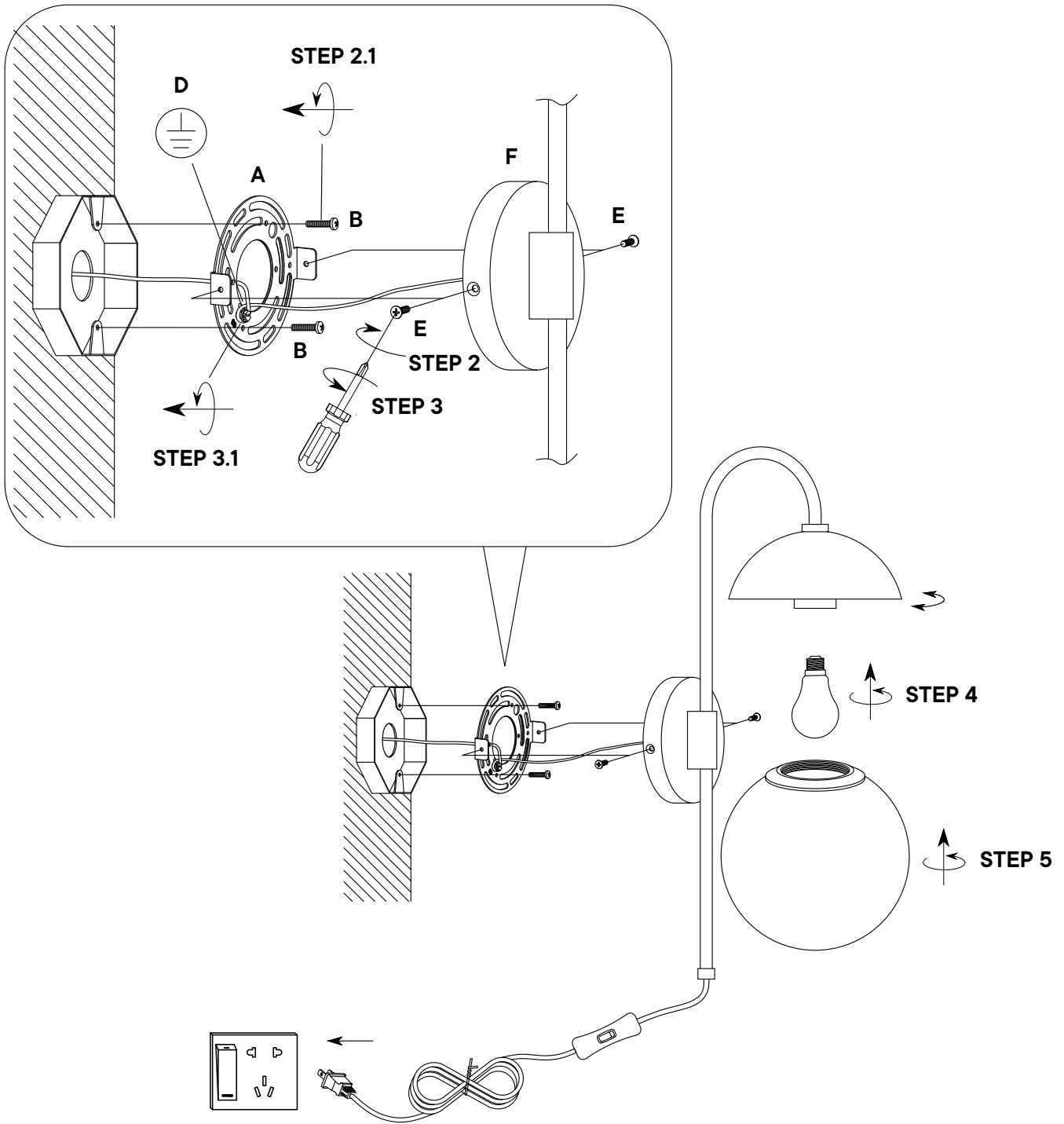
Clean using a non-abrasive cloth and a mild cleaner.

Never use harsh chemicals, as they could damage the finish or integrity of the item.

**Wait!**

**Missing parts or hardware? Need assistance?**

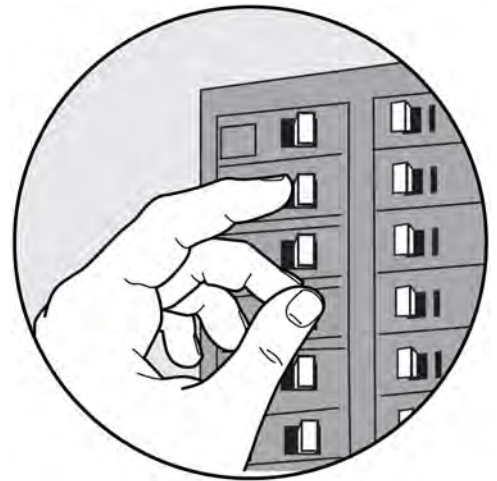
Contact us before returning your item. We're here to help!  
609.256.9000 • [cs@modway.com](mailto:cs@modway.com)



**For safety, please consult a local electrician or code professional before installing your new fixture.**

# Step 1

Before beginning **TURN OFF POWER** to the light from the fuse or circuit breaker.



# Step 2

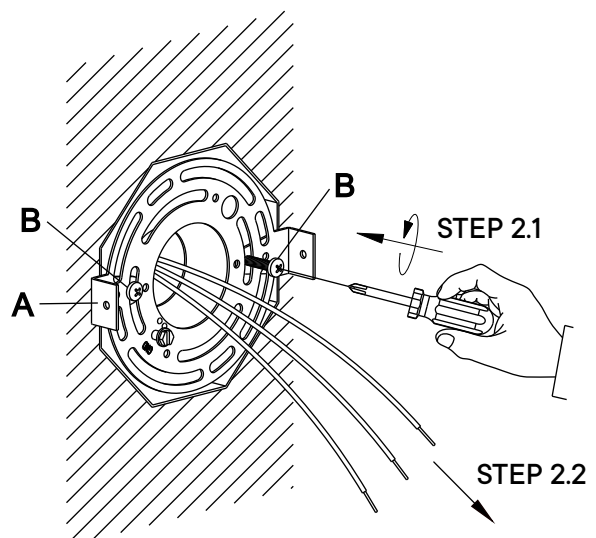
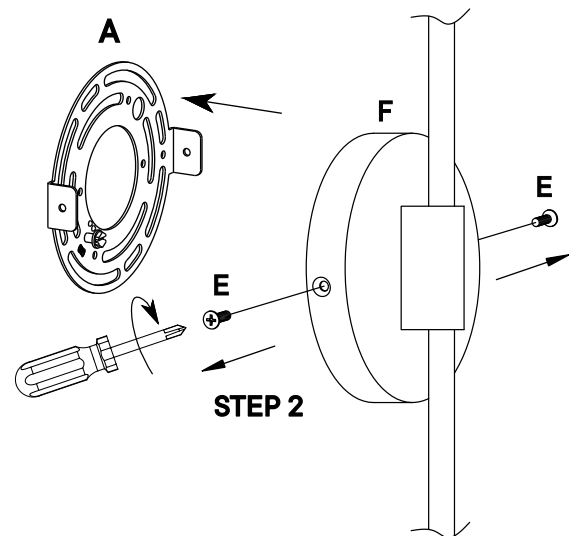
## HARDWARE

<b>A</b>	Mounting Plate	x1
<b>E</b>	Side Screw	x2

Dismantle the **Mounting Plate (A)** from the **Lamp Wall Base (F)**. Keep the **Side Screw (E)** at the safe place.

2.1 Secure the **Mounting Plate (A)** to the outlet box by using mounting **Long Screw (B)**.

2.2 Pull out all wires from the outlet box.



## Step 3

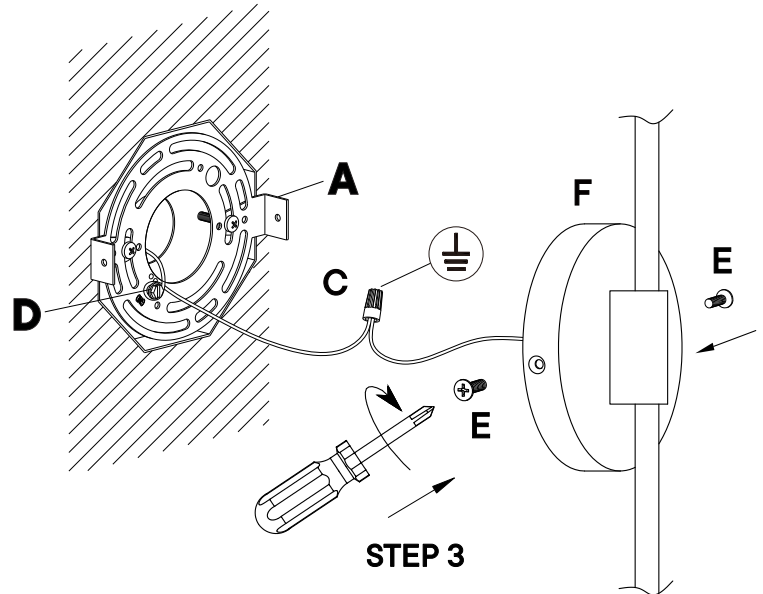
### HARDWARE

<b>A</b>	Mounting Plate	x1
<b>D</b>	Short Green Screw	x1
<b>E</b>	Side Screws	x2

Connect the copper ground wire to ground wire.

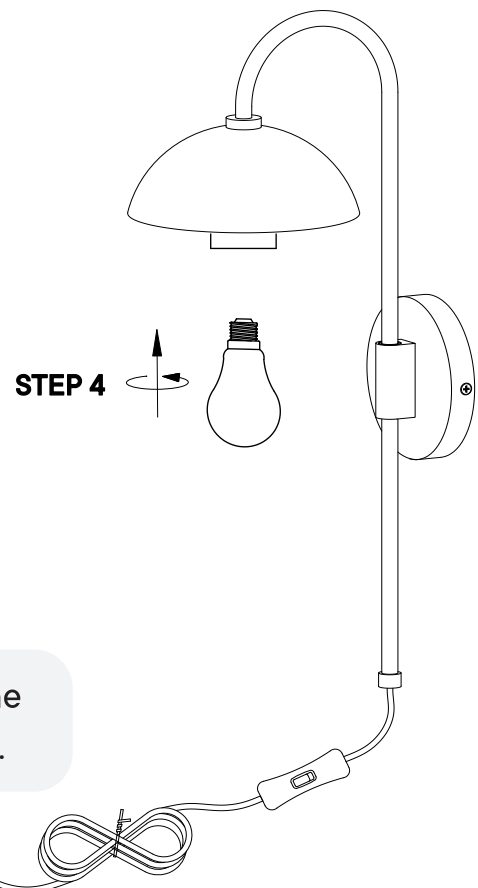
If there is no supply ground wire, attach the copper fixture wire to **Short Green Screw(D)** at the **Mounting Plate (A)** to ground.

Attach the Lamp Wall Base (F) to the Mounting Plate (A) and secure with Side Screw (E).



## Step 4

Install the light bulb according to the wattage label (**E26, MAX. 60W, bulb not included**).

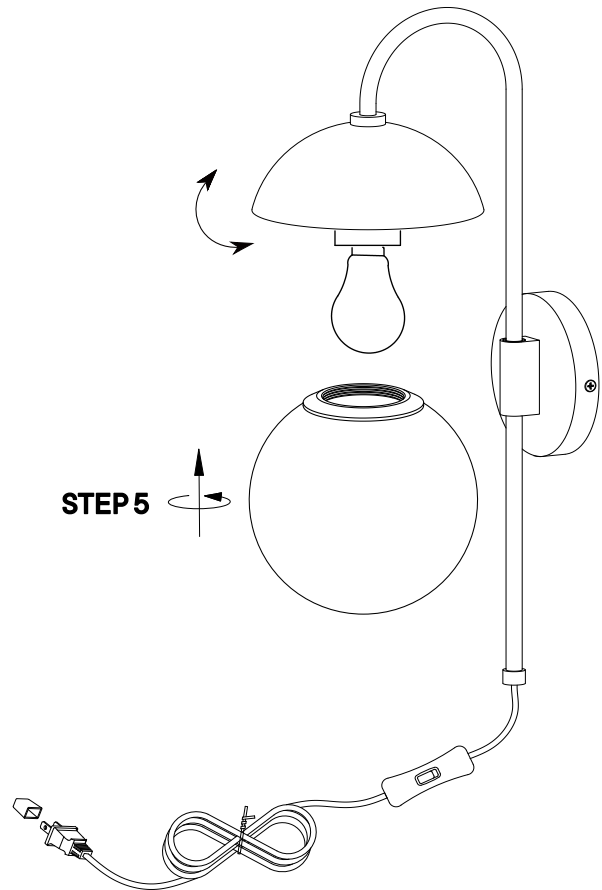


**ATTENTION:** To avoid the risk of fire, do not exceed the recommended wattage indicated on the wattage label.

# Step 5

Install the lamp shade.

**NOTE:** The position of the lamp shade can be adjusted as shown.



# Great job!

Your new light fixture is ready for use.

## ♥ CARING FOR YOUR ITEM

Indoor use only.

Clean using a non-abrasive cloth and a mild cleaner.

Never use harsh chemicals, as they could damage the finish or integrity of the item.

CONNECT WITH US!   

Tag us [@modway\\_furniture](#) and [#modway](#) for a chance to be featured.

