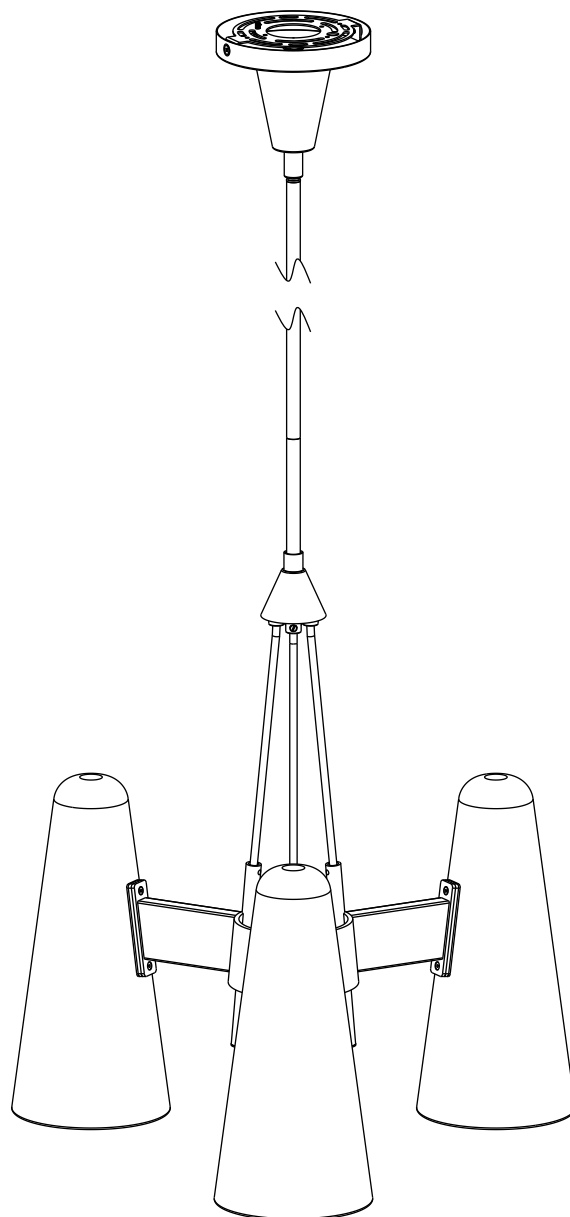


# ASSEMBLY INSTRUCTIONS

# EEI-5647

V1.07.10.21



**Questions? Contact us!**

609.256.9000 • [cs@modway.com](mailto:cs@modway.com)  
[www.modway.com](http://www.modway.com)

**\*modway**

# Let's get started!

\*modway



Read through all of the instructions before starting



Make sure you have all parts and components before discarding any packing materials

Do not over-tighten screws and bolts to avoid stripping the hardware or cracking the item.

Keep all components and packaging out of reach of children or animals to avoid risk of choking or suffocation.

Check all parts and hardware for damage. If the product is damaged, it should not be used.

We recommend LED bulbs. LEDs are better for energy consumption and can prolong the life of the fixture.

Installation and electrical connections must follow local and National Electric Code standards.

Ensure the main power supply is OFF before starting work to prevent electrical shock.

Allow the fixture to cool before changing the bulb. Fixture may get hot when in use.



For hardwiring installation, we suggest hiring a professional electrician.

## Provided hardware:

A		Mounting Plate (Preassembled)	x1
B		Long Screw	x2
C		Wire Connector	x3
D		Short Green Screw (Preassembled)	x1
E		Side Screw (Preassembled)	x2
F		Hexagon Socket Screw	x6
G		Allen Key	x1

## What you need:

- Phillips Head Screwdriver
- Three (3) E26 (medium-base) light bulb (Max.60W)  
Bulb not included.

## You may also need:

- + Ladder
- + Electrical Tape
- + Wire Strippers or Cutters
- + Power Drill



### CARING FOR YOUR ITEM

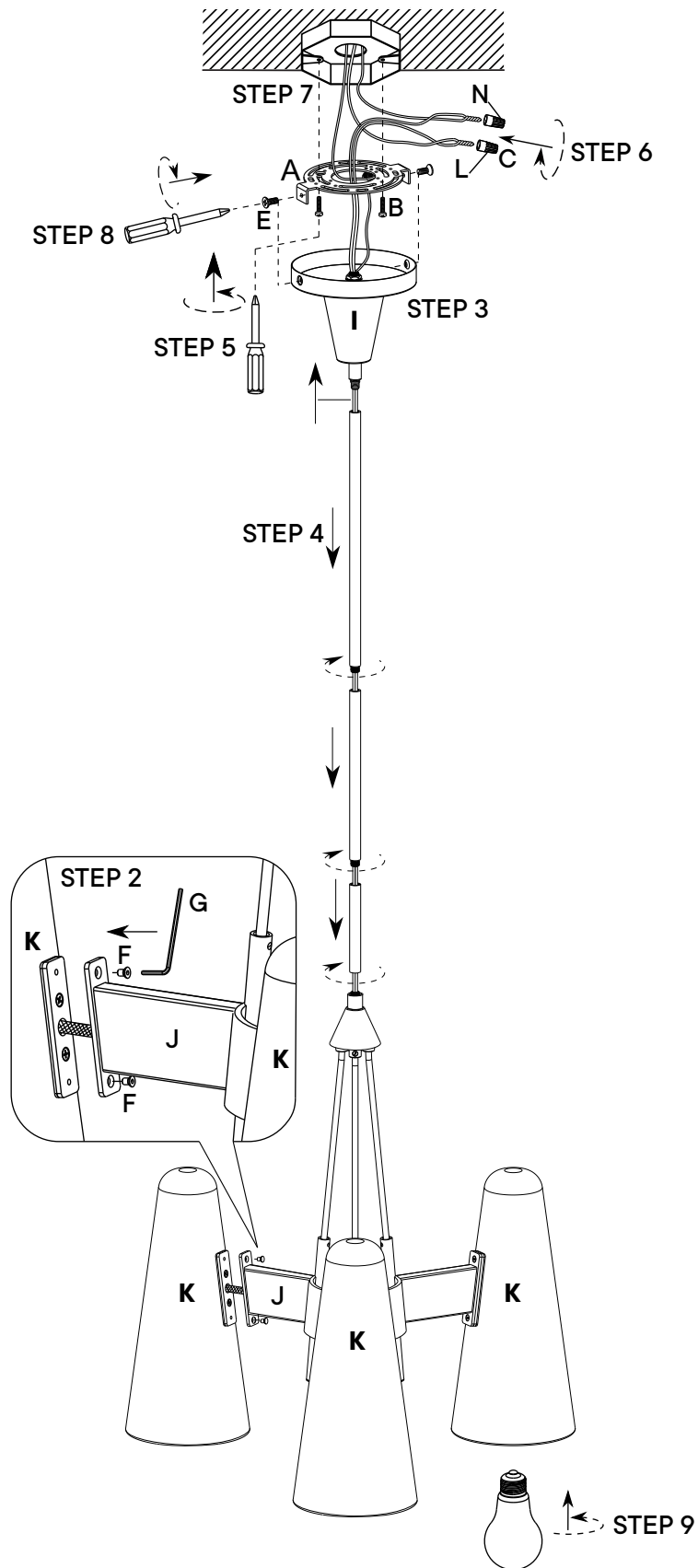
Indoor use only.

Clean using a non-abrasive cloth and a mild cleaner.

Never use harsh chemicals, as they could damage the finish or integrity of the item.

**Wait!**

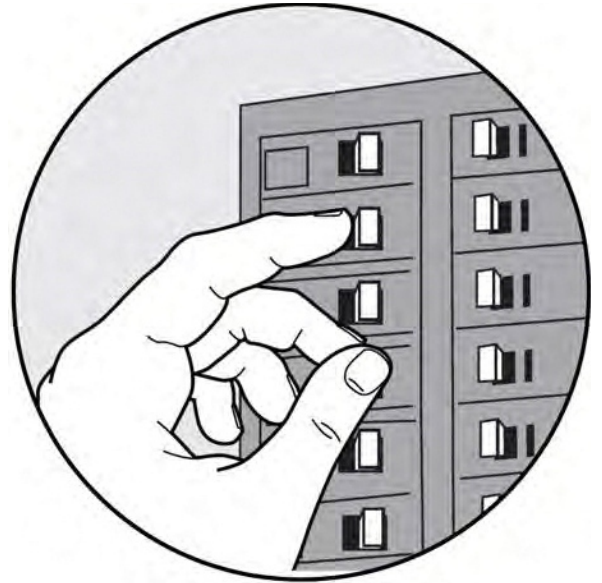
Missing parts or hardware? Need assistance?  
Contact us before returning your item. We're here to help!  
609.256.9000 • cs@modway.com



For safety, please consult a local electrician or code professional before installing your new fixture.

# Step 1

Before beginning **TURN OFF POWER** to the light from the fuse or circuit breaker.



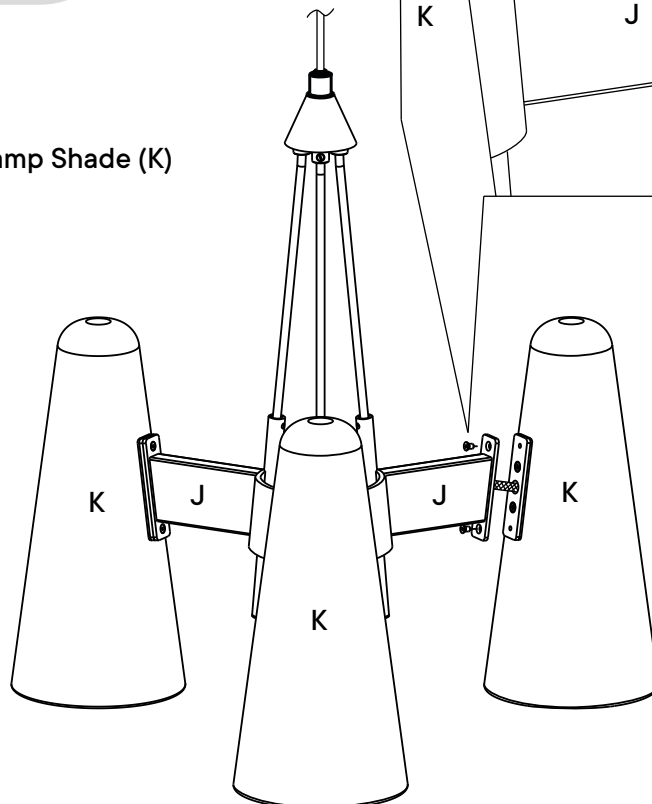
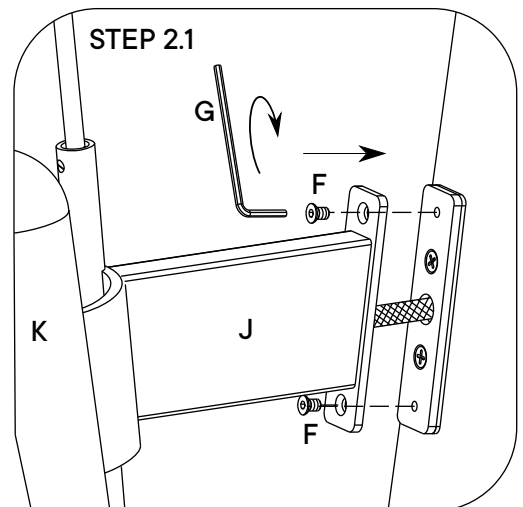
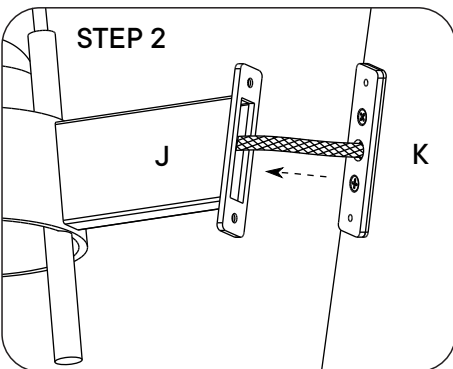
# Step 2

## HARDWARE

- G** Allen Key x1
- F** Hexagon Socket Screw x6

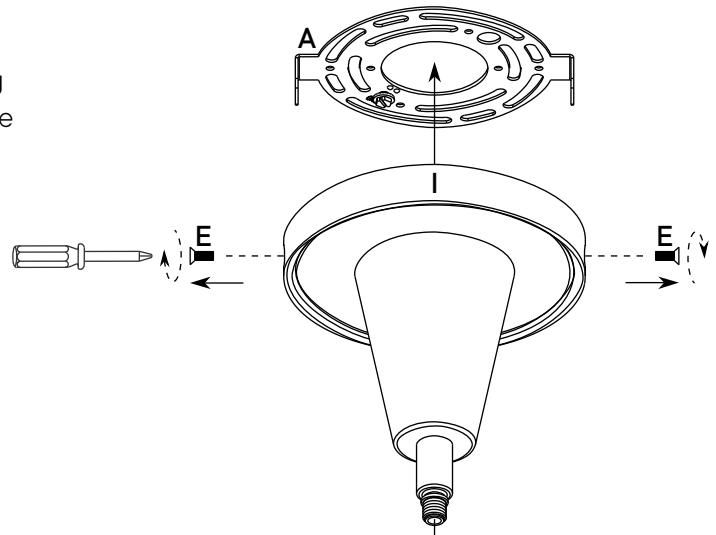
Push wire into the **Arm (J)**.

**2.1** Using **Allen Key (G)** secure the **Lamp Shade (K)** with **Hexagon Socket Screw (F)**.



## Step 3

Dismantle the **Mounting Plate (A)** from the **Ceiling Canopy (I)** by removing the **Side Screw (E)**. keep the **Side Screw (E)** in a safe place.



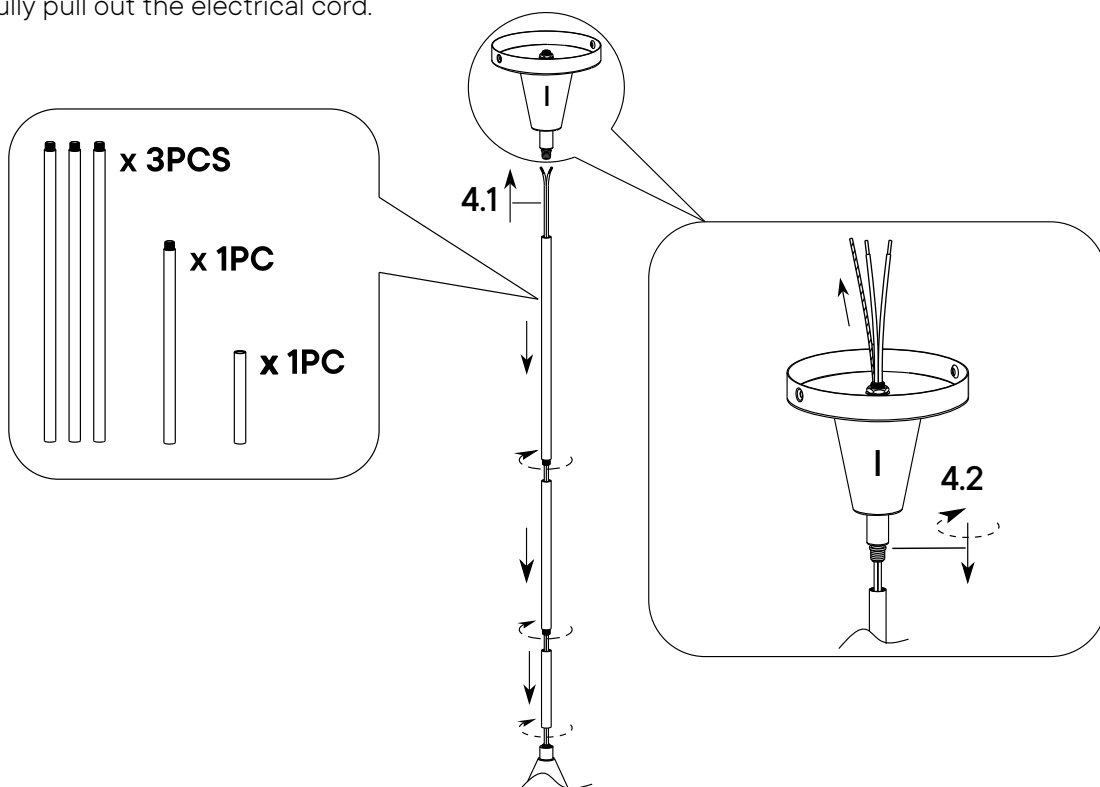
## Step 4

Determine your desired total drop of the lamp. The total drop is the distance from the ceiling to where you would like the bottom of the pendant to hang. You may use all rods or the combination of the rod to get your desired lamp height. Once decided, tighten the rod/tube accordingly.

4.1-Slowly push the electrical cord through during each rod assembly.

4.2-Attach and tighten the **Ceiling Canopy (I)** at the rod's end.

4.3-Carefully pull out the electrical cord.



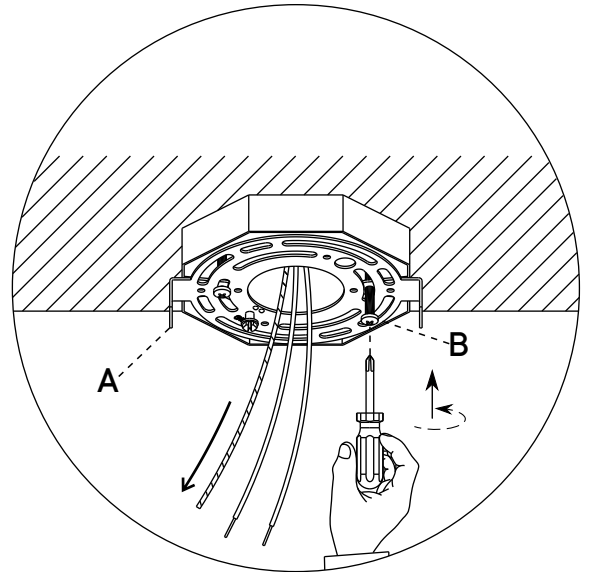
## Step 5

### HARDWARE

- |          |                       |           |
|----------|-----------------------|-----------|
| <b>A</b> | <b>Mounting Plate</b> | <b>x1</b> |
| <b>B</b> | <b>Long Screws</b>    | <b>x2</b> |

Attach the **Mounting Plate (A)** to the Electrical Box. Insert **Long Screws (B)** into each hole on mounting plate and align with holes in electrical box. Tighten all screws.

Pull out all three wires from the outlet box.



## Step 6

### HARDWARE

- |          |                       |           |
|----------|-----------------------|-----------|
| <b>C</b> | <b>Wire Connector</b> | <b>x3</b> |
|----------|-----------------------|-----------|

Connect wires with matching polarity.

Attach the wires from the outlet box to the wires from the light fixtures.

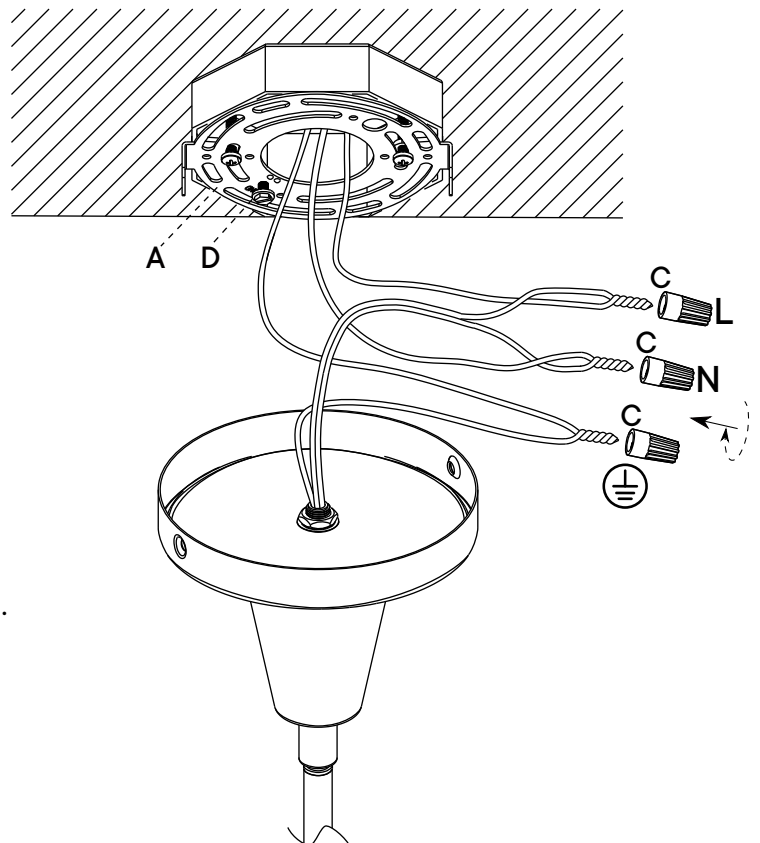
The black fixture wire connector to the black supply wire (**Live Wire (L)**) and the white fixtures wire to the white supply wire (**Neutral Wire (N)**).

Connect the copper ground wire to ground wire.

Secure each connection using a **Wire Connector (C)**.

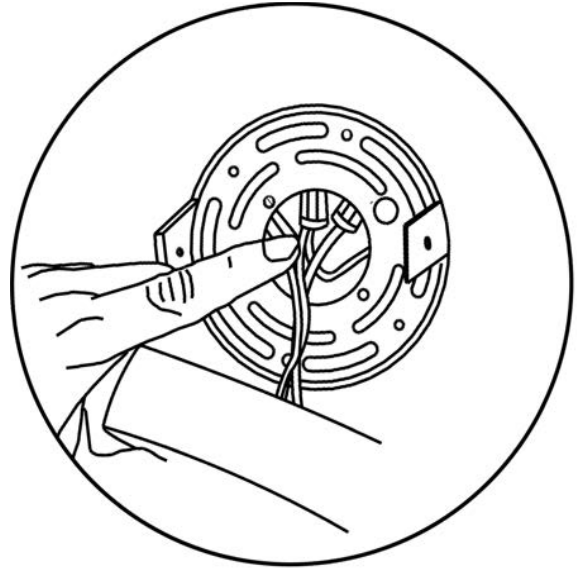
If there is no supply ground wire, attach the copper fixture wire to **Short Green Screw (D)** at the **Mounting Plate (A)** to ground.

Make the appropriate electrical connection according to your local state, and/or country code requirements.



## Step 7

Push all wires into the outlet box.

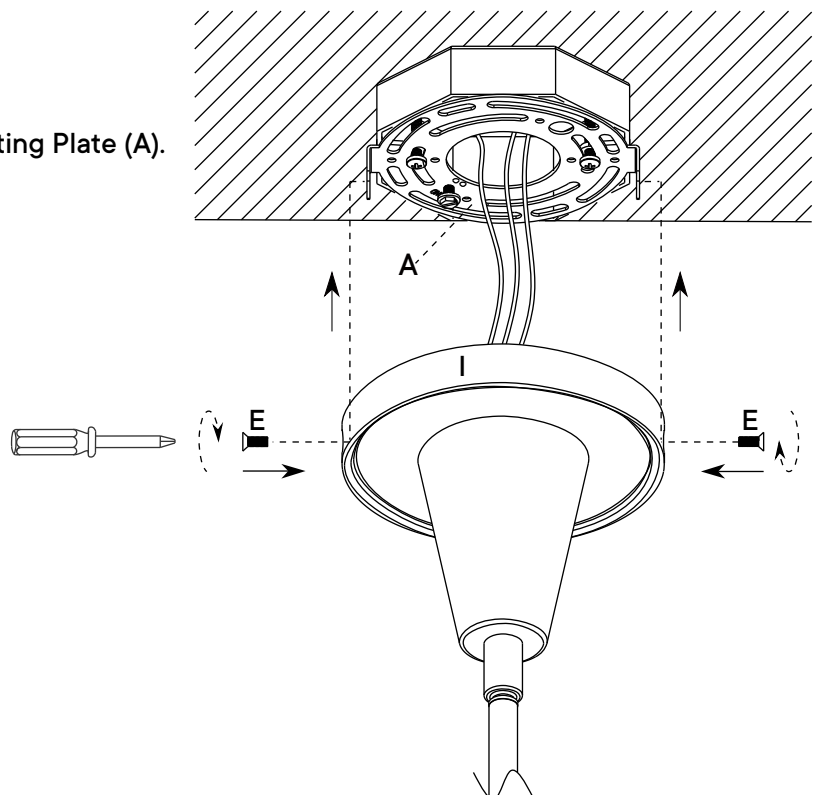


## Step 8

### HARDWARE

**E** Side Screws x2

Attach the **Ceiling Canopy (I)** to the **Mounting Plate (A)** by securing the **Side Screws (E)**.

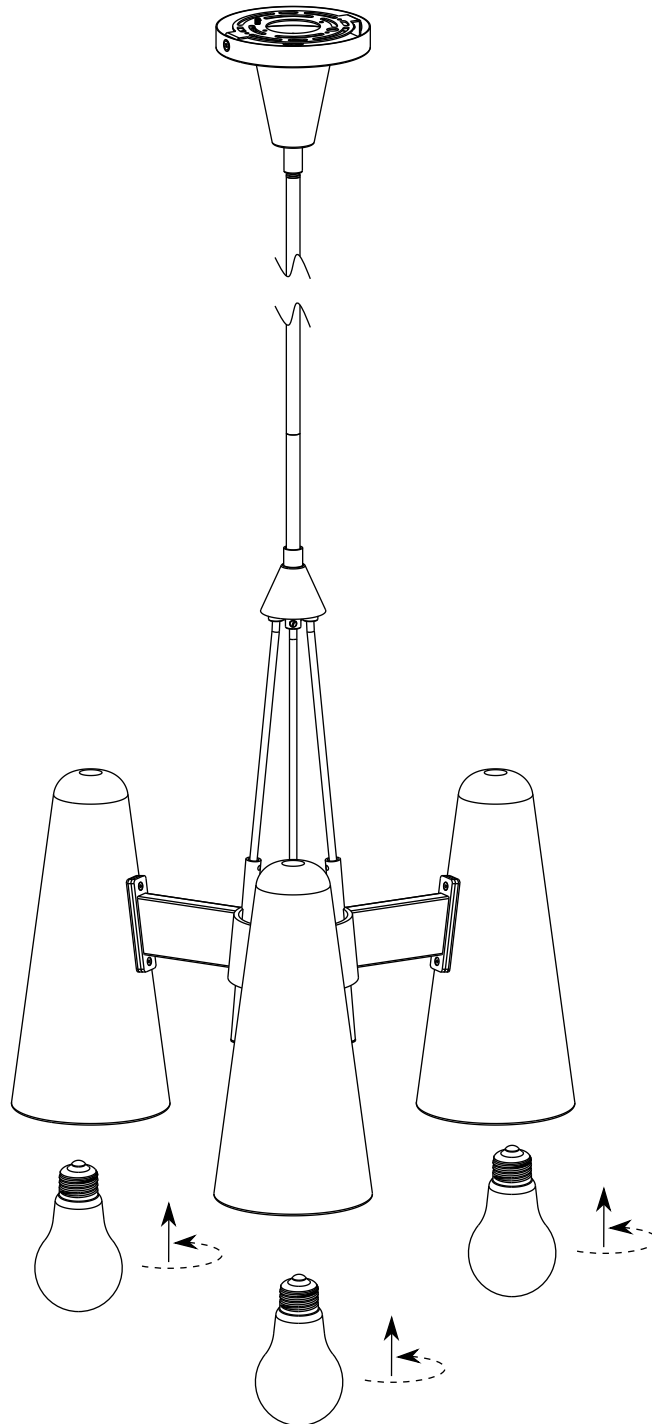


## Step 9

Install the **Three (3)** light bulb according to the wattage label.

(E26, (medium-base) MAX. 60W).

Bulb not included.



**ATTENTION:** To avoid the risk of fire, do not exceed the recommended wattage indicated on the wattage label.



# Great job!

Your new light fixture is ready for use.



## CARING FOR YOUR ITEM

Indoor use only.

Clean using a non-abrasive cloth and a mild cleaner.

Never use harsh chemicals, as they could damage the finish or integrity of the item.

CONNECT WITH US!   

Tag us [@modway\\_furniture](#) and [#modway](#)

for a chance to be featured.

