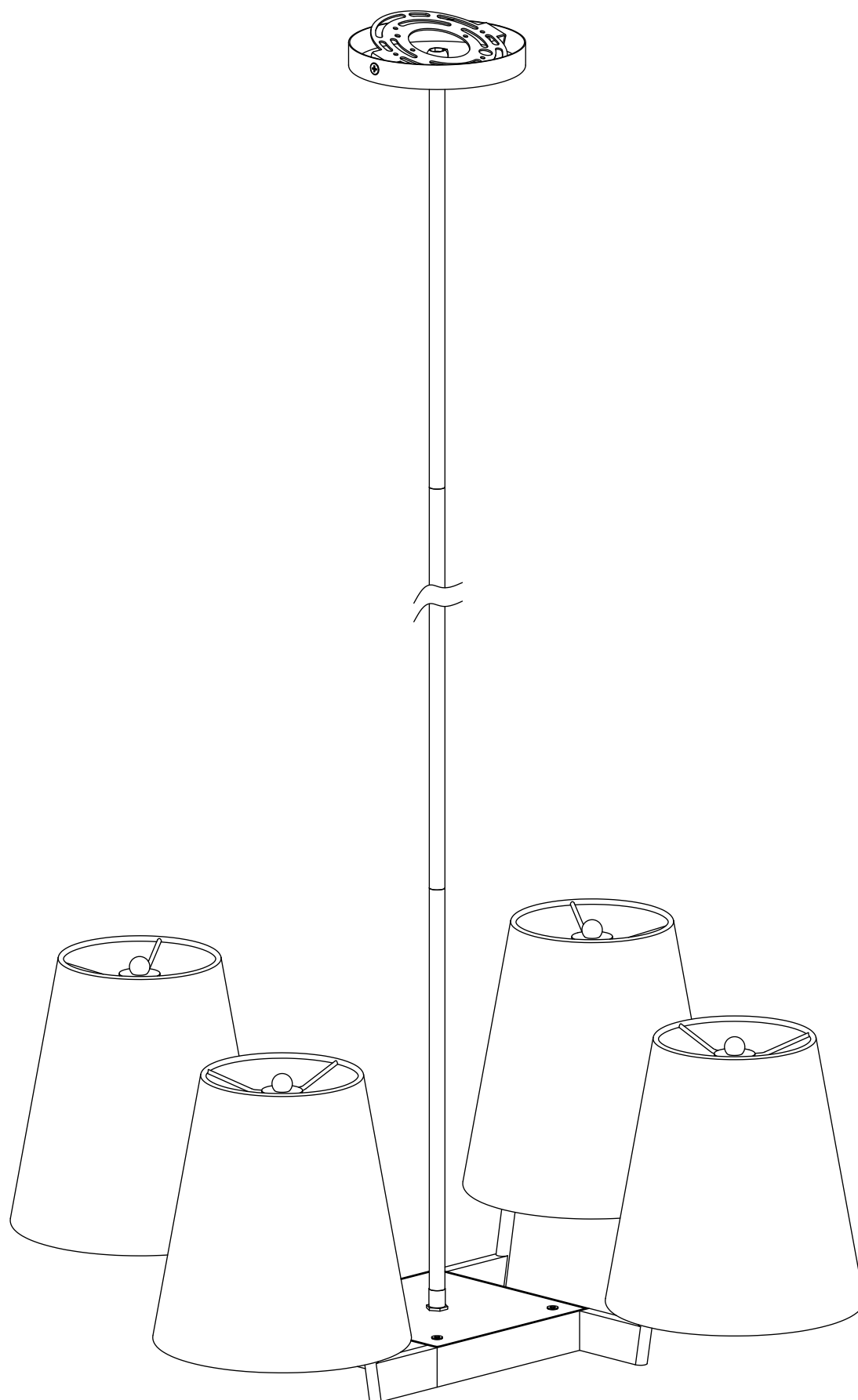


ASSEMBLY INSTRUCTIONS

EEI-5640

V1.08.24.21



Questions? Contact us!

609.256.9000 • cs@modway.com
www.modway.com

***modway**

Let's get started!

*modway



Read through all of the instructions before starting



Make sure you have all parts and components before discarding any packing materials



For hardwiring installation, we suggest hiring a professional electrician.

Do not over-tighten screws and bolts to avoid stripping the hardware or cracking the item.

Keep all components and packaging out of reach of children or animals to avoid risk of choking or suffocation.

Check all parts and hardware for damage. If the product is damaged, it should not be used.

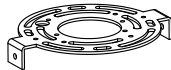
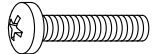
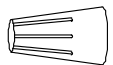
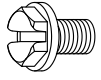
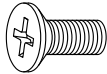
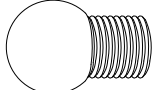
We recommend LED bulbs. LEDs are better for energy consumption and can prolong the life of the fixture.

Installation and electrical connections must follow local and National Electric Code standards.


Ensure the main power supply is OFF before starting work to prevent electrical shock.

Allow the fixture to cool before changing the bulb. Fixture may get hot when in use.

Provided hardware:

A		Mounting Plate (Preassembled)	x1
B		Long Screw	x2
C		Wire Connector	x3
D		Short Green Screw (Preassembled)	x1
E		Side Screw (Preassembled)	x2
F		Finial Screw (Preassembled)	x4

What you need:

-  Phillips Head Screwdriver
- Four (4) E26 (medium-base) Light Bulb (MAX. 60W) Bulb not included.

You may also need:

- +Ladder
- +Electrical Tape
- +Wire Strippers or Cutters
- +Power Drill



CARING FOR YOUR ITEM

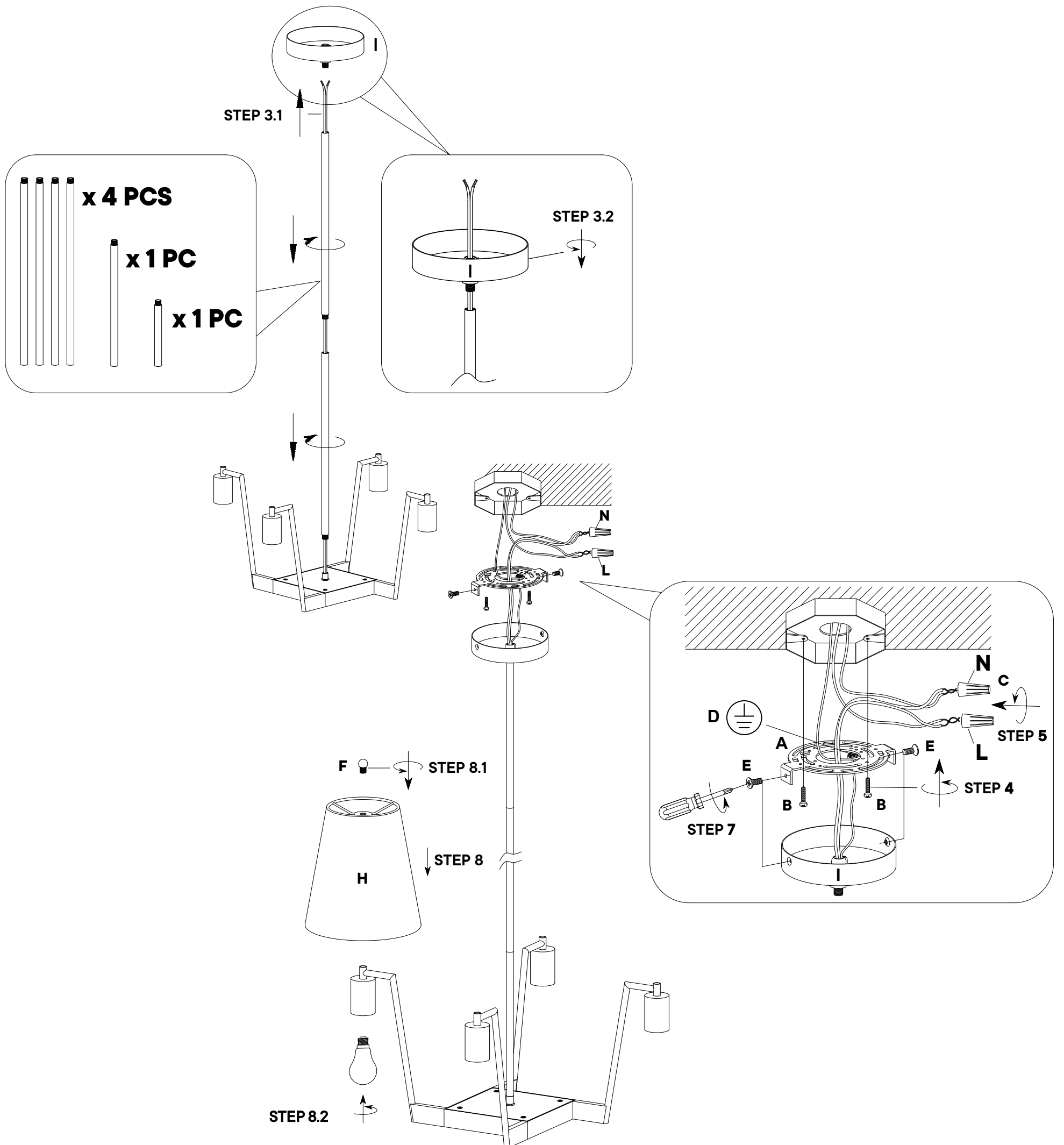
Indoor use only.

Clean using a non-abrasive cloth and a mild cleaner.

Never use harsh chemicals, as they could damage the finish or integrity of the item.

Wait!

Missing parts or hardware? Need assistance?
Contact us before returning your item. We're here to help!
609.256.9000 • cs@modway.com



For safety, please consult a local electrician or code professional before installing your new fixture.

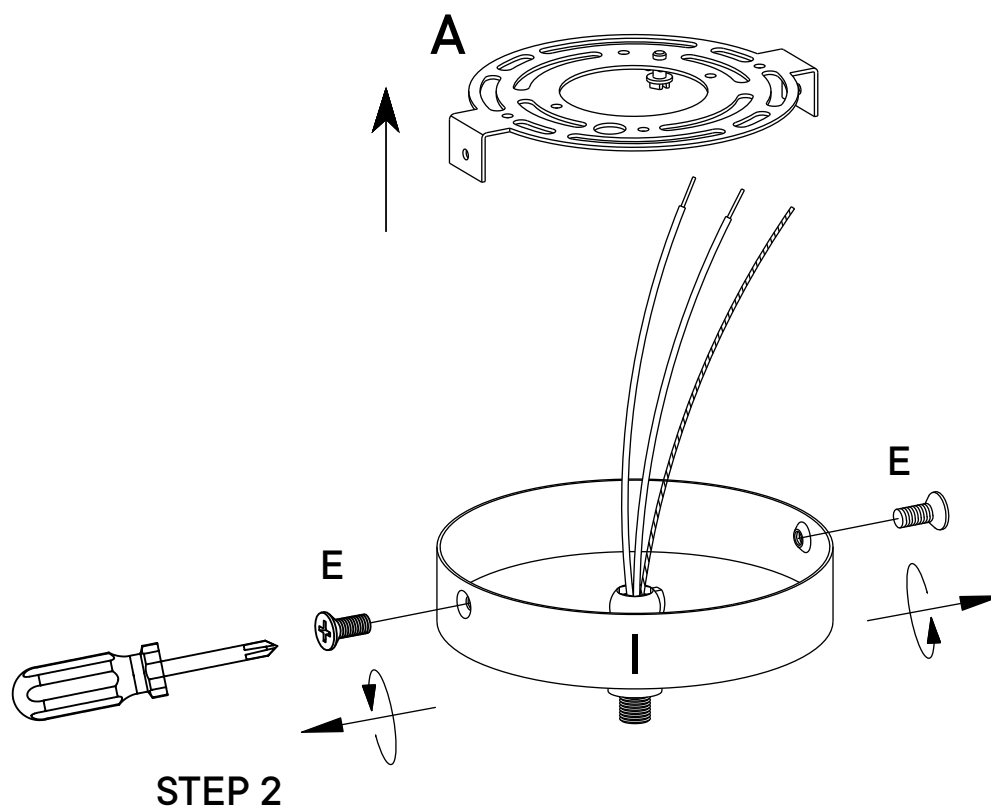
Step 1

Before beginning **TURN OFF POWER** to the light from the fuse or circuit breaker.



Step 2

Dismantle the **Mounting Plate (A)** from the **Ceiling Canopy (I)** by removing the **SideScrew (E)**. Keep the **SideScrew (E)** in a safe place.



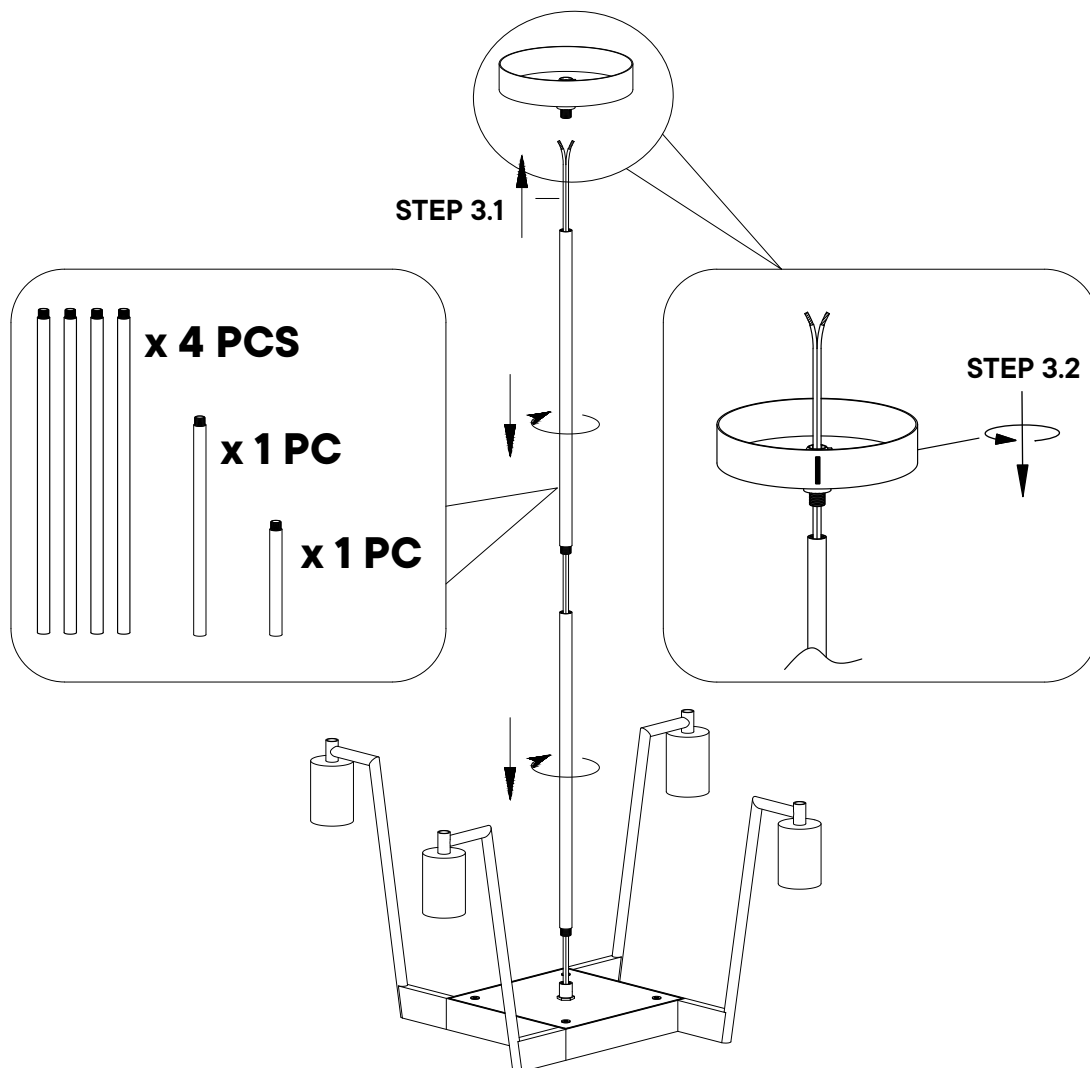
Step 3

Determine your desired total drop of the lamp. The total drop is the distance from the ceiling to where you would like the bottom of the pendant to hang. You may use all rods or the combination of the rod to get your desired lamp height. Once decided, tighten the rod/tube accordingly.

3.1-Slowly push the electrical cord through during each rod assembly.

3.2-Attach and tighten the **Ceiling Canopy (I)** at the rod's end.

3.3-Carefully pull out the electrical cord.



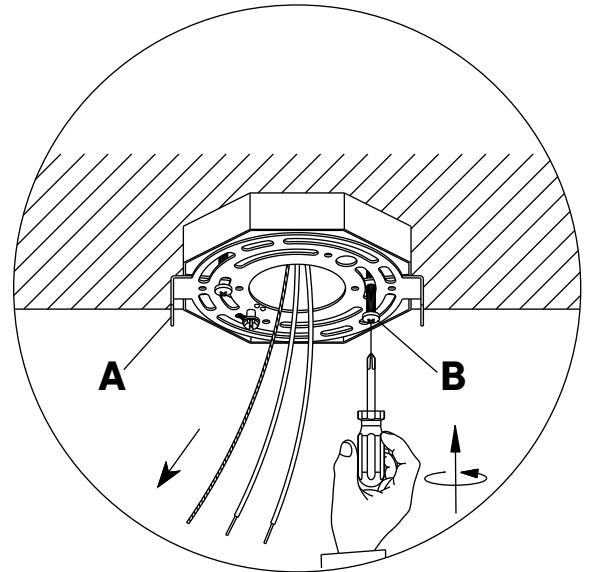
Step 4

HARDWARE

A	Mounting Plate	x1
B	Long Screws	x2

Attach the **Mounting Plate (A)** to the Electrical Box. Insert **Long Screws (B)** into each hole on mounting plate and align with holes in electrical box. Tighten all screws.

Pull out all three wires from the outlet box.



Step 5

HARDWARE

C	Wire Connector	x3
----------	----------------	----

Connect wires with matching polarity.

Attach the wires from the outlet box to the wires from the light fixtures.

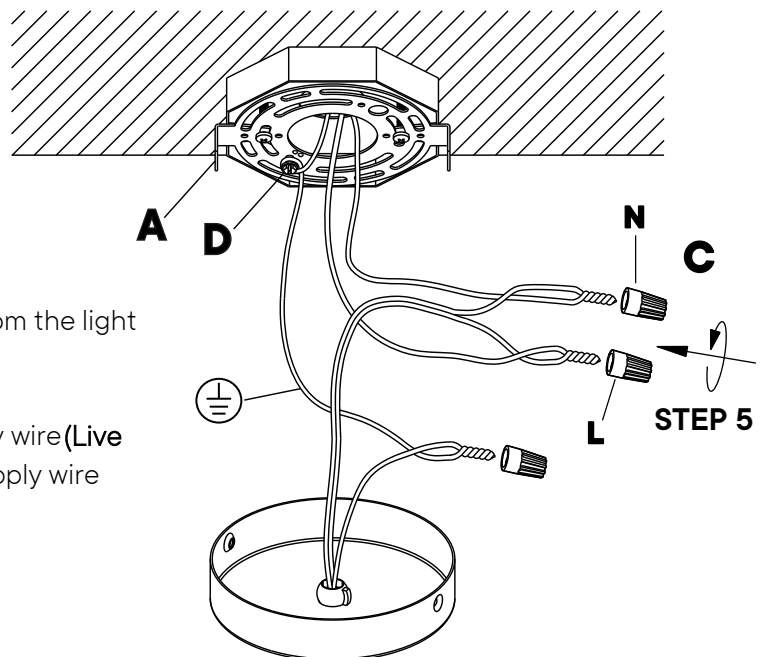
The black fixture wire connector to the black supply wire (**Live Wire (L)**) and the white fixtures wire to the white supply wire (**Neutral Wire (N)**).

Connect the copper ground wire to ground wire.

Secure each connection using a **Wire Connector (C)**.

If there is no supply ground wire, attach the copper fixture wire to **Short Green Screw (D)** at the **Mounting Plate (A)** to ground.

Make the appropriate electrical connection according to your local state, and/or country code requirements.



Step 6

Continue to support fixture. Make sure all connected wires are carefully placed inside of box and canopy.

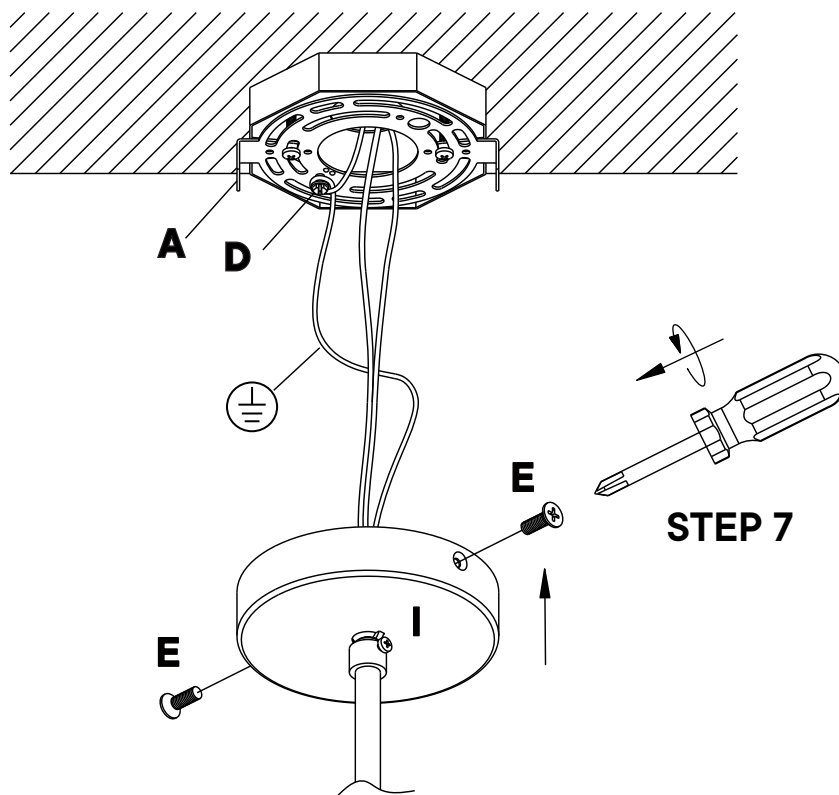


Step 7

HARDWARE

E Side Screw x2

Attach the Ceiling Canopy (I) to the Mounting Plate (A) by securing the Side Screw (E).



Step 8

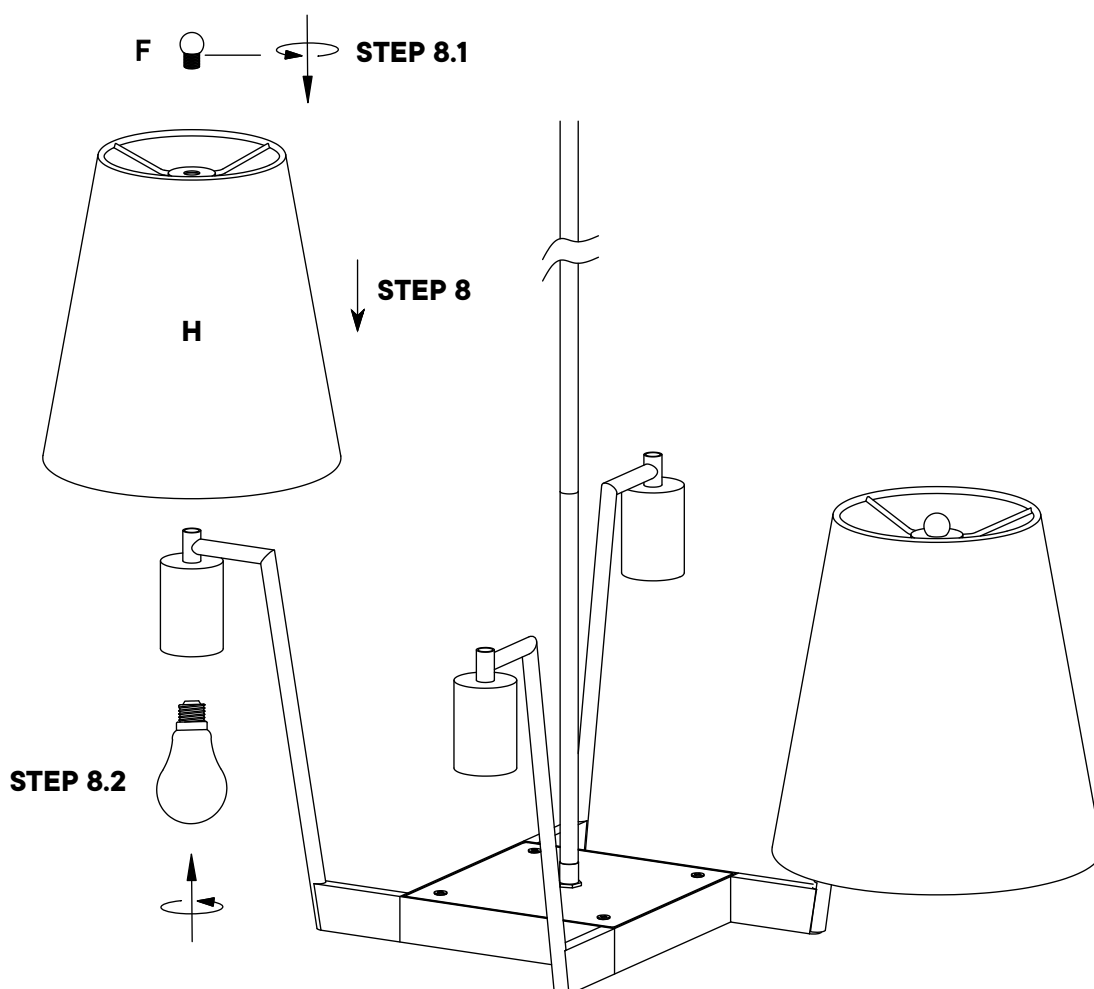
8-Place the Lamp Shade (H) on each arm.

8.1-Using Finial Screw (F) secure the Lamp Shade (H).

8.2-Install the (4) Four light bulb according to the wattage label (E26, MAX. 60W).
Bulb not included.

HARDWARE

F Finial Screws X 4



ATTENTION: To avoid the risk of fire, do not exceed the recommended wattage indicated on the wattage label.

Great job!

Your new pendant light fixture is ready for use.



CARING FOR YOUR ITEM

Indoor use only.

Clean using a non-abrasive cloth and a mild cleaner.

Never use harsh chemicals, as they could damage the finish or integrity of the item.

CONNECT WITH US!



Tag us @modway_furniture and #modway for a chance to be featured.

