

Dotta / Dotta 2 Seater Sofa / SOFA

Thank you for purchasing the MODWAY Dotta 2 Seater Sofa

Before you start, here are some helpful advice:

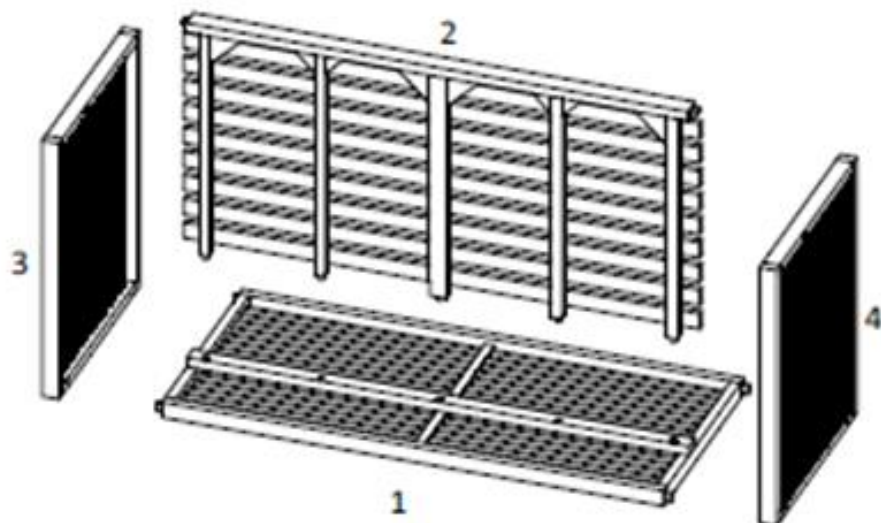
1. We suggest you spend a short time reading through this leaflet and then follow the simple step-by-step instructions.
2. Owing to the size and weight of the sofa, we recommend that it is assembled by two adults, on a carpeted or padded area, in the room that it is intended for. Approximate assembly time: 40 minutes.
3. Please do not use any tools other than those provided or recommended in these instructions.
4. Please do not throw away any of the packaging or the instruction until you have checked all the components and hardware and the furniture is fully assembled. Please ensure that the packaging is disposed of in a safe and environmentally friendly way.
5. Assemble all components loosely until advised to tighten. Depending on use, it may be necessary to tighten the components from time to time, so please save the tools that have been provided.
6. Please keep all fitting out of reach of children.

Dotta
Dotta 2 Seater Sofa

**Hardware :**

- | | | | |
|----|--|-------------------------|-------|
| A. |  | Connecting Bolt M6x70mm | 6 Pcs |
| B. |  | Allen Key M6 | 1 Pcs |

Dotta
Dotta 2 Seater Sofa

**Components :**

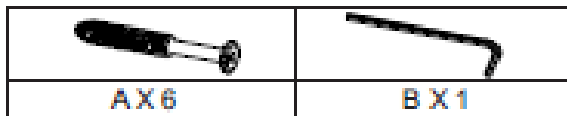
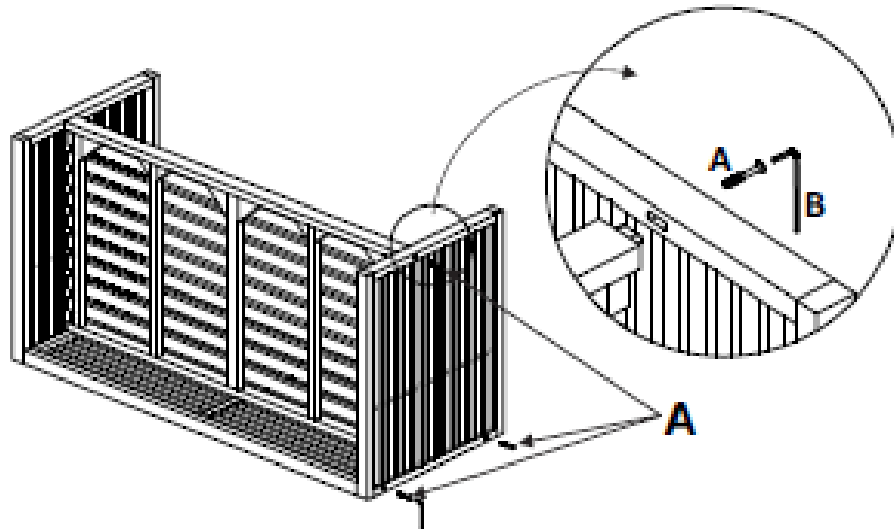
1. backrest x1 2. Seat x1 3. Left Arm x1 4. Right Arm x1

Dotta / Dotta 2 Seater Sofa / SOFA

*modway

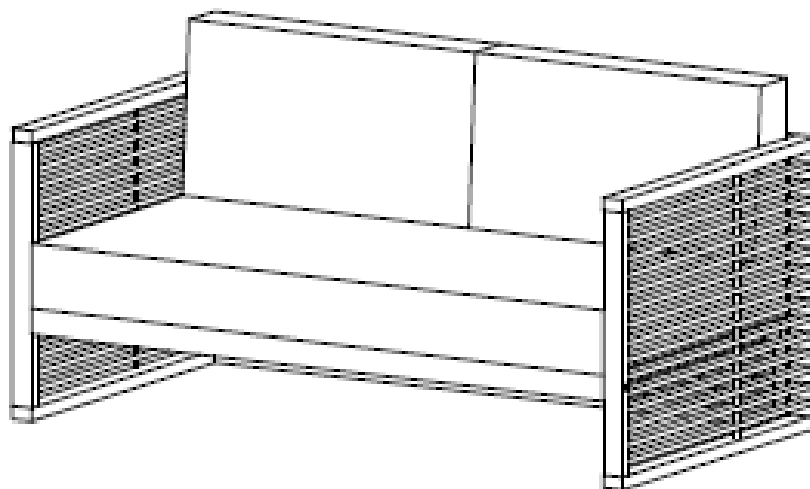
STEP 3 :

then take the **Right Arm (4)**. Insert the tenon according to the picture, then secure it using the **Connecting Bolt (A)**. do it carefully.



STEP 4 :

All components have been installed, then attach the cushion according to the selected color.



Assembly is complete...
Your sofa is ready to enjoy now!

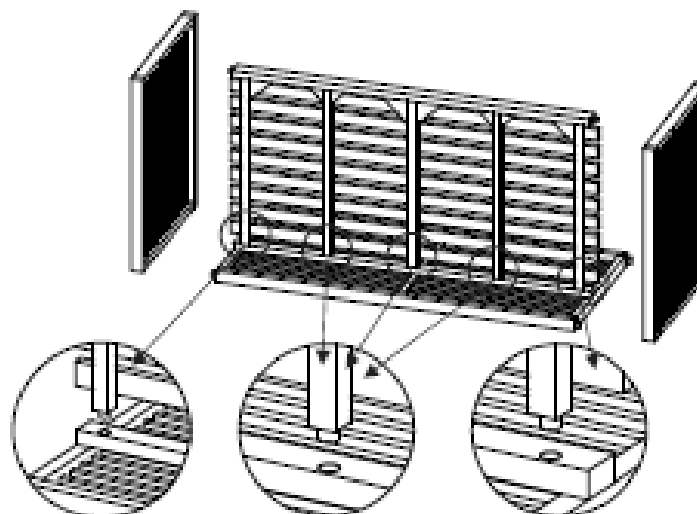
Dotta / Dotta 2 Seater Sofa / SOFA

*modway

STEP 1 :

Put backrest (1)

Place the backrest (1) on a carpeted or padded surface. then place the Seat (2) above the backrest as shown. pay attention to the details of the image, make sure the tenon section fits into the hole.



1. backrest x1 2. Seat x1 3. Left Arm x1 4. Right Arm x1

STEP 2 :

then take the Left Arm (3). Insert the tenon according to the picture, then secure it using the Connecting Bolt (A). do it carefully.

