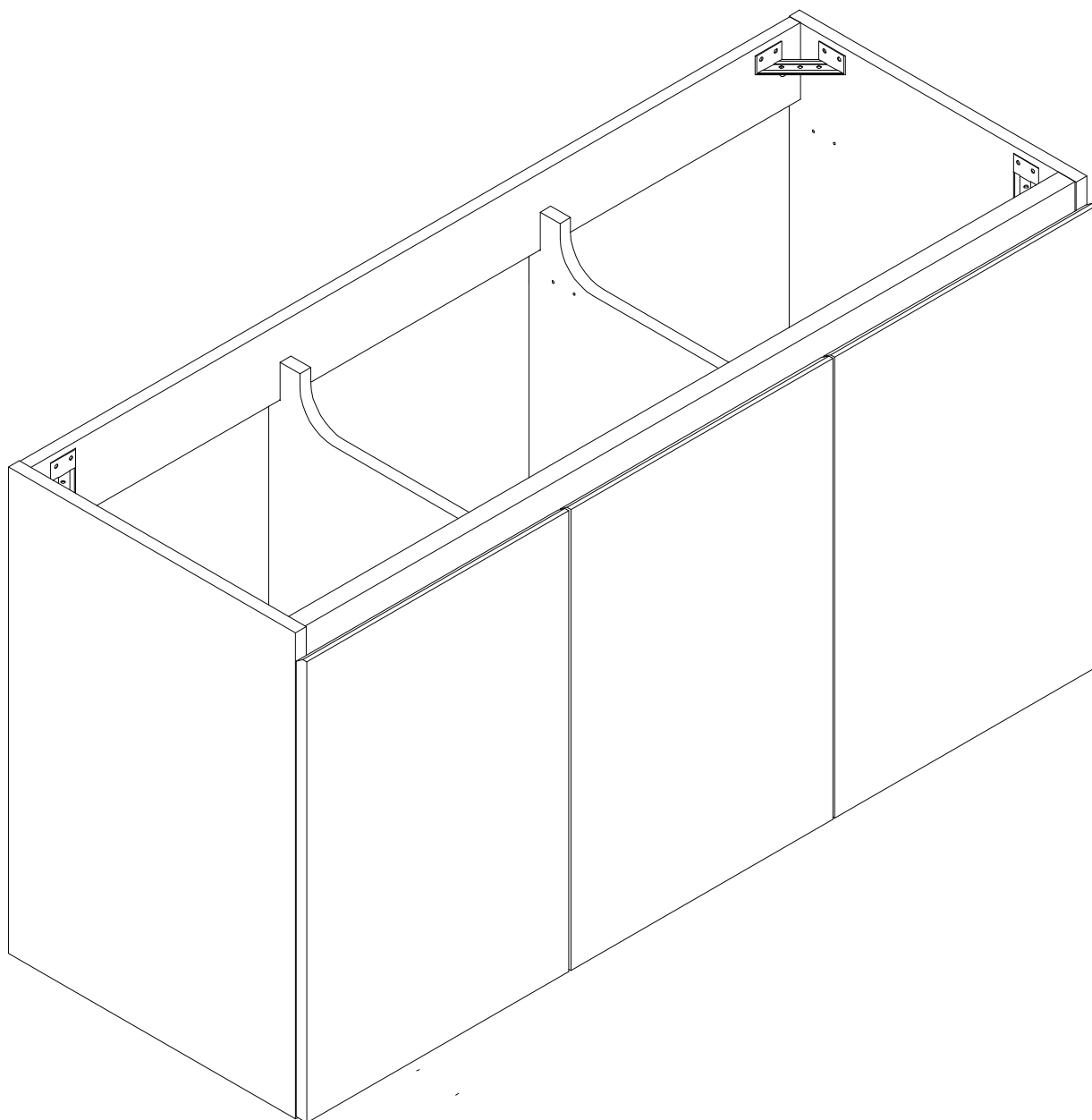


ASSEMBLY INSTRUCTIONS

EEI-5560

V1.05.20.21



Questions? Contact us!

609.256.9000 • cs@modway.com
www.modway.com

*modway

Let's get started!

*modway



Read through all of the instructions before starting



Care instructions are listed in the last step of this manual



Approx. 120 minutes assembly time



Make sure you have all parts and components before discarding any packing materials



2 people recommended for assembly

Only use hand tools to assemble this item. Do not use power tools. Do not tighten bolts or screws completely until all hardware is lined up and inserted into the holes.

Do not over-tighten screws and bolts to avoid stripping the hardware or cracking the item.

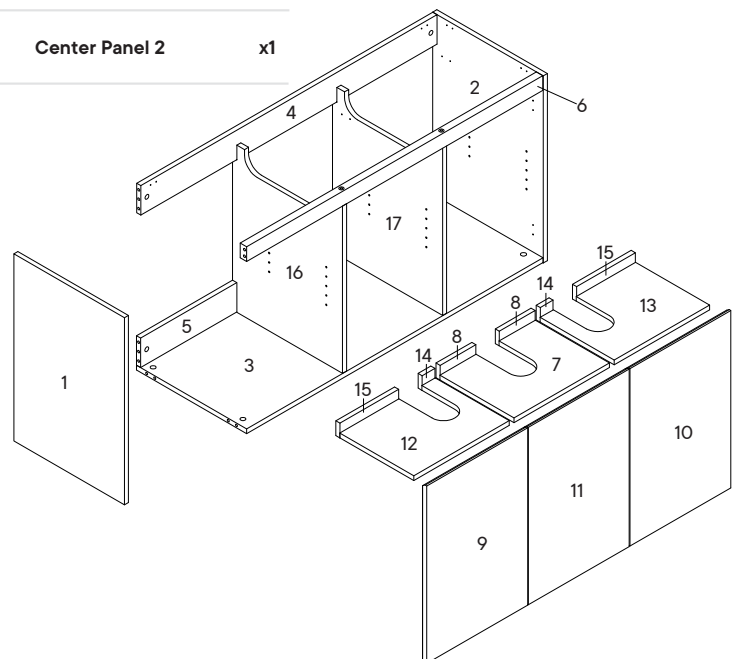
For vanity and plumbing installation, we suggest hiring a professional contractor and plumber.

Assemble your item on a flat, carpeted area, with plenty of space to work. This will prevent damage and scratches to your floors or the item while you're assembling the product.

Keep all components and packaging out of reach of children or animals to avoid risk of choking or suffocation.

Furniture components:

1	Left Side Panel	x1	9	Door Panel Left	x1
2	Right Side Panel	x1	10	Door Panel Right	x1
3	Bottom Panel	x1	11	Door Panel Center	x1
4	Back Panel 1	x1	12	Shelf Support 2	x1
5	Back Panel 2	x1	13	Shelf Support 3	x1
6	Front Support	x1	14	Base Panel 2	x2
7	Shelf Support 1	x1	15	Base Panel 3	x2
8	Base Panel 1	x2	16	Center Panel 1	x1
			17	Center Panel 2	x1



Provided hardware:

A		Wood Dowel M8 x 25mm	x14	H		Corner Bracket	x4	O		Hex Wrench	x1
B		Cam Bolt Ø6 x 24mm	x10	I		Bracket/L-Hanger	x2	P		Rubber Pad	x8
C		Cam Lock Ø15	x10	J		Bracket/R-Hanger	x2				
D		Screw 9 x 38mm	x22	K		Screw 4 x 28mm	x8				
E		Shelf Support	x12	L		Door Hinge (Half Overlay)	x2				
F		Screw 4 x 14mm	x52	M		Screw 6 x 70mm	x2				
G		Door Hinge (Full Overlay)	x4	N		Barrel Nut	x2				

What you need:

Phillips Head Screwdriver

You may also need:

- + Power Drill
- + Level
- + Silicone Adhesive or Caulk
- + Drywall Anchors and Screws
- + Other Wall-Mounting Hardware

Wait!

Missing parts or hardware? Need assistance?
Contact us before returning your item. We're here to help!
609.256.9000 • cs@modway.com

Step 1

HARDWARE

A Wood Dowel M8 x 25mm x14

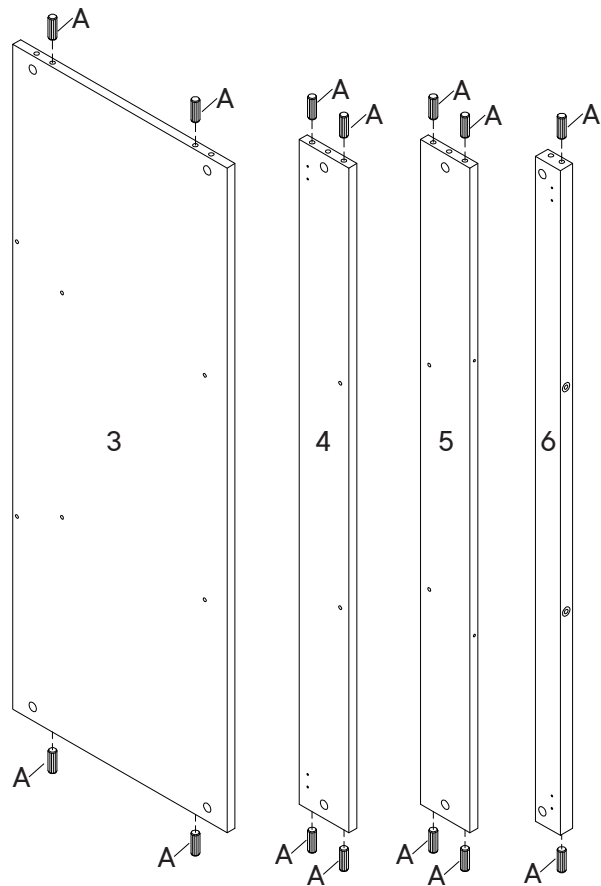
COMPONENTS

3 Bottom Panel x1

4 Back Panel 1 x1

5 Back Panel 2 x1

6 Front Support x1



Step 2

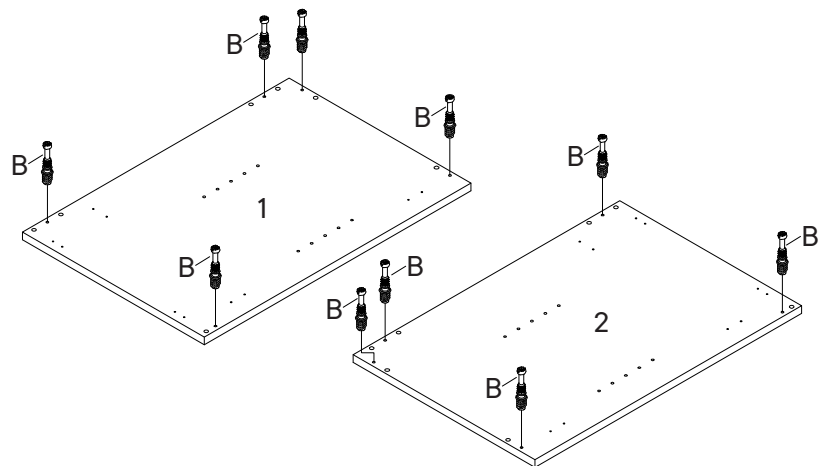
HARDWARE

B Cam Bolt $\varnothing 6 \times 24\text{mm}$ x10

COMPONENTS

1 Left Side Panel x1

2 Right Side Panel x1



Step 3

HARDWARE

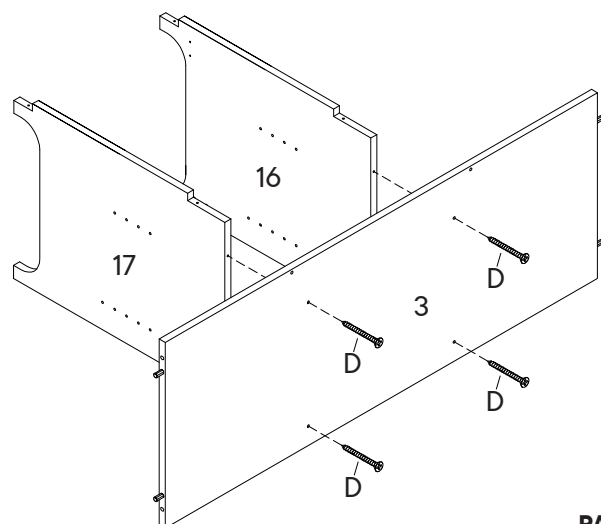
D Screw #9 x 38mm x4

COMPONENTS

3 Bottom Panel x1

16 Center Panel 1 x1

17 Center Panel 2 x1



Step 4

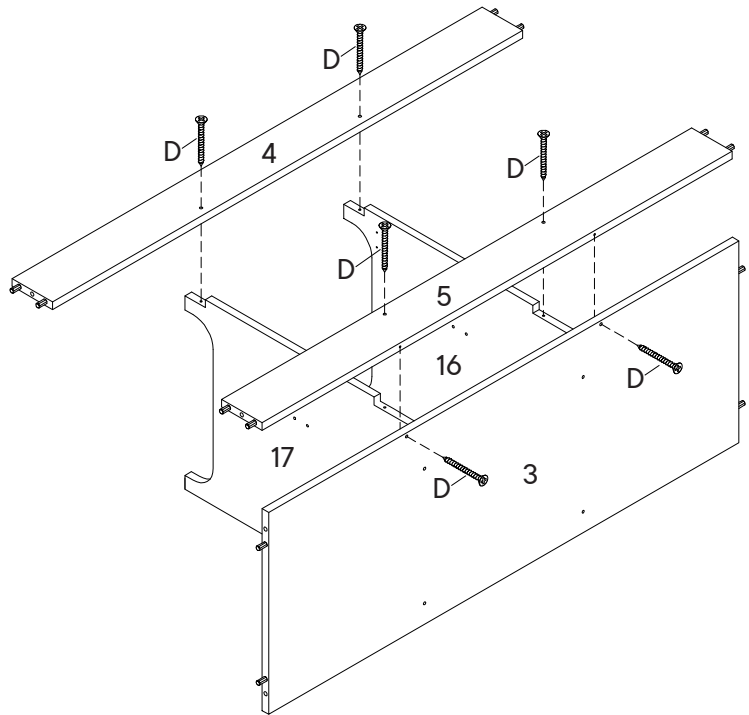
HARDWARE

D Screw #9 x 38mm x6

COMPONENTS

4 Back Panel 1 x1

5 Back Panel 2 x1



Step 5

HARDWARE

M Screw 6 x 70mm x2

N Barrel Nut x2

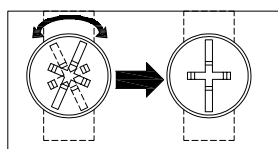
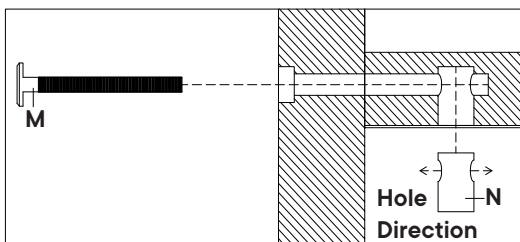
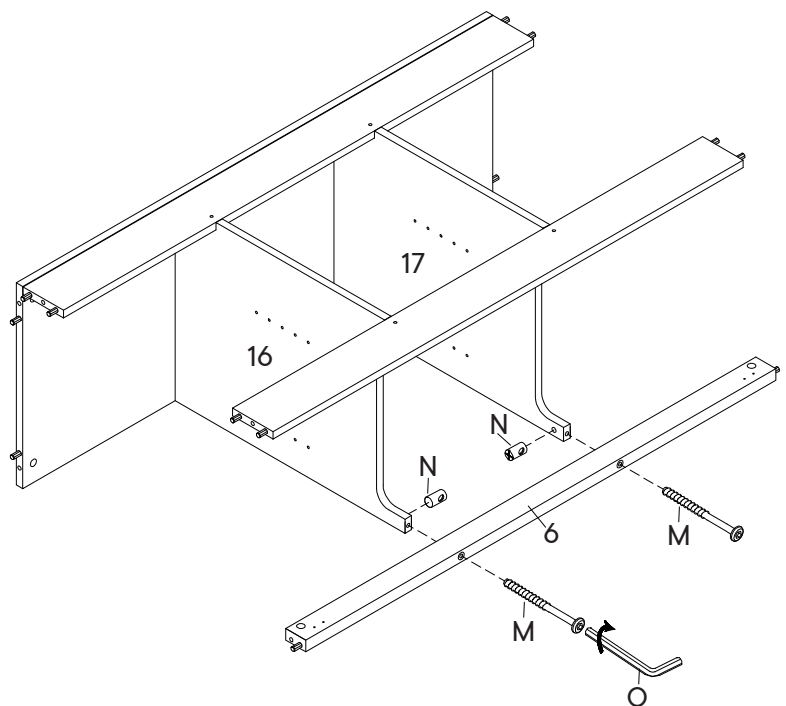
O Hex Wrench x1

COMPONENTS

6 Front Support x1

16 Center Panel 1 x1

17 Center Panel 2 x1



Adjust Barrel Nut (R) by using screwdriver if necessary !

Step 6

HARDWARE

Ⓢ Cam Lock Ø15 x5

COMPONENTS

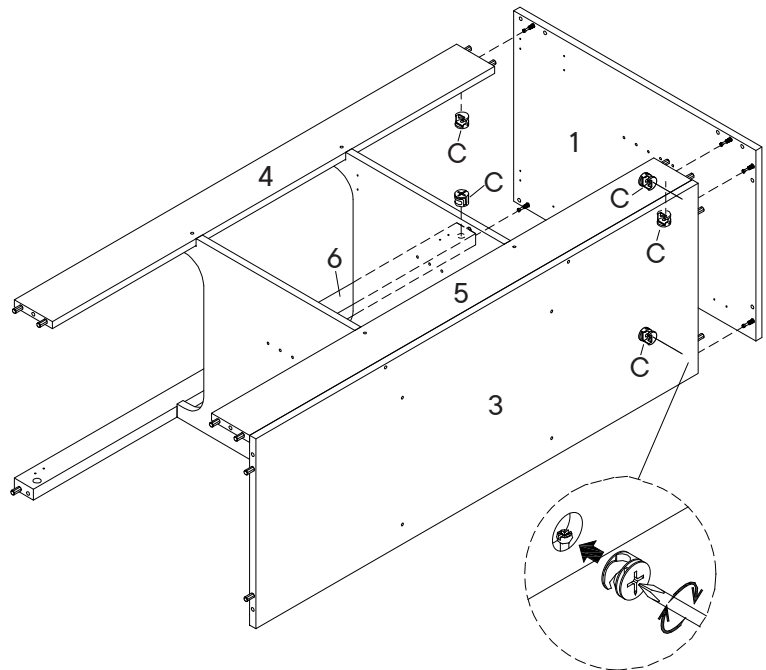
① Left Side Panel x1

③ Bottom Panel x1

④ Back Panel 1 x1

⑤ Back Panel 2 x1

⑥ Front Support x1



Step 7

HARDWARE

Ⓢ Cam Lock Ø15 x5

COMPONENTS

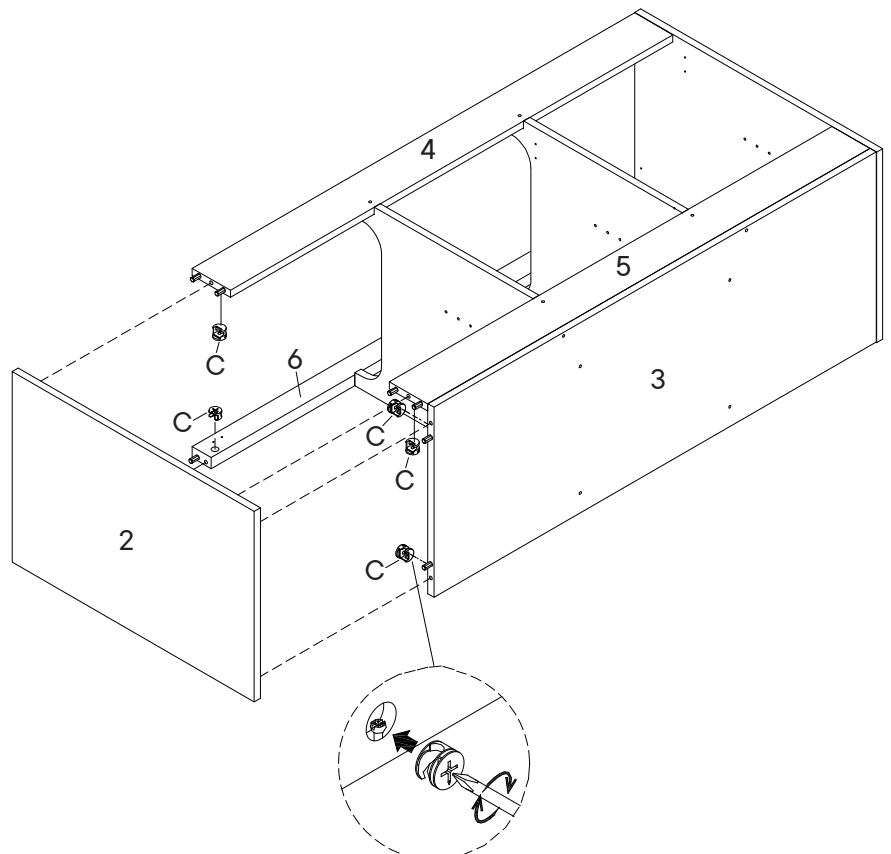
② Right Side Panel x1

③ Bottom Panel x1

④ Back Panel 1 x1

⑤ Back Panel 2 x1

⑥ Front Support x1



Step 8

HARDWARE

E Shelf Support x12

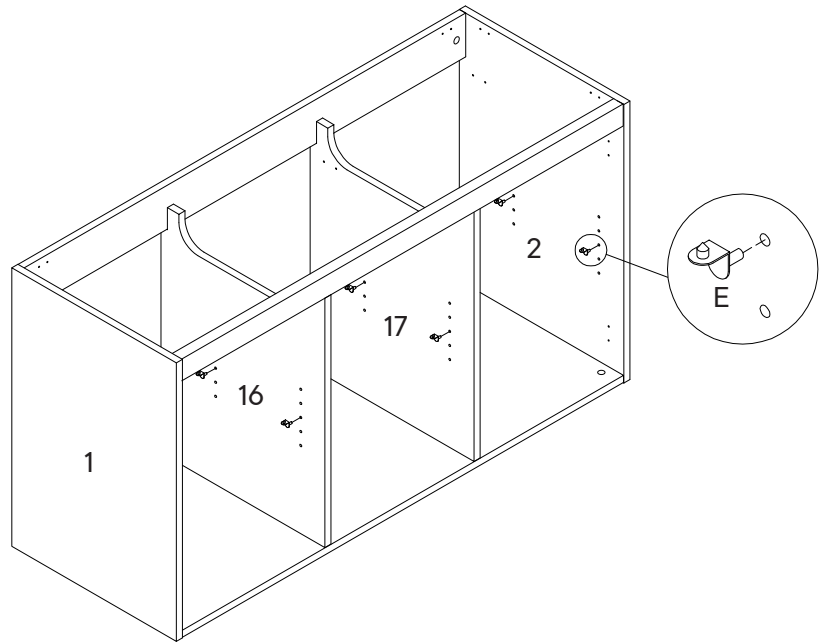
COMPONENTS

1 Left Side Panel x1

2 Right Side Panel x1

16 Center Panel 1 x1

17 Center Panel 2 x1



Step 9

HARDWARE

D Screw #9 x 38mm x12

COMPONENTS

7 Shelf Panel 1 x1

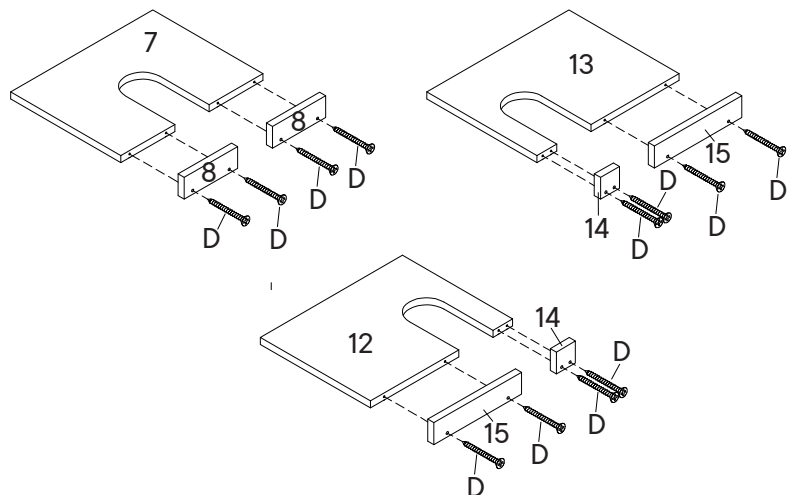
8 Base Panel 1 x2

12 Shelf Panel 2 x1

13 Shelf Panel 3 x1

14 Base Panel 2 x2

15 Base Panel 3 x2



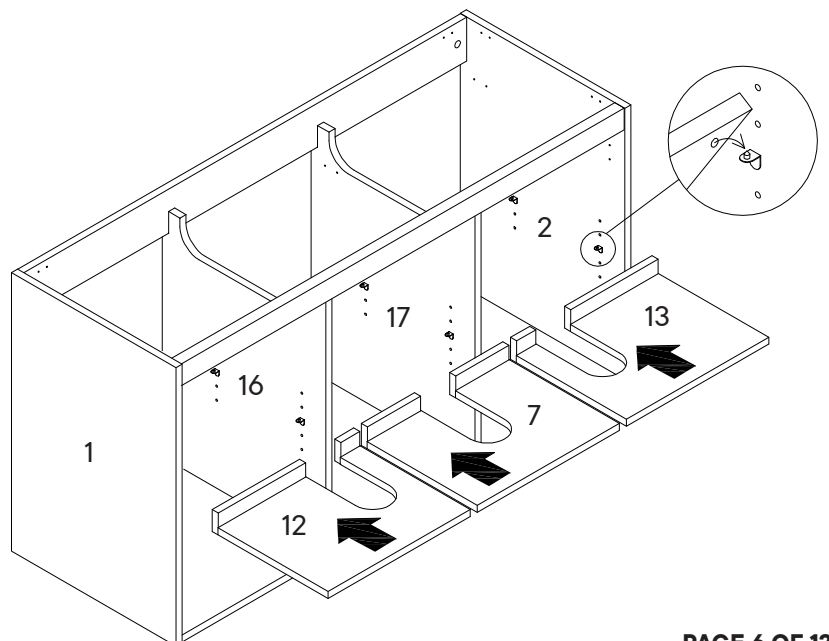
Step 10

COMPONENTS

7 Shelf Panel 1 x1

12 Shelf Panel 2 x1

13 Shelf Panel 3 x1



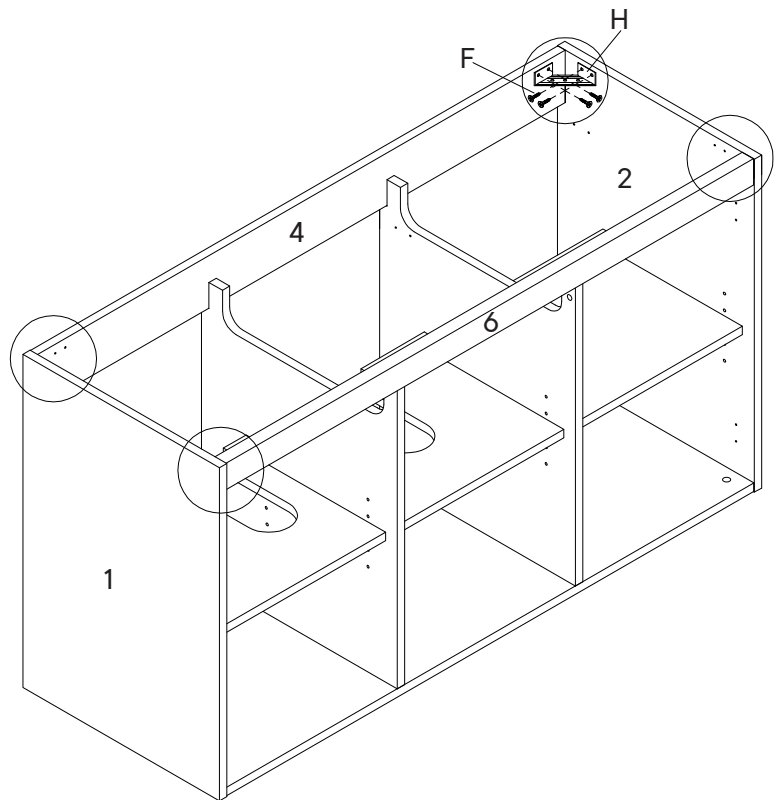
Step 11

HARDWARE

- F** Screw 4 x 14mm x16
- H** Corner Bracket x4

COMPONENTS

- 1** Left Side Panel x1
- 2** Right Side Panel x1
- 4** Back Panel 1 x1
- 6** Front Support x1



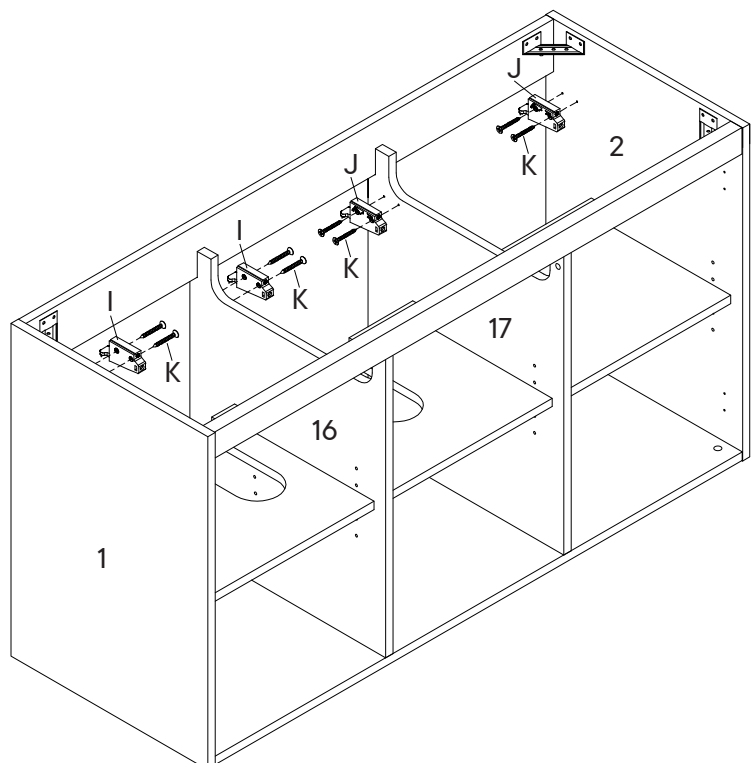
Step 12

HARDWARE

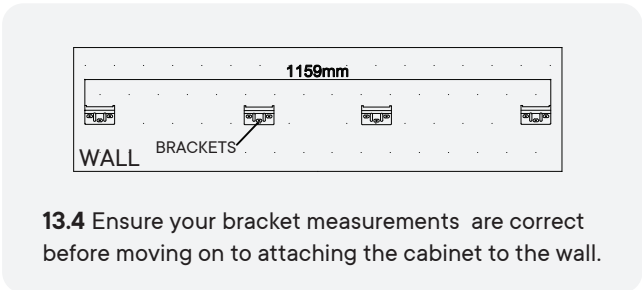
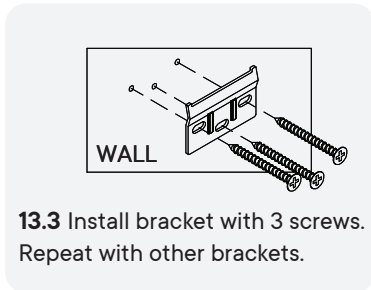
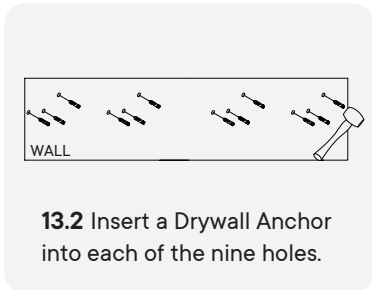
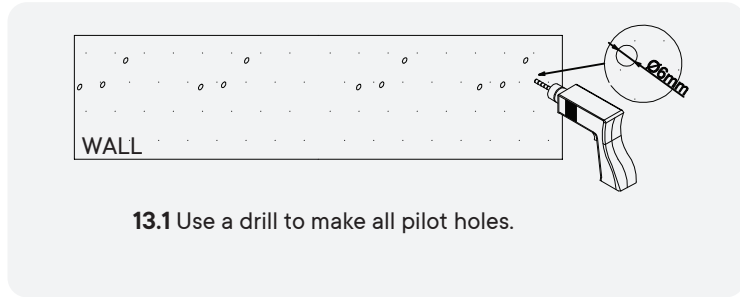
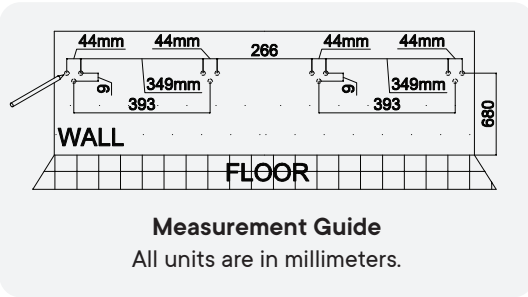
- I** Bracket/L-Hanger x2
- J** Bracket/R-Hanger x2
- K** Screw 4 x 28mm x8

COMPONENTS

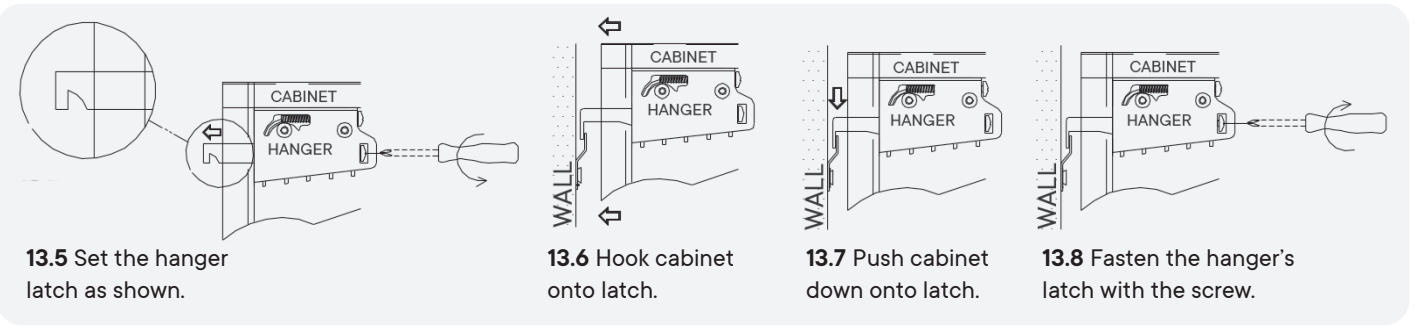
- 1** Left Side Panel x1
- 2** Right Side Panel x1
- 16** Center Panel 1 x1
- 17** Center Panel 2 x1



Wall Bracket Installation Guide

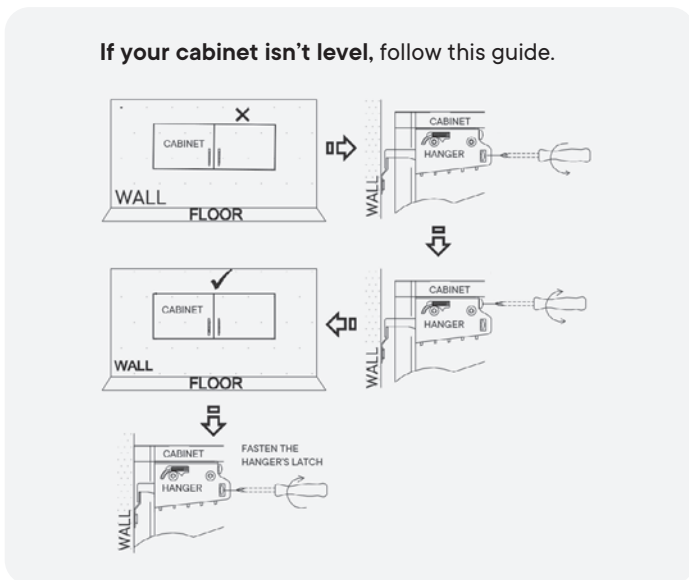


Cabinet-to-Wall Installation Guide

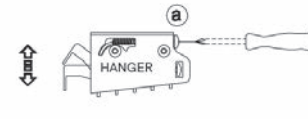


Is the cabinet not hanging quite right?

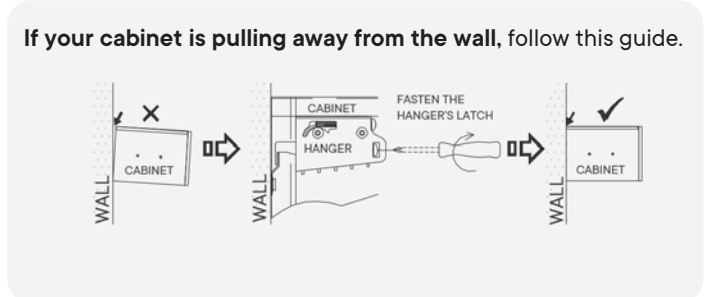
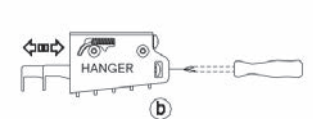
Here are some adjustment tips.



Adjustment Screw A



Adjustment Screw B



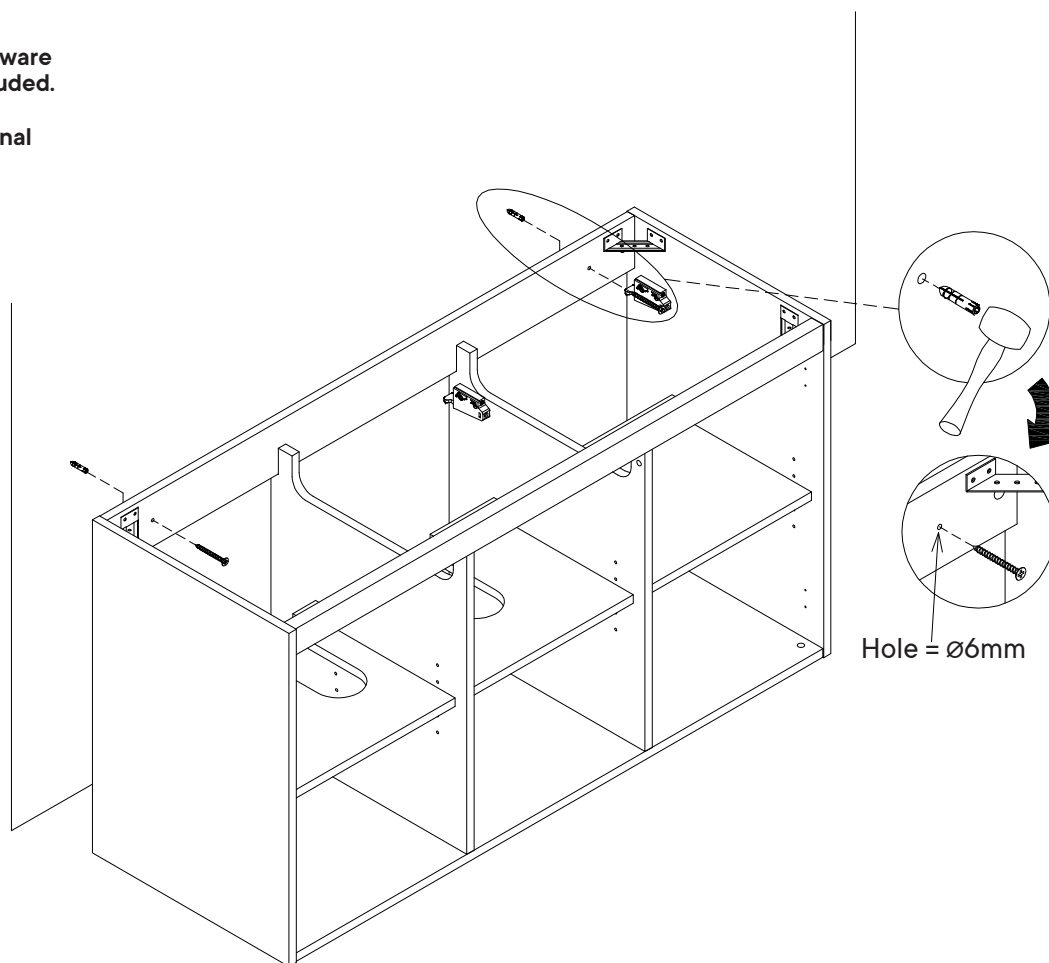
13.9 Once the cabinet is installed and adjusted, install the latch covers.



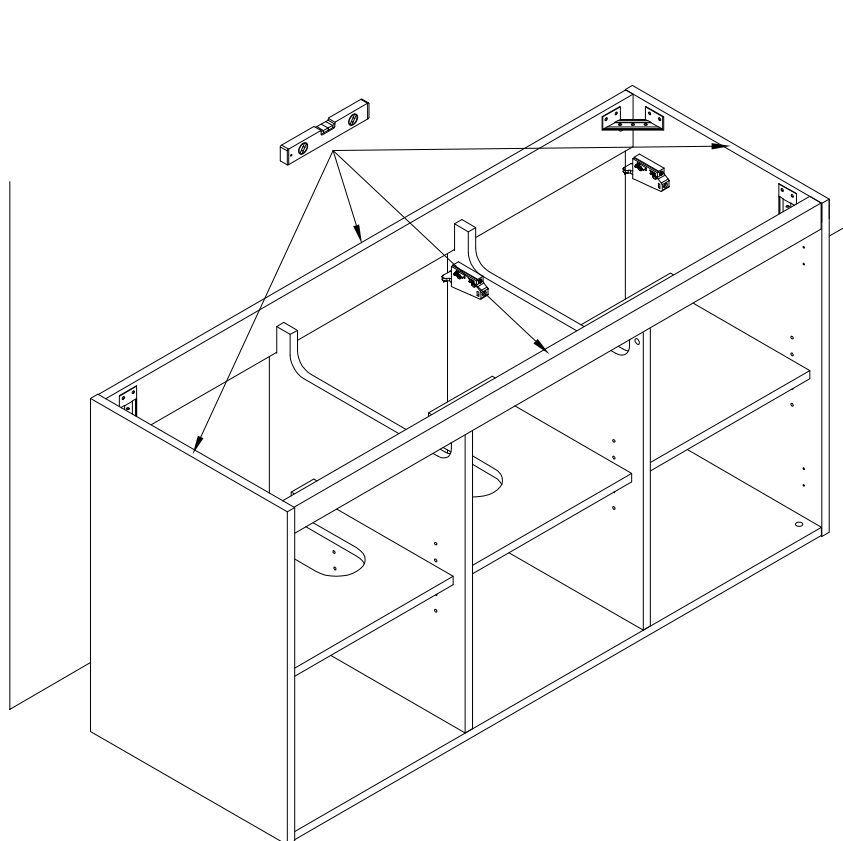
Step 14

NOTE: Mounting hardware and tools are not included.

We suggest professional installation.



Step 15



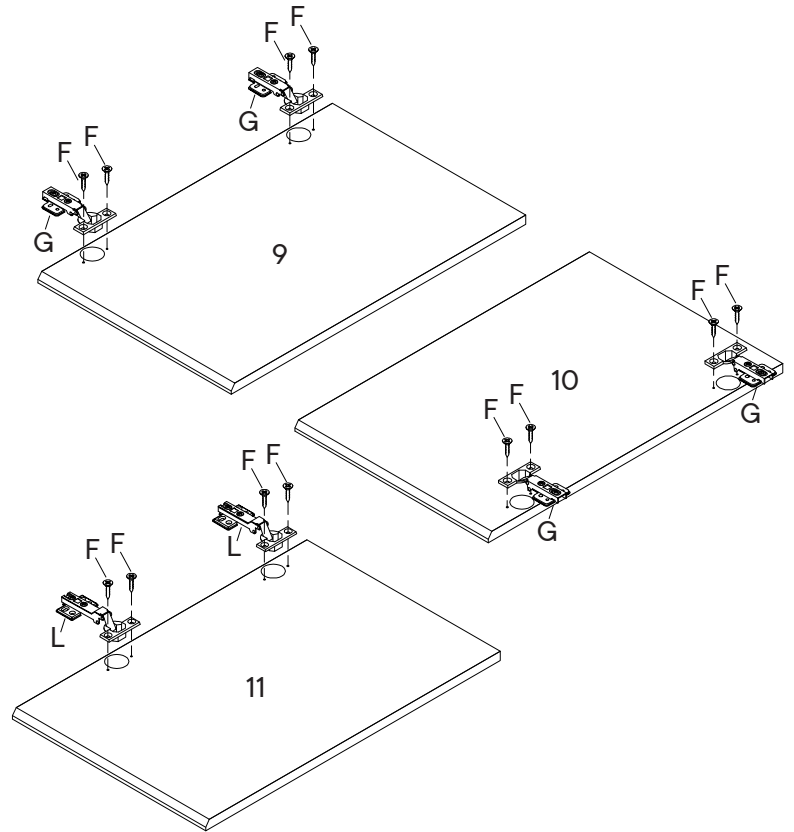
Step 16

HARDWARE

- F** Screw 4 x 14mm x12
- G** Door Hinge (Full Overlay) x4
- L** Door Hinge (Half Overlay) x2

COMPONENTS

- 9** Door Panel Left x1
- 10** Door Panel Right x1
- 11** Door Panel Center x1



Step 17

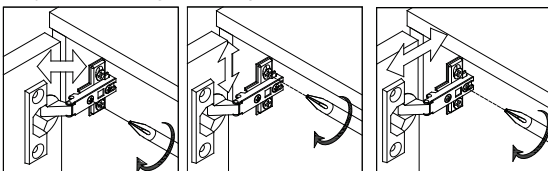
HARDWARE

- F** Screw 4 x 14mm x24
- P** Rubber Pad x8

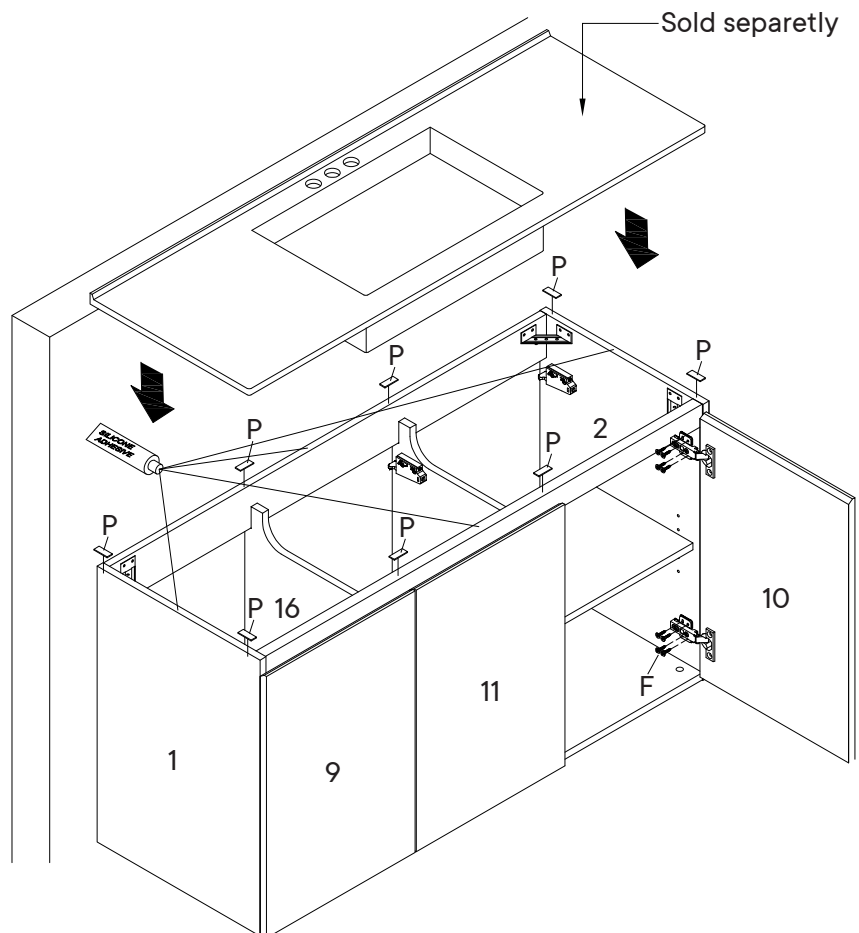
COMPONENTS

- 9** Door Panel Left x1
- 10** Door Panel Right x1
- 11** Door Panel Center x1

Adjust the hinges, if required.

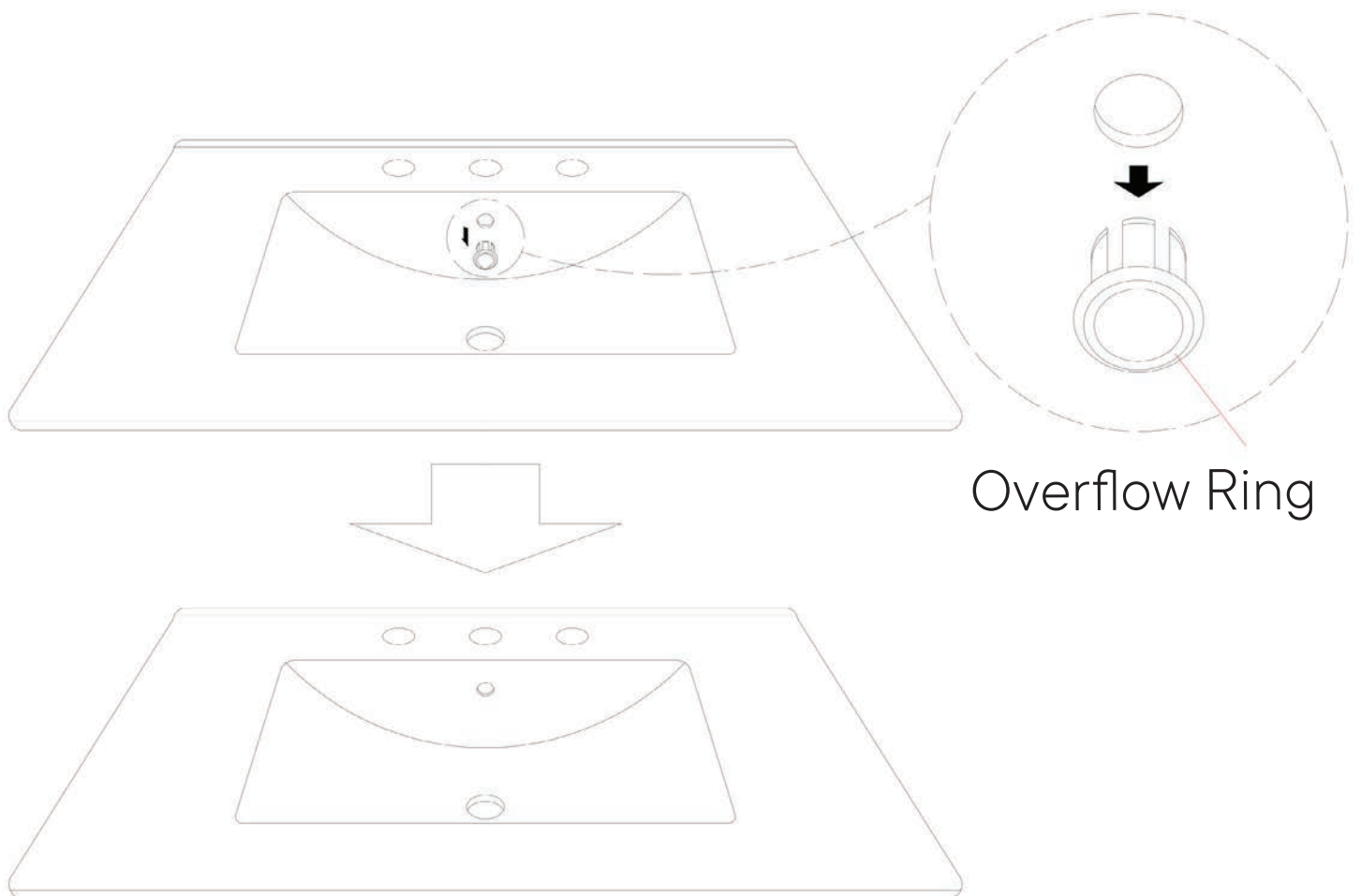


Adjust laterally Adjust height Adjust depth



A quick note...

Your sink basin comes complete with a silver overflow ring.
If you'd like to remove this overflow ring, you can do so by hand.



Wait!

Missing parts or hardware? Need assistance?
Contact us before returning your item. We're here to help!
609.256.9000 • cs@modway.com

Great job!

Cabinet assembly is complete and ready for sink installation.

♥ CARING FOR YOUR ITEM

Indoor use only.

Not contract grade.

Clean using a non-abrasive cloth and a mild cleaner.

Never use harsh chemicals, as they could damage the finish or integrity of the item.

CONNECT WITH US!   

Tag us @modway_furniture and #modway for a chance to be featured.

