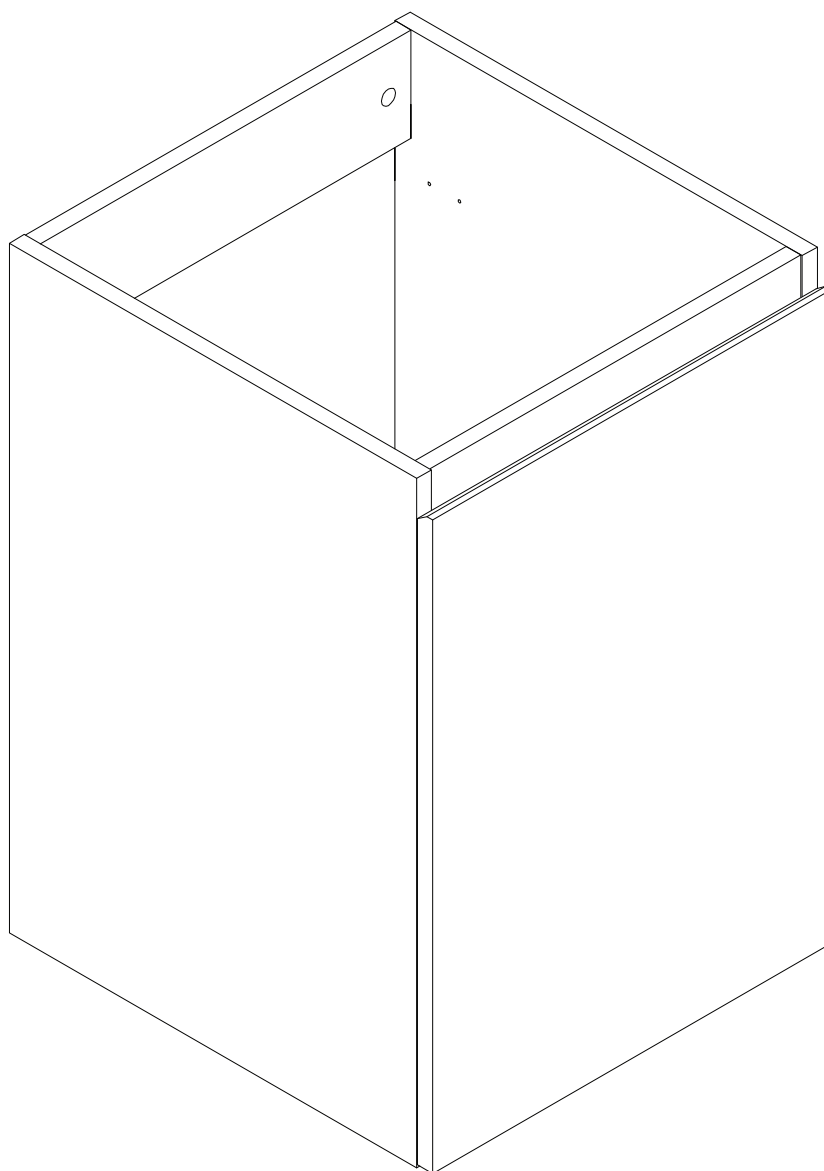


ASSEMBLY INSTRUCTIONS

EEI-5556

V1.05.20.21



Questions? Contact us!

609.256.9000 • cs@modway.com
www.modway.com

***modway**

Let's get started!

*modway



Read through all of the instructions before starting



Care instructions are listed in the last step of this manual



Approx. 60 minutes assembly time



Make sure you have all parts and components before discarding any packing materials



2 people recommended for assembly

Only use hand tools to assemble this item. Do not use power tools. Do not tighten bolts or screws completely until all hardware is lined up and inserted into the holes.

Do not over-tighten screws and bolts to avoid stripping the hardware or cracking the item.

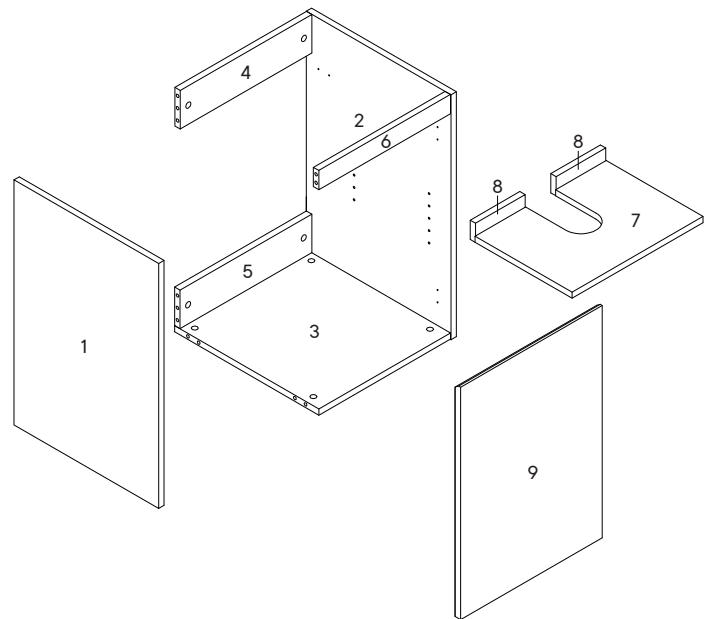
For vanity and plumbing installation, we suggest hiring a professional contractor and plumber.

Assemble your item on a flat, carpeted area, with plenty of space to work. This will prevent damage and scratches to your floors or the item while you're assembling the product.

Keep all components and packaging out of reach of children or animals to avoid risk of choking or suffocation.

Furniture components:

1	Left Side Panel	x1	6	Front Support	x1
2	Right Side Panel	x1	7	Shelf Support	x1
3	Bottom Panel	x1	8	Base Panel	x2
4	Back Panel 1	x1	9	Door Panel	x1
5	Back Panel 2	x1			



Provided hardware:

A		Wood Dowel M8 x 25mm	x14	G		Door Hinge	x2
B		Cam Bolt Ø6 x 24mm	x10	H		Bracket/L-Hanger	x1
C		Cam Lock Ø15	x10	I		Bracket/R-Hanger	x1
D		Screw 9 x 38mm	x4	J		Screw 4 x 28mm	x4
E		Shelf Support	x4	K		Rubber Pad	x4
F		Screw 4 x 14mm	x12				

What you need:

Phillips Head Screwdriver

You may also need:

- + Power Drill
- + Level
- + Silicone Adhesive or Caulk
- + Drywall Anchors and Screws
- + Other Wall-Mounting Hardware

Wait!

Missing parts or hardware? Need assistance?
Contact us before returning your item. We're here to help!
609.256.9000 • cs@modway.com

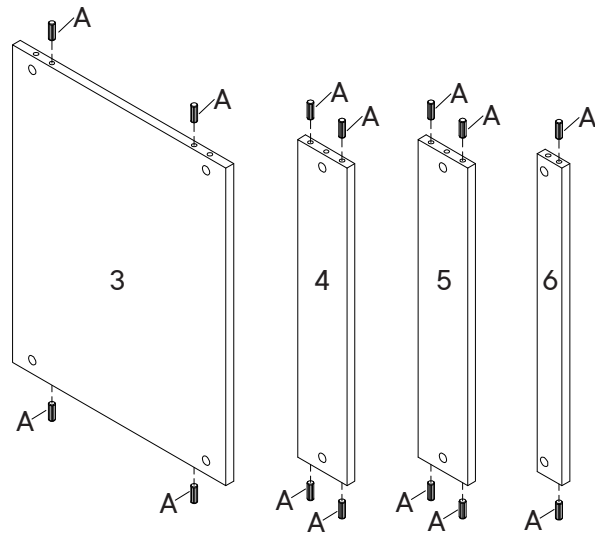
Step 1

HARDWARE

- A** Wood Dowel M8 x 25mm x14

COMPONENTS

- 3** Bottom Panel x1
- 4** Back Panel 1 x1
- 5** Back Panel 2 x1
- 6** Front Support x1



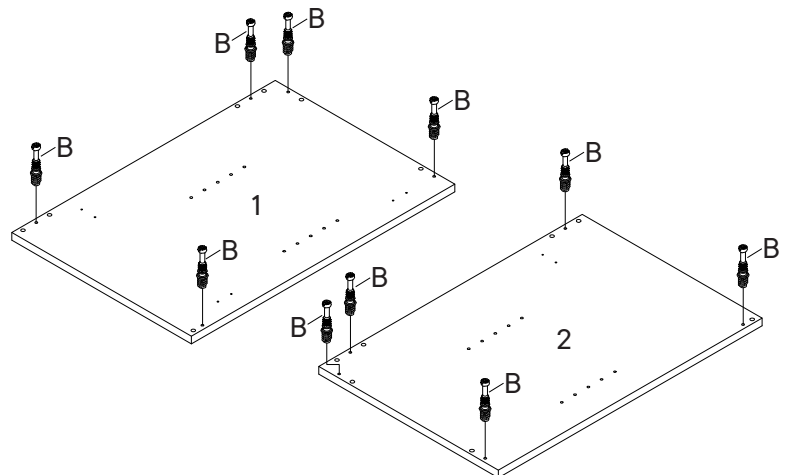
Step 2

HARDWARE

- B** Cam Bolt Ø6 x 24mm x10

COMPONENTS

- 1** Left Side Panel x1
- 2** Right Side Panel x1



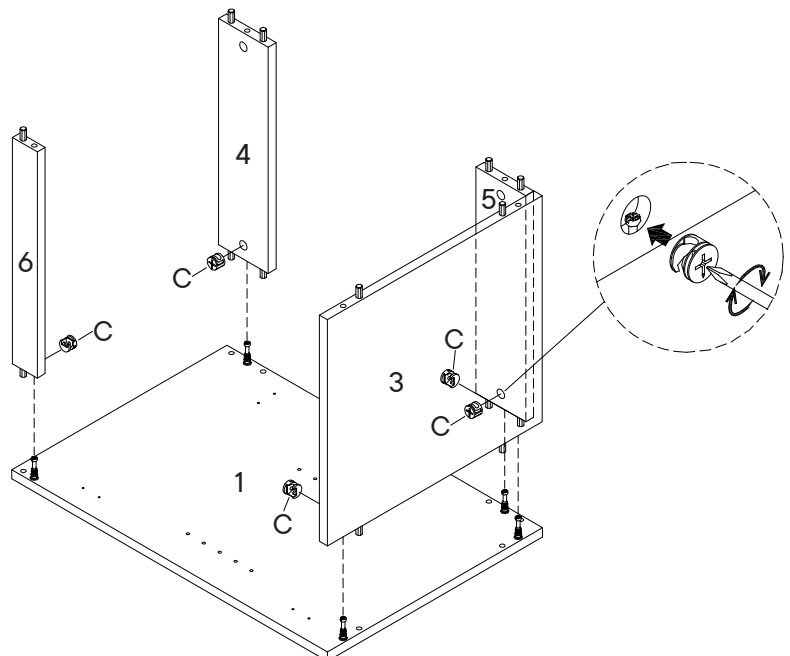
Step 3

HARDWARE

- C** Cam Lock Ø15 x5

COMPONENTS

- 1** Left Side Panel x1
- 3** Bottom Panel x1
- 4** Back Panel 1 x1
- 5** Back Panel 2 x1
- 6** Front Support x1



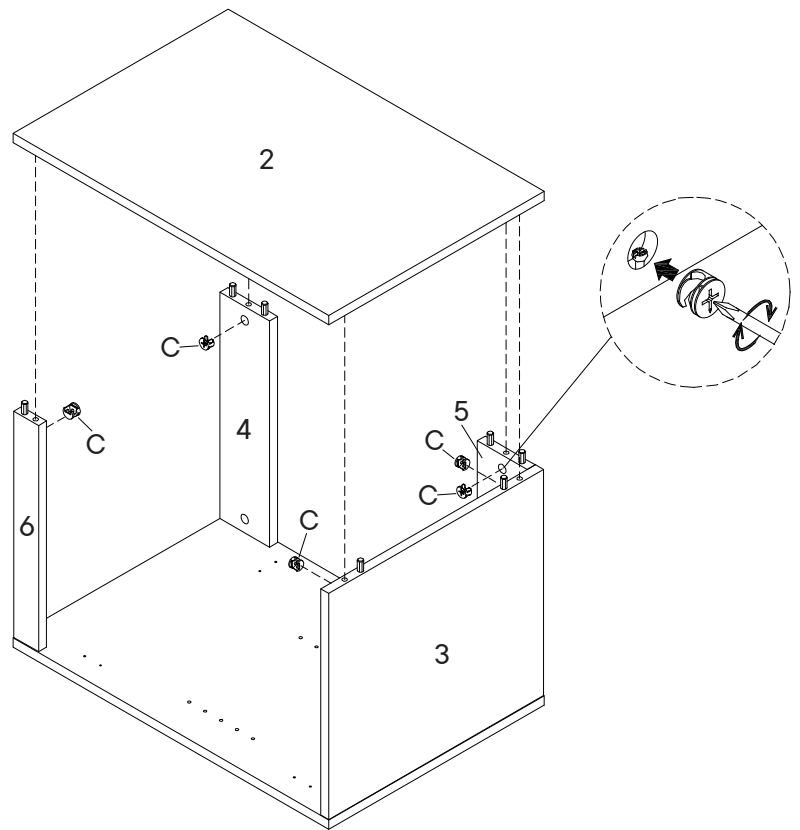
Step 4

HARDWARE

- C** Cam Lock Ø15 x5

COMPONENTS

- 2** Right Side Panel x1
3 Bottom Panel x1
4 Back Panel 1 x1
5 Back Panel 2 x1
6 Front Support x1



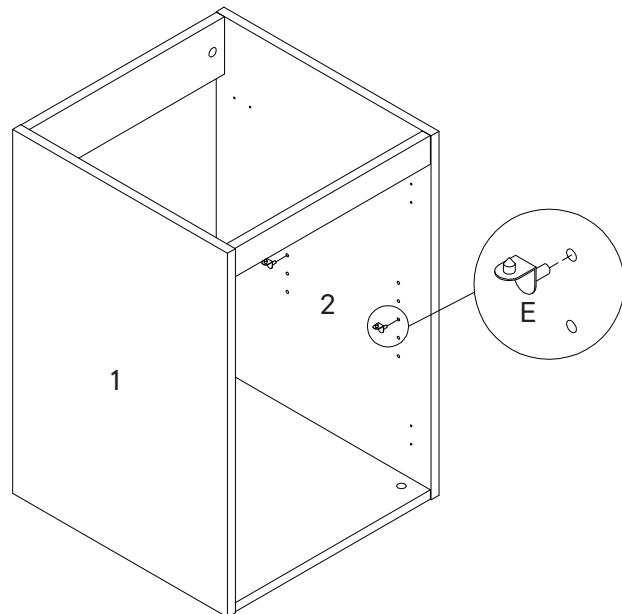
Step 5

HARDWARE

- E** Shelf Support x4

COMPONENTS

- 1** Left Side Panel x1
2 Right Side Panel x1



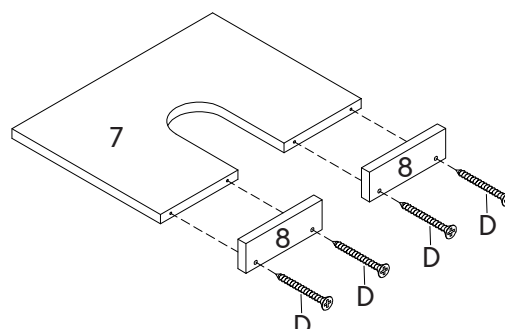
Step 6

HARDWARE

- D** Screw #9 x 38mm x4

COMPONENTS

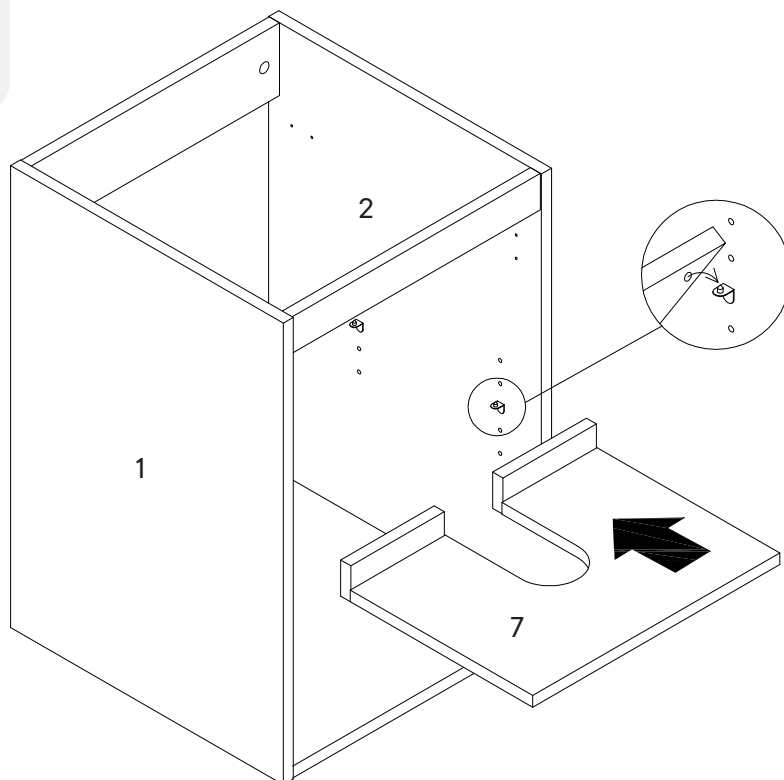
- 7** Shelf Panel x1
8 Base Panel x2



Step 7

COMPONENTS

- 7 Shelf Panel x1



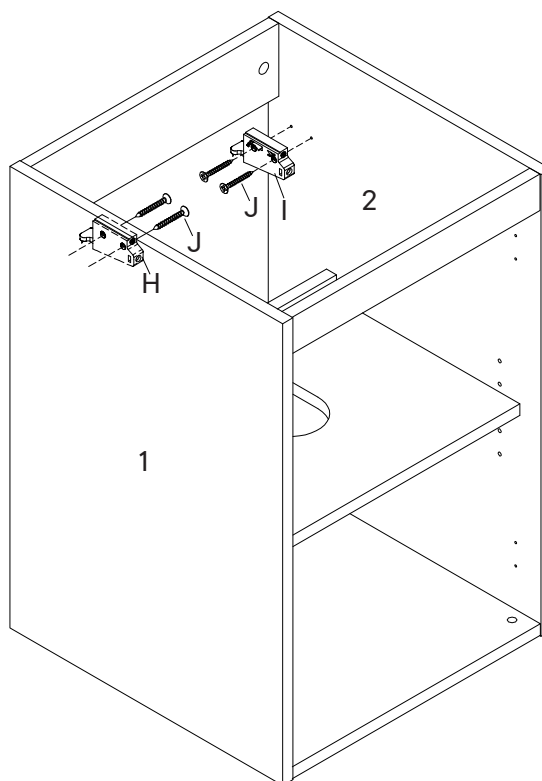
Step 8

HARDWARE

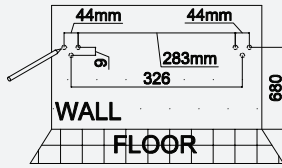
- H Bracket/L-Hanger x1
- I Bracket/R-Hanger x1
- J Screw 4 x 28mm x4

COMPONENTS

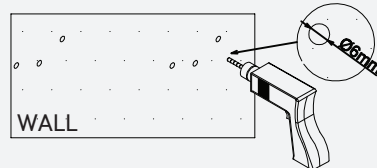
- 1 Left Side Panel x1
- 2 Right Side Panel x1



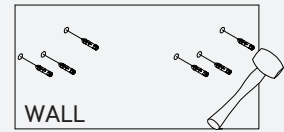
Wall Bracket Installation Guide



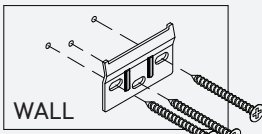
Measurement Guide
All units are in millimeters.



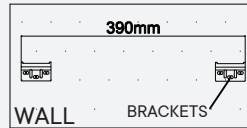
9.1 Use a drill to make all pilot holes.



9.2 Insert a Drywall Anchor into each of the nine holes.

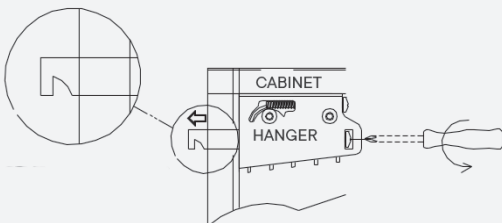


9.3 Install bracket with 3 screws.
Repeat with other brackets.

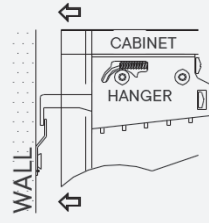


9.4 Ensure your bracket measurements are correct before moving on to attaching the cabinet to the wall.

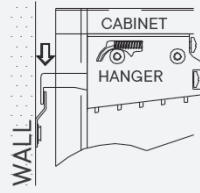
Cabinet-to-Wall Installation Guide



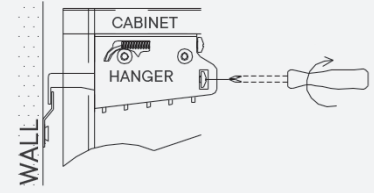
9.5 Set the hanger latch as shown.



9.6 Hook cabinet onto latch.



9.7 Push cabinet down onto latch.

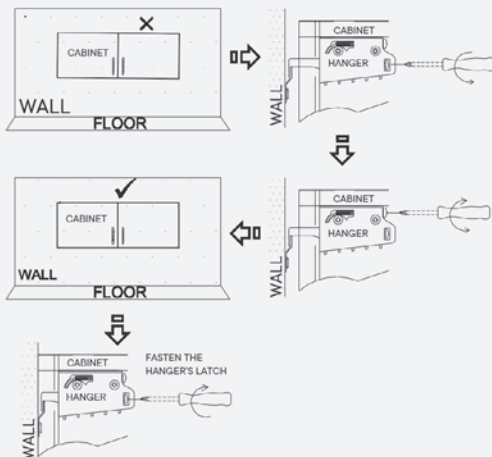


9.8 Fasten the hanger's latch with the screw.

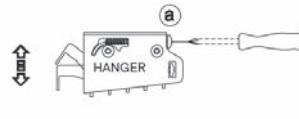
Is the cabinet not hanging quite right?

Here are some adjustment tips.

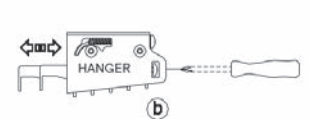
If your cabinet isn't level, follow this guide.



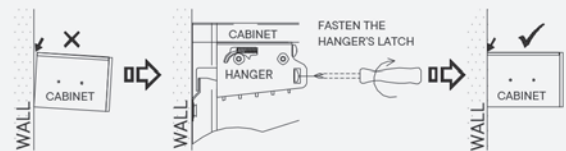
Adjustment Screw A



Adjustment Screw B



If your cabinet is pulling away from the wall, follow this guide.



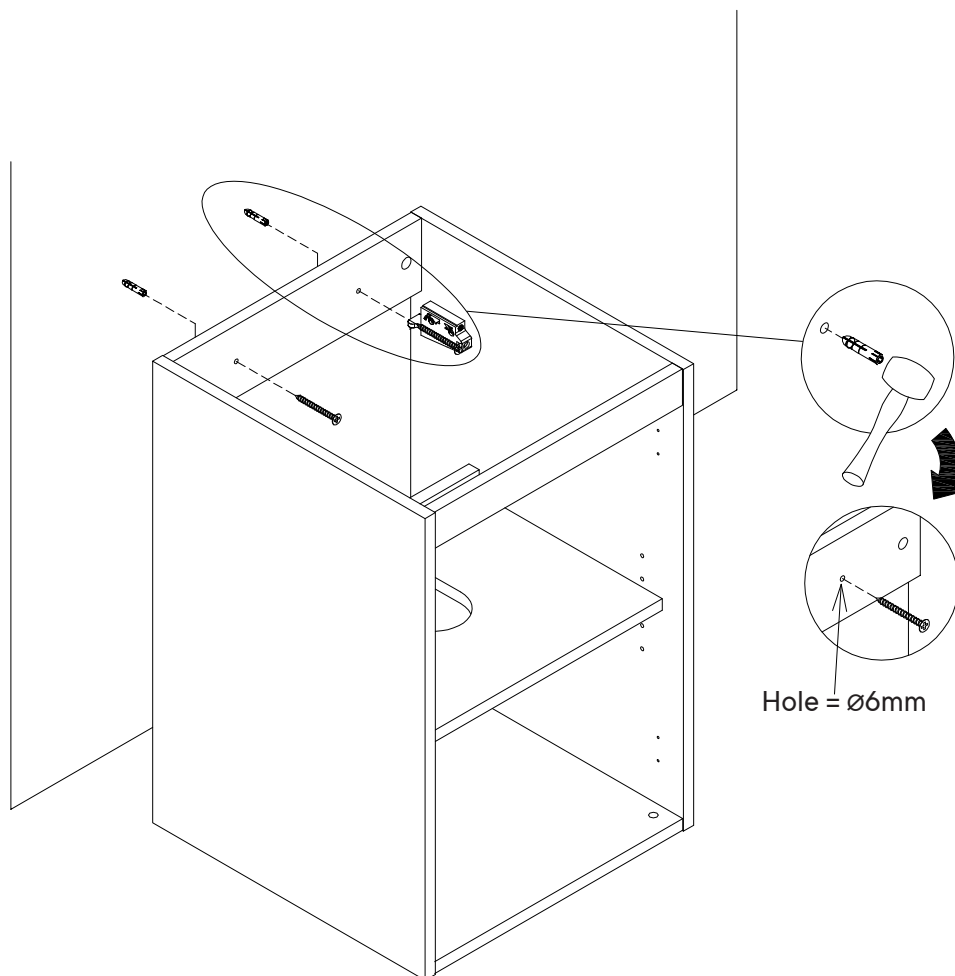
9.9 Once the cabinet is installed and adjusted, install the latch covers.



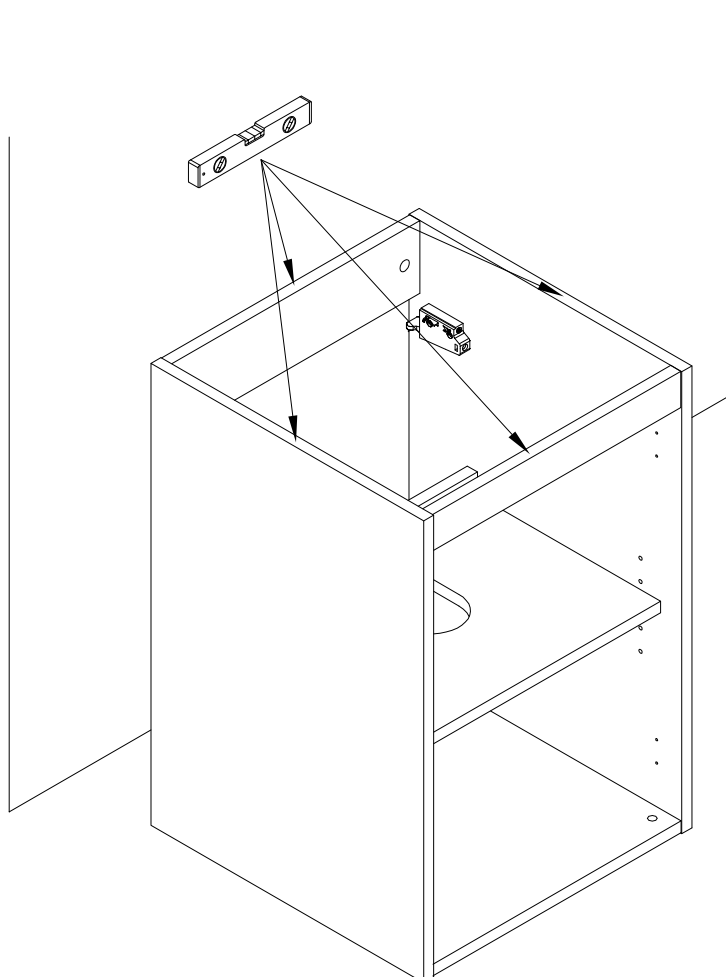
Step 10

NOTE: Mounting hardware and tools are not included.

We suggest professional installation.



Step 11



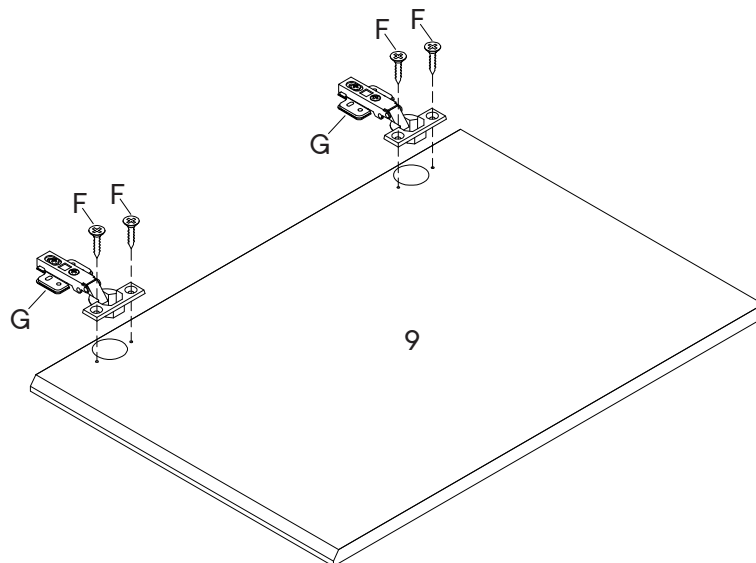
Step 12

HARDWARE

- F** Screw 4 x 14mm x4
- G** Door Hinge x2

COMPONENTS

- 9** Door Panel x1



Step 13

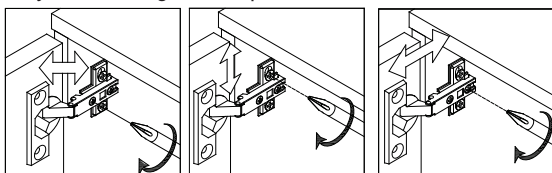
HARDWARE

- F** Screw 4 x 14mm x8
- K** Rubber Pad x4

COMPONENTS

- 9** Door Panel x1

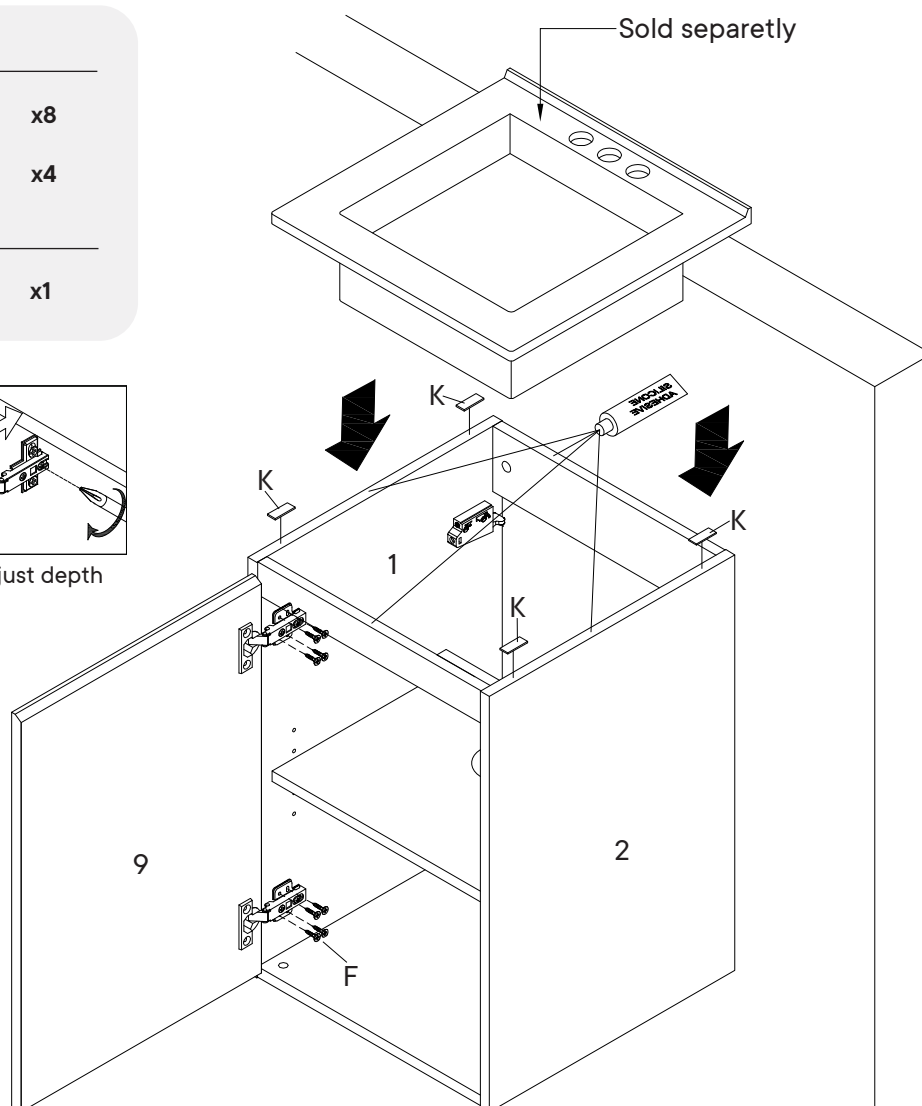
Adjust the hinges, if required.



Adjust laterally

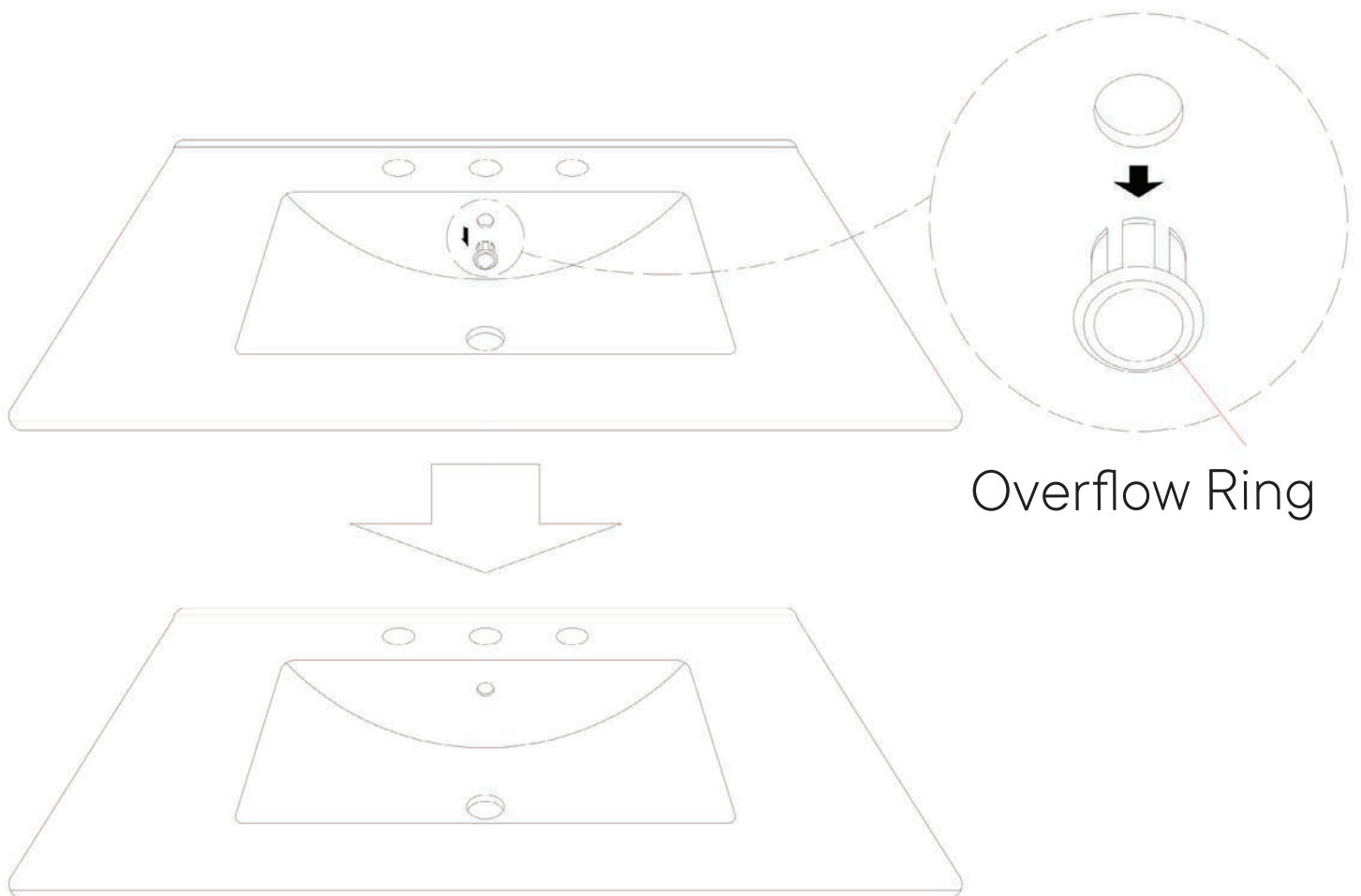
Adjust height

Adjust depth



A quick note...

Your sink basin comes complete with a silver overflow ring.
If you'd like to remove this overflow ring, you can do so by hand.



Wait!

Missing parts or hardware? Need assistance?
Contact us before returning your item. We're here to help!
609.256.9000 • cs@modway.com

Great job!

Cabinet assembly is complete and ready for sink installation.

♥ CARING FOR YOUR ITEM

Indoor use only.

Not contract grade.

Clean using a non-abrasive cloth and a mild cleaner.

Never use harsh chemicals, as they could damage the finish or integrity of the item.

CONNECT WITH US!   

Tag us @modway_furniture and #modway for a chance to be featured.

