

ASSEMBLY INSTRUCTIONS

EEI-5551

V1.05.20.21



Questions? Contact us!

609.256.9000 • cs@modway.com
www.modway.com

*modway

Let's get started!

*modway



Read through all of the instructions before starting



Care instructions are listed in the last step of this manual



Approx. 90 minutes assembly time



Make sure you have all parts and components before discarding any packing materials



2 people recommended for assembly

Only use hand tools to assemble this item. Do not use power tools. Do not tighten bolts or screws completely until all hardware is lined up and inserted into the holes.

Do not over-tighten screws and bolts to avoid stripping the hardware or cracking the item.

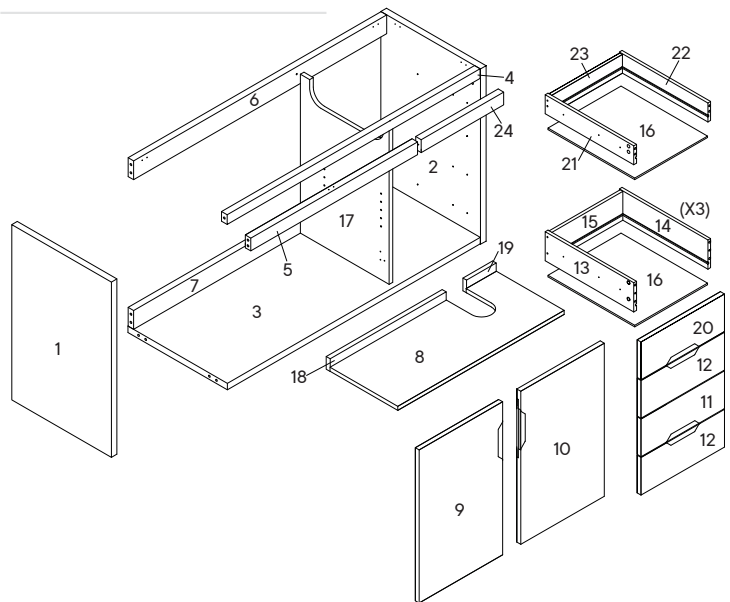
For vanity and plumbing installation, we suggest hiring a professional contractor and plumber.

Assemble your item on a flat, carpeted area, with plenty of space to work. This will prevent damage and scratches to your floors or the item while you're assembling the product.

Keep all components and packaging out of reach of children or animals to avoid risk of choking or suffocation.

Furniture components:

1	Left Side Panel	x1	12	Drawer Front 2	x2
2	Right Side Panel	x1	13	Drawer Side L 1	x3
3	Bottom Panel	x1	14	Drawer Side R 1	x3
4	Front Support	x1	15	Drawer Back 1	x3
5	Support Panel 1	x1	16	Drawer Panel	x4
6	Back Panel 1	x1	17	Center Panel	x1
7	Back Panel 2	x1	18	Base Panel 1	x1
8	Shelf Panel	x1	19	Base Panel 2	x1
9	Door Panel Left	x1	20	Drawer Front 3	x1
10	Door Panel Right	x1	21	Drawer Side L 2	x1
11	Drawer Front 1	x1	22	Drawer Side R 2	x1
			23	Drawer Back 2	x1
			24	Support Panel 2	x1



Provided hardware:

A		Wood Dowel M8 x 25mm	x15	I		Shelf Support	x4	Q		Wood Dowel M6 x 25mm	x6
B		Cam Bolt Ø6 x 24mm	x27	J		Rubber Pad	x8	R		Cam Lock Ø12	x16
C		Cam Lock Ø15	x11	K		L-Bracket	x1	S		Bearing Runner 350mm	x4 Pairs
D		Screw 4 x 14mm	x46	L		Screw 9 x 38mm	x21	T		Screw 4 x 12mm	x48
E		Door Hinge (Full Overlay)	x2	M		Screw 9 x 50mm	x7				
F		Corner Bracket	x4	N		Metal Leg	x1				
G		Screw 4 x 20mm	x20	O		L-Bracket	x1				
H		Metal Leg	x4	P		Door Hinge (Half Overlay)	x2				

What you need:

Phillips Head Screwdriver

You may also need:

- + Power Drill
- + Level
- + Silicone Adhesive or Caulk
- + Drywall Anchors and Screws
- + Other Wall-Mounting Hardware

Wait!

Missing parts or hardware? Need assistance?
Contact us before returning your item. We're here to help!
609.256.9000 • cs@modway.com

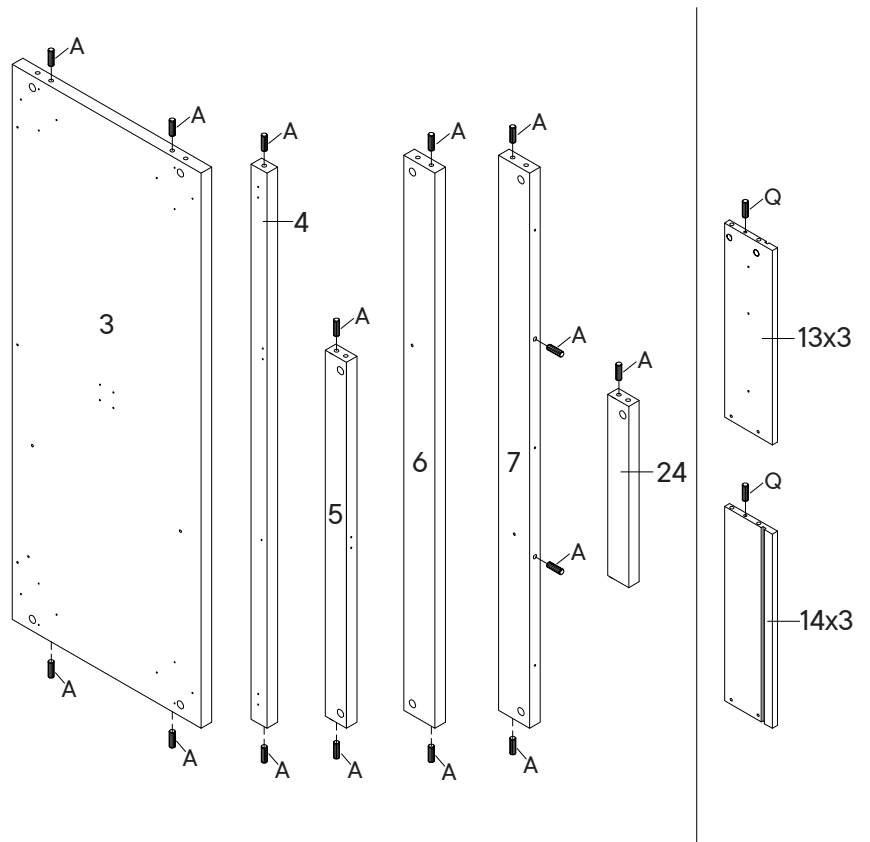
Step 1

HARDWARE

- A** Wood Dowel M8 x 25mm x15
- Q** Wood Dowel M6 x 25mm x6

COMPONENTS

- 3** Bottom Panel x1
- 4** Front Support x1
- 5** Support Panel x1
- 6** Back Panel 1 x1
- 7** Back Panel 2 x1
- 13** Drawer Side L 1 x3
- 14** Drawer Side R 1 x3
- 24** Support Panel 2 x1



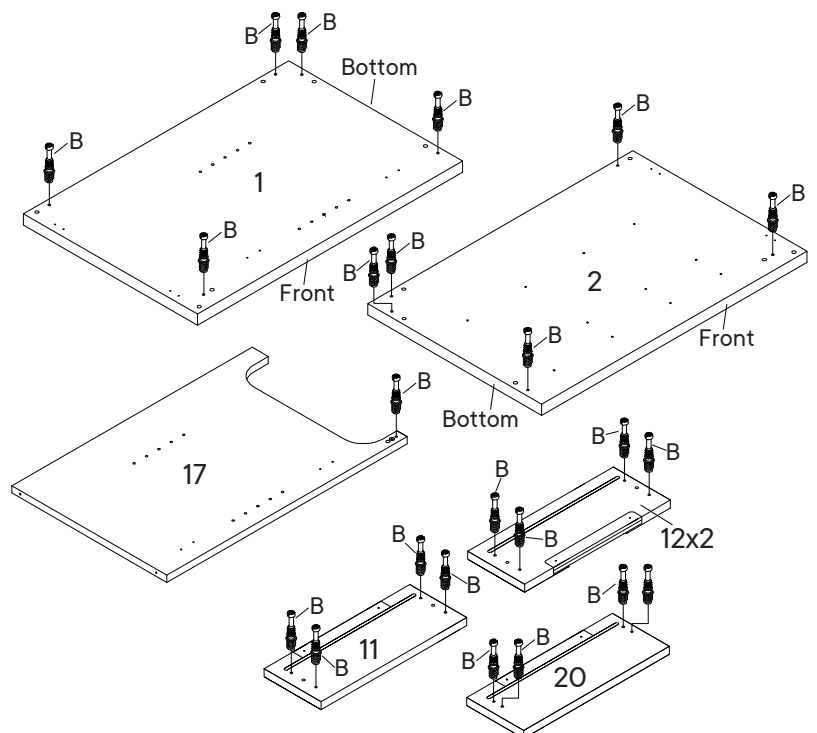
Step 2

HARDWARE

- B** Cam Bolt $\varnothing 6 \times 24\text{mm}$ x27

COMPONENTS

- 1** Left Side Panel x1
- 2** Right Side Panel x1
- 11** Drawer Front 1 x1
- 12** Drawer Front 2 x2
- 17** Center Panel x1
- 20** Drawer Front 3 x1



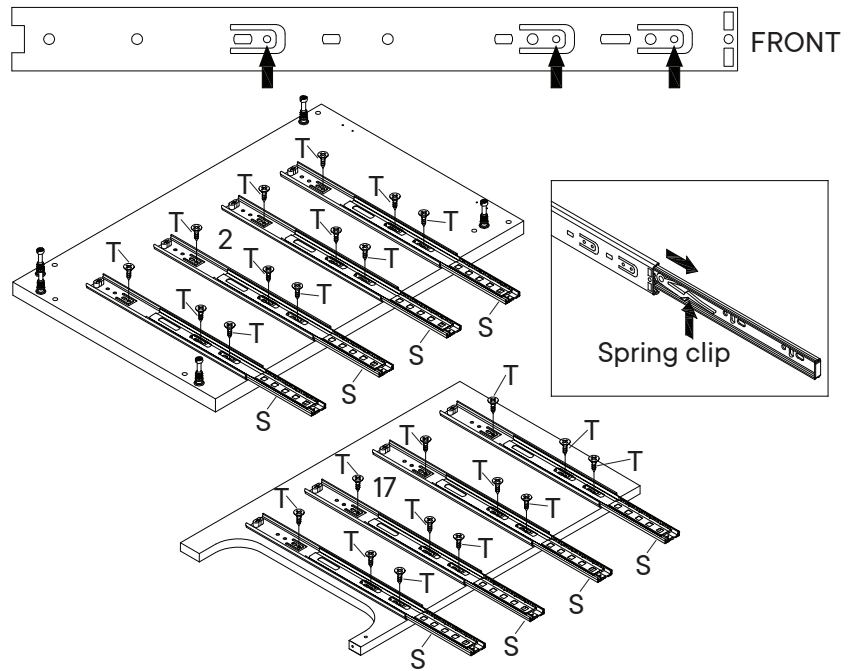
Step 3

HARDWARE

- S** Bearing Runner 350mm x4pairs
- T** Screw 4 x 12mm x24

COMPONENTS

- 2** Right Side Panel x1
- 17** Center Panel x1



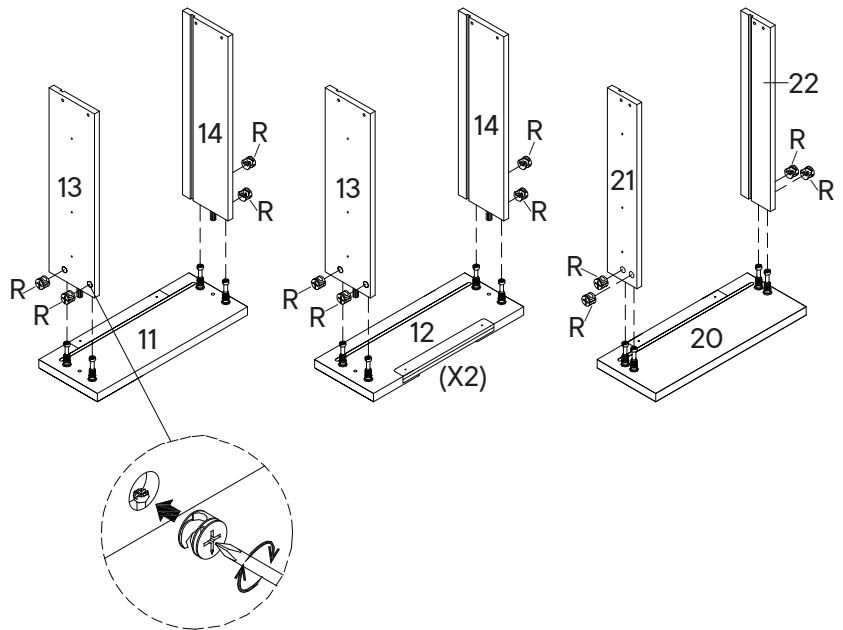
Step 4

HARDWARE

- R** Cam Lock Ø12 x16

COMPONENTS

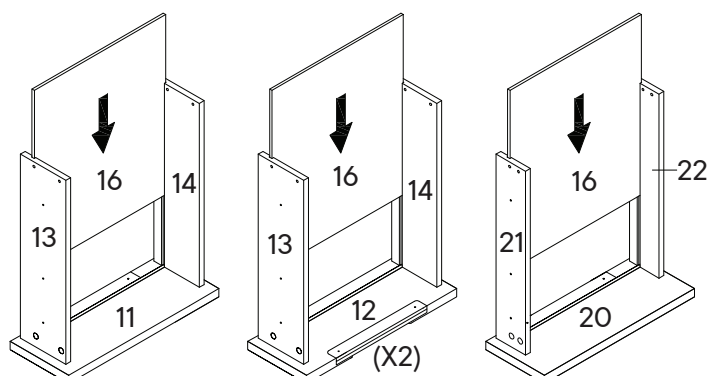
- 11** Drawer Front 1 x1
- 12** Drawer Front 2 x2
- 13** Drawer Side L 1 x3
- 14** Drawer Side R 1 x3
- 20** Drawer Front 3 x1
- 21** Drawer Side L 2 x1
- 22** Drawer Side R 2 x1



Step 5

COMPONENTS

- 16** Drawer Panel x4



Step 6

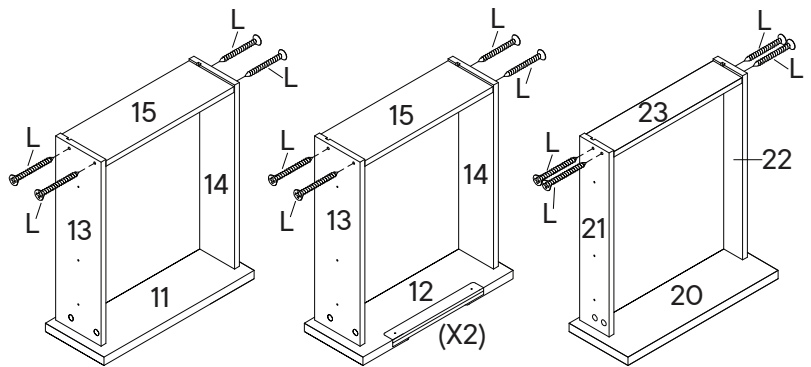
HARDWARE

L Screw 9 x 38mm x16

COMPONENTS

15 Drawer Back 1 x3

23 Drawer Back 2 x1



Step 7

HARDWARE

S Bearing Runner 350mm x4 Pairs

T Screw 4 x 12mm x24

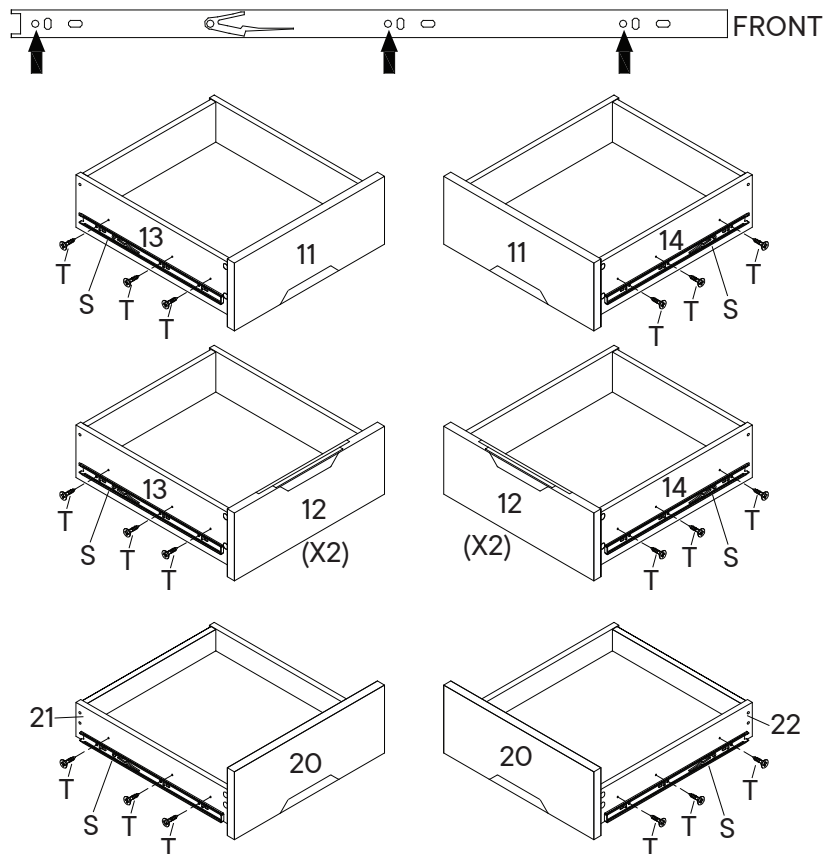
COMPONENTS

13 Drawer Side L 1 x3

14 Drawer Side R 1 x3

21 Drawer Side L 2 x1

22 Drawer Side R 2 x1



Step 8

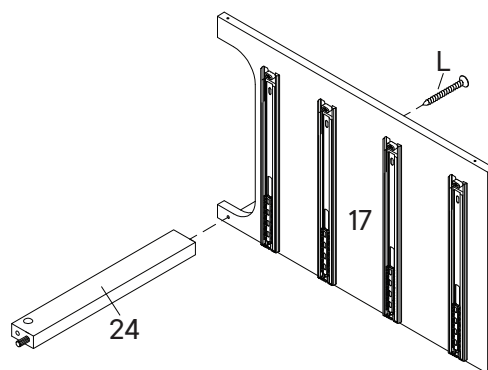
HARDWARE

L Screw 9 x 38mm x1

COMPONENTS

17 Center Panel x1

24 Support Panel 2 x1



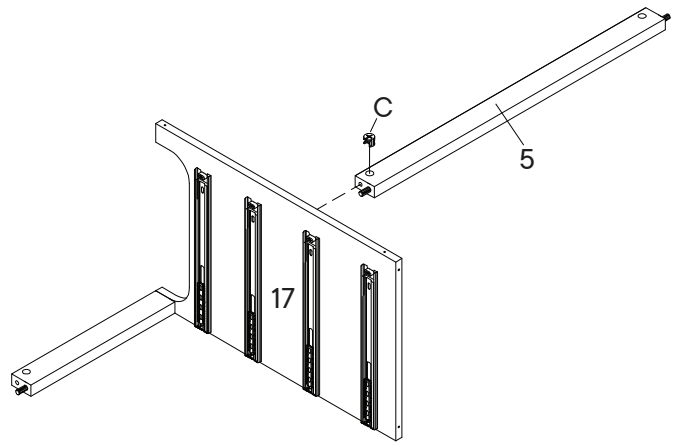
Step 9

HARDWARE

C Cam Lock Ø15 x1

COMPONENTS

5 Support Panel 1 x1



Step 10

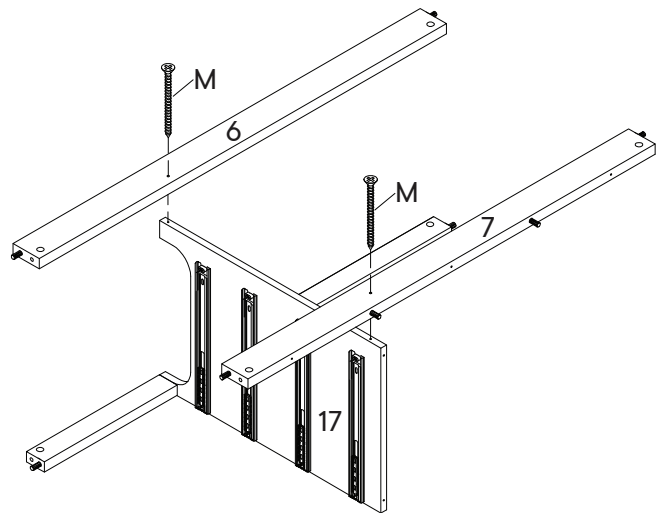
HARDWARE

M Screw 9 x 50mm x2

COMPONENTS

6 Back Panel 1 x1

7 Back Panel 2 x1



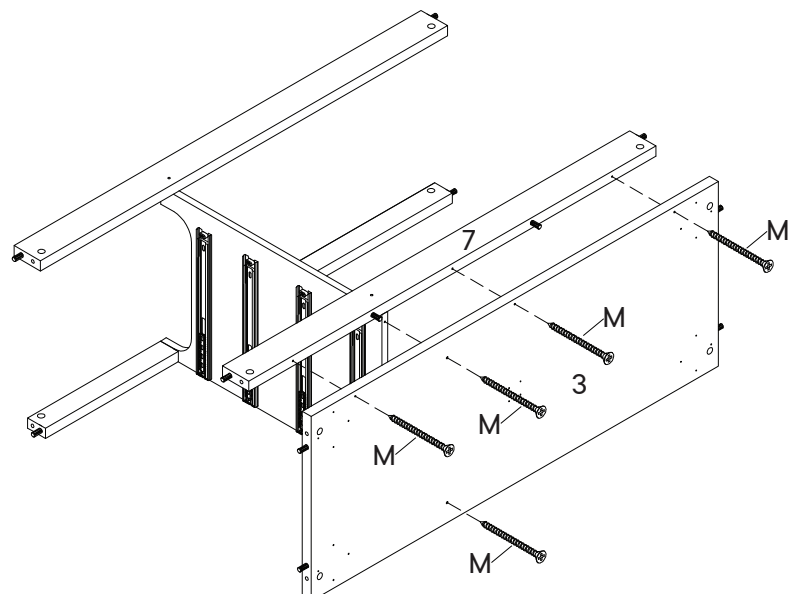
Step 11

HARDWARE

M Screw 9 x 50mm x5

COMPONENTS

3 Bottom Panel x1



Step 12

HARDWARE

C Cam Lock Ø15 x5

COMPONENTS

2 Right Side Panel x1

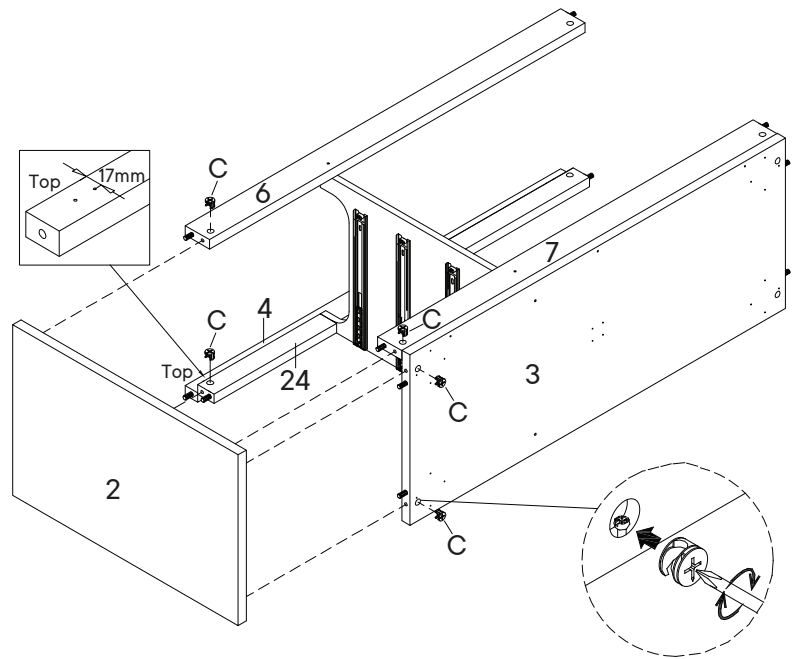
3 Bottom Panel x1

4 Front Support x1

6 Back Panel 1 x1

7 Back Panel 2 x1

24 Support Panel 2 x1



Step 13

HARDWARE

C Cam Lock Ø15 x5

COMPONENTS

1 Left Side Panel x1

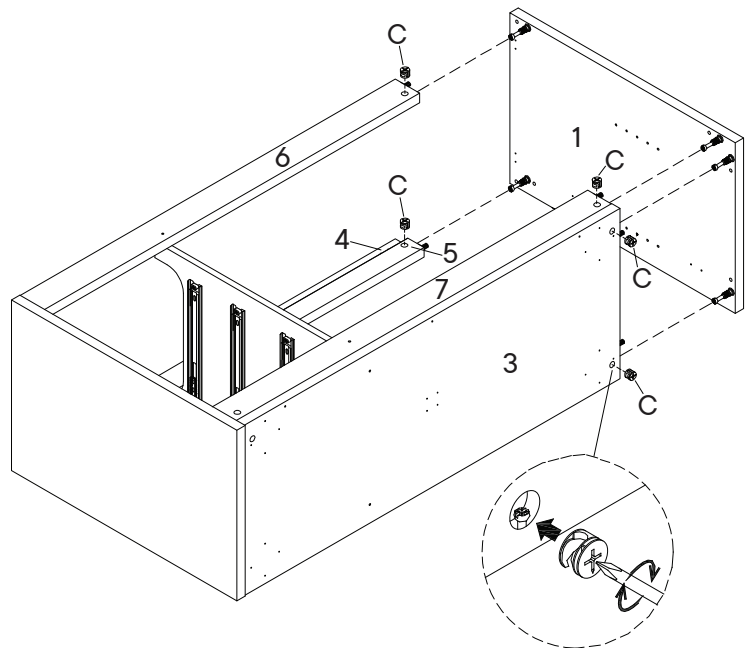
3 Bottom Panel x1

4 Front Support x1

5 Support Panel 1 x1

6 Back Panel 1 x1

7 Back Panel 2 x1



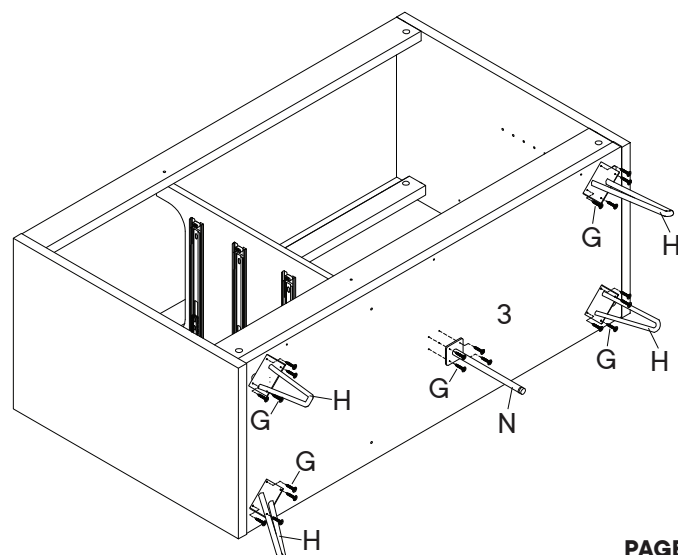
Step 14

HARDWARE

G Screw 4 x 20mm x20

H Metal Leg x4

N Metal Leg x1



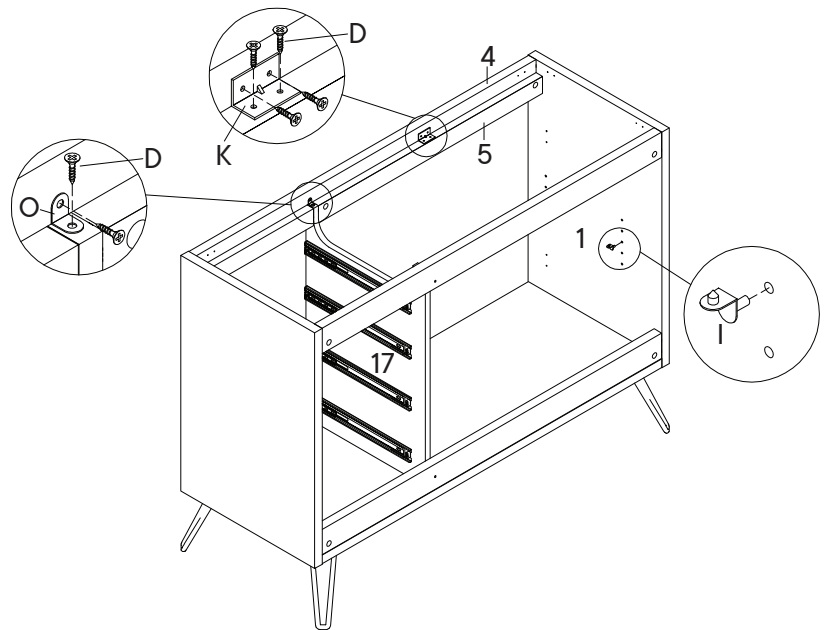
Step 15

HARDWARE

D	Screw 4 x 14mm	x6
I	Shelf Support	x4
K	L-Bracket	x1
O	L-Bracket	x1

COMPONENTS

1	Left Side Panel	x1
4	Front Support	x1
5	Support Panel 1	x1
17	Center Panel	x1



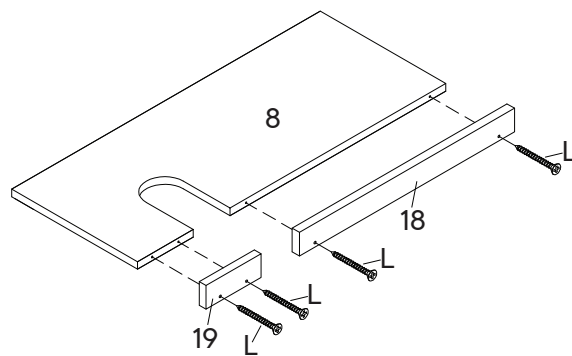
Step 16

HARDWARE

L	Screw #9 x 38mm	x4
----------	-----------------	----

COMPONENTS

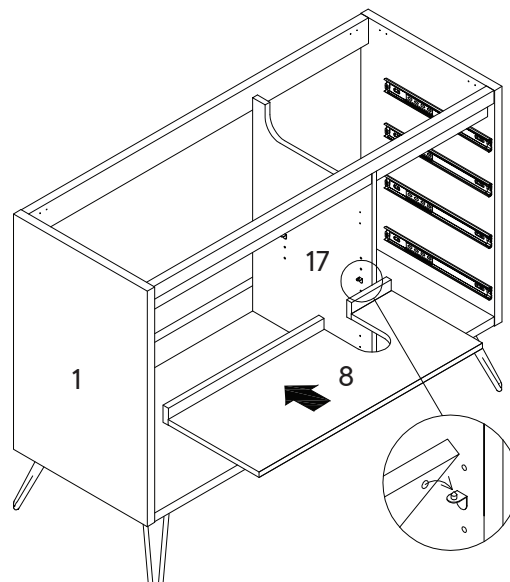
8	Shelf Panel	x1
18	Base Panel 1	x1
19	Base Panel 2	x1



Step 17

COMPONENTS

8	Shelf Panel	x1
----------	-------------	----



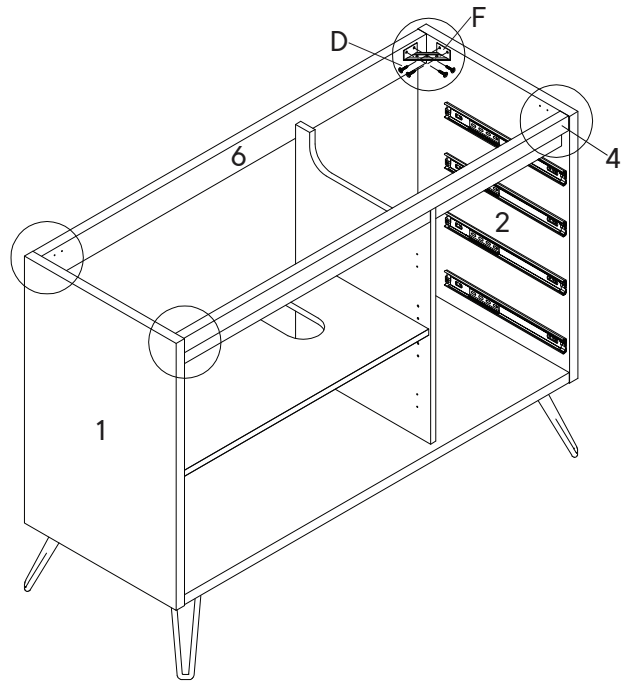
Step 18

HARDWARE

- D** Screw 4 x 14mm x16
- F** Corner Bracket x4

COMPONENTS

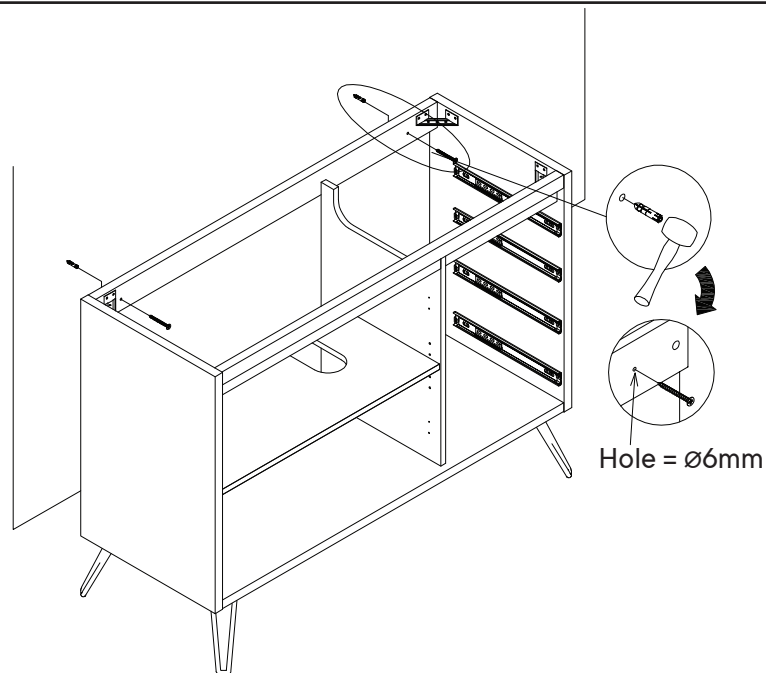
- 1** Left Side Panel x1
- 2** Right Side Panel x1
- 4** Front Support x1
- 6** Back Panel 1 x1



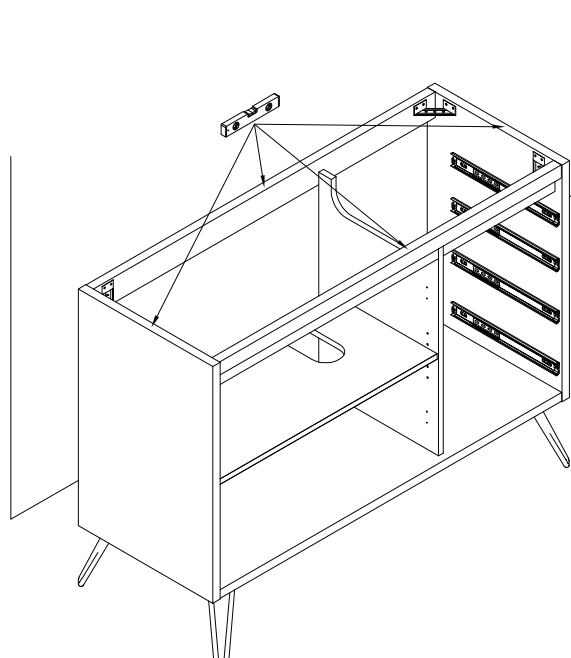
Step 19

NOTE: Mounting hardware and tools are not included.

We suggest professional installation.



Step 20



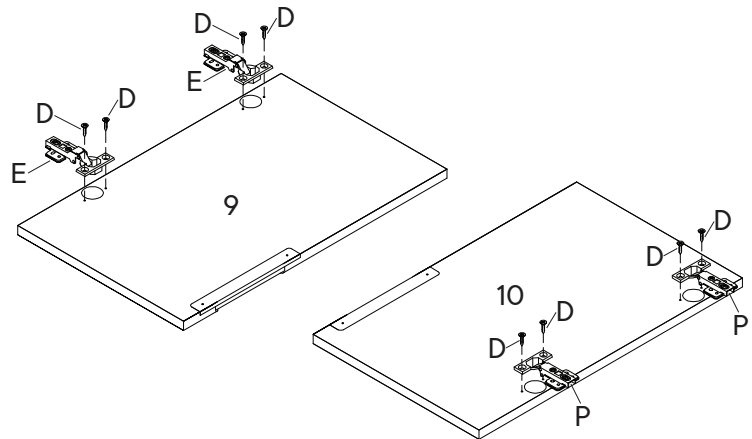
Step 21

HARDWARE

- D** Screw 4 x 14mm x8
- E** Door Hinge (Full Overlay) x2
- P** Door Hinge (Half Overlay) x2

COMPONENTS

- 9** Door Panel Left x1
- 10** Door Panel Right x1



Step 22

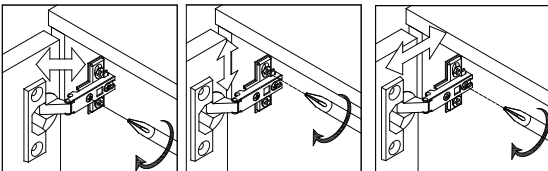
HARDWARE

- D** Screw 4 x 14mm x16
- J** Rubber Pad x8

COMPONENTS

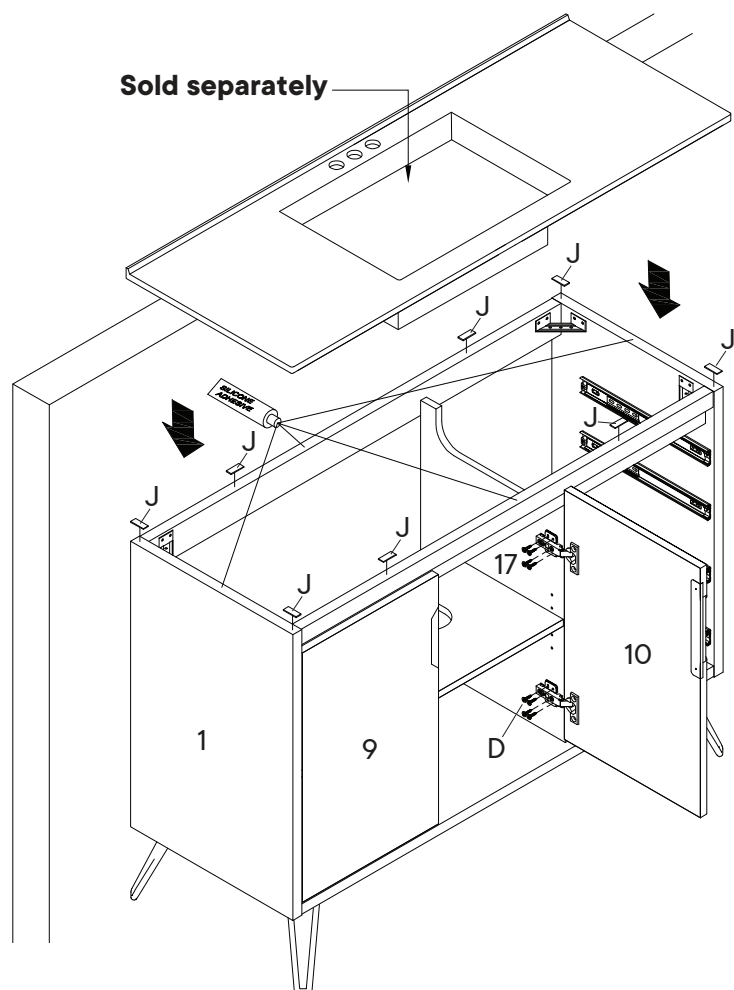
- 9** Door Panel Left x1
- 10** Door Panel Right x1

Adjust the hinges, if required.



Adjust laterally Adjust height Adjust depth

Temporarily remove/dismantle the Door & Shelf during Basin/Sink /Plumbing work installation work to prevent water damage.

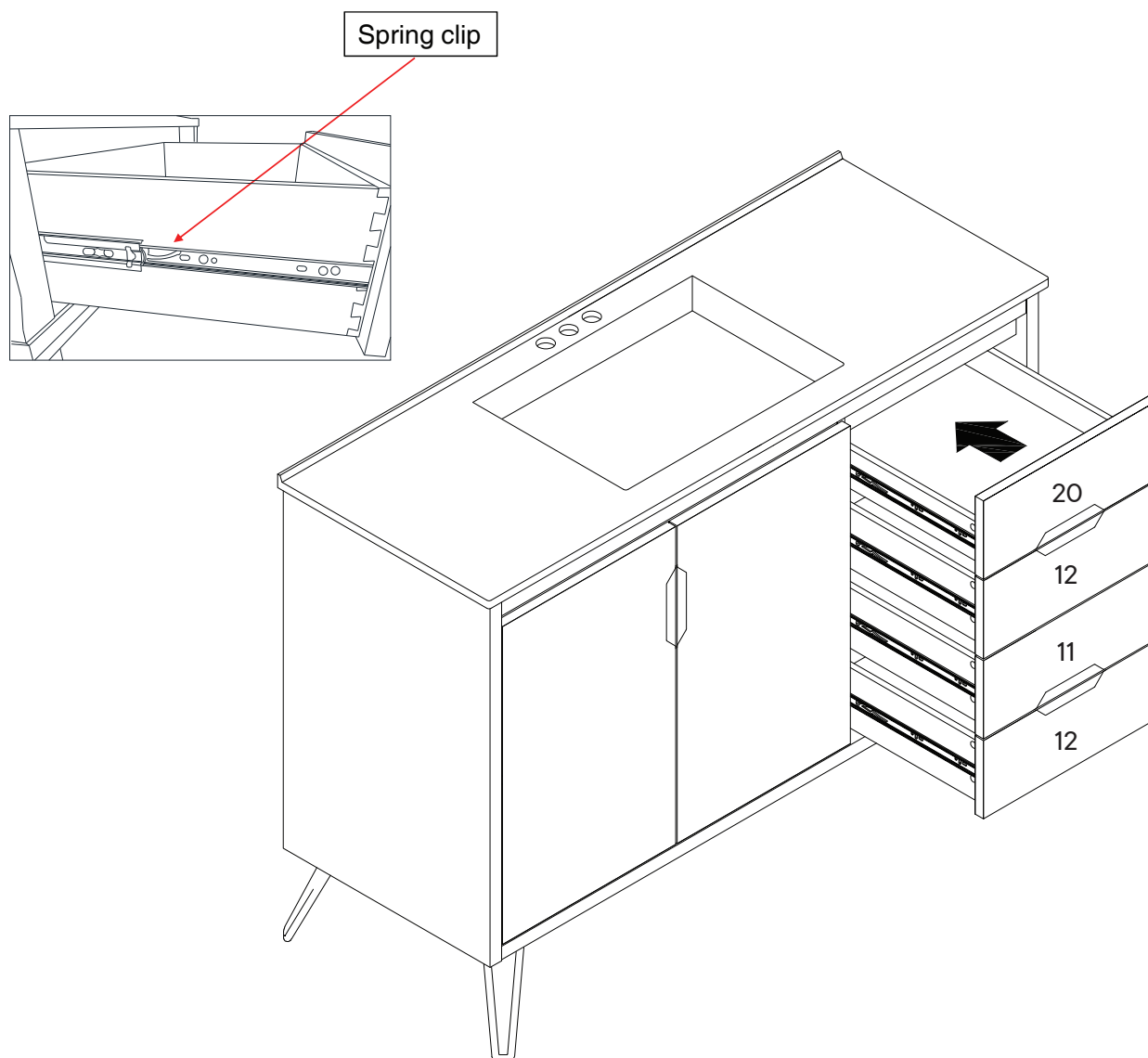


Step 23

The drawer(s) can be removed, if ever required.

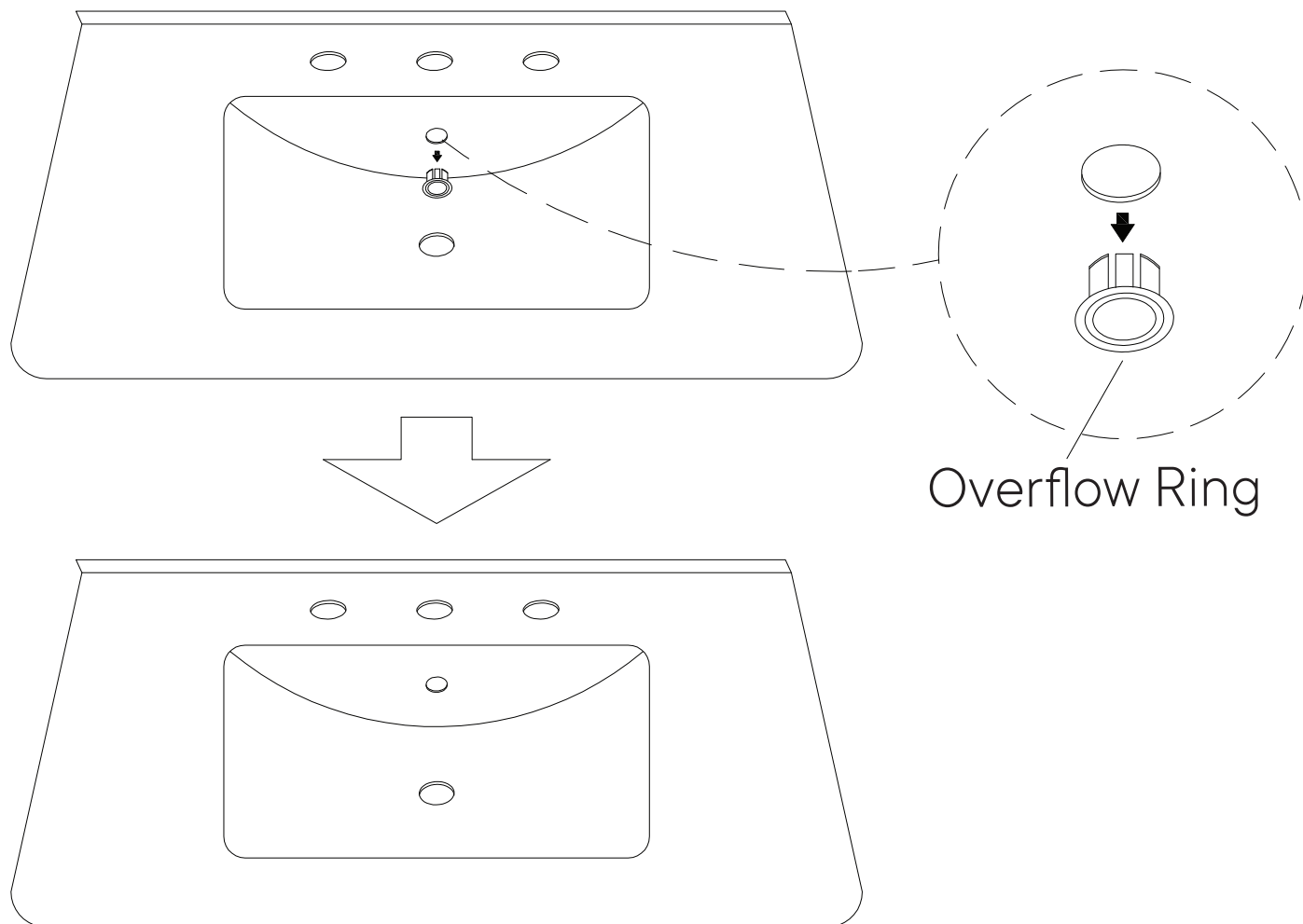
Locate the spring clip on both sides on the drawer glide.
At the same time, press the clips and pull the drawer out.

To reinsert, simply align the 2 sides of the drawer glides
and slide in until fully inserted.



A quick note...

Your sink basin comes complete with a silver overflow ring.
If you'd like to remove this overflow ring, you can do so by hand.



Wait!

Missing parts or hardware? Need assistance?

Contact us before returning your item. We're here to help!

609.256.9000 • cs@modway.com

Great job!

Cabinet assembly is complete.

♥ CARING FOR YOUR ITEM

Indoor use only.

Not contract grade.

Clean using a non-abrasive cloth and a mild cleaner.

Never use harsh chemicals, as they could damage the finish or integrity of the item.

CONNECT WITH US!   

Tag us @modway_furniture and #modway for a chance to be featured.

