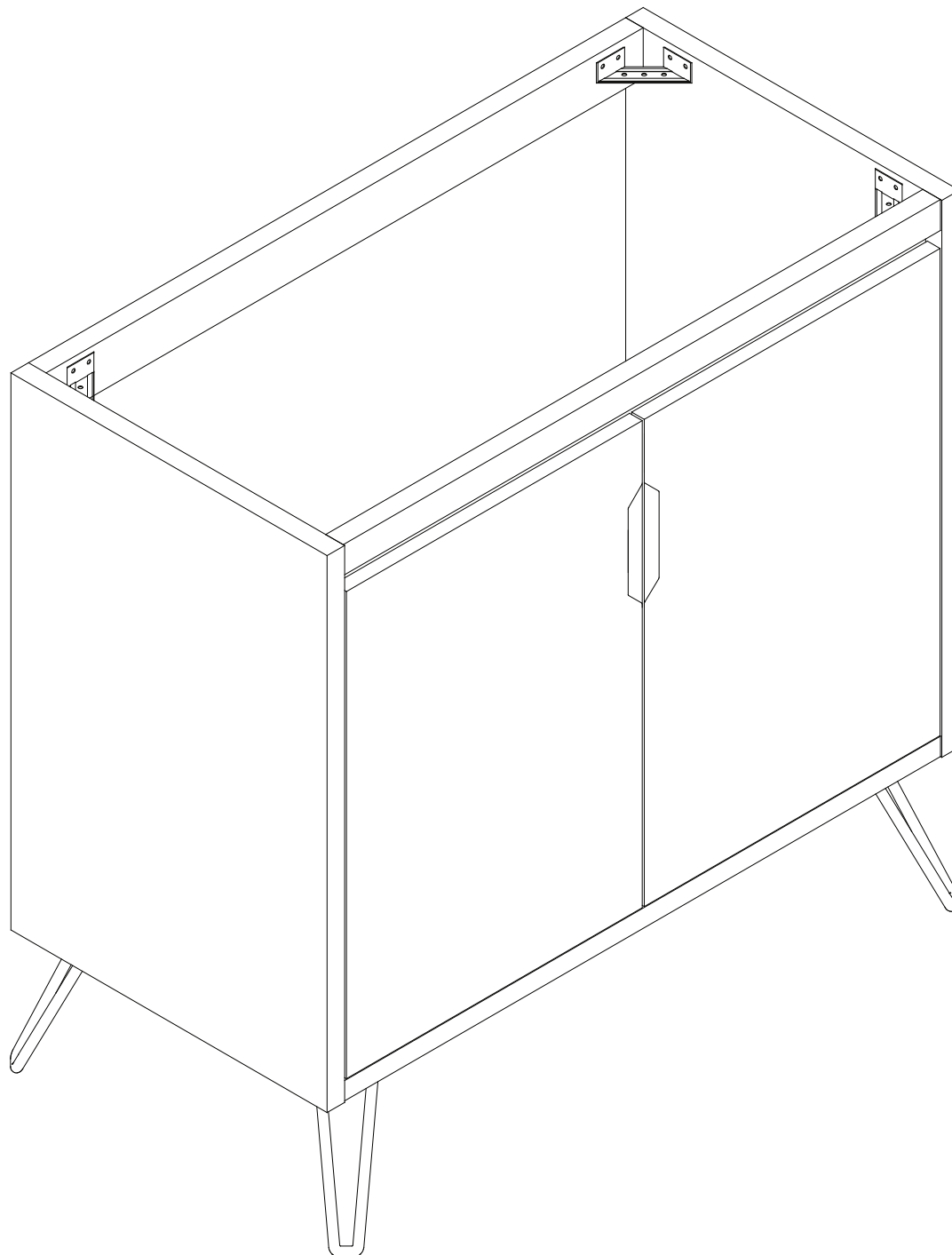


ASSEMBLY INSTRUCTIONS

EEI-5549

V1.05.20.21



Questions? Contact us!

609.256.9000 • cs@modway.com
www.modway.com

***modway**

Let's get started!

*modway



Read through all of the instructions before starting



Care instructions are listed in the last step of this manual



Approx. 90 minutes assembly time



Make sure you have all parts and components before discarding any packing materials



2 people recommended for assembly

Only use hand tools to assemble this item. Do not use power tools. Do not tighten bolts or screws completely until all hardware is lined up and inserted into the holes.

Do not over-tighten screws and bolts to avoid stripping the hardware or cracking the item.

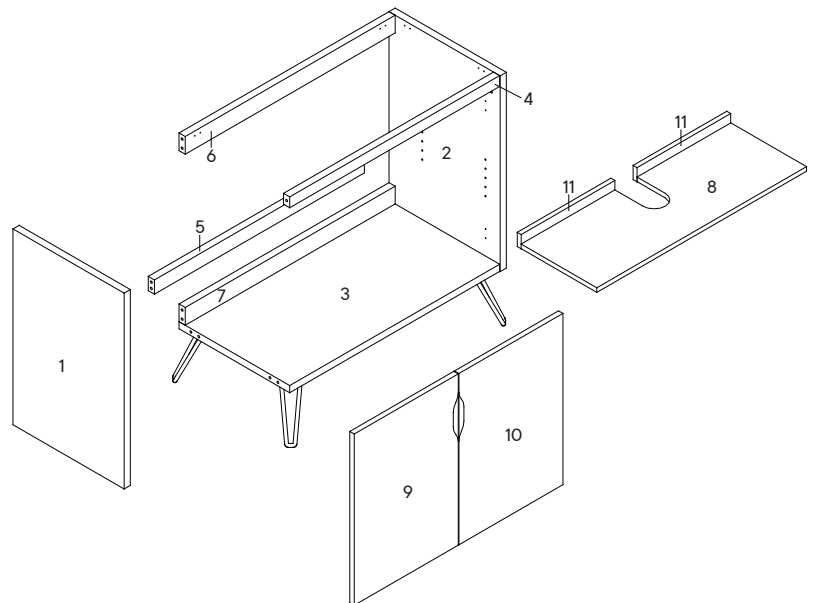
For vanity and plumbing installation, we suggest hiring a professional contractor and plumber.

Assemble your item on a flat, carpeted area, with plenty of space to work. This will prevent damage and scratches to your floors or the item while you're assembling the product.

Keep all components and packaging out of reach of children or animals to avoid risk of choking or suffocation.

Furniture components:

1	Left Side Panel	x1	7	Back Panel 2	x1
2	Right Side Panel	x1	8	Shelf Panel	x1
3	Bottom Panel	x1	9	Door Panel Left	x1
4	Front Support	x1	10	Door Panel Right	x1
5	Support Panel	x1	11	Base Panel	x2
6	Back Panel 1	x1			



Provided hardware:

A		Wood Dowel M8 x 25mm	x15	G		Screw 4 x 20mm	x16	M		Screw 9 x 50mm	x2
B		Cam Bolt Ø6 x 24mm	x10	H		Metal Leg	x4	What you need:			
C		Cam Lock Ø15	x10	I		Shelf Support	x4		Phillips	Phillips Head Screwdriver	
D		Screw 4 x 14mm	x44	J		Rubber Pad	x6	You may also need:			
E		Door Hinge	x4	K		L-Bracket	x1	+ Power Drill			
F		Corner Bracket	x4	L		Screw 9 x 38mm	x6	+ Level			
								+ Silicone Adhesive or Caulk			
								+ Drywall Anchors and Screws			
								+ Other Wall-Mounting Hardware			

Wait!

Missing parts or hardware? Need assistance?
Contact us before returning your item. We're here to help!
609.256.9000 • cs@modway.com

Step 1

HARDWARE

A Wood Dowel M8 x 25mm x15

COMPONENTS

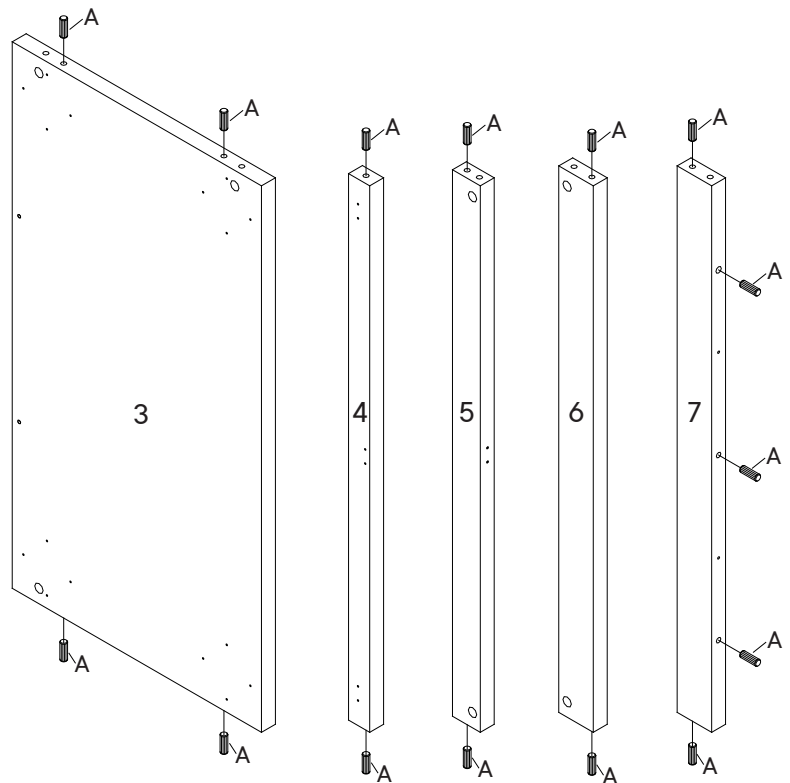
3 Bottom Panel x1

4 Front Support x1

5 Support Panel x1

6 Back Panel 1 x1

7 Back Panel 2 x1



Step 2

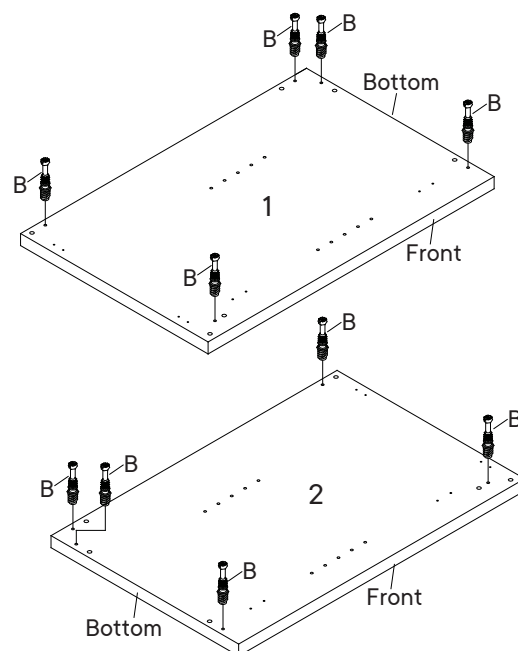
HARDWARE

B Cam Bolt $\varnothing 6 \times 24\text{mm}$ x10

COMPONENTS

1 Left Side Panel x1

2 Right Side Panel x1



Step 3

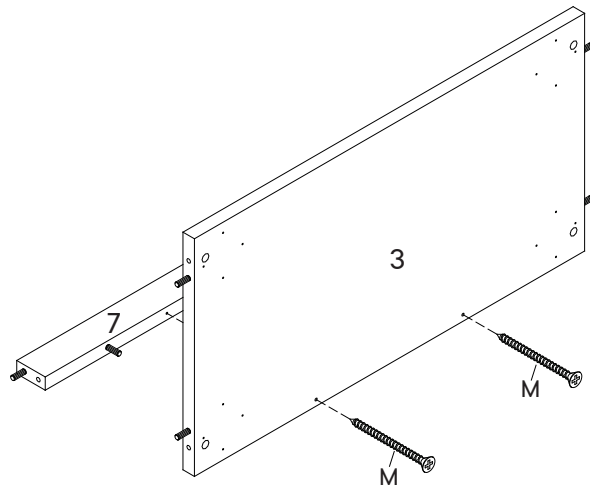
HARDWARE

M Screw 9 x 50mm x2

COMPONENTS

3 Bottom Panel x1

7 Back Panel 2 x1



Step 4

HARDWARE

C Cam Lock Ø15 x5

COMPONENTS

2 Right Side Panel x1

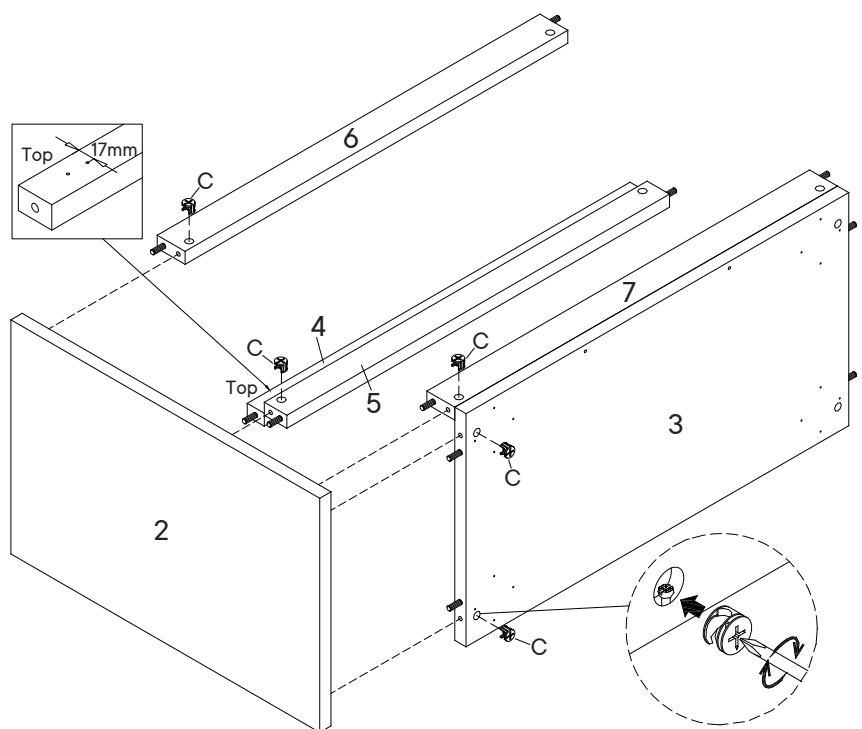
3 Bottom Panel x1

4 Front Support x1

5 Support Panel x1

6 Back Panel 1 x1

7 Back Panel 2 x1



Step 5

HARDWARE

C Cam Lock Ø15 x5

COMPONENTS

1 Left Side Panel x1

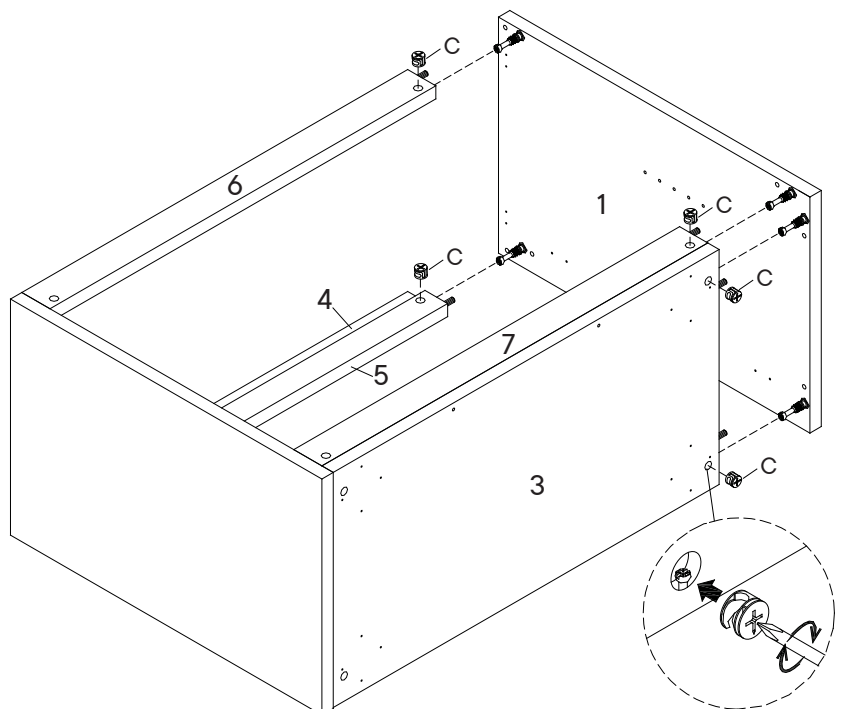
3 Bottom Panel x1

4 Front Support x1

5 Support Panel x1

6 Back Panel 1 x1

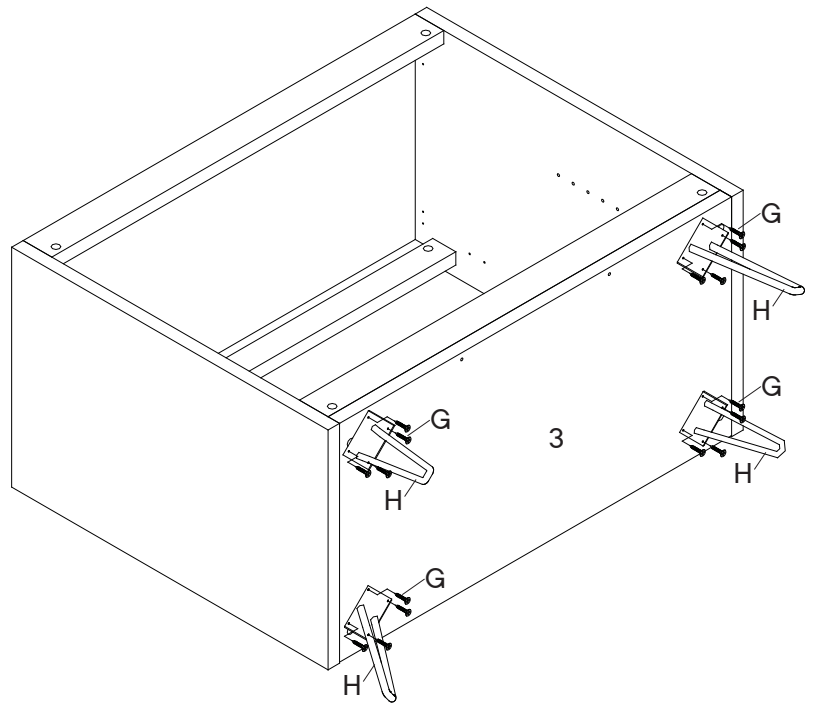
7 Back Panel 2 x1



Step 6

HARDWARE

- G** Screw 4 x 20mm x16
- H** Metal Leg x4



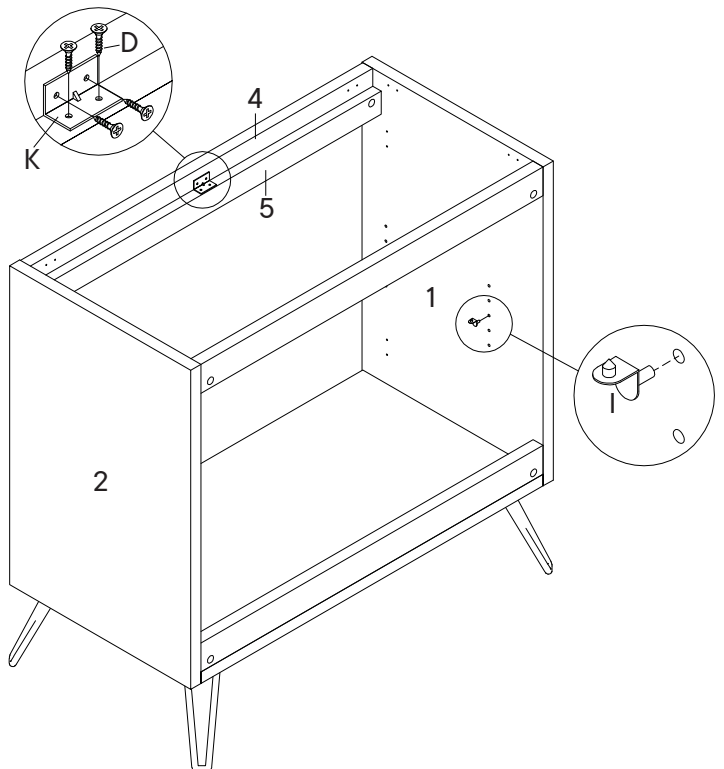
Step 7

HARDWARE

- D** Screw 4 x 14mm x4
- I** Shelf Support x4
- K** L-Bracket x1

COMPONENTS

- 1** Left Side Panel x1
- 2** Right Side Panel x1
- 4** Front Support x1
- 5** Support Panel x1



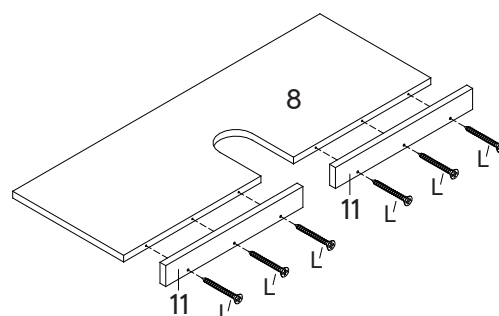
Step 8

HARDWARE

- L** Screw 9 x 38mm x6

COMPONENTS

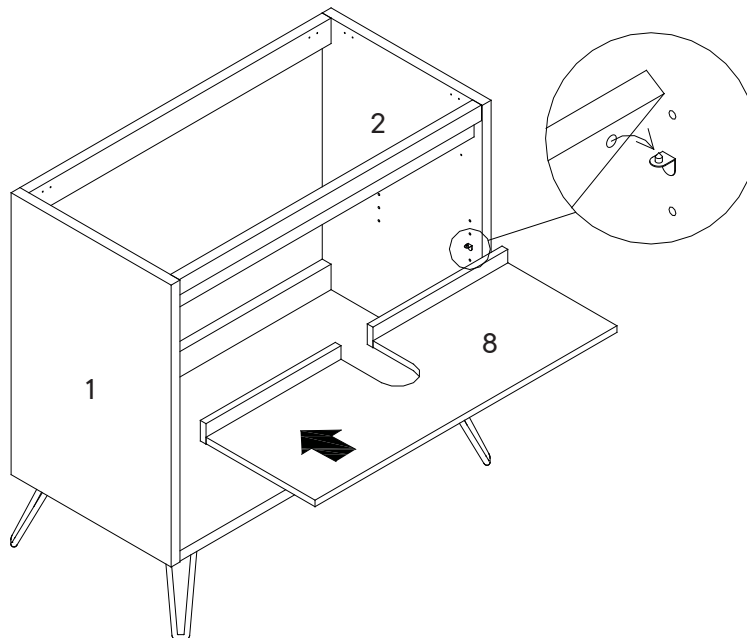
- 8** Shelf Panel x1
- 11** Base Panel x2



Step 9

COMPONENTS

- 8 Shelf Panel x1



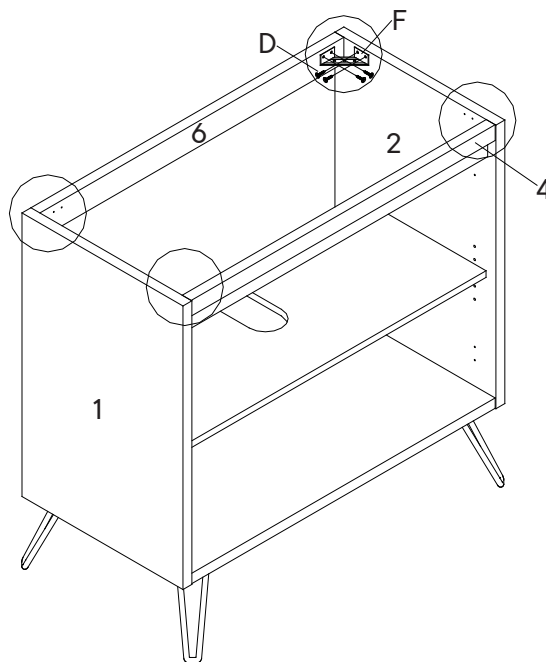
Step 10

HARDWARE

- D Screw 4 x 14mm x16
- F Corner Bracket x4

COMPONENTS

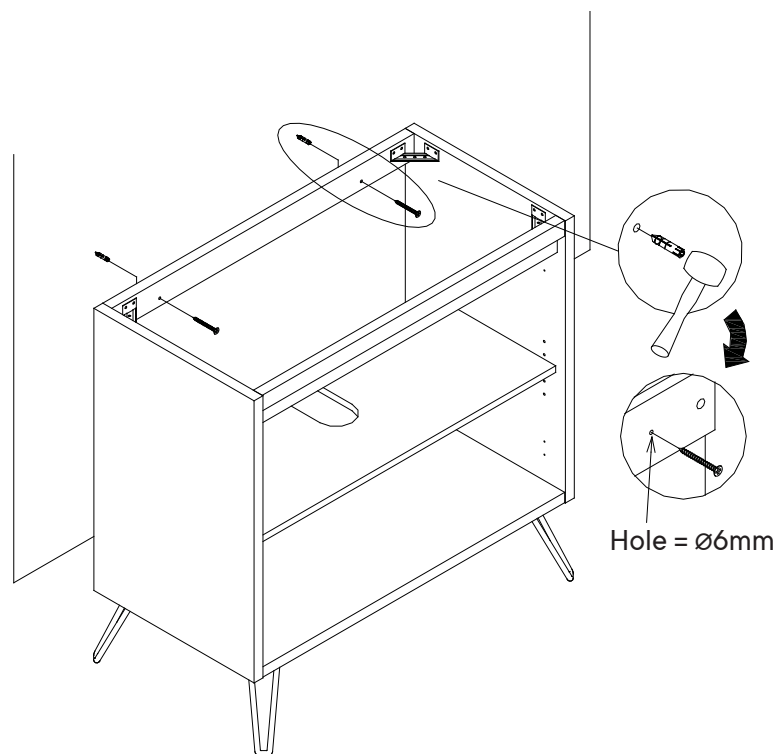
- 1 Left Side Panel x1
- 2 Right Side Panel x1
- 4 Front Support x1
- 6 Back Panel 1 x1



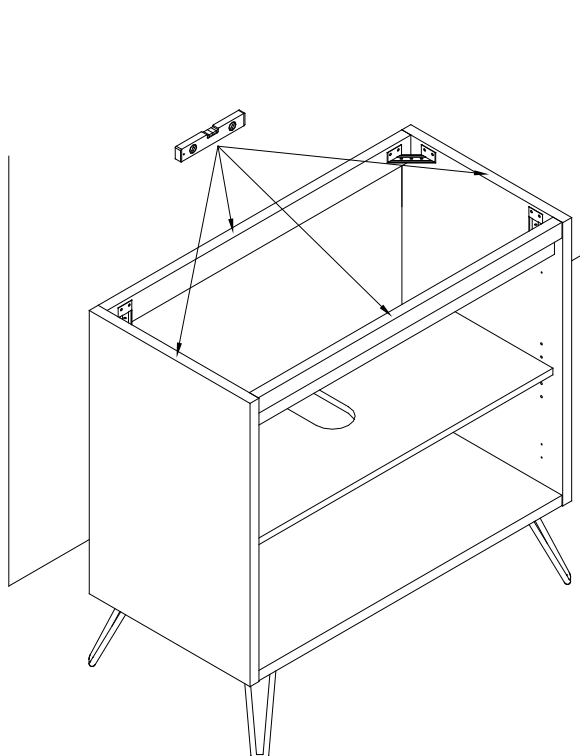
Step 11

NOTE: Mounting hardware
and tools are not included.

We suggest professional



Step 12



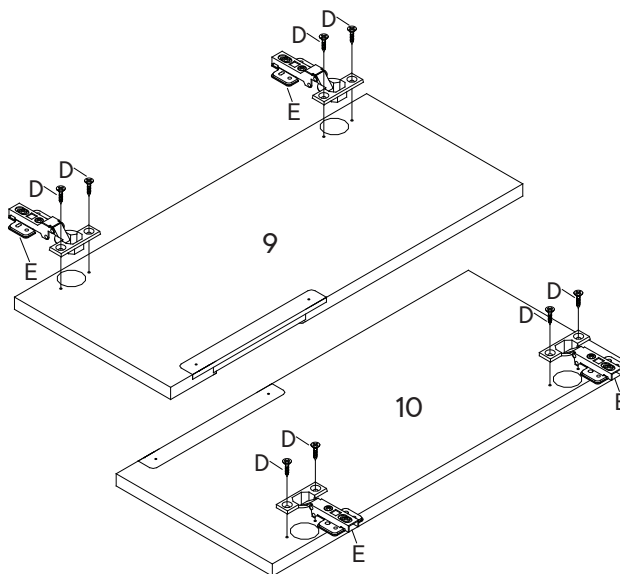
Step 13

HARDWARE

- D** Screw 4 x 14mm x8
- E** Door Hinge x4

COMPONENTS

- 9** Door Panel Left x1
- 10** Door Panel Right x1



Step 14

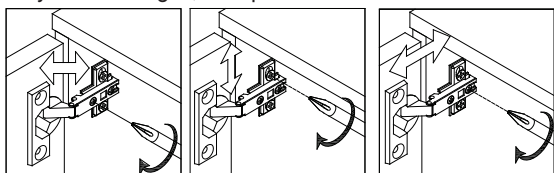
HARDWARE

- D** Screw 4 x 14mm x16
- J** Rubber Pad x6

COMPONENTS

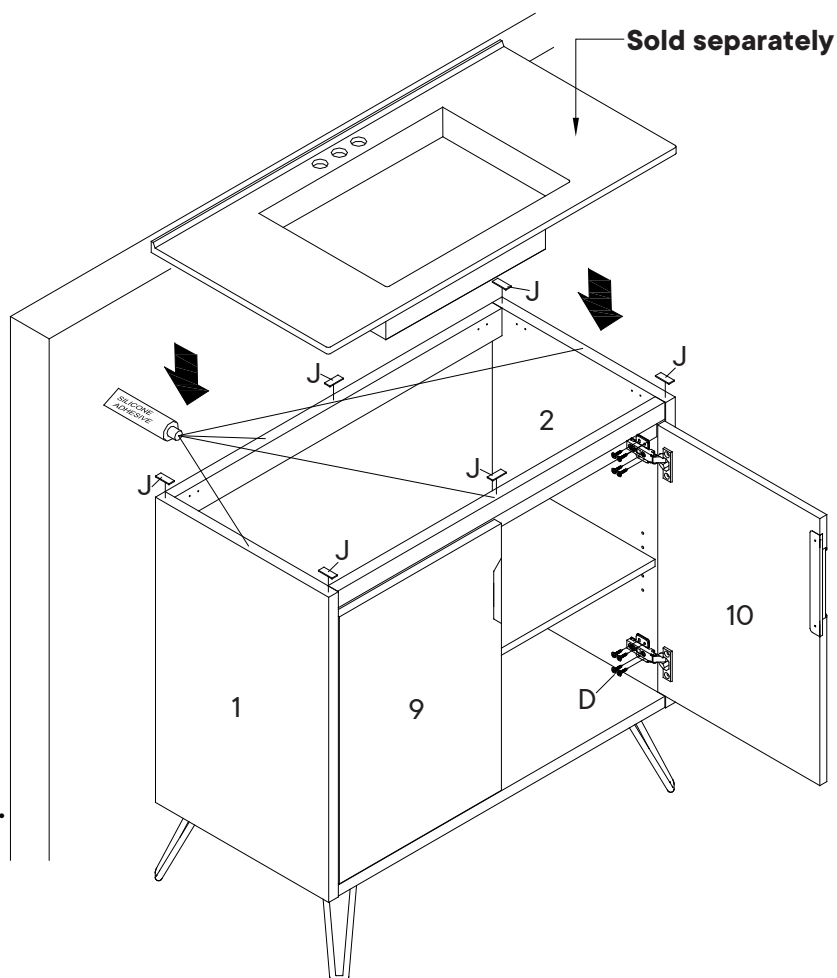
- 9** Door Panel Left x1
- 10** Door Panel Right x1

Adjust the hinges, if required.



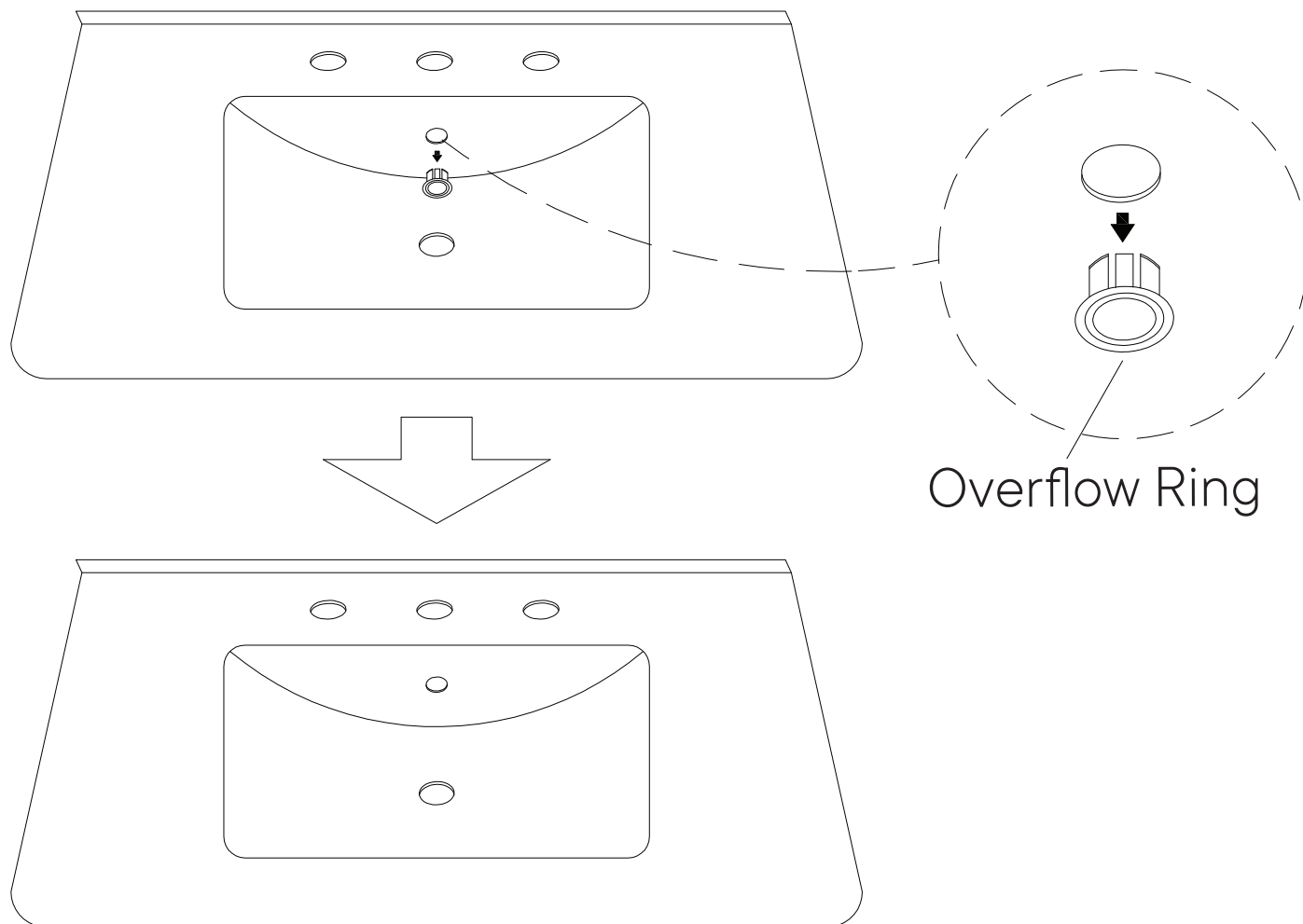
Adjust laterally Adjust height Adjust depth

Temporarily remove/dismantle the Door & Shelf during Basin/Sink /Plumbing work installation work to prevent water damage.



A quick note...

Your sink basin comes complete with a silver overflow ring.
If you'd like to remove this overflow ring, you can do so by hand.



Wait!

Missing parts or hardware? Need assistance?
Contact us before returning your item. We're here to help!
609.256.9000 • cs@modway.com

Great job!

Cabinet assembly is complete.

♥ CARING FOR YOUR ITEM

Indoor use only.

Not contract grade.

Clean using a non-abrasive cloth and a mild cleaner.

Never use harsh chemicals, as they could damage the finish or integrity of the item.

CONNECT WITH US!   

Tag us [@modway_furniture](#) and [#modway](#) for a chance to be featured.

