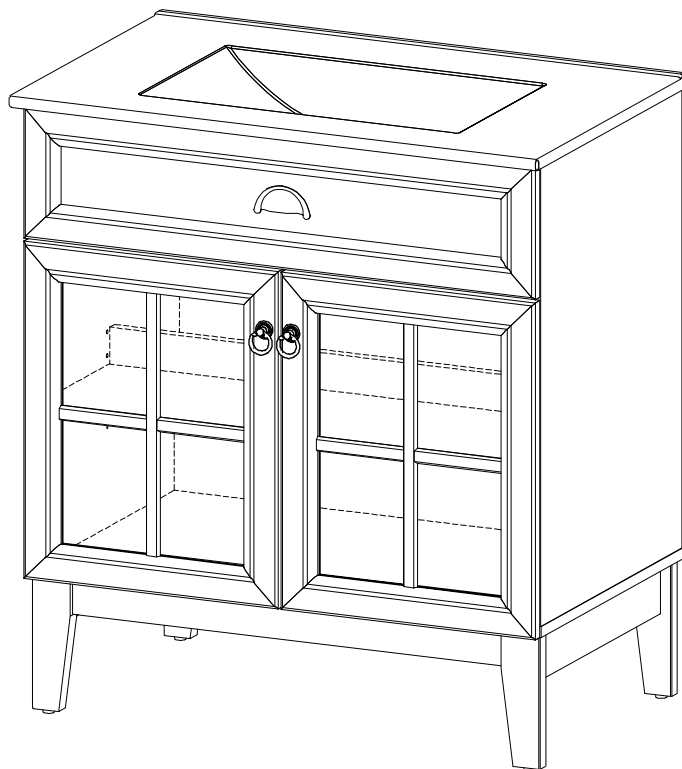


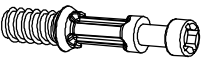




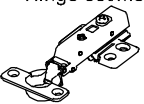
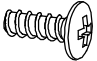
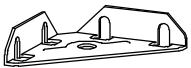





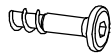
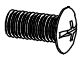

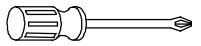
Thank you for purchasing the **MODWAY CABINET** !

Before you start, here are some helpful advice:

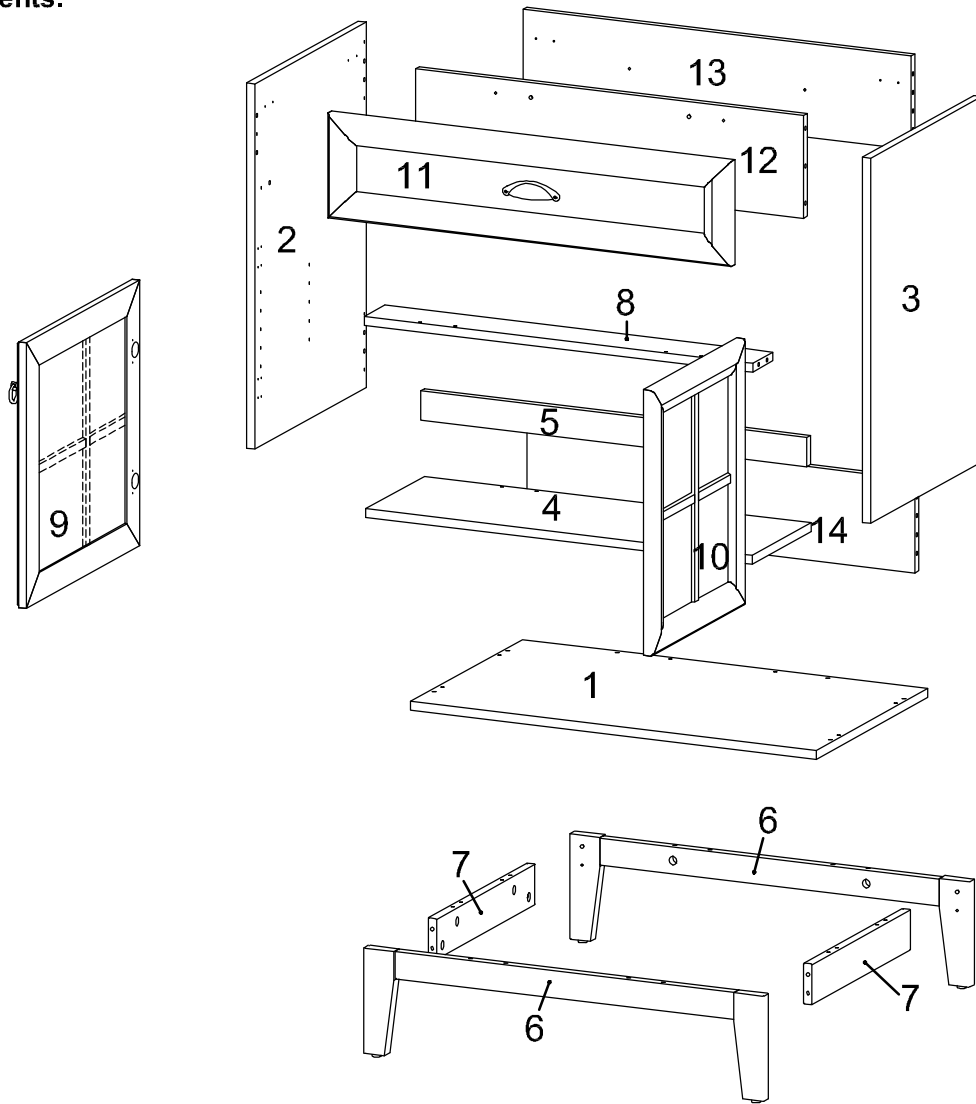
1. We suggest you spend a short time reading through this leaflet and then follow the simple step-by-step instructions.
2. Owing to the size and weight of the Cabinet, we recommend that it is assembled by two adults, on a carpeted or padded area, in the room that it is intended for. Approximate assembly time: 60 minutes.
3. Please do not use any tools other than those Provided or recommended in these instructions.
4. Please do not throw away any of the packaging or instructions until you have checked all the components and hardware and the furniture is fully assembled.
5. Assemble all components loosely until advised to tighten. Depending on use, it may be necessary to tighten the components from time to time, so please save the tools that have been provided.
6. Please keep all pieces out of reach of children.



Hardware :

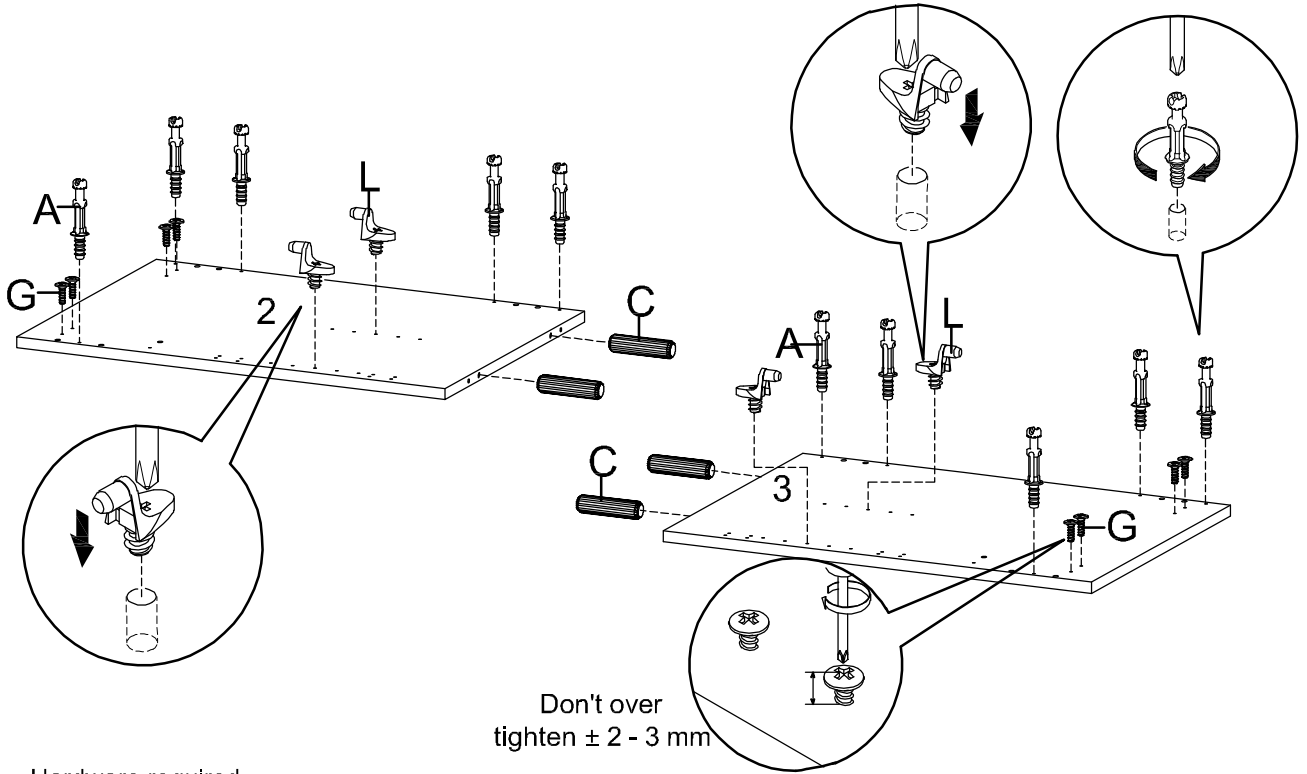
A) Cambolt /Metal  \varnothing 6 x 35 mm x 22	B) CamLock /Metal  \varnothing 15 mm x 22	C) Dowel Big /Wood  \varnothing 8x30 mm x 38	D) Screw/Metal  M 7 x 50 mm x 10	E) Hex/Allen Key/Metal  L 4 x 1
F) Hinge set/Metal  x 4	G) Screw/Metal  M 4.5 x 12.5 mm x 40	H) Bracket/Metal  x 4	I) Handle/Metal  x 1	J) Handle/Metal  x 2
K) Screw/Metal  M 4 x 22 mm x 2	L) Shelf Support/Metal  x 4	M) Dowel Small/Wood  \varnothing 8x20 mm x 4	N) Screw/Metal  M 6.4 x 25 mm x 6	O) Screw/Metal  M 4 x 8 mm x 2
P) Floor Protector/Sponge/Felt  25 x 15 x 2 mm x 8	Q) Screwdriver (Not Include)  x 1			

Components:



1	Bottom Board	x1	2	Side Board Left	x1	3	Side Board Right	x1
4	Adjustable Shelf	x1	5	Support Board 1	x1	6	Assembly Leg	x2
7	Support Leg	x2	8	Support Board 2	x1	9	Frame Door Left	x1
10	Frame Door Right	x1	11	Frame Board	x1	12	Support Board 3	x1
13	Back Board 1	x1	14	Back Board 2	x1			

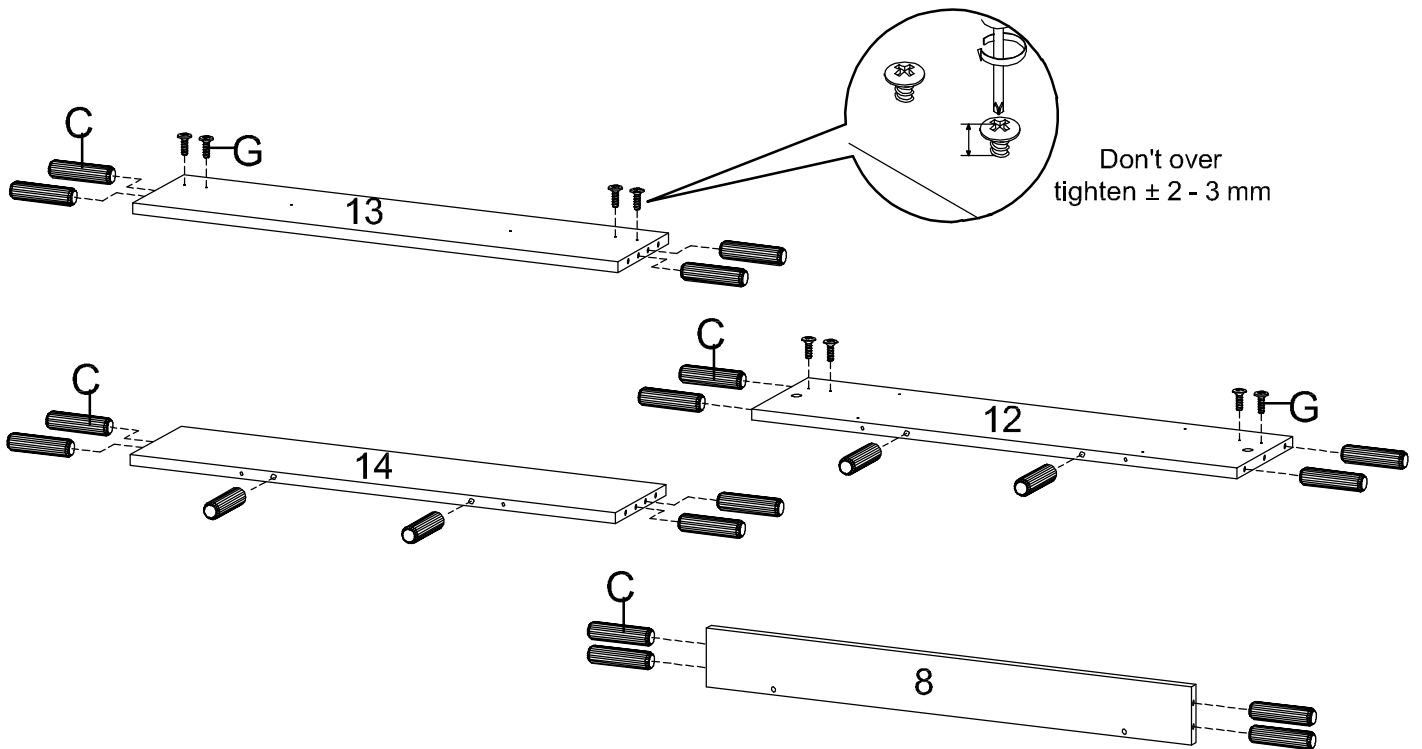
STEP 1:



Hardware required.
Screwdriver not included

A x 10	C x 4	G x 8	L x 4	Q x 1

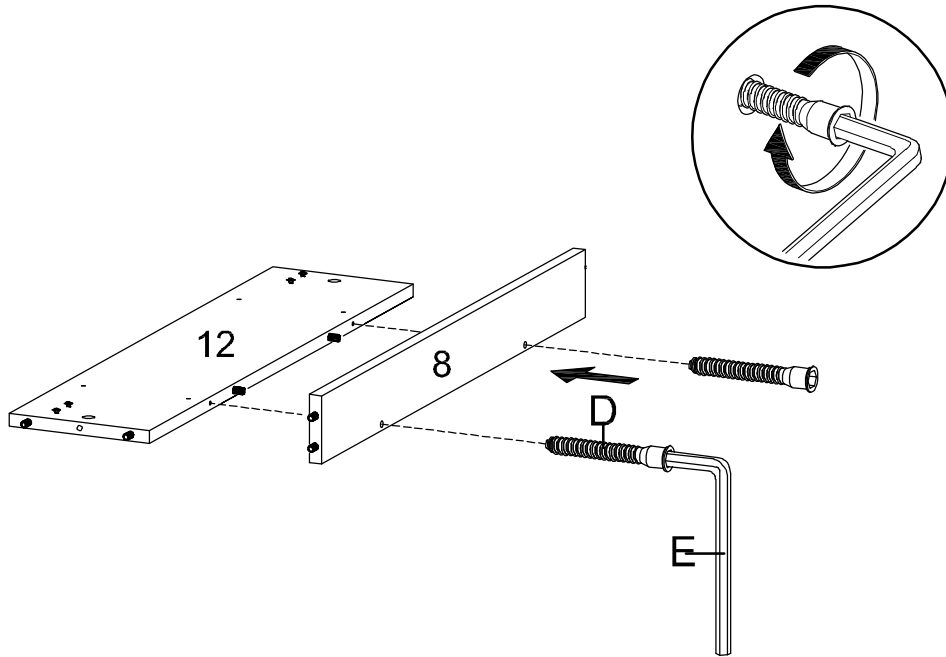
STEP 2:





C x 20	G x 8	Q x 1

Hardware required.
Screwdriver not included

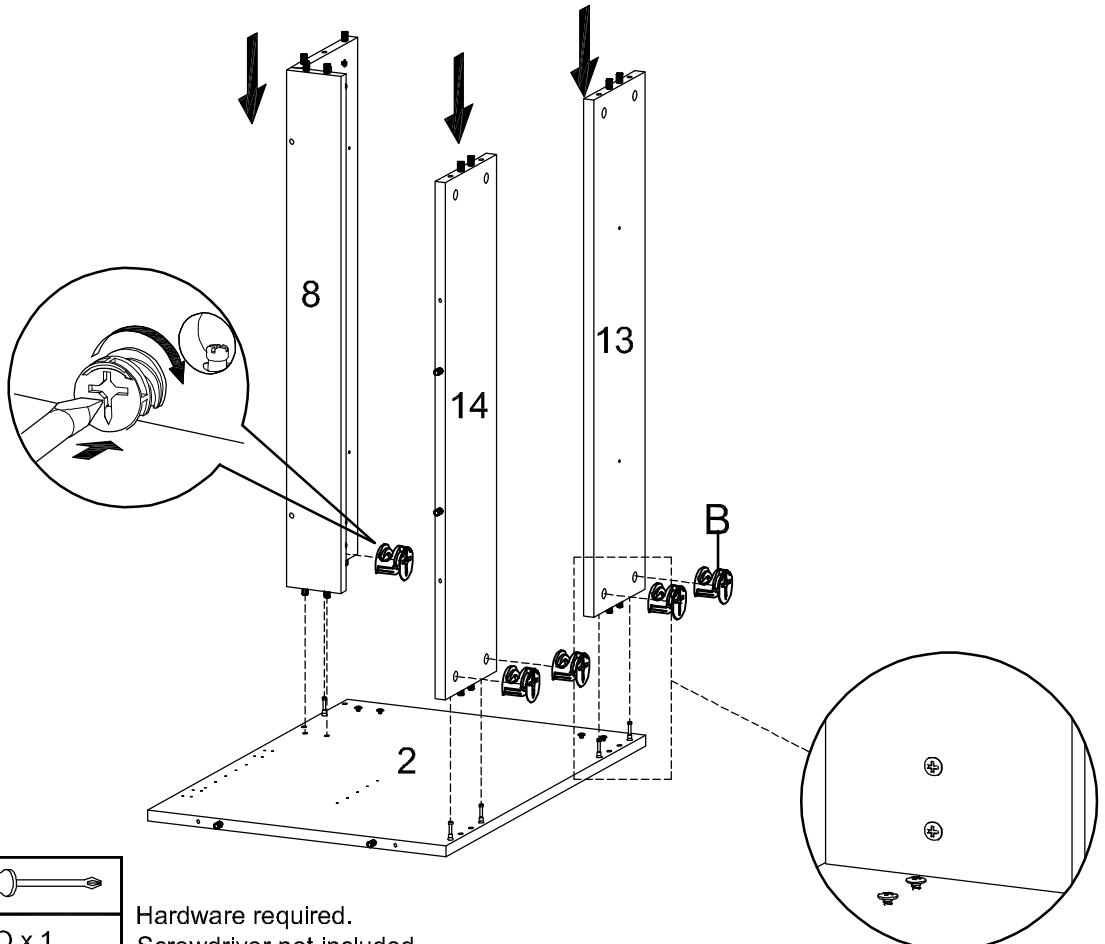
STEP 3:


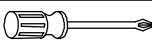


	
D x 2	E x 1

Hardware required.

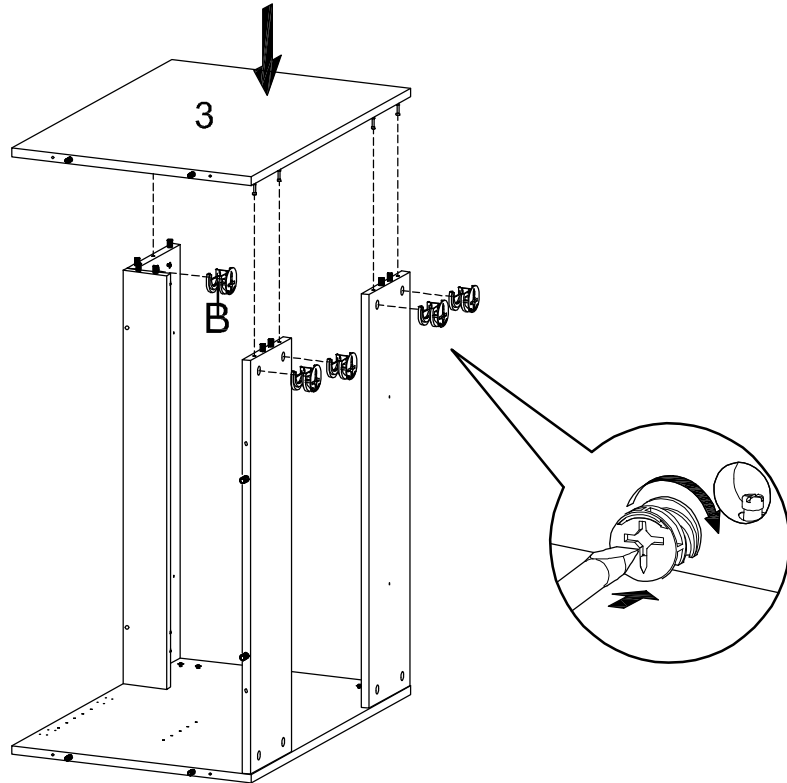
STEP 4:



	
B x 5	Q x 1

Hardware required.
Screwdriver not included

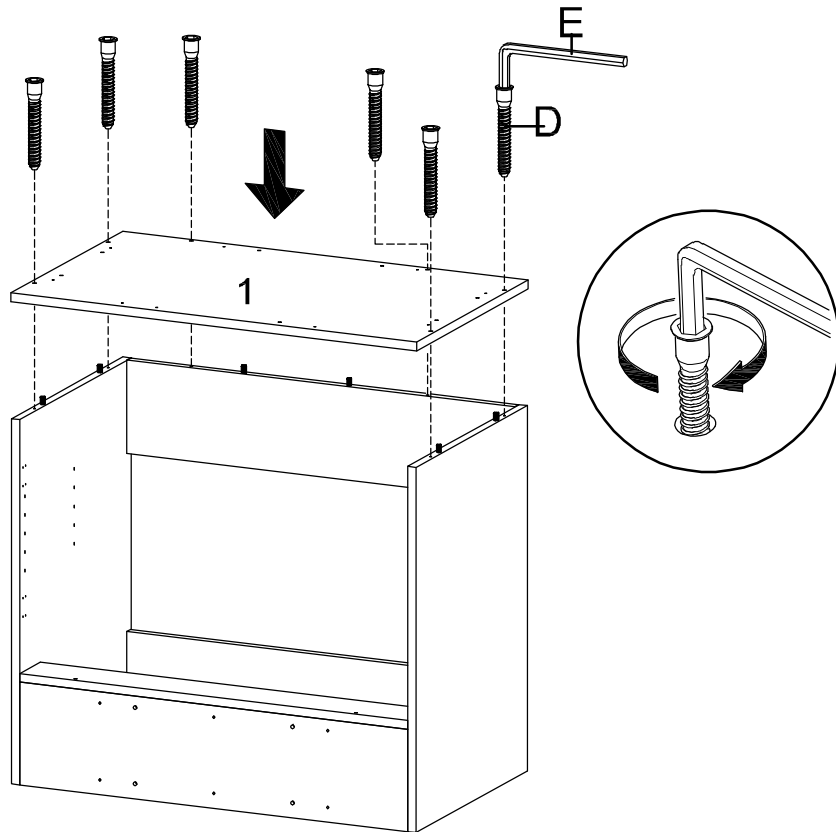
STEP 5:



B x 5	Q x 1

Hardware required.
Screwdriver not included

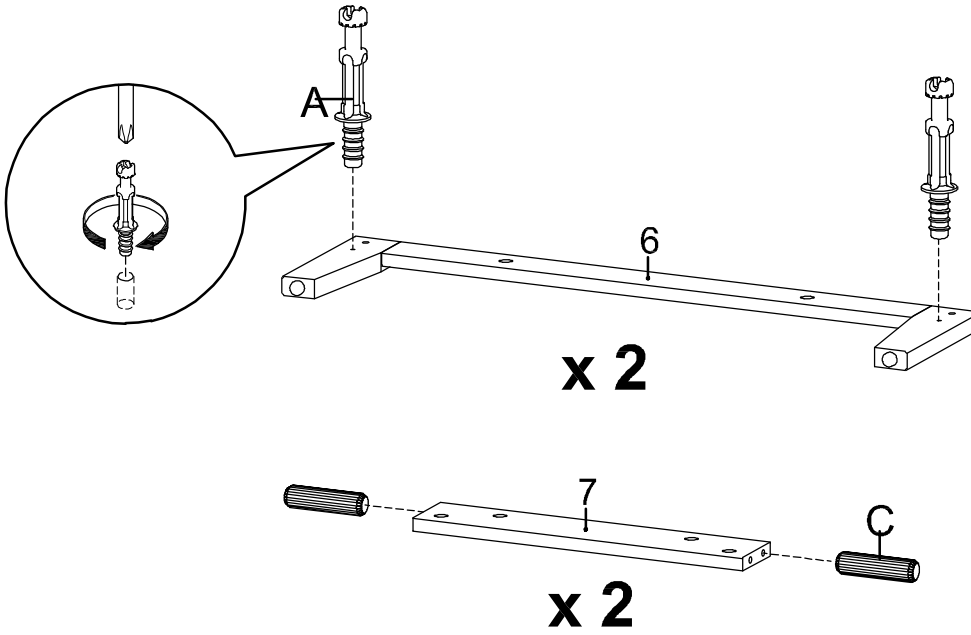
STEP 6:



D x 6	E

Hardware required.

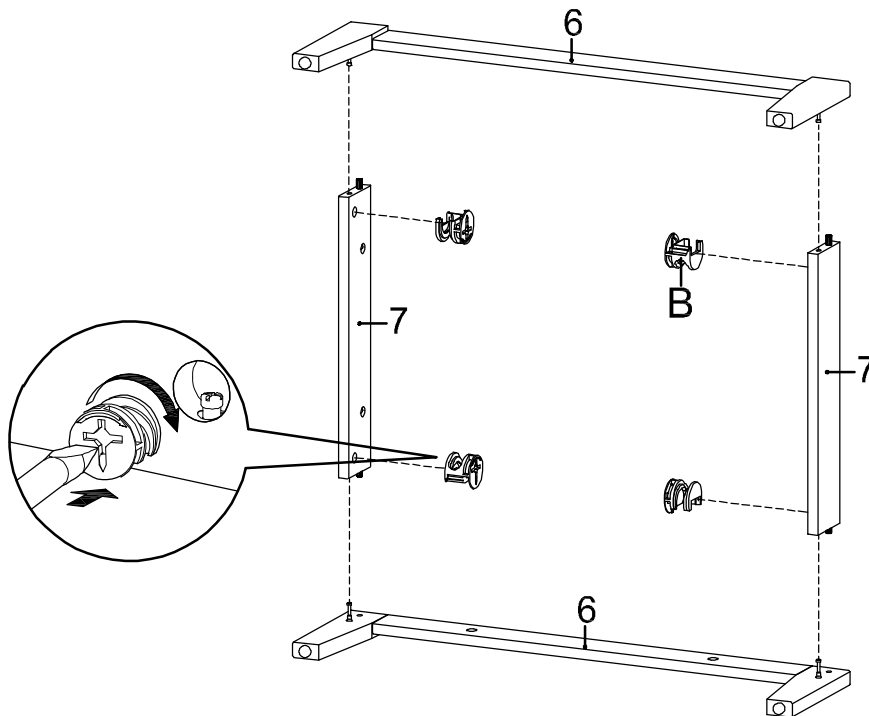
STEP 7:



A x 4	C x 4	Q x 1

Hardware required.
Screwdriver not included

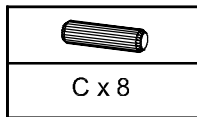
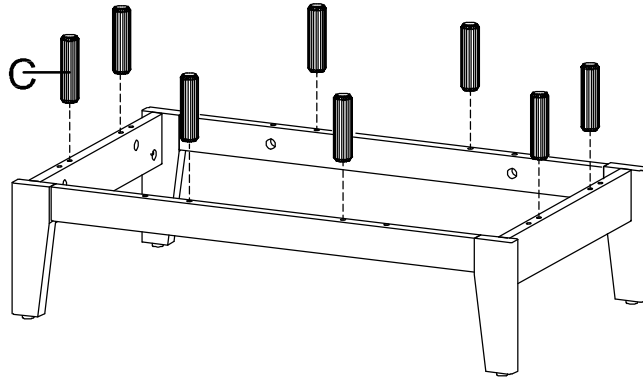
STEP 8:



B x 4	Q x 1

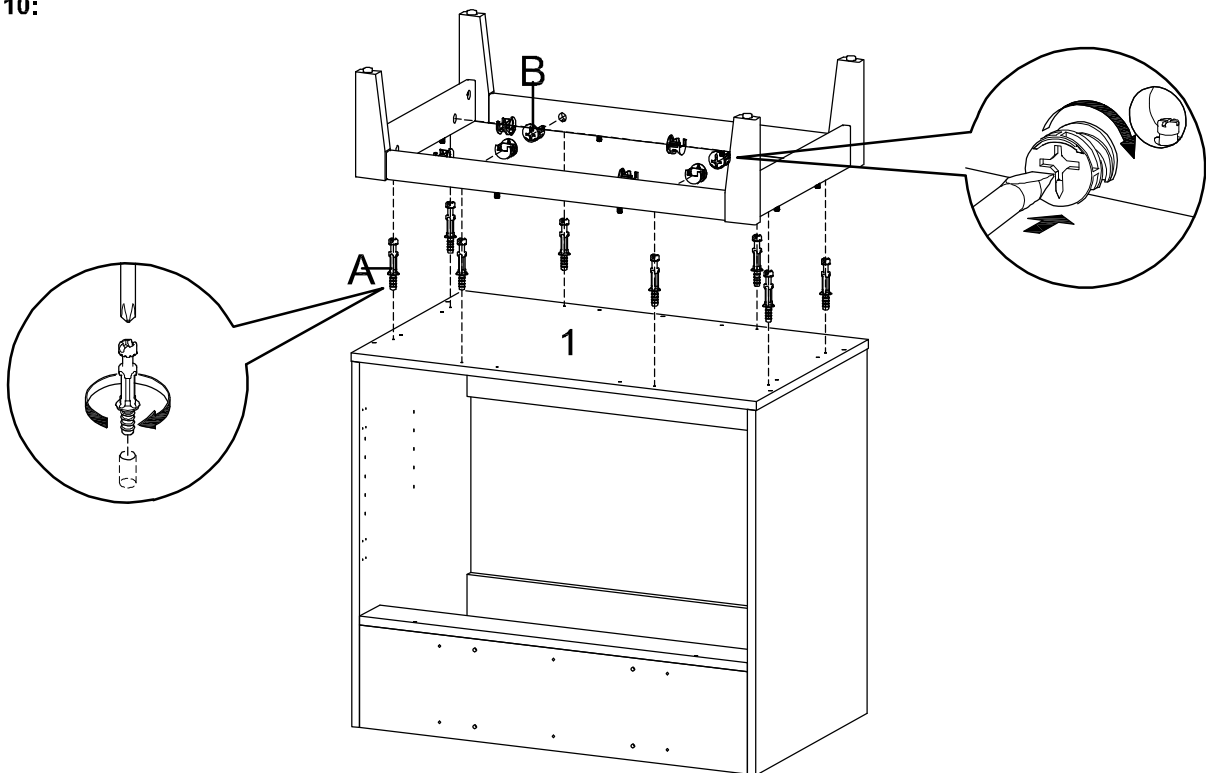
Hardware required.
Screwdriver not included

STEP 9:



C x 8 Hardware required.

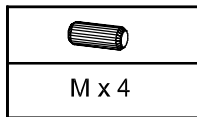
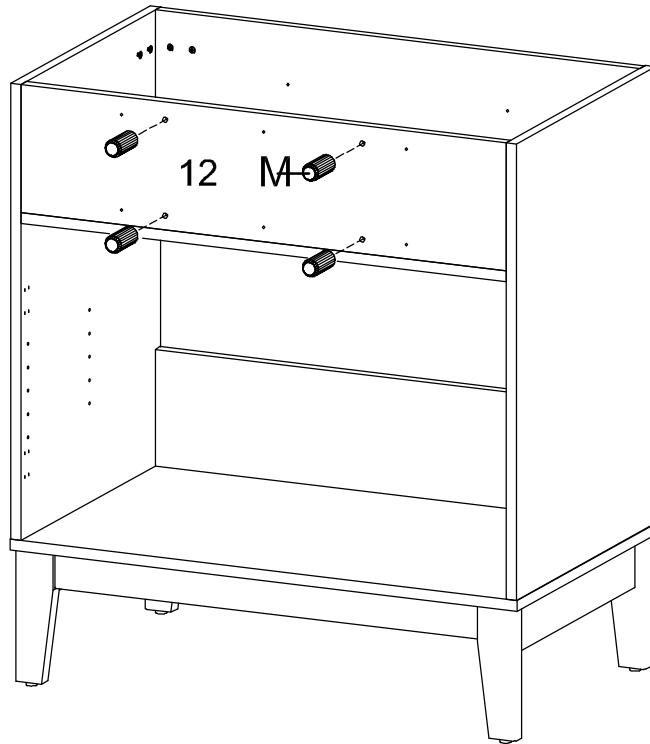
STEP 10:



A x 8	B x 8	Q x 1

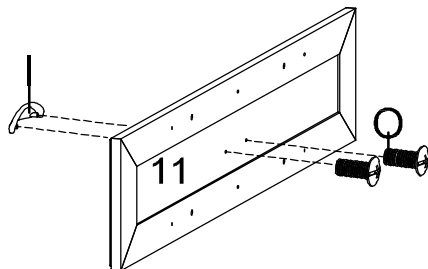
Hardware required.
Screwdriver not included

STEP 11:



Hardware required.

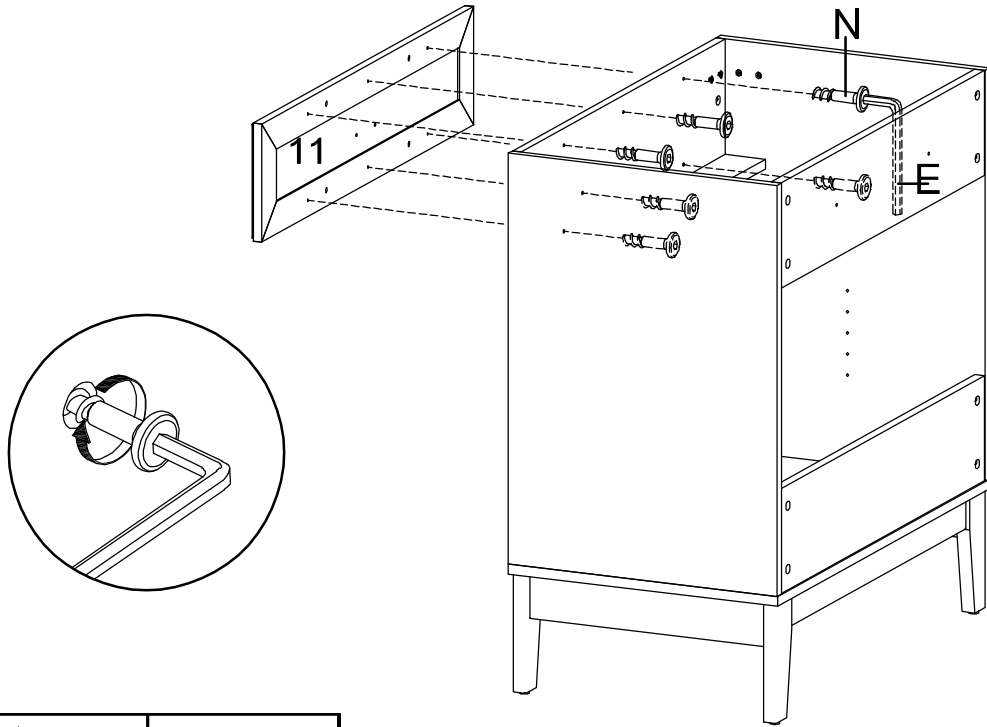
STEP 12:



I x 1	O x 2	Q x 1

Hardware required.
Screwdriver not included

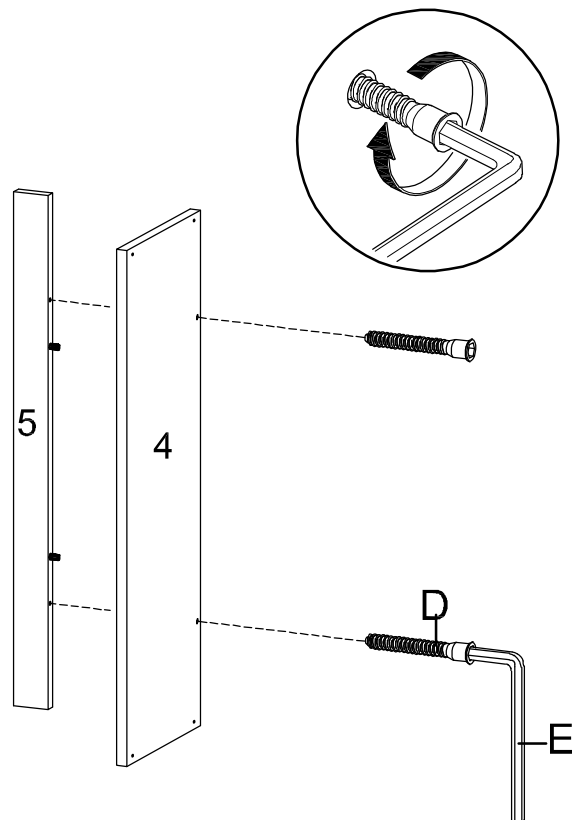
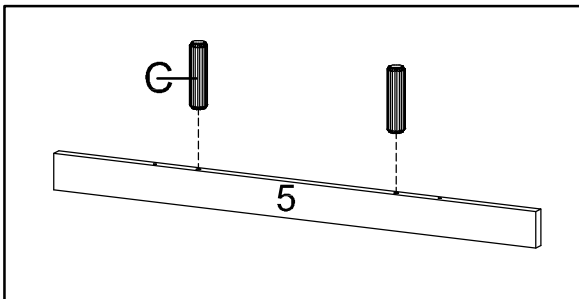
STEP 13:



E	N x 6

Hardware required.

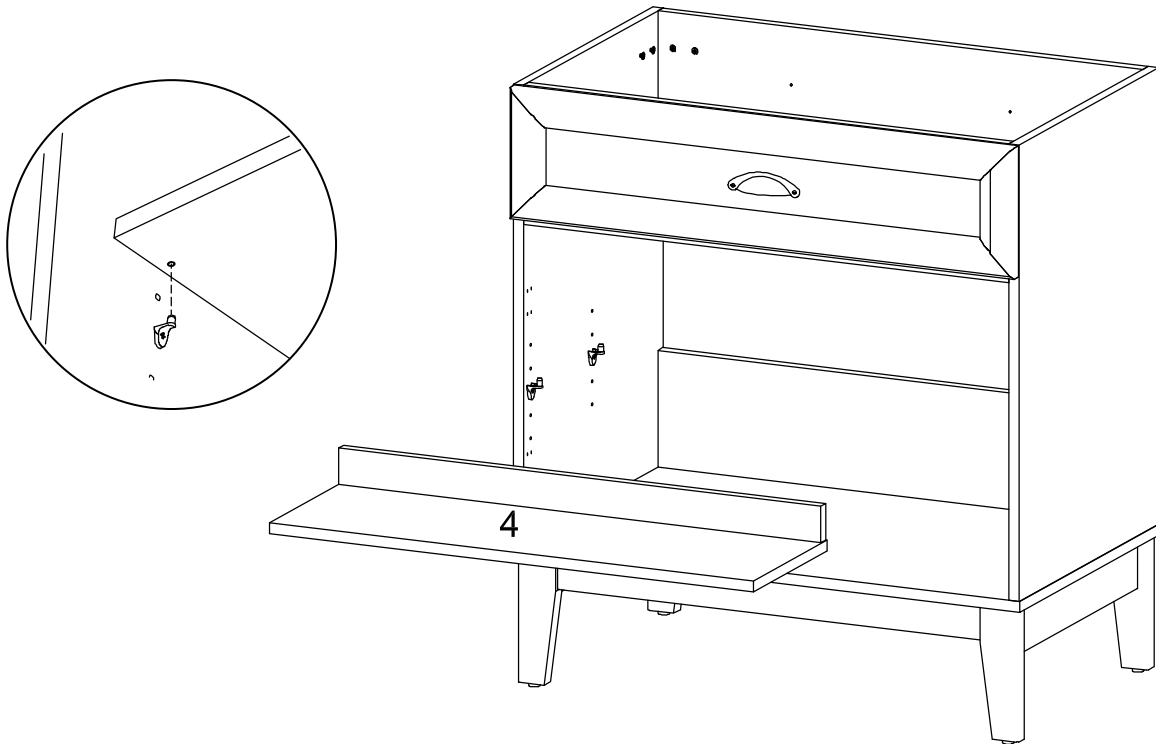
STEP 14:



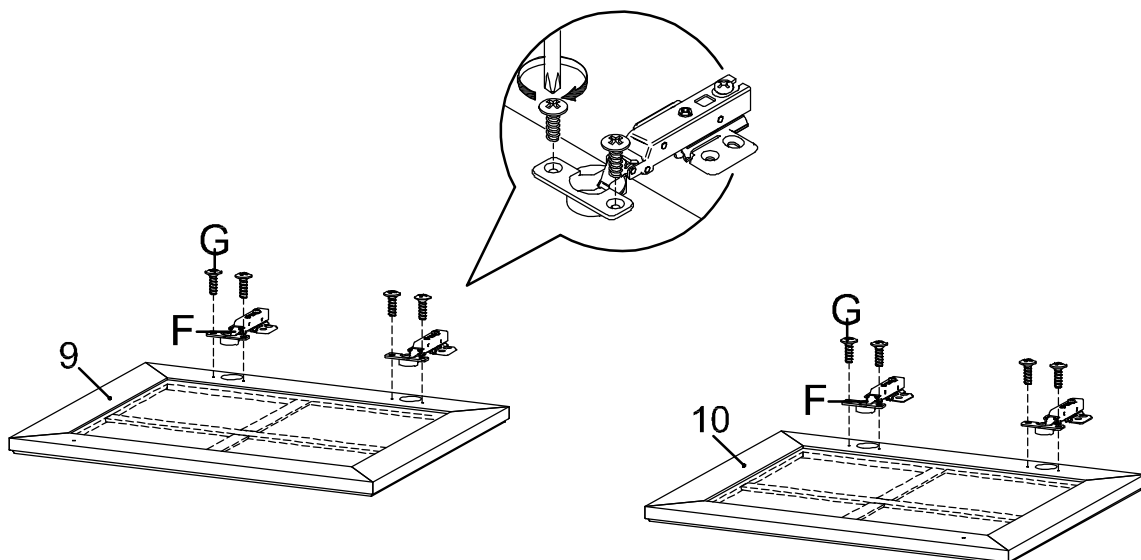
C x 2	D x 2	E

Hardware required.

STEP 15:



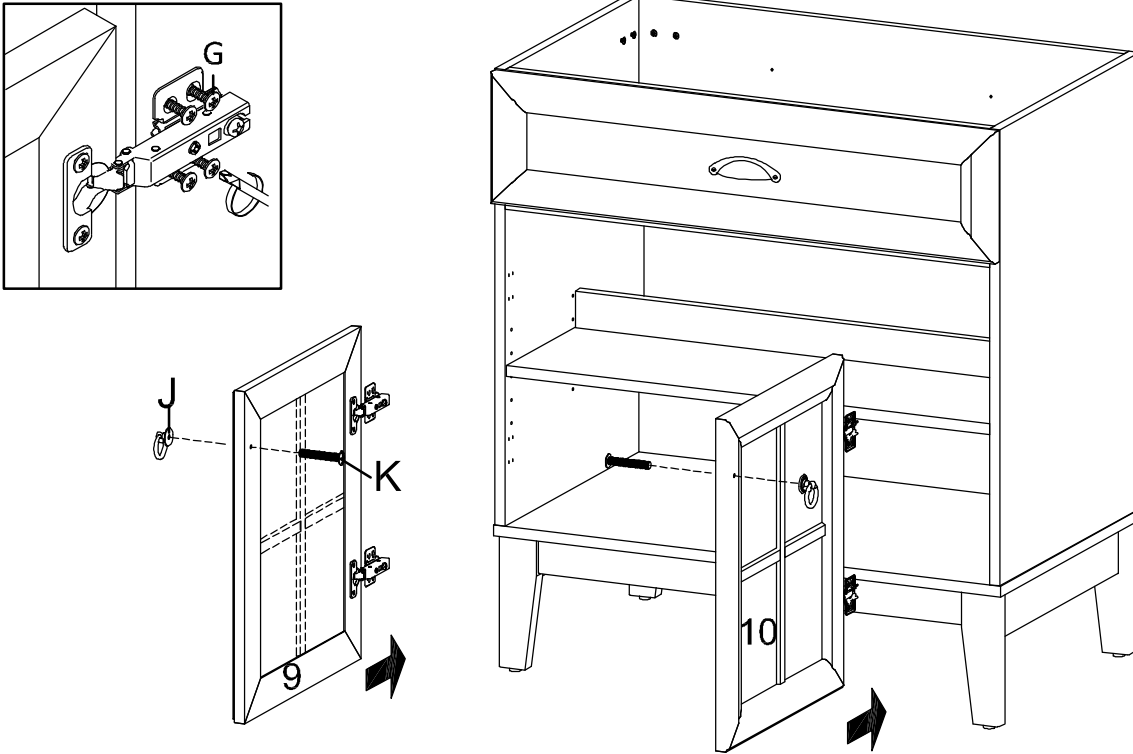
STEP 16:



F x 4	G x 8	Q x 1

Hardware required.
Screwdriver not included

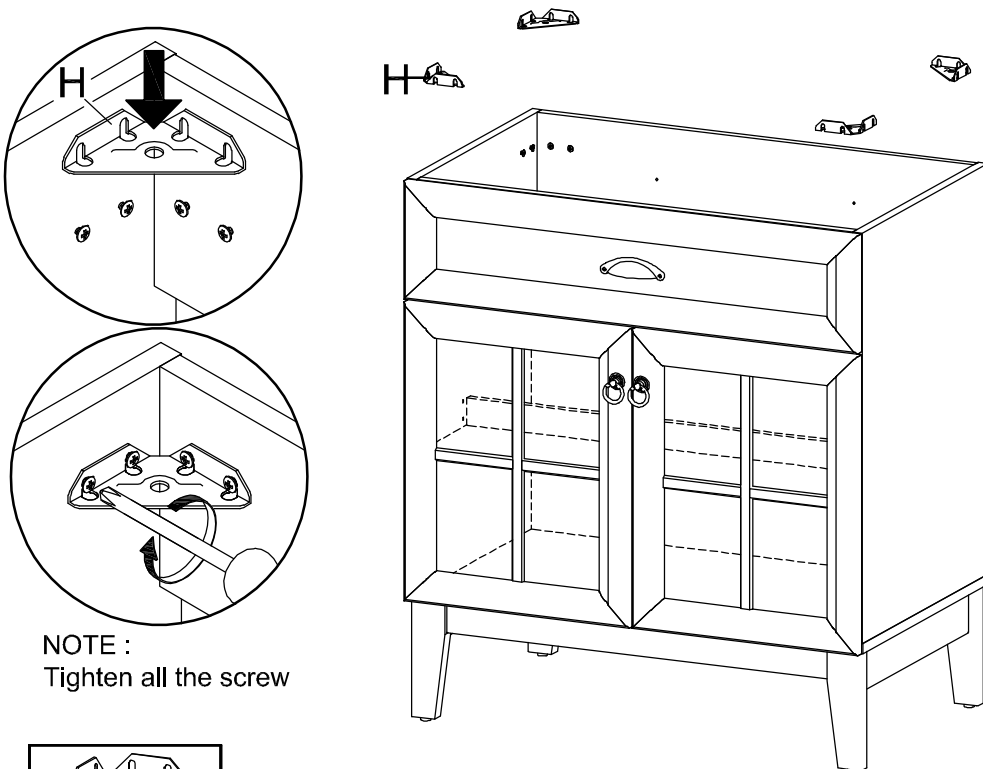
STEP 17:



G x 16	J x 2	K x 2	Q x 1

Hardware required.
Screwdriver not included

STEP 18:




NOTE :
Tighten all the screw

H x 4

Hardware required.
Screwdriver not included

STEP 19:

ATTACHMENT OF FURNITURE
 This furniture may represent a danger for your security if it's attachment on the wall has been done in an incorrect way. This attachment must be done by a person with great expertise who will make sure adequacy between the device of fixing and the wall. Please source the right fitting according to the wall type. For your safety, it is imperative to fix your furniture to the wall

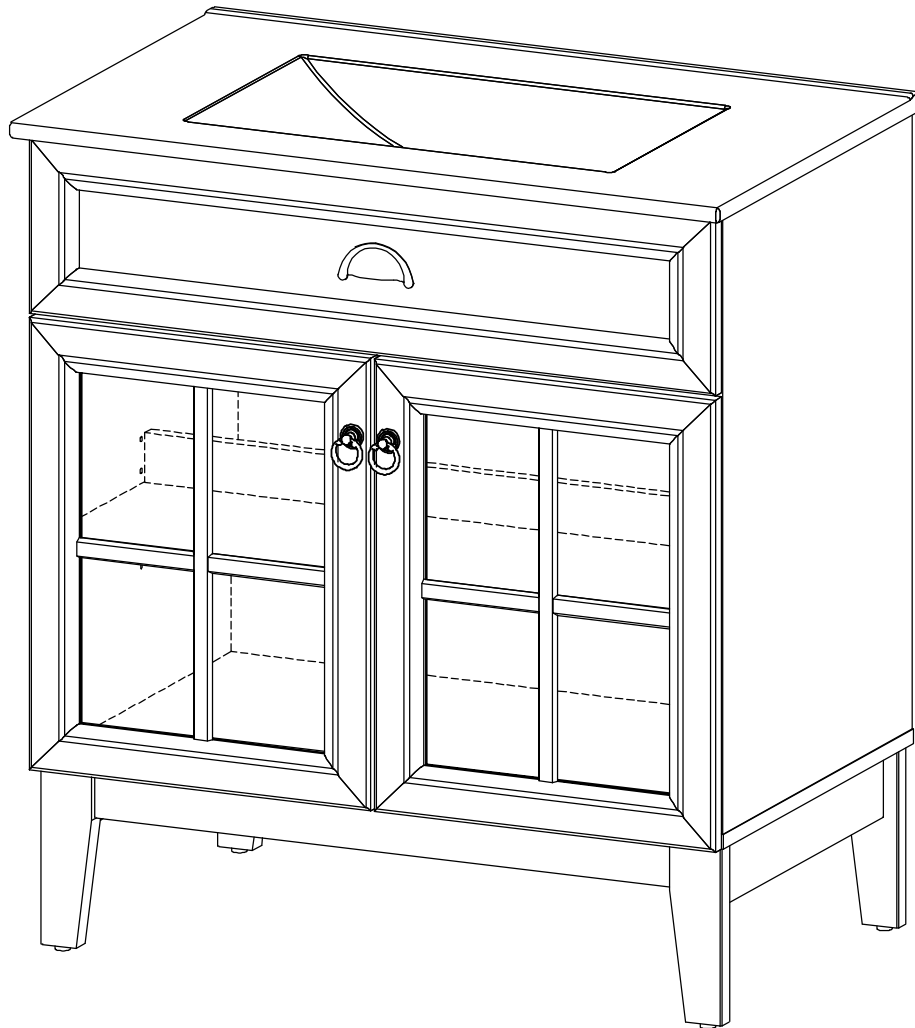
	Hardware required. Screwdriver not included
P x 8	

STEP 20:

Apply a thin bead of silicone compound around the vanity base and set the vanity top carefully in place. Remove any excess silicone compound with a wet rag

Silicone not included

STEP 21:



Assembly is complete. The Cabinet is ready to enjoy now !