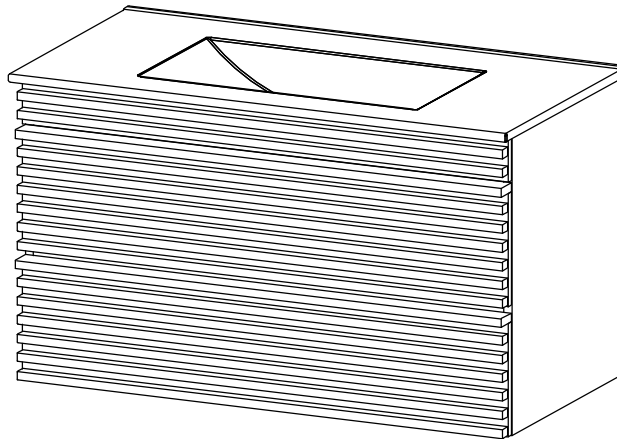


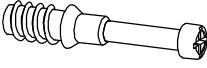


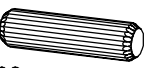


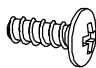
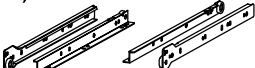


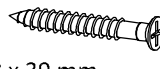
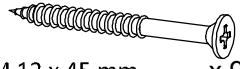
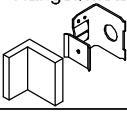


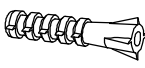

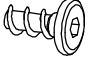
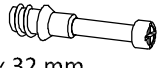
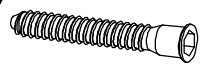
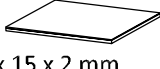


Thank you for purchasing the **MODWAY CABINET** !

Before you start, here are some helpful advice:

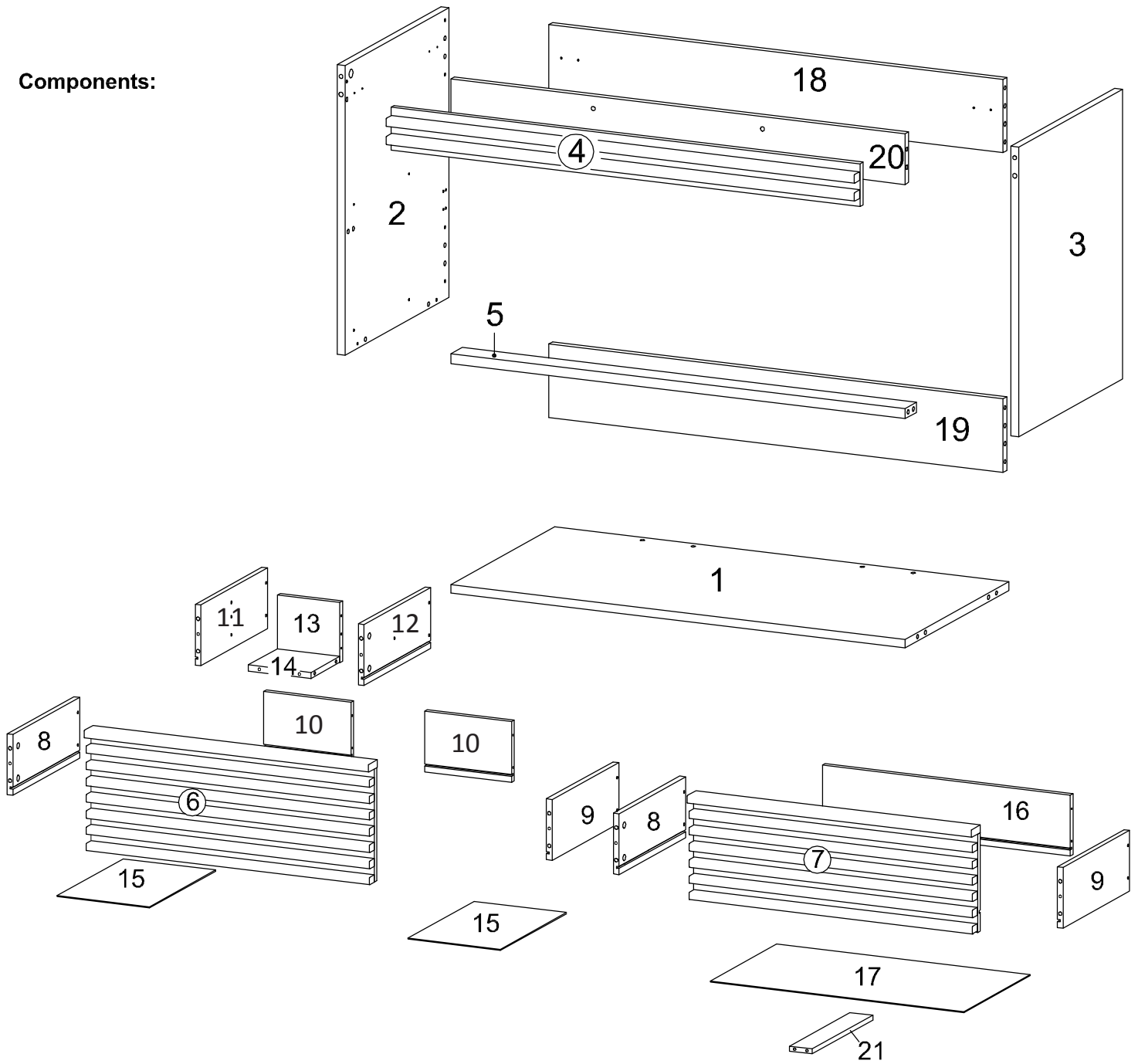
1. We suggest you spend a short time reading through this leaflet and then follow the simple step-by-step instructions.
2. Owing to the size and weight of the Cabinet, we recommend that it is assembled by two adults, on a carpeted or padded area, in the room that it is intended for. Approximate assembly time: 70 minutes.
3. Please do not use any tools other than those provided or recommended in these instructions.
4. Please do not throw away any of the packaging or instructions until you have checked all the components and hardware and the furniture is fully assembled.
5. Assemble all components loosely until advised to tighten. Depending on use, it may be necessary to tighten the components from time to time, so please save the tools that have been provided.
6. Please keep all pieces out of reach of children.



**Hardware :**

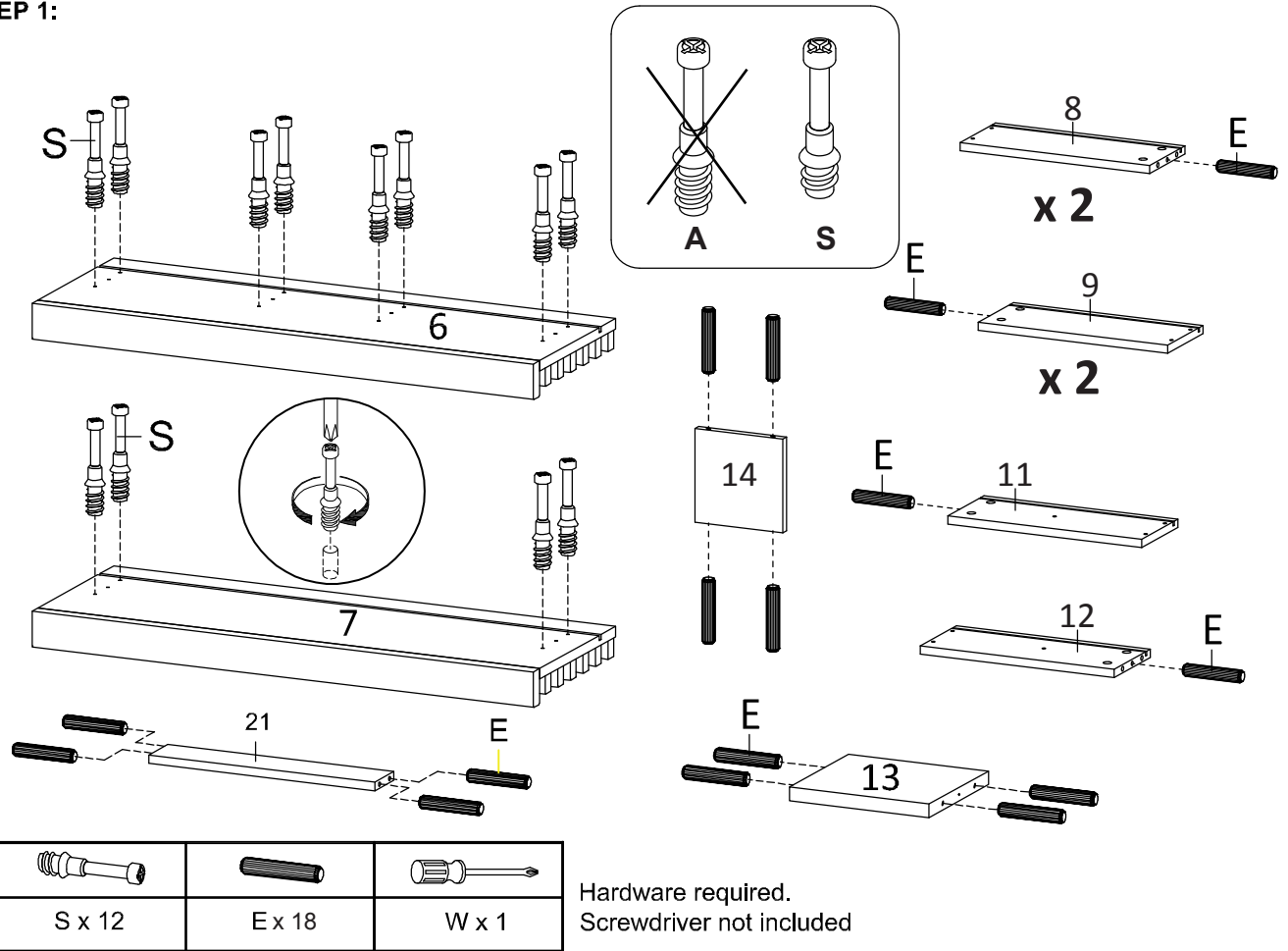
<p>A) Cambolt Big/Metal</p>  <p>∅ 6 x 35 mm x 14</p>	<p>B) CamLock Big/Metal</p>  <p>∅ 15 mm x 16</p>	<p>C) CamLock Small/Metal</p>  <p>∅ 12 mm x 12</p>	<p>D) Dowel Big/Wood</p>  <p>∅ 8x30 mm x 22</p>	<p>E) Dowel Small/Wood</p>  <p>∅ 6x30 mm x 18</p>
<p>F) Bracket/Metal</p>  <p>x 4</p>	<p>G) Screw/Metal</p>  <p>M 4.5 x 12.5 mm x 24</p>	<p>H) Rail/Metal</p>  <p>x 2</p>	<p>I) Screw/Metal</p>  <p>M 6 x 10.5 mm x 8</p>	<p>J) Screw/Metal</p>  <p>M 3.5 x 13 mm x 12</p>
<p>K) Screw/Metal</p>  <p>M 8 x 39 mm x 14</p>	<p>L) Screw/Metal</p>  <p>M 12 x 45 mm x 9</p>	<p>M) Hanger/Metal</p>  <p>x 2</p>	<p>N) Short Bracket/Metal</p>  <p>x 3</p>	<p>O) Screw/Metal</p>  <p>M 6.4 x 25 mm x 2</p>
<p>P) Wall Plug/Plastic</p>  <p>5002 x 9</p>	<p>Q) Long Bracket/Aluminium</p>  <p>x 1</p>	<p>R) Screw/Metal</p>  <p>M 6.4 x 14 mm x 6</p>	<p>S) Cambolt Small/Metal</p>  <p>∅ 6 x 32 mm x 14</p>	<p>T) Screw/Metal</p>  <p>M 7 x 50 mm x 2</p>
<p>U) Floor Protector/Sponge/Felt</p>  <p>25 x 15 x 2 mm x 8</p>	<p>V) Hex/Allen Key/Metal</p>  <p>L 4 x 1</p>	<p>W) Screwdriver (Not Include)</p>  <p>x 1</p>		

Components:

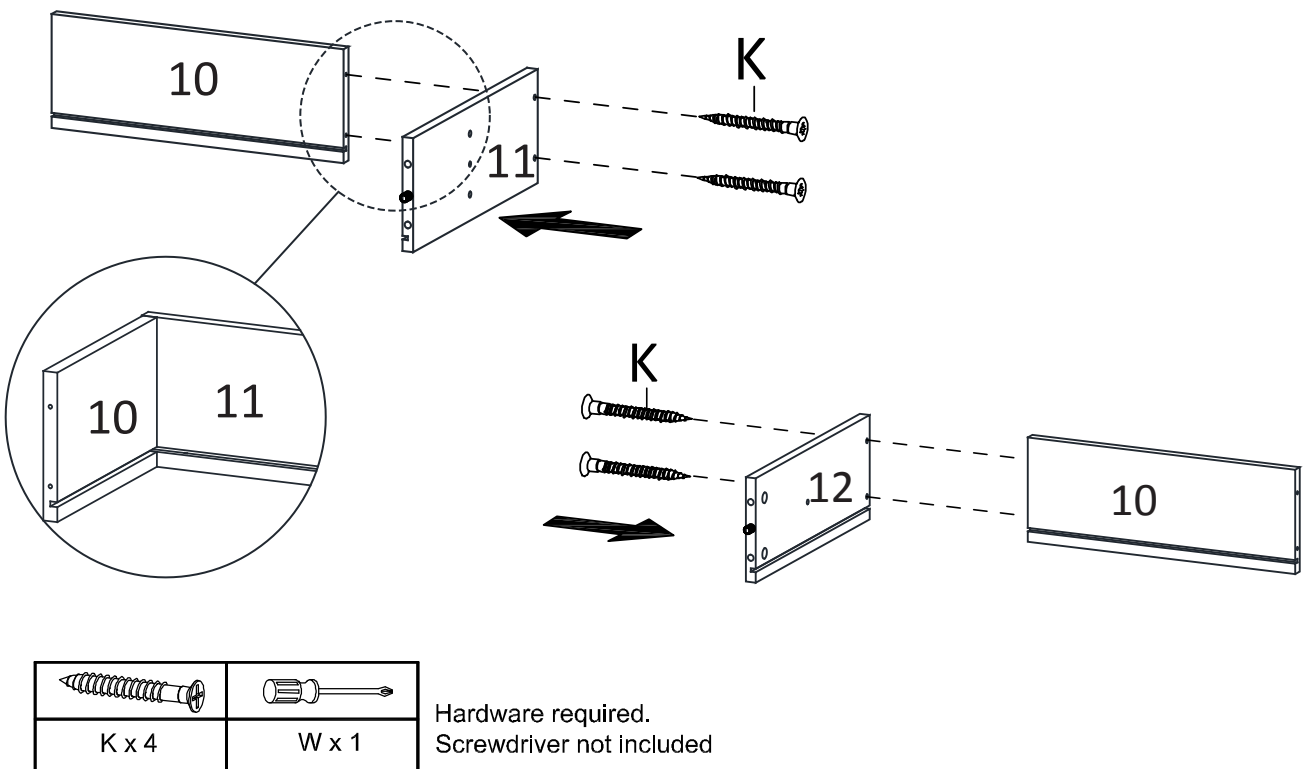


1	Bottom Board	x1	2	Side Board Left	x1	3	Side Board Right	x1	4	Front Skirt 1	x1
5	Front Skirt 2	x1	6	Front Drawer 1	x1	7	Front Drawer 2	x1	8	Side Drawer Left 1	x2
9	Side Drawer Right 1	x2	10	Back Drawer 1	x2	11	Side Drawer Left 2	x1	12	Side Drawer Right 2	x1
13	Support Drawer 1	x1	14	Support Drawer 2	x1	15	Bottom Drawer 1	x2	16	Back Drawer 2	x1
17	Bottom Drawer 2	x1	18	Back Skirt 1	x1	19	Back Skirt 2	x1	20	Front Skirt 3	x1
21	Support Drawer	x1									

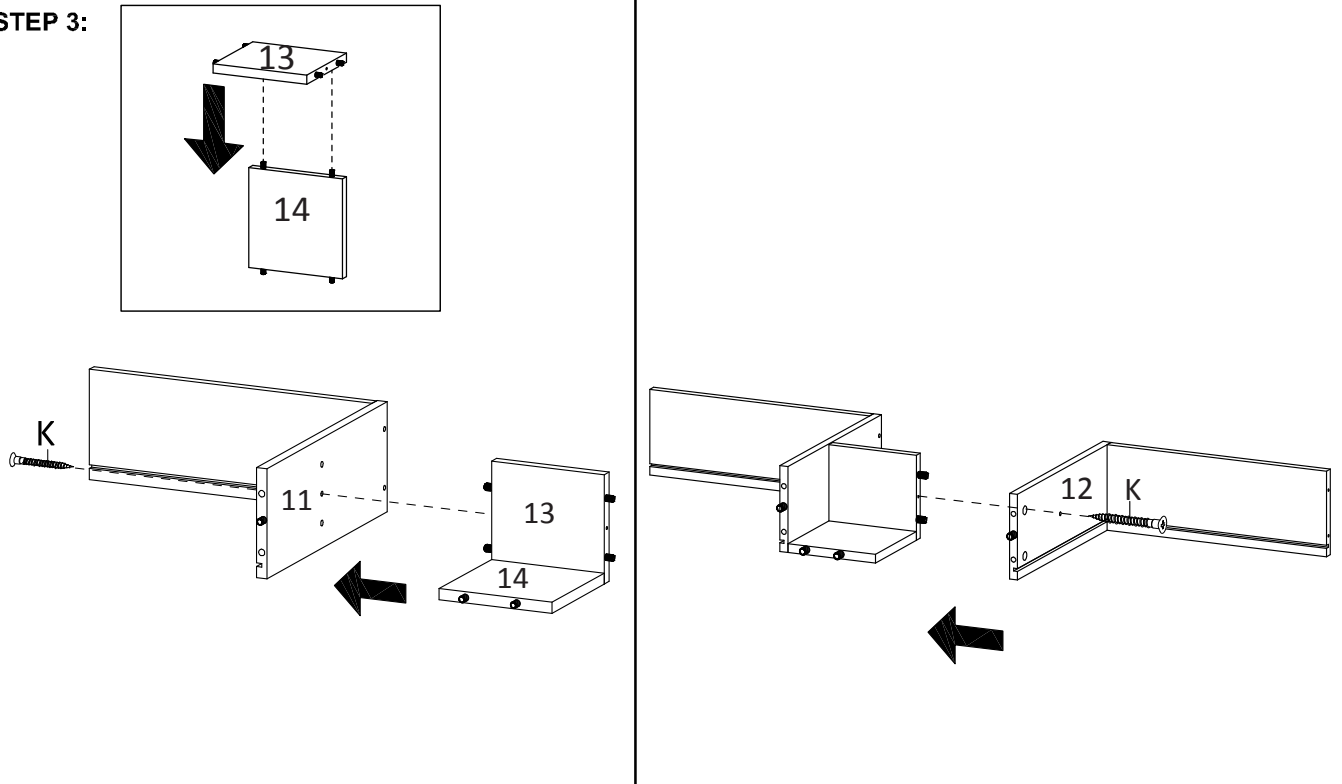
STEP 1:


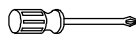


STEP 2:



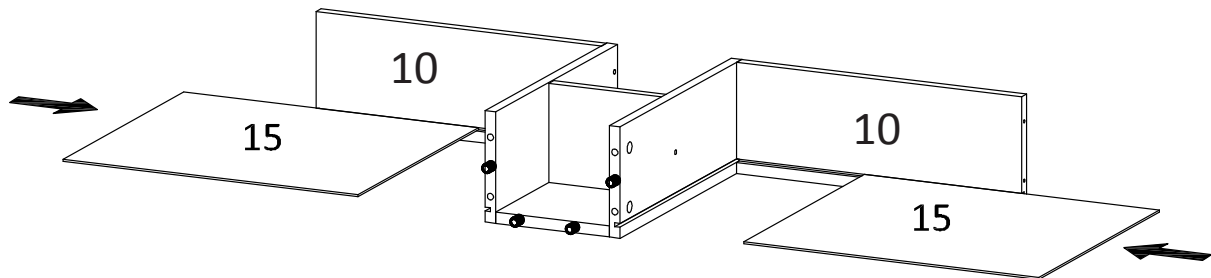
STEP 3:



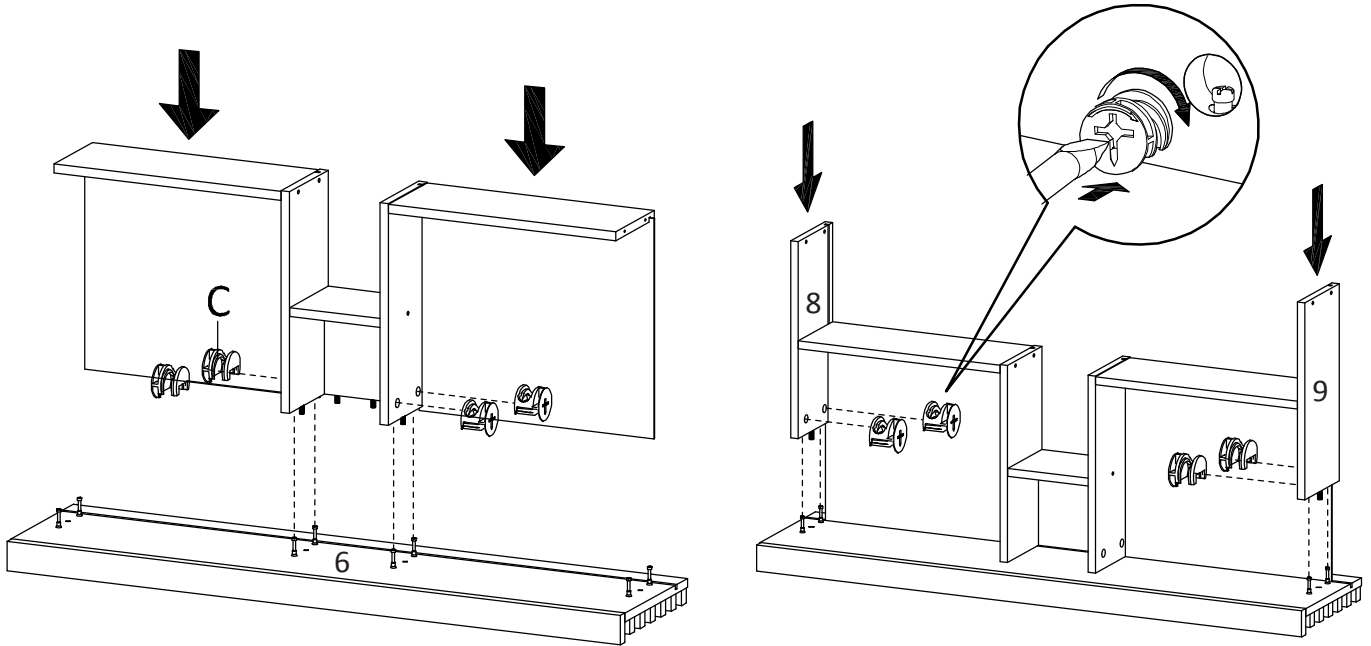
	
K x 2	W x 1

Hardware required.  
Screwdriver not included

STEP 4:



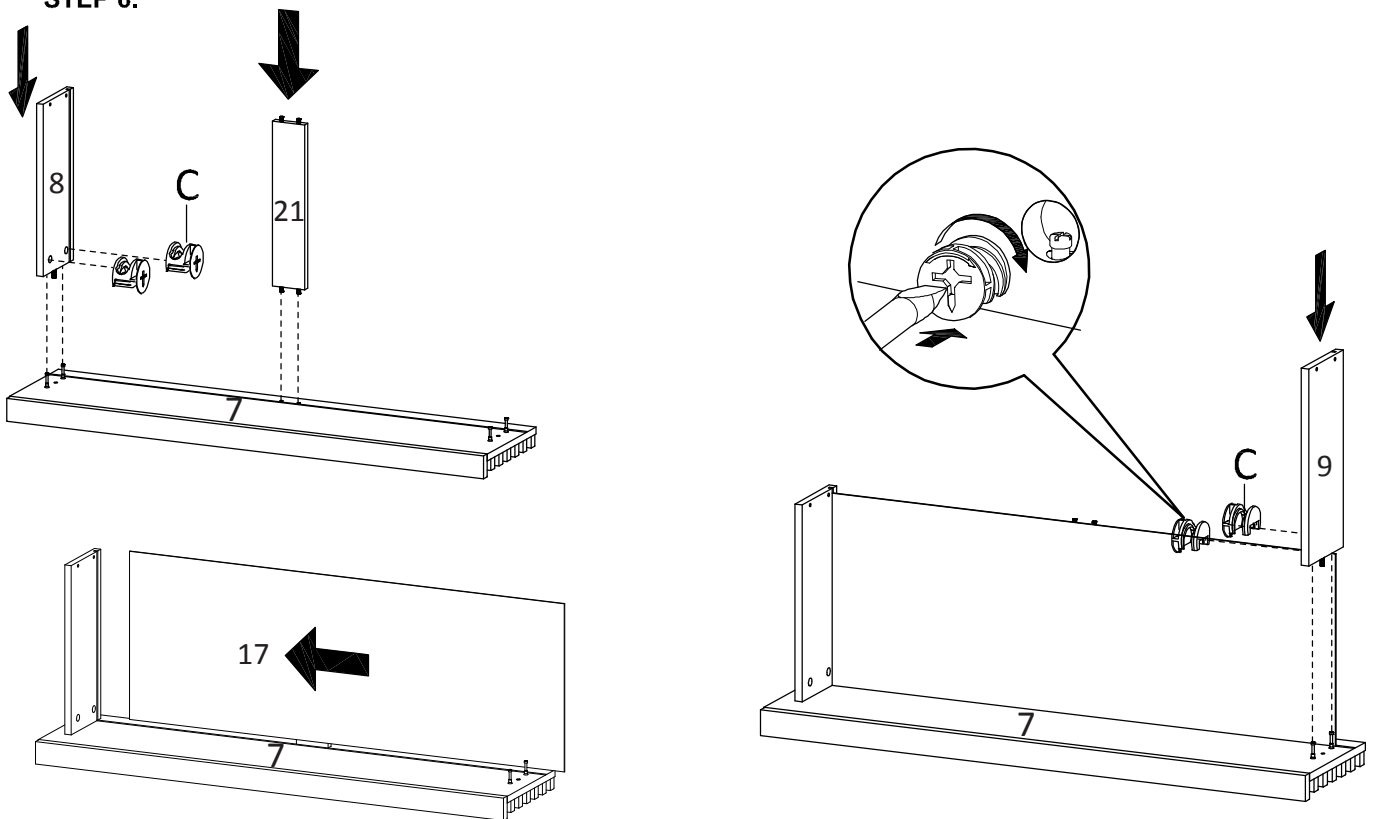
STEP 5:



C x 8	W x 1

Hardware required.  
Screwdriver not included

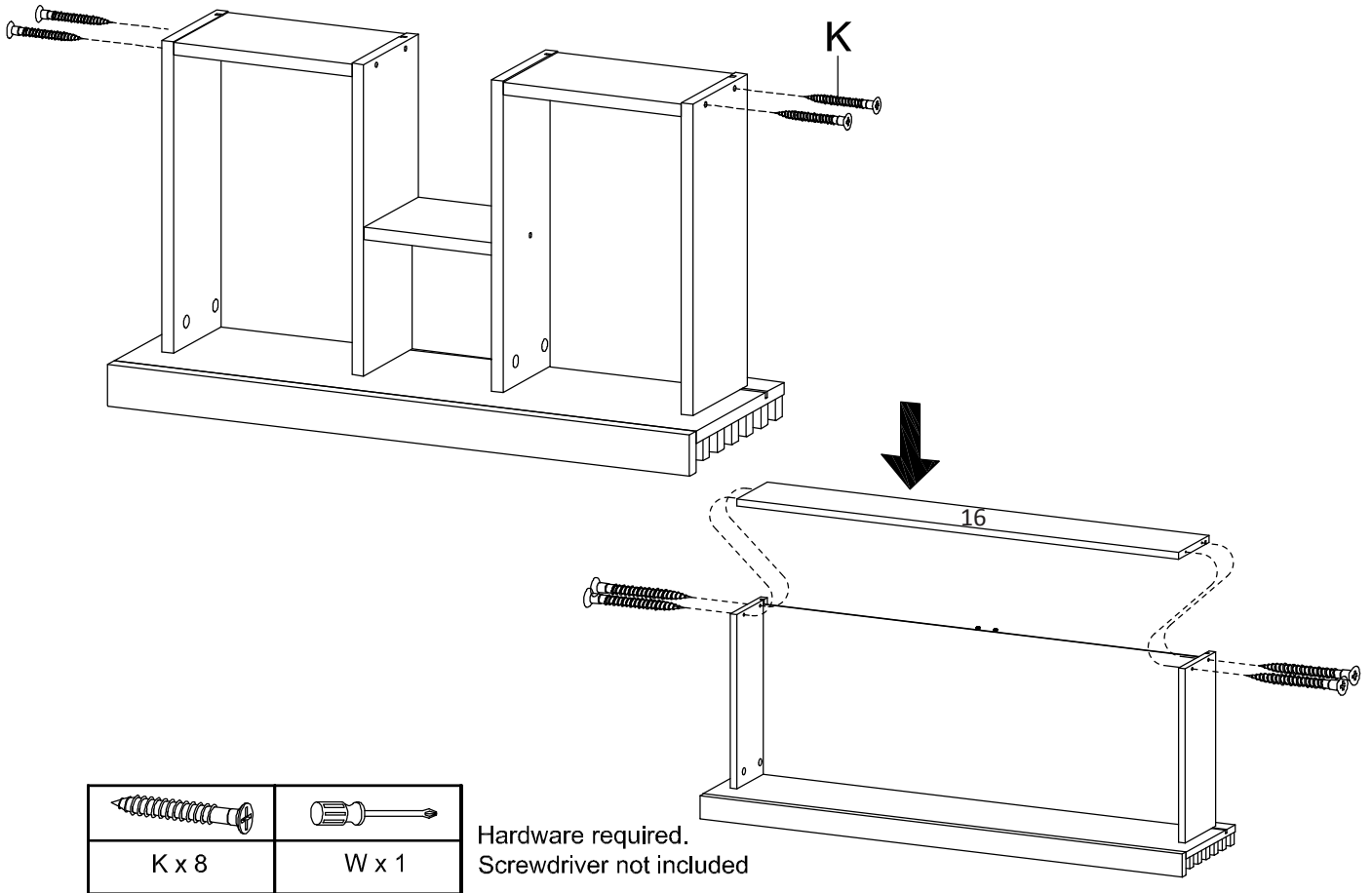
STEP 6:



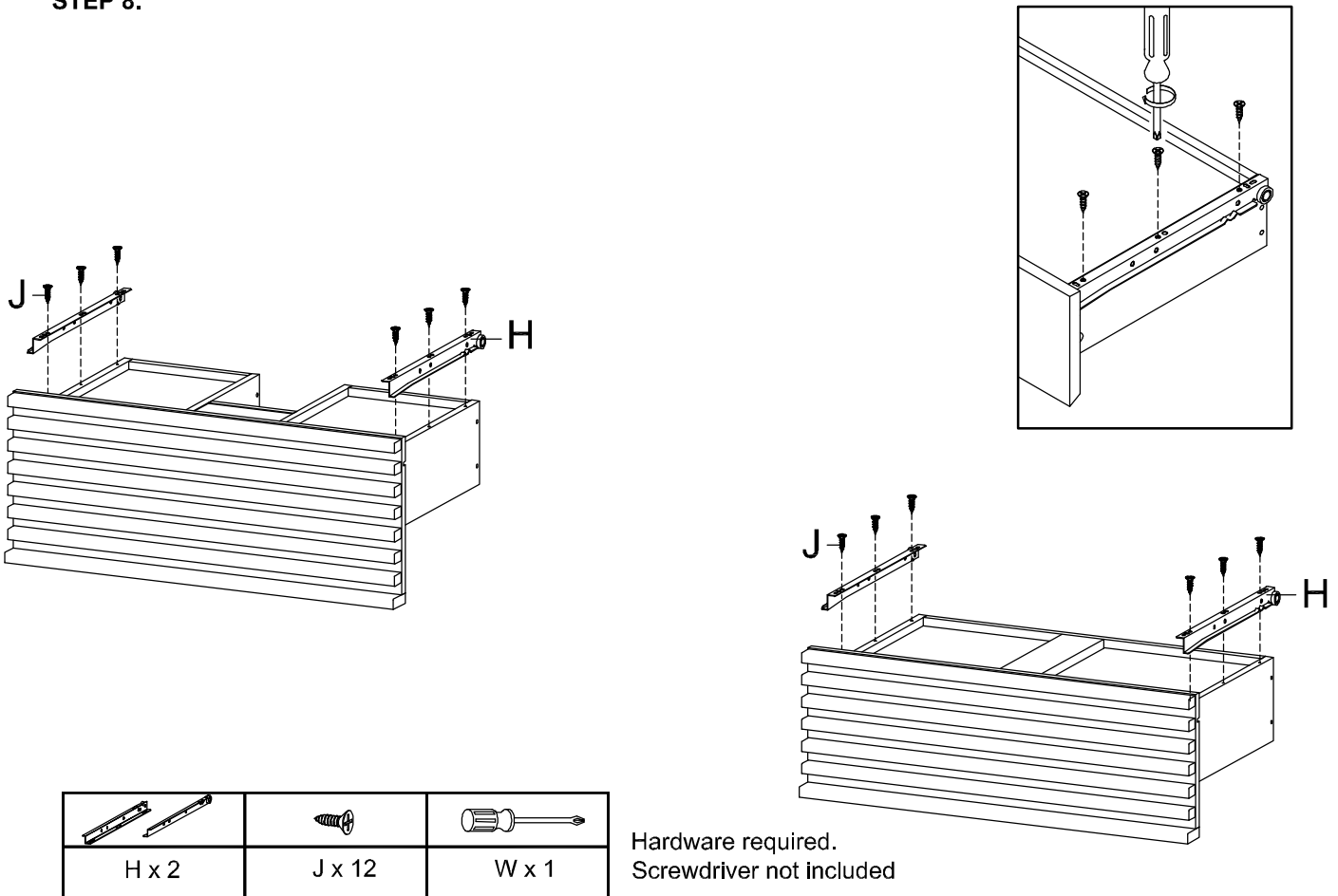
C x 4	W x 1

Hardware required.  
Screwdriver not included

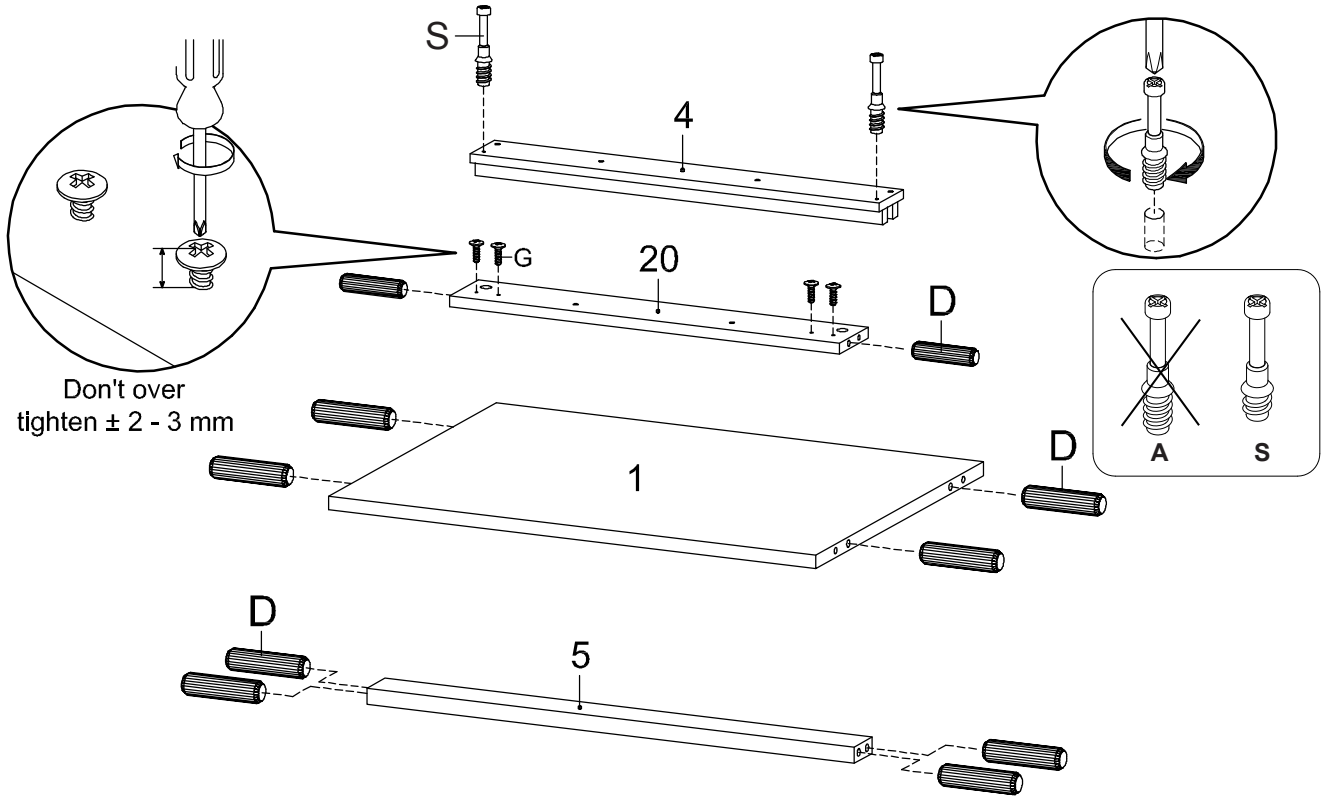
STEP 7:



STEP 8:



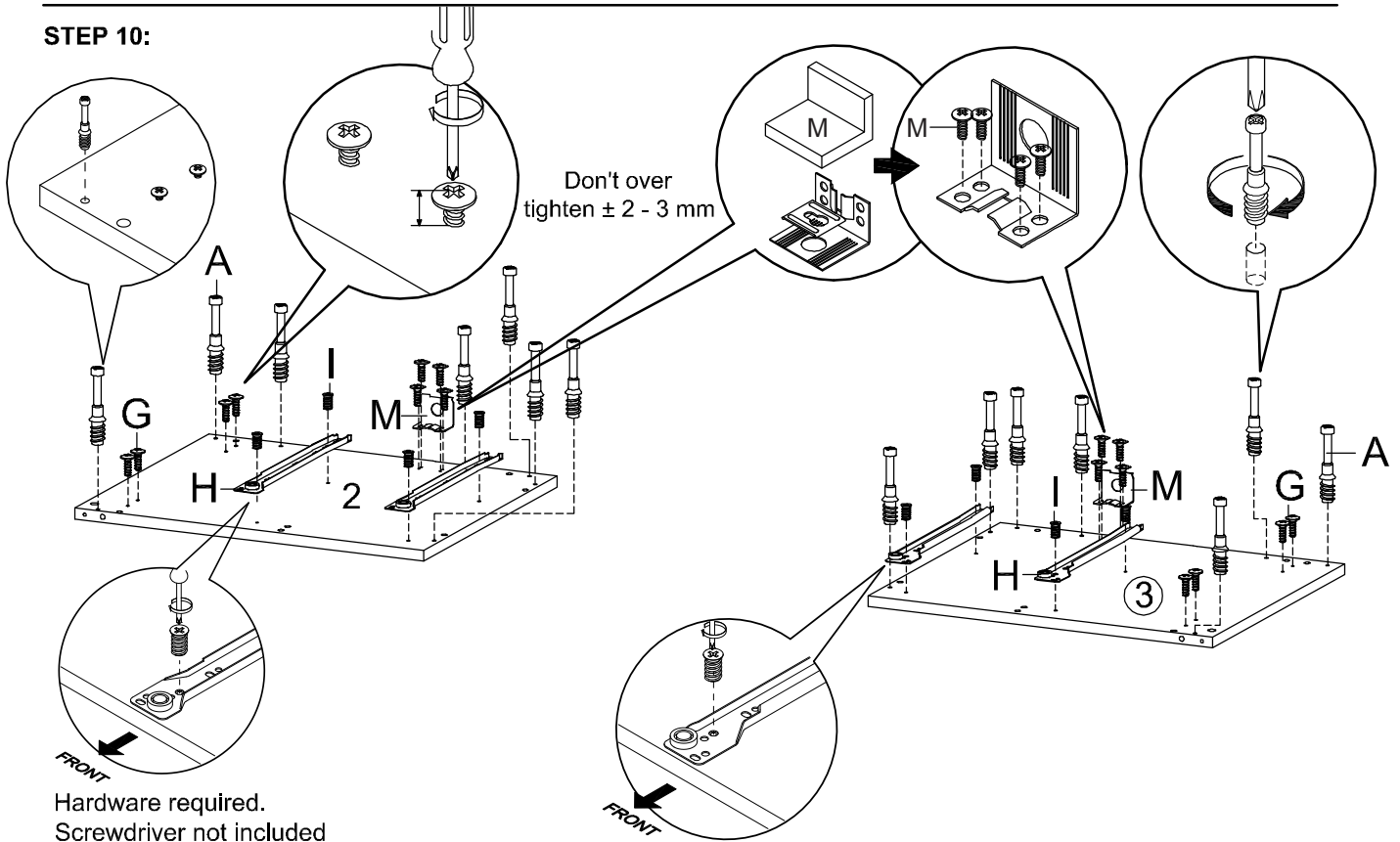
STEP 9:



S x 2	D x 10	G x 4	W x 1

Hardware required.  
Screwdriver not included

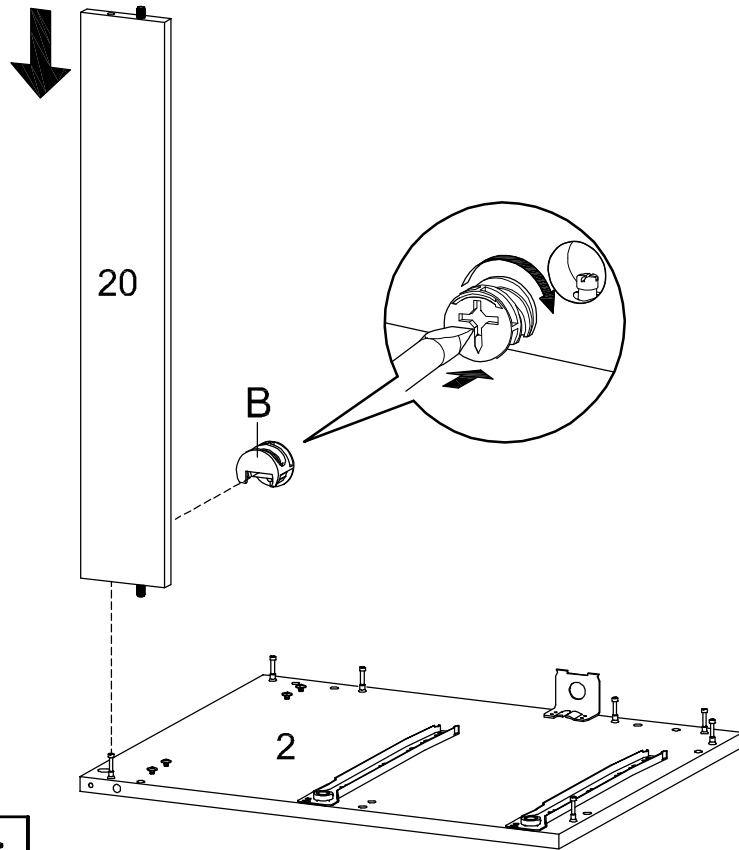
STEP 10:



Hardware required.  
Screwdriver not included

A x 14	G x 16	H x 2	I x 8	M x 2	W x 1

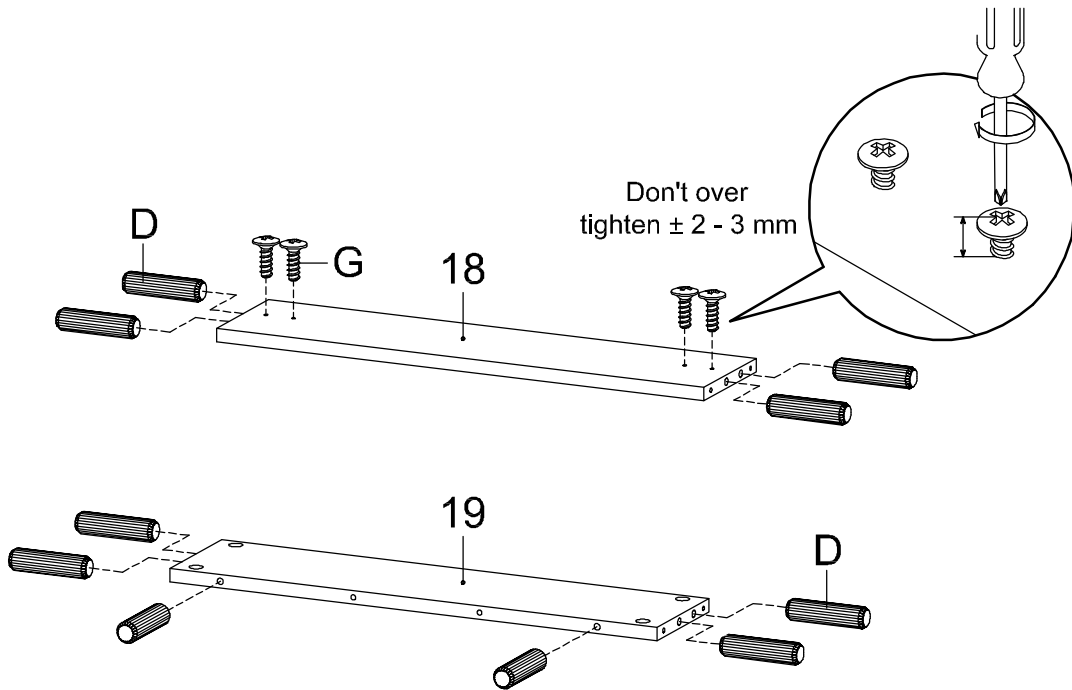
STEP 11:



B x 1	W x 1

Hardware required.  
Screwdriver not included

STEP 12:

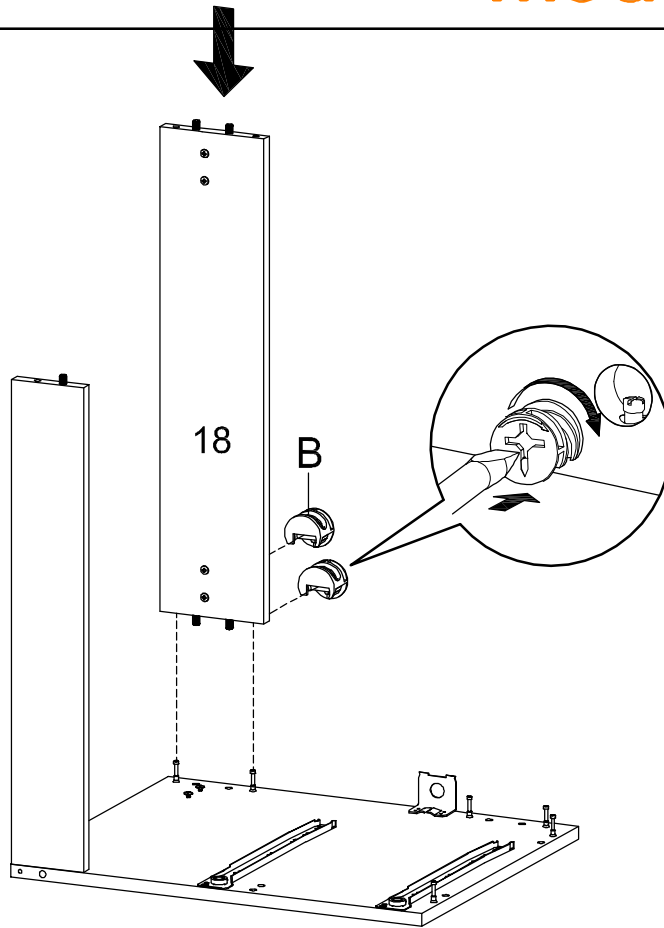



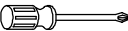
D x 10	G x 4	W x 1

Hardware required.  
Screwdriver not included



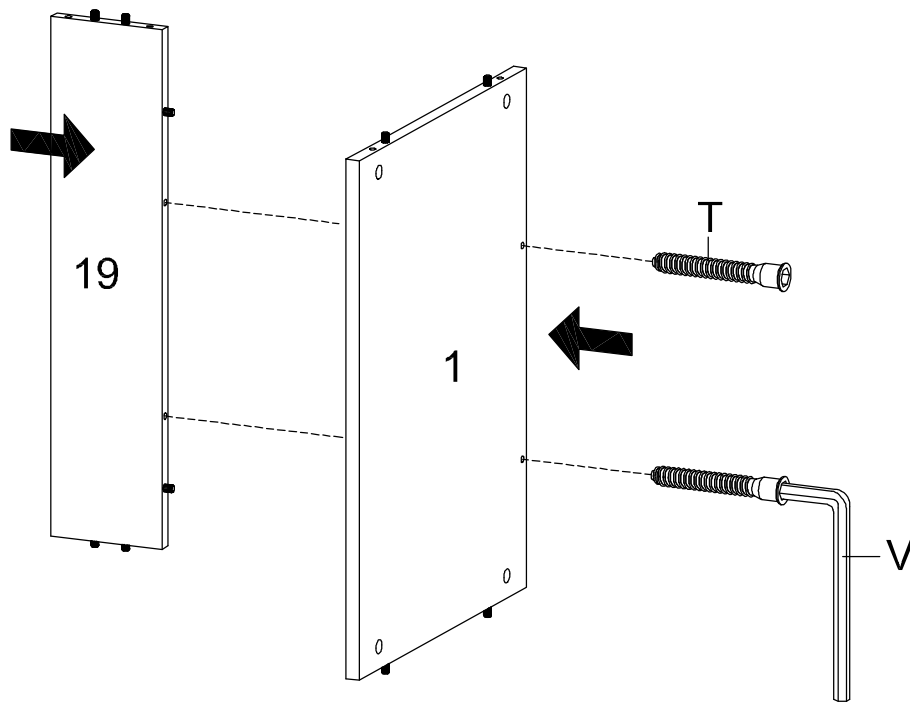
STEP 13:





	
B x 2	W x 1

Hardware required.  
Screwdriver not included

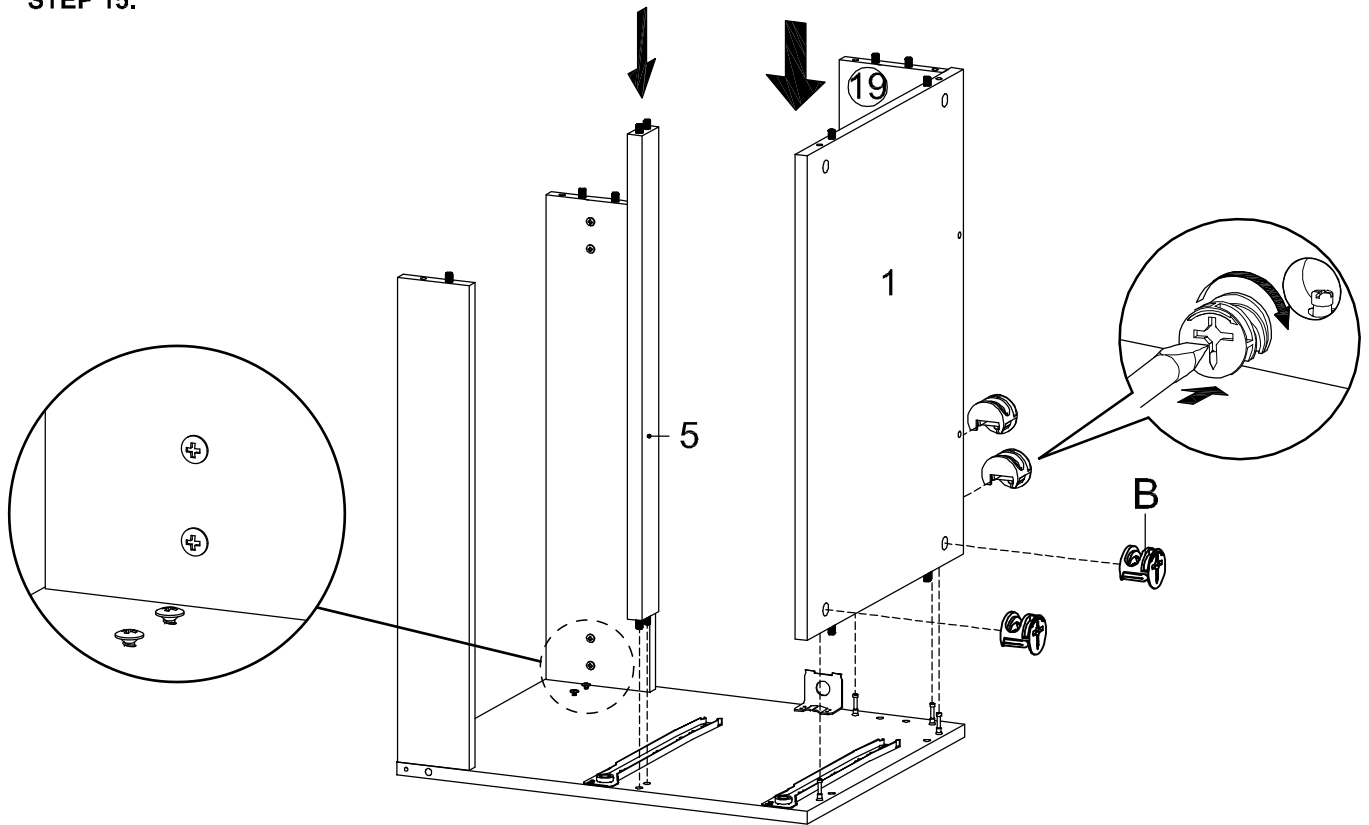
STEP 14:


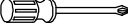


	
V x 1	T x 2

Screwdriver not included

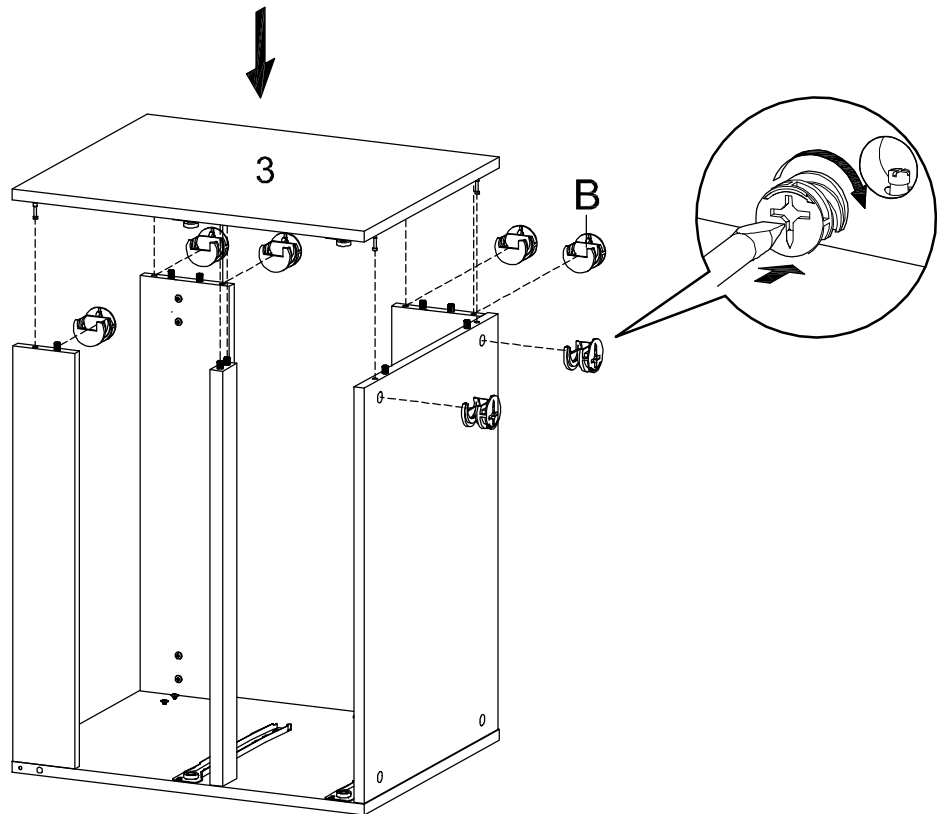
STEP 15:


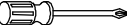


	
B x 4	W x 1

Hardware required.  
Screwdriver not included

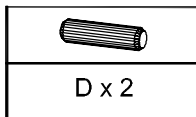
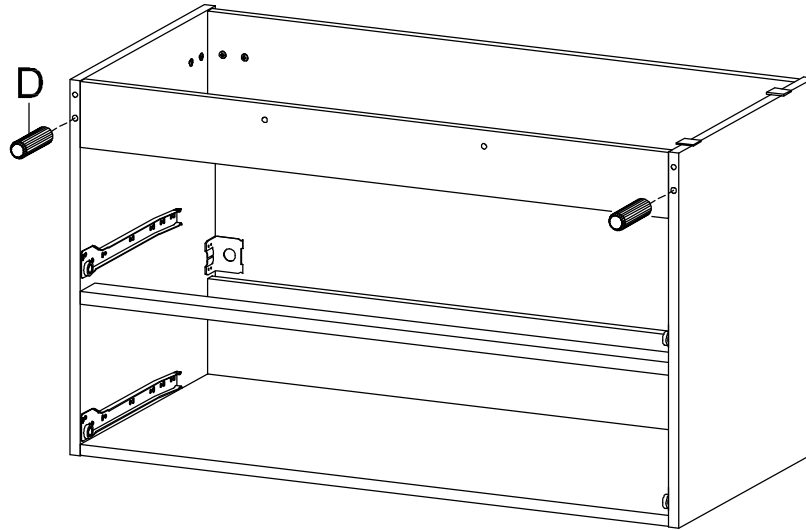
STEP 16:



	
B x 7	W x 1

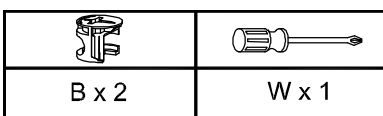
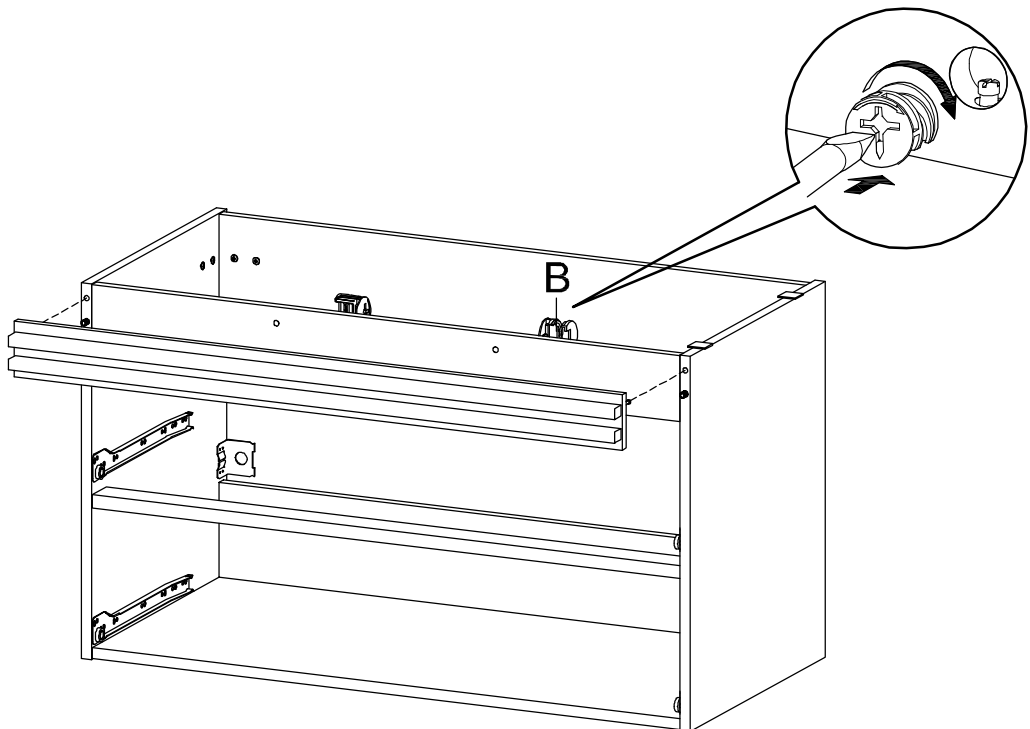
Hardware required.  
Screwdriver not included

STEP 17:



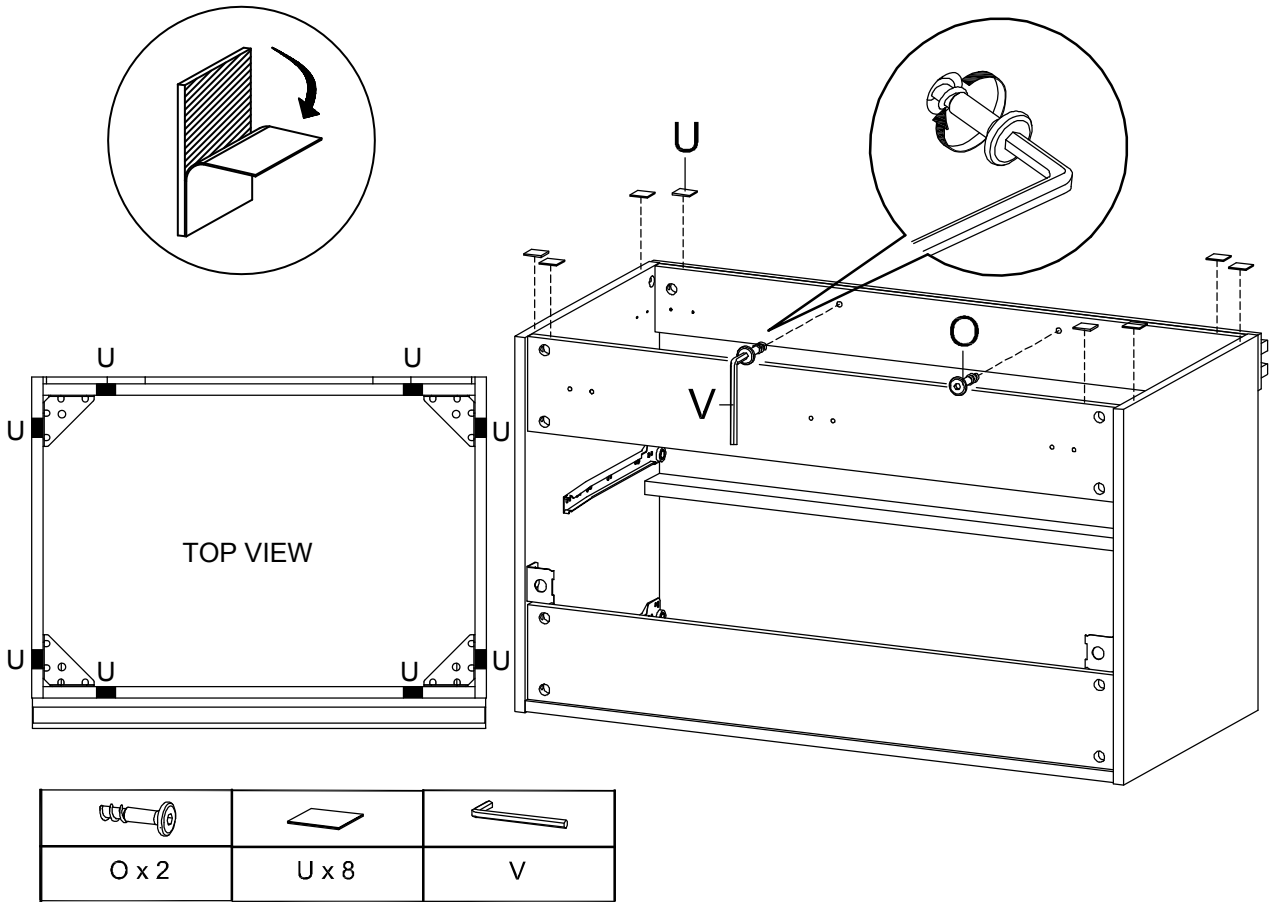
Hardware required.

STEP 18:

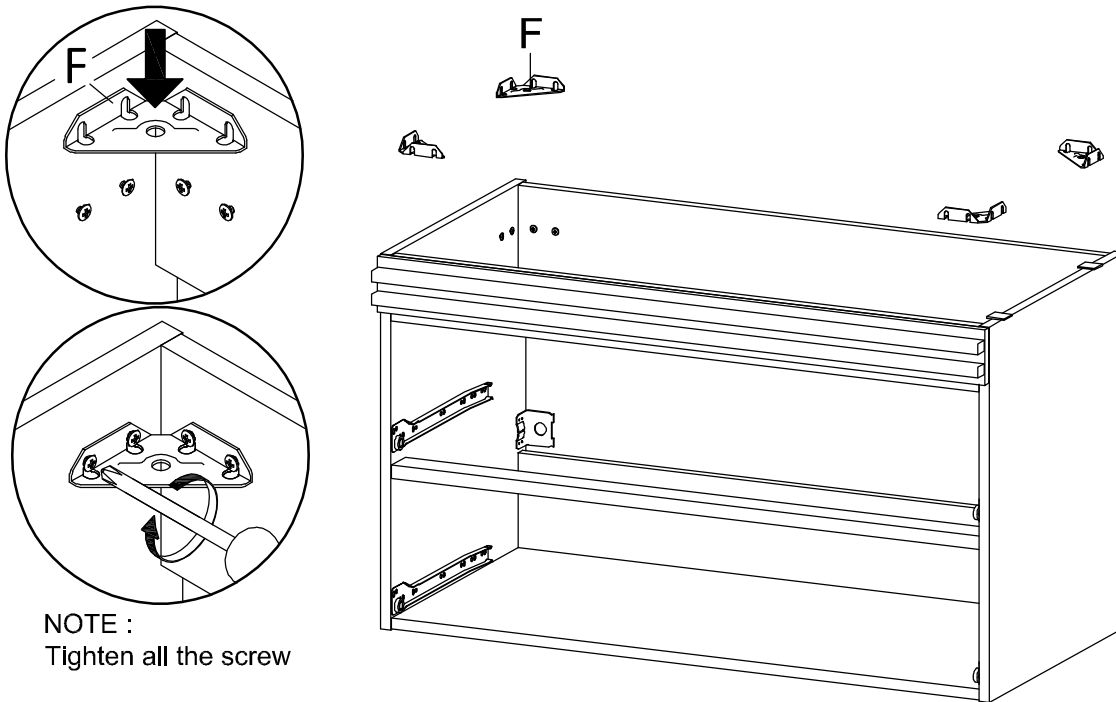


Hardware required.  
Screwdriver not included

STEP 19:



STEP 20:

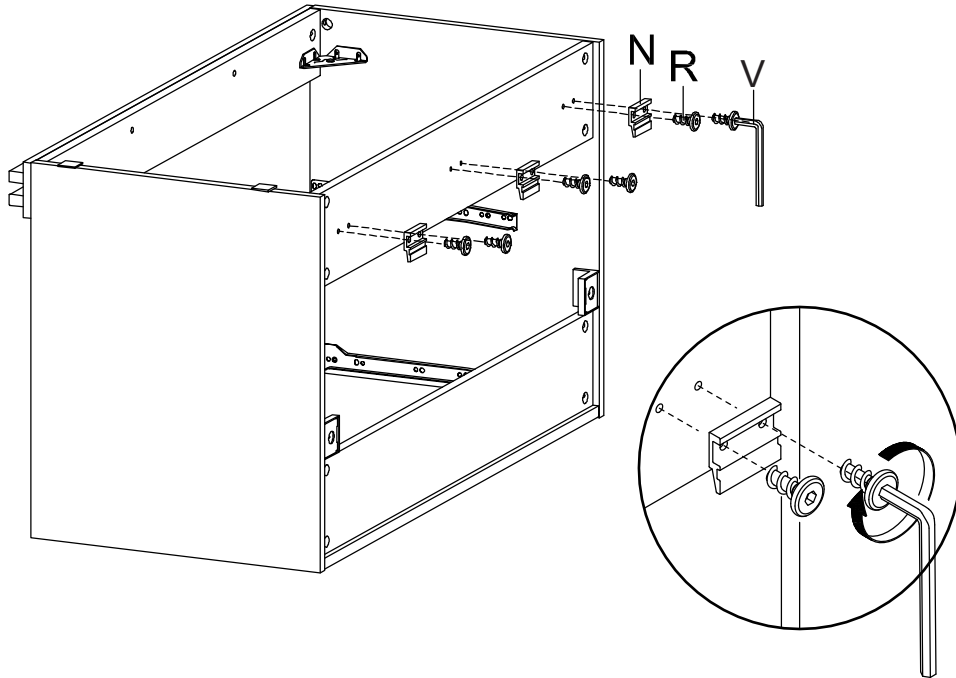





NOTE :  
Tighten all the screw

F x 4	W x 1

Hardware required.  
Screwdriver not included

STEP 21:

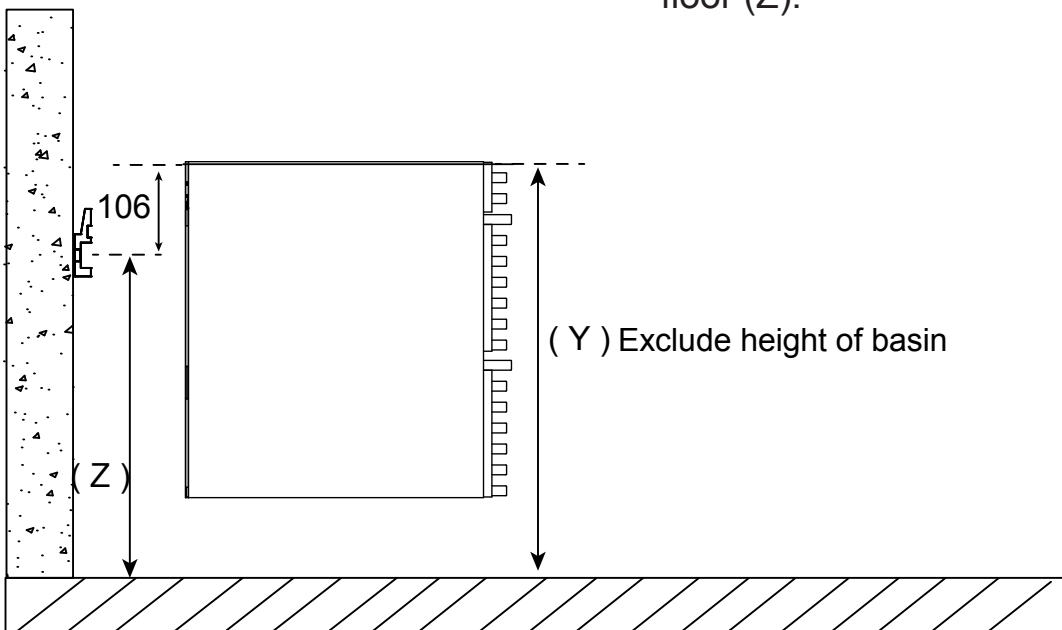


		
N x 3	R x 6	V

Screwdriver not included

STEP 22:

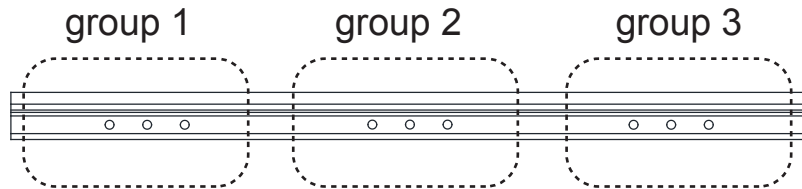
Determine your desired height (Y), then subtract by 106 mm. This is the drill holes height from the floor (Z).



STEP 23:

Please use minimum 2 holes on group 1 and group 3, and minimum 1 hole on group 2, to apply the wall plug and screw. Use additional holes when necessary.

\* Long Bracket

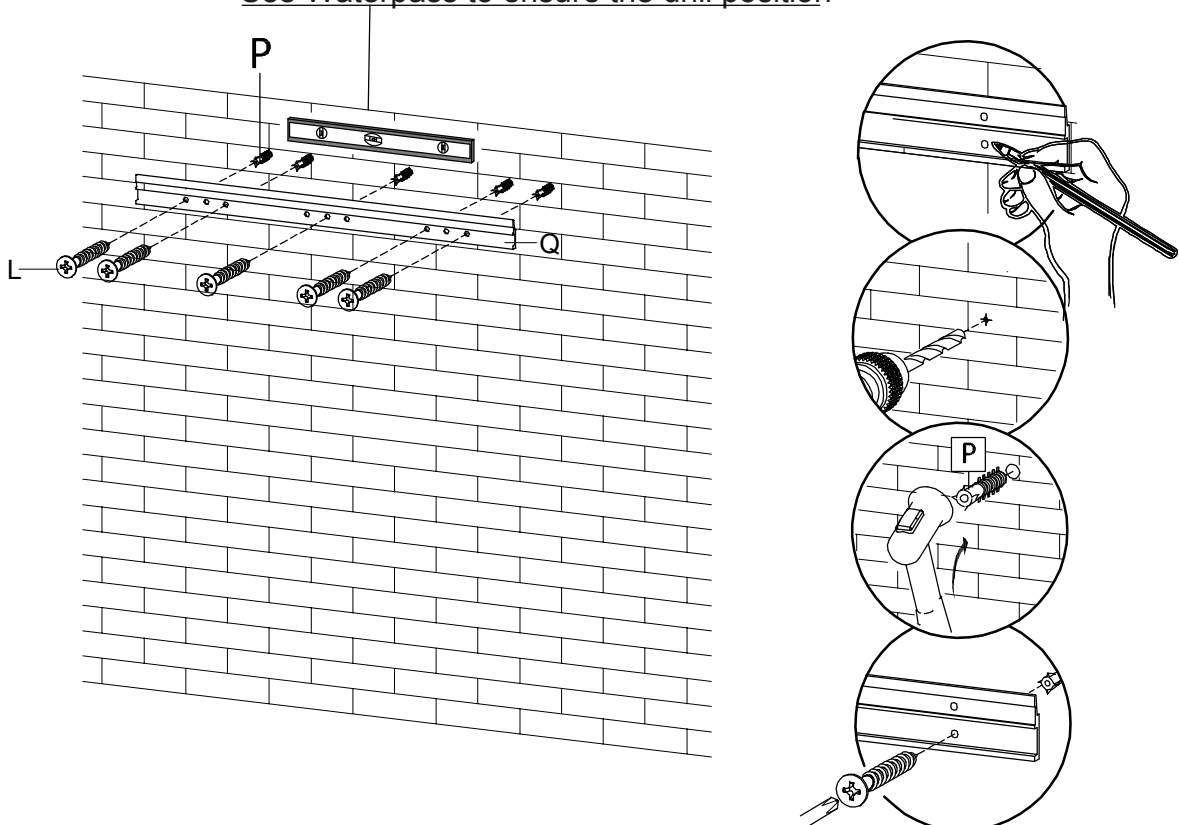


Different wall materials require unique wall fasteners. The wall plugs (P) and screws (L) are designed for fixing to concrete walls only. Please consult your local hardware store to ensure you are using the correct hardware for your wall type.

Q	L	P

STEP 24:

Use Waterpass to ensure the drill position



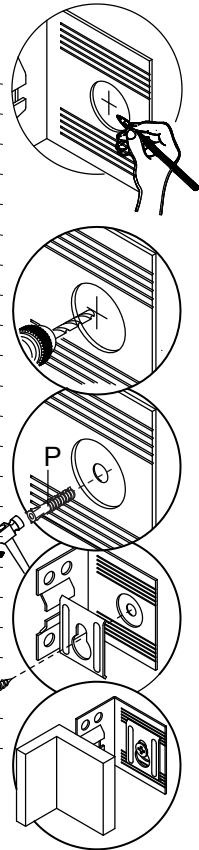
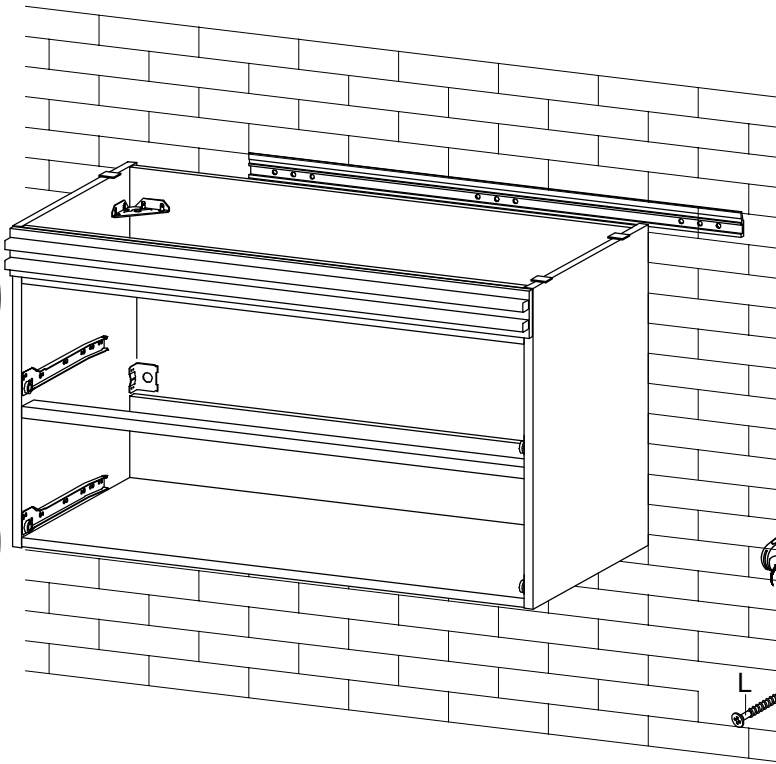
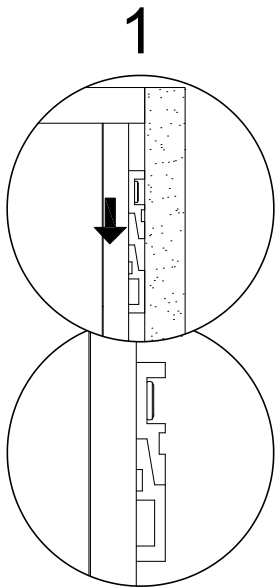
Px5	Lx5	Qx1	Wx1

Hardware required.  
Screwdriver not included

STEP 25

2

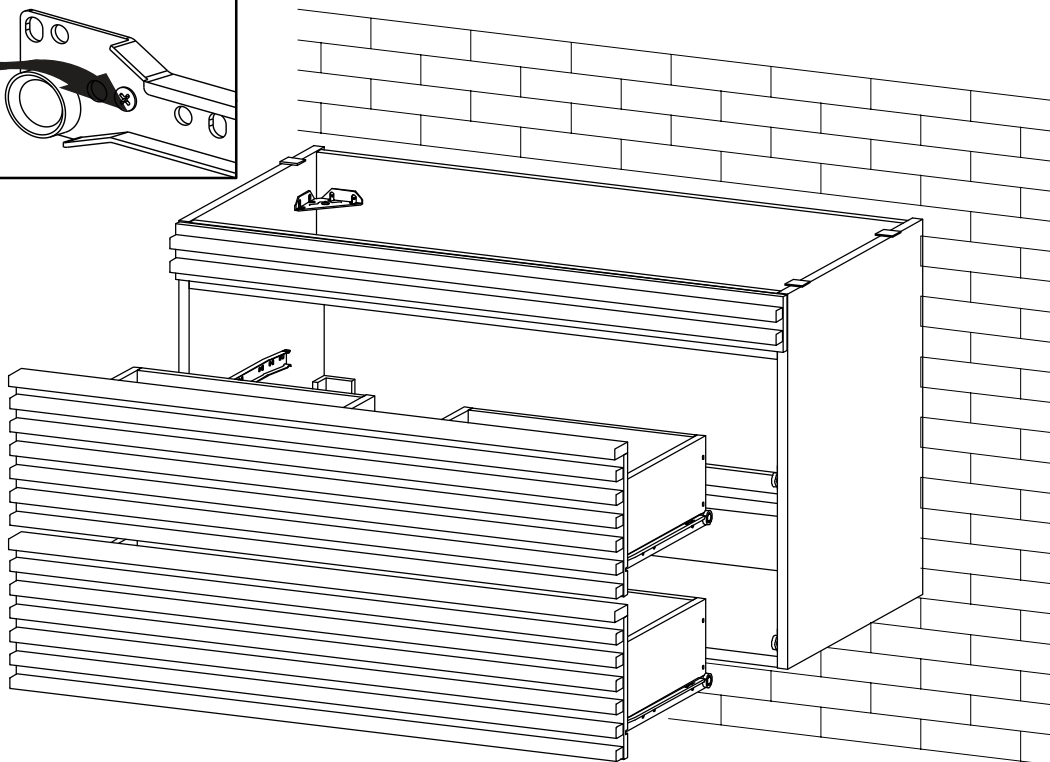
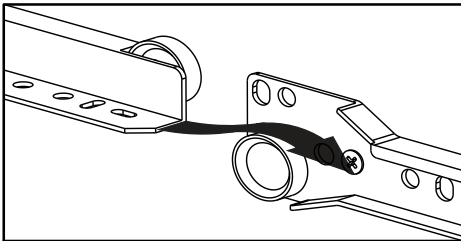
GUIDE FOR DRILLING



L x 2	P x 2	W x 1

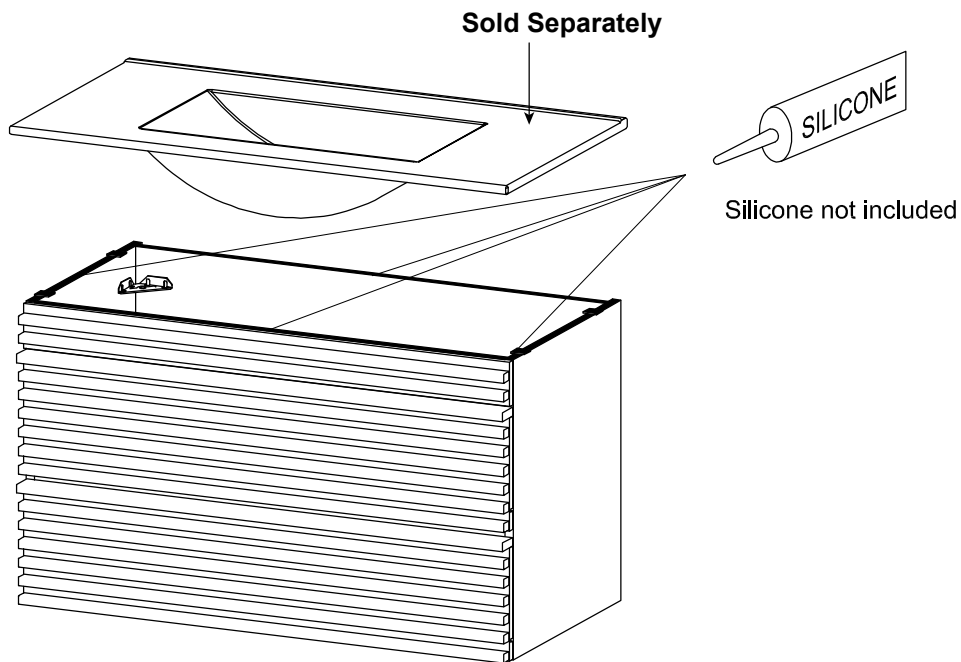
Hardware required.  
Screwdriver not included

STEP 26:

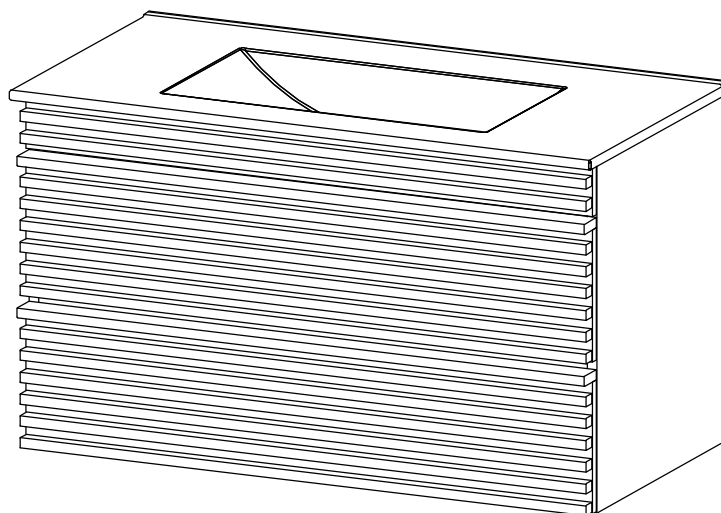


**STEP 27**

Apply a thin bead of silicone compound around the vanity base and set the vanity top carefully in place. Remove any excess silicone compound with a wet rag



**STEP 28:**



**Assembly is complete. The Cabinet is ready to enjoy now !**