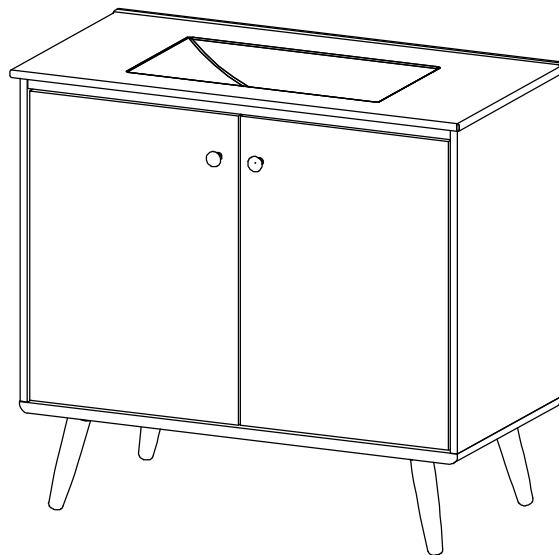


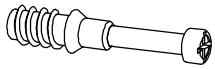


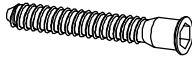

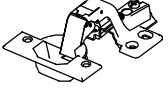
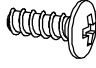
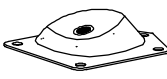
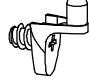







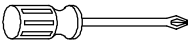
Thank you for purchasing the **MODWAY CABINET** !

Before you start, here are some helpful advice:

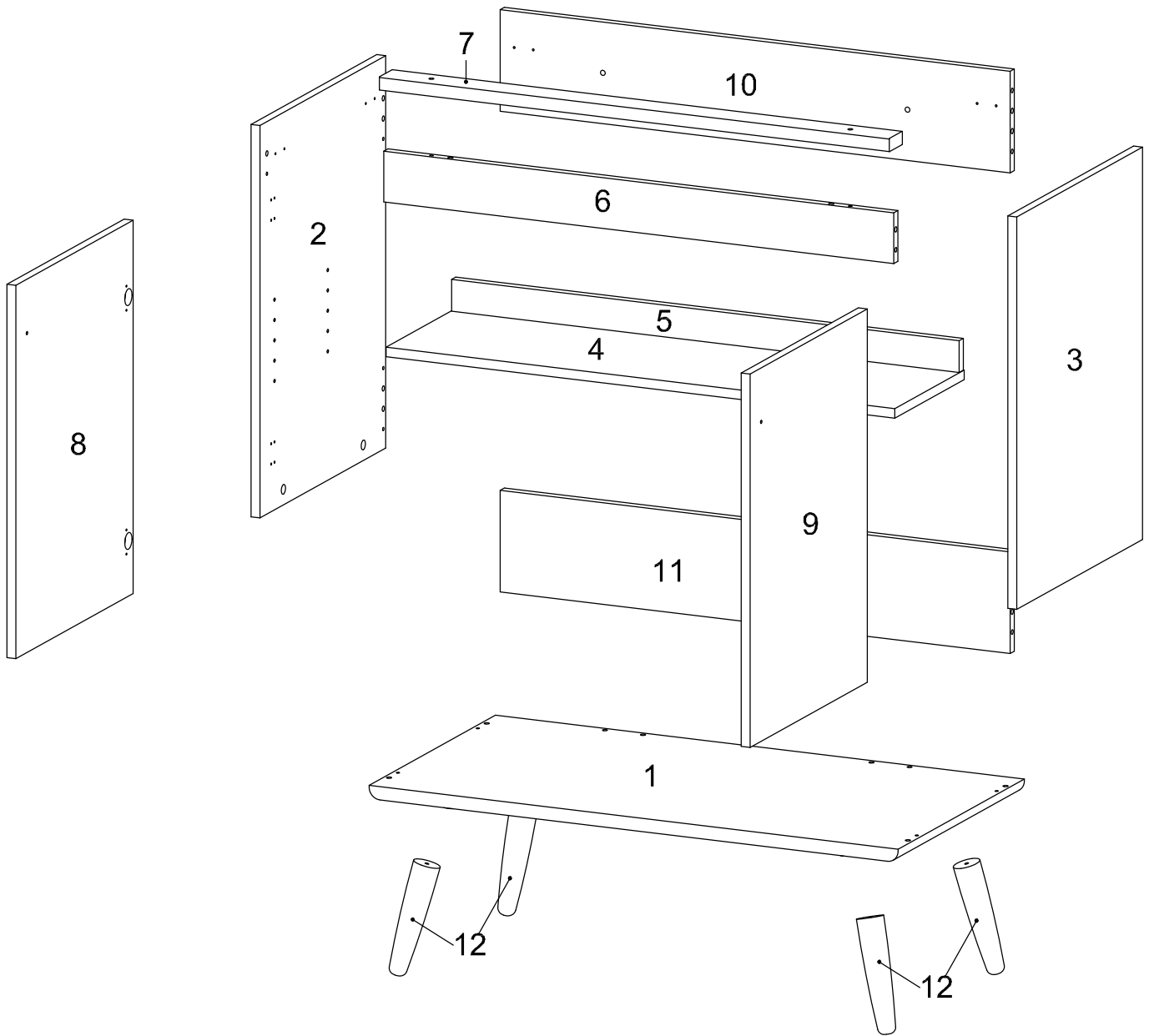
1. We suggest you spend a short time reading through this leaflet and then follow the simple step-by-step instructions.
2. Owing to the size and weight of the Cabinet, we recommend that it is assembled by two adults, on a carpeted or padded area, in the room that it is intended for. Approximate assembly time: 70 minutes.
3. Please do not use any tools other than those provided or recommended in these instructions.
4. Please do not throw away any of the packaging or instructions until you have checked all the components and hardware and the furniture is fully assembled.
5. Assemble all components loosely until advised to tighten. Depending on use, it may be necessary to tighten the components from time to time, so please save the tools that have been provided.
6. Please keep all pieces out of reach of children.



Hardware :

A) Cambolt Big/Metal  \varnothing 6 x 35 mm x 14	B) CamLock /Metal  \varnothing 15 mm x 14	C) Dowel /Wood  \varnothing 8x30 mm x 20	D) Screw/Metal  M 7 x 50 mm x 7	E) Hex/Allen Key/Metal  L 4 x 1
F) Hinge set/Metal  x 4	G) Screw/Metal  M 4.5 x 12.5 mm x 60	H) Leg Mounting Plate/Metal  x 4	I) Shelf Support/Metal  x 4	J) Door/Drawer Knob/Metal Chrome  x 2
K) Screw/Metal  M 4 x 22 mm x 2	L) Bracket/Metal  x 4	M) Anti-Deflection Bar/Metal  x 1	N) Screw/Metal  M 6 x 10.5 mm x 12	O) Screw Cap/Plastic  \varnothing 15 mm x 4
P) Floor Protector/Sponge/Felt  25 x 15 x 2 mm x 8	Q) Screwdriver (Not Include)  x 1			

Components:



1 Bottom Board	x1	2 Side Board Left	x1	3 Side Board Right	x1	4 Adjustable Shelf	x1
5 Support Board	x1	6 Front Skirt 1	x1	7 Front Skirt 2	x1	8 Wooden Door Left	x1
9 Wooden Door Right	x1	10 Back Board 1	x1	11 Back Board 2	x1	12 Leg	x4

STEP 1:

A x 4	C x 10	G x 4	Q x 1

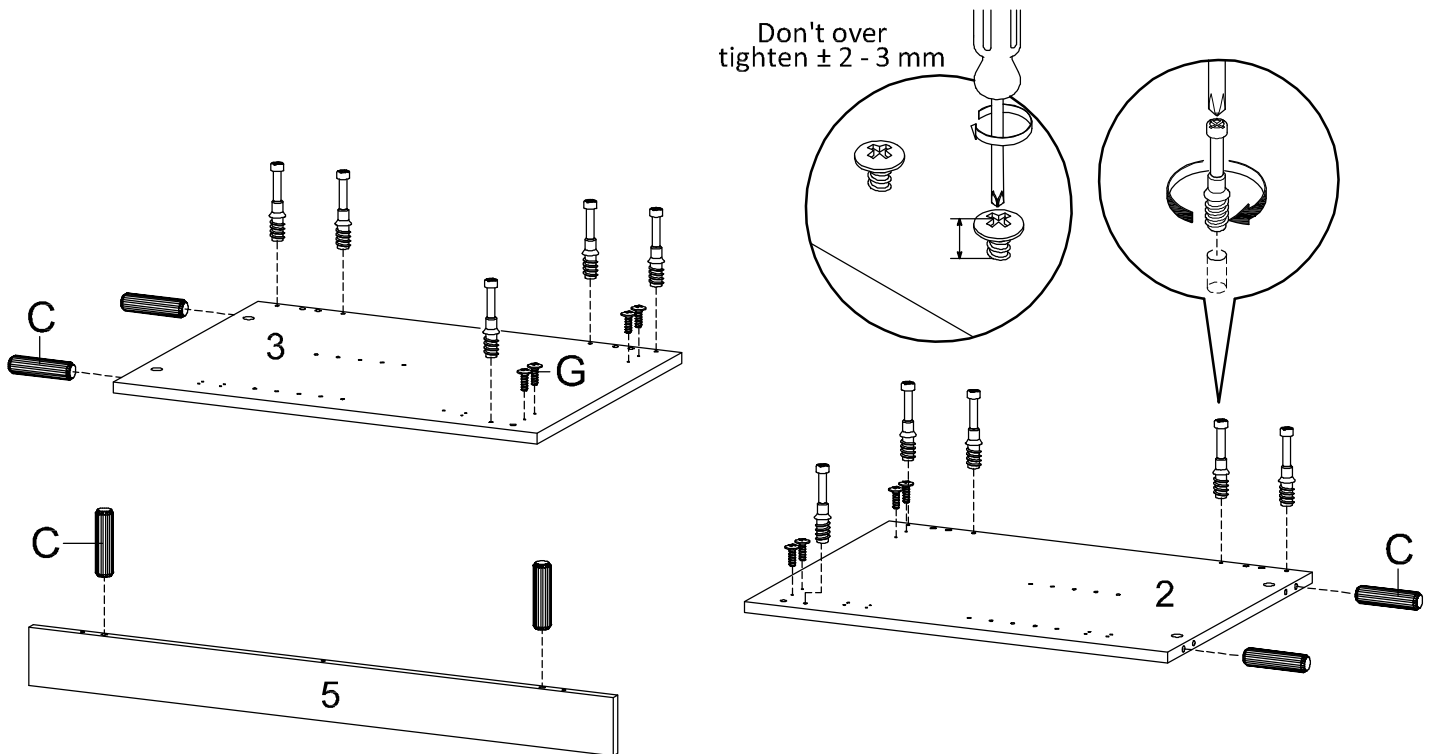
Hardware required.
Screwdriver not included

STEP 2:

C x 4	G x 4	Q x 1

Hardware required.
Screwdriver not included

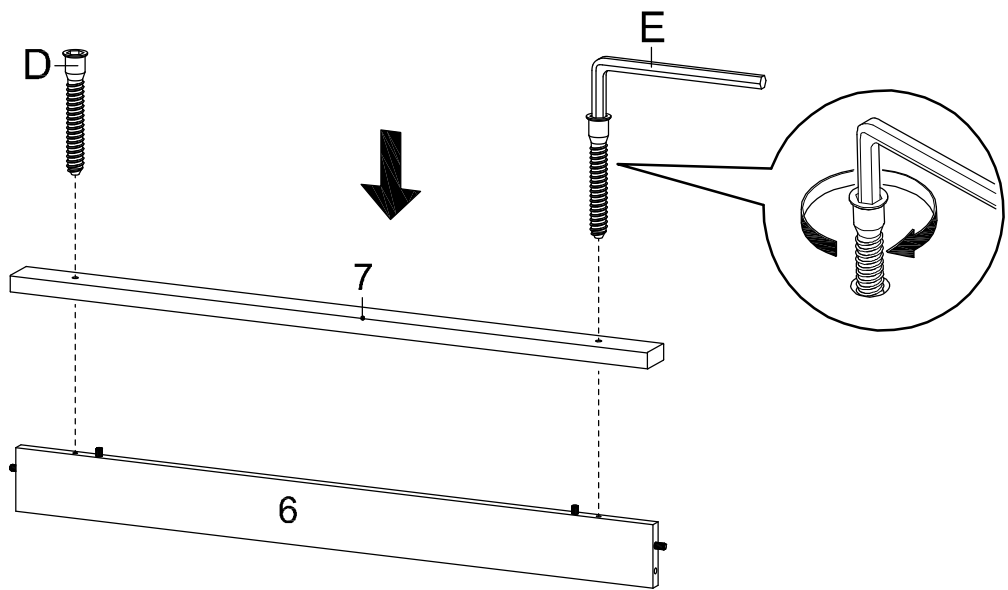
STEP 3:



A x 10	C x 6	G x 8	Q x 1

Hardware required.
Screwdriver not included

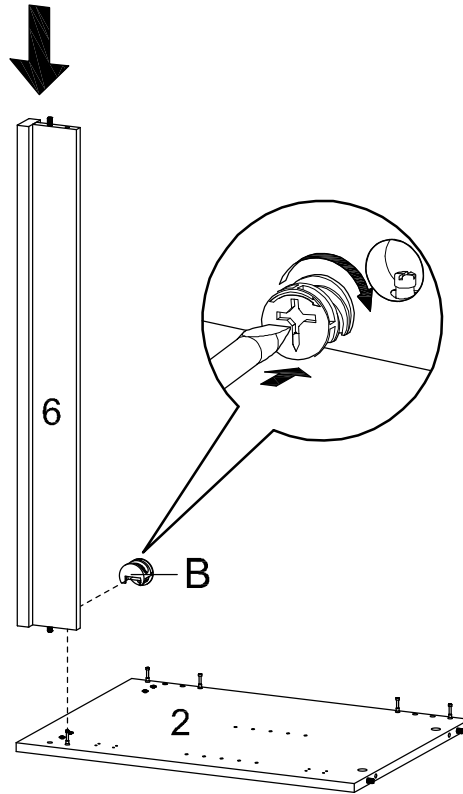
STEP 4:


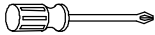


D x 3	E x 1

Hardware required.

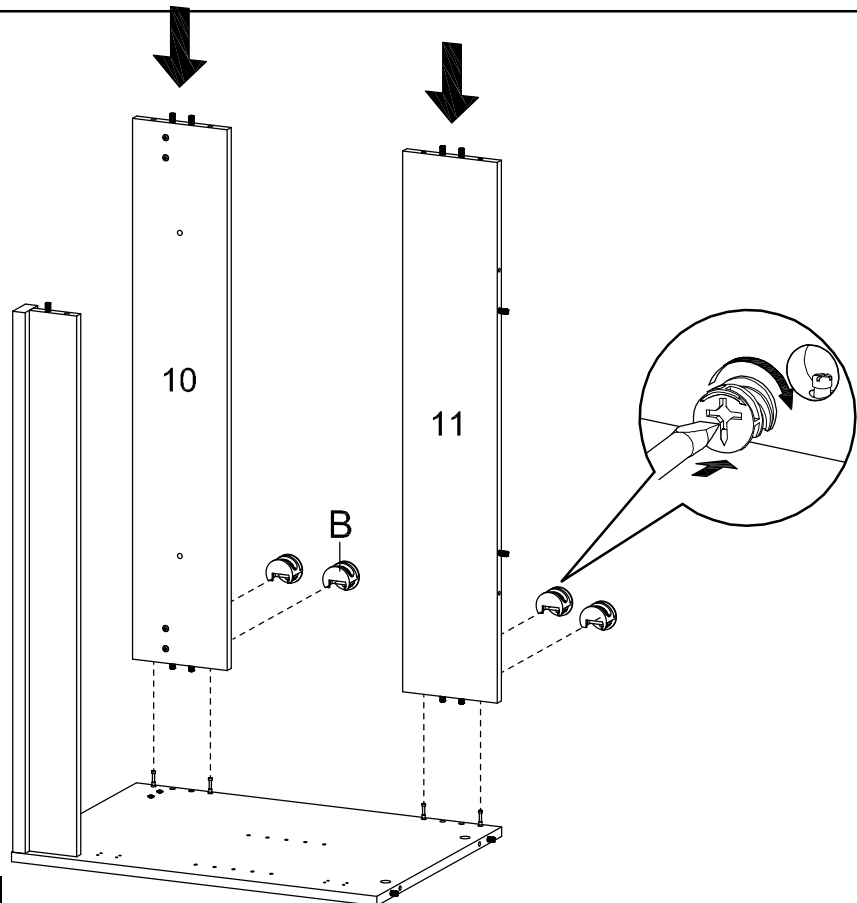
STEP 5:


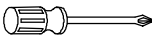


	
B x 1	Q x 1

Hardware required.
Screwdriver not included

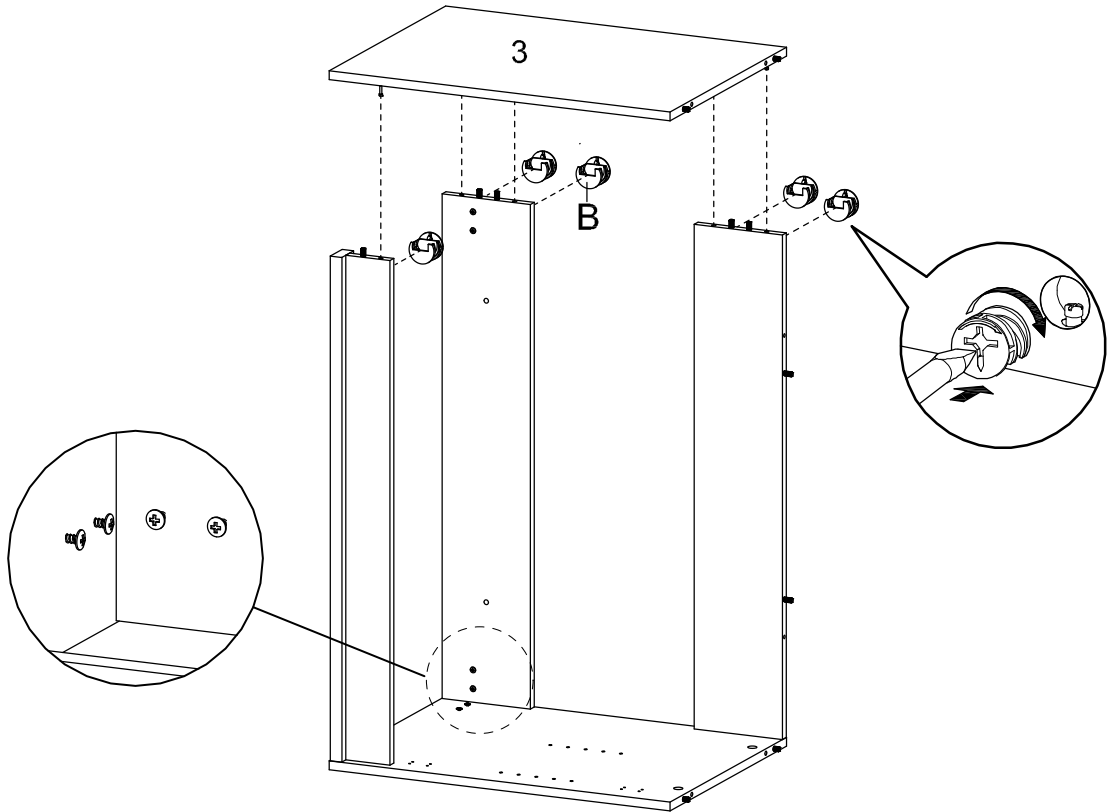
STEP 6:



	
B x 4	Q x 1

Hardware required.
Screwdriver not included

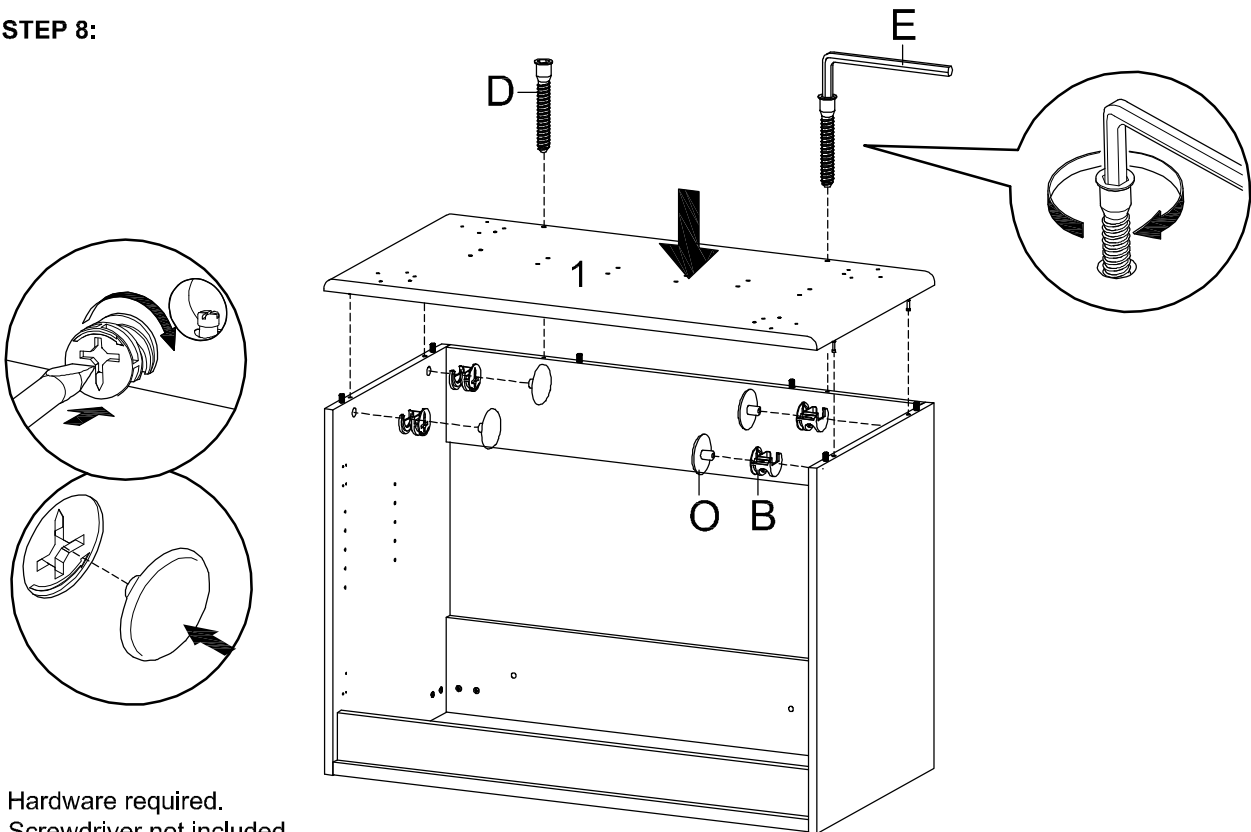
STEP 7:



B x 5	Q x 1

Hardware required.
Screwdriver not included

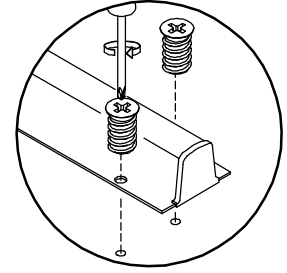
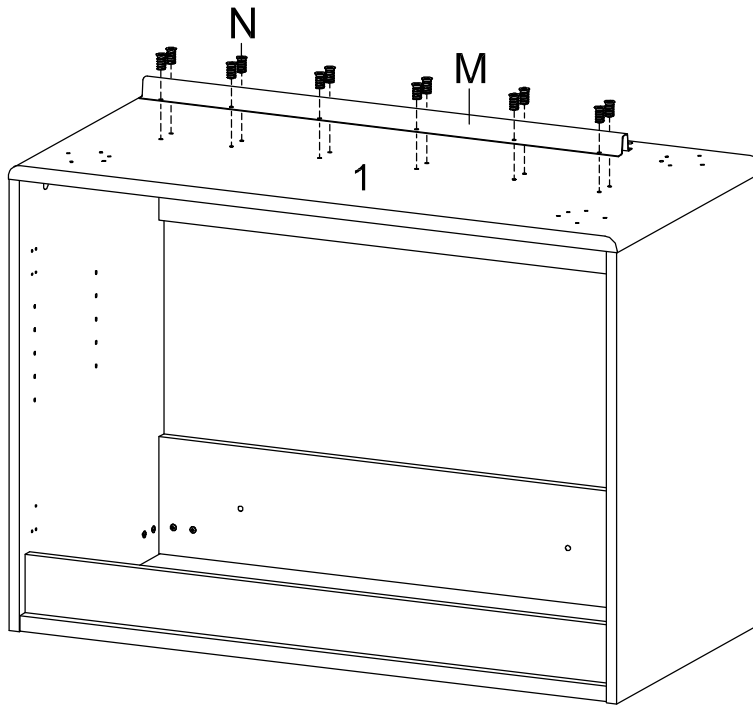
STEP 8:



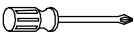


Hardware required.
Screwdriver not included

B x 4	D x 2	E	O x 4	Q x 1

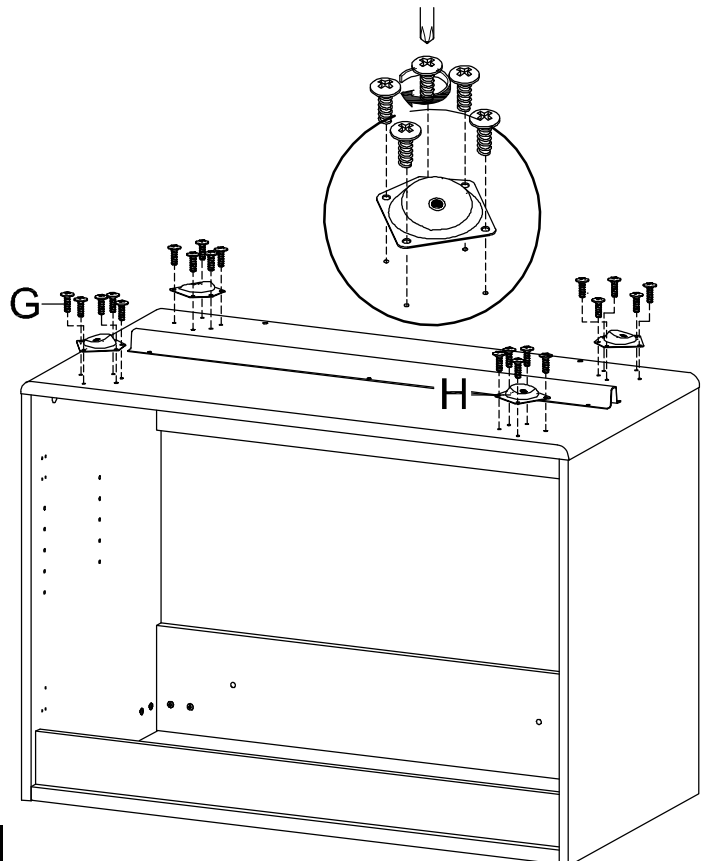
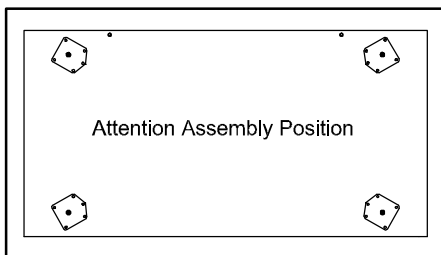
STEP 9:





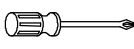
		
N x 12	M x 1	Q x 1

Hardware required.
Screwdriver not included

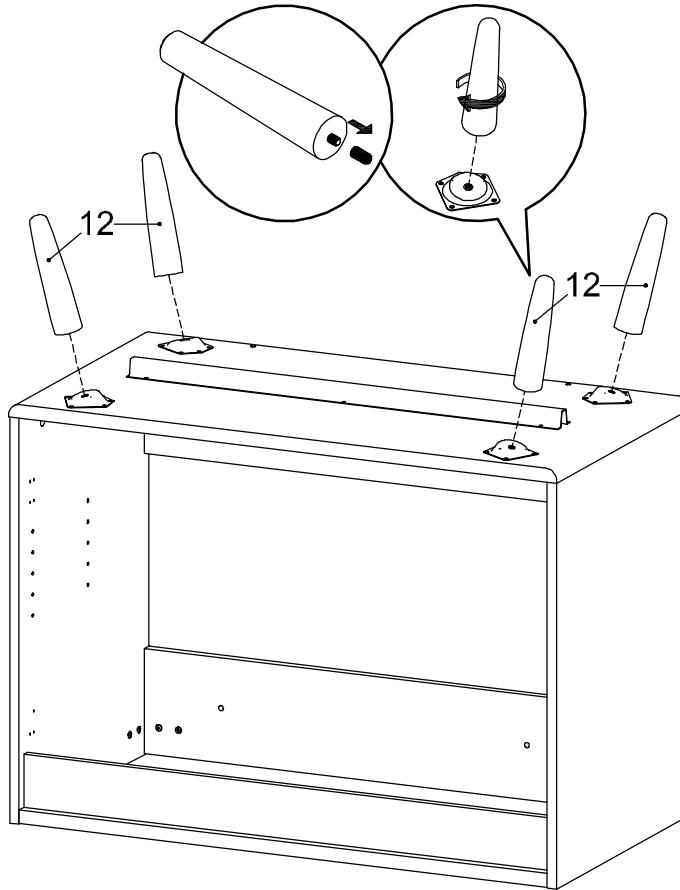
STEP 10:



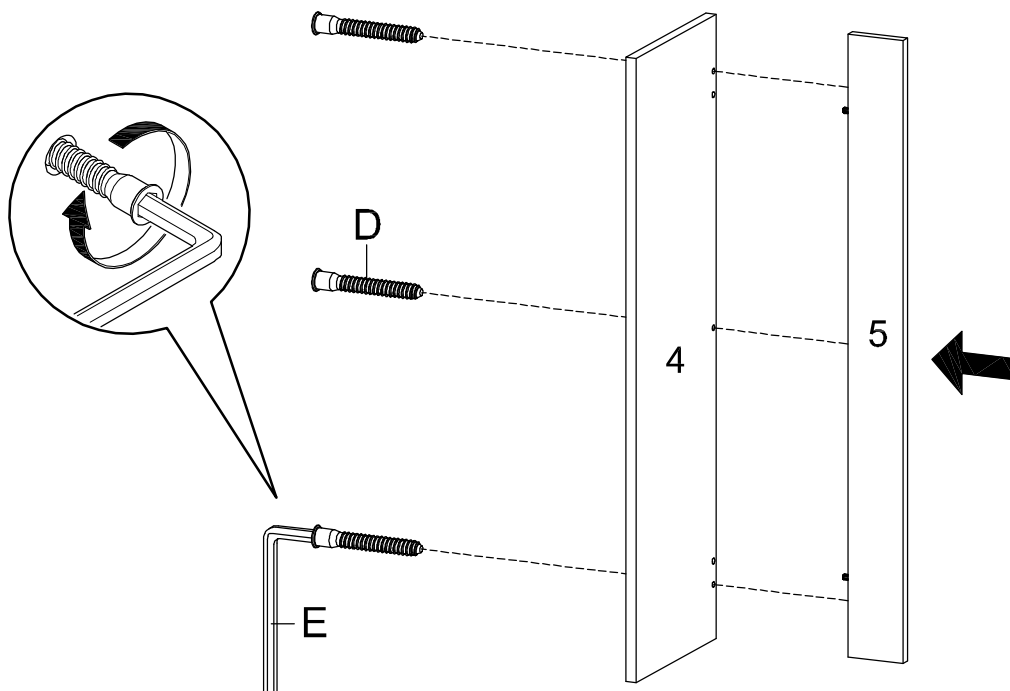
Hardware required.
Screwdriver not included



		
G x 20	H x 4	Q x 1

STEP 11:



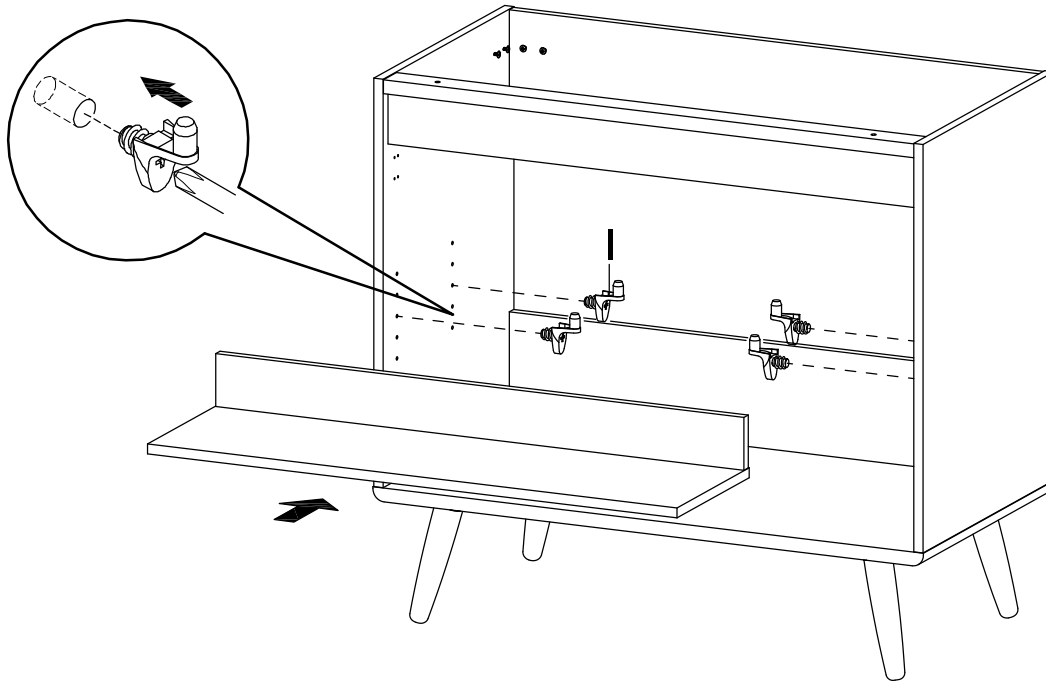
STEP 12:



	
D x 3	E

Hardware required.

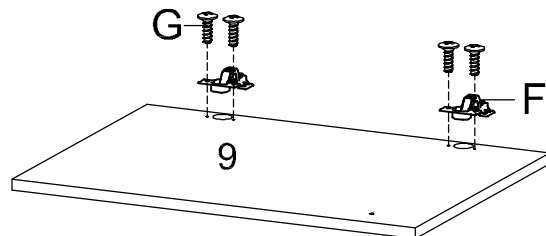
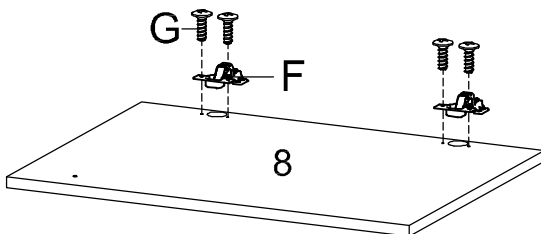
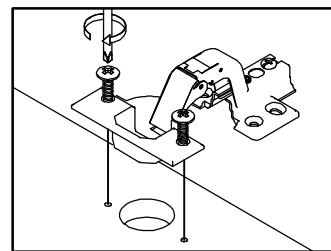
STEP 13:



I x 4	Q x 1

Hardware required.
Screwdriver not included

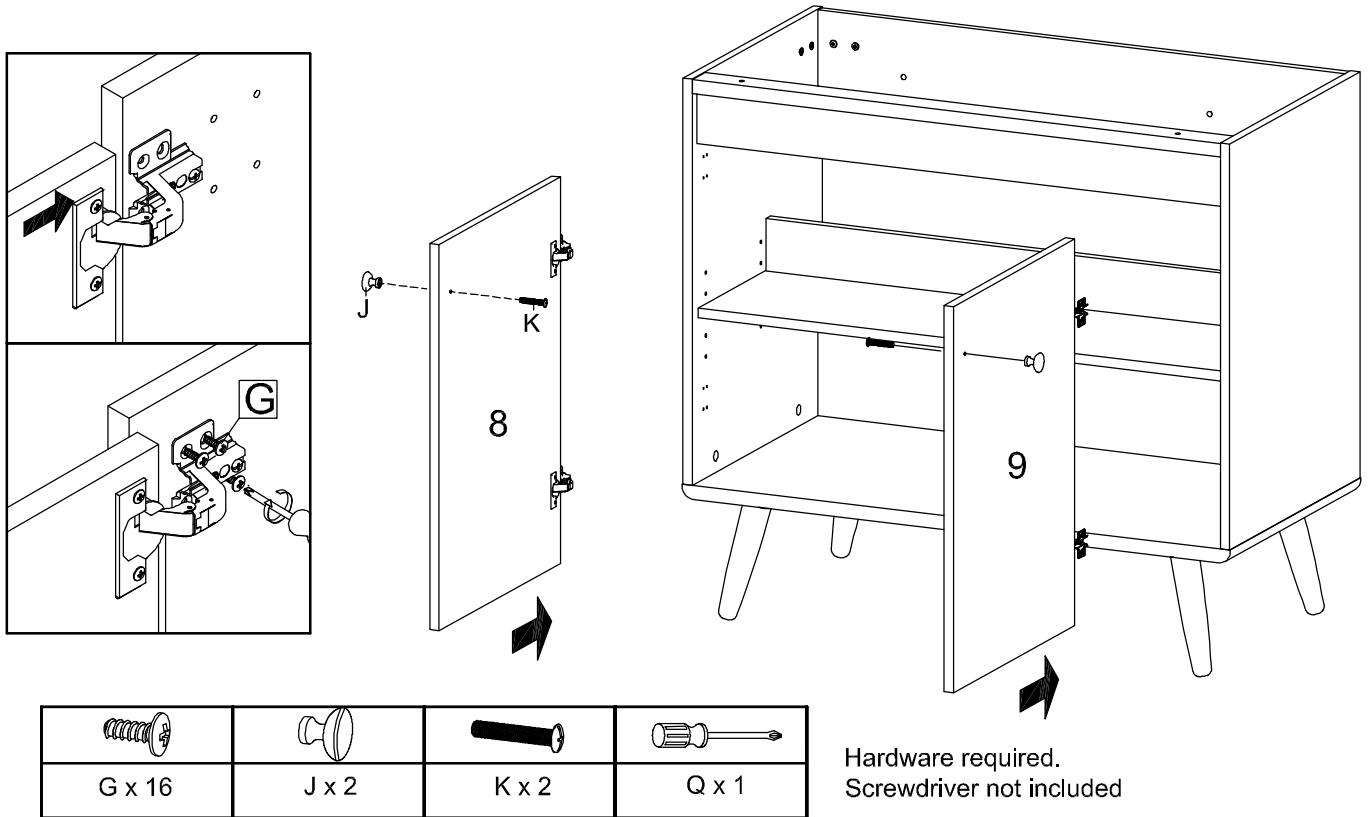
STEP 14:



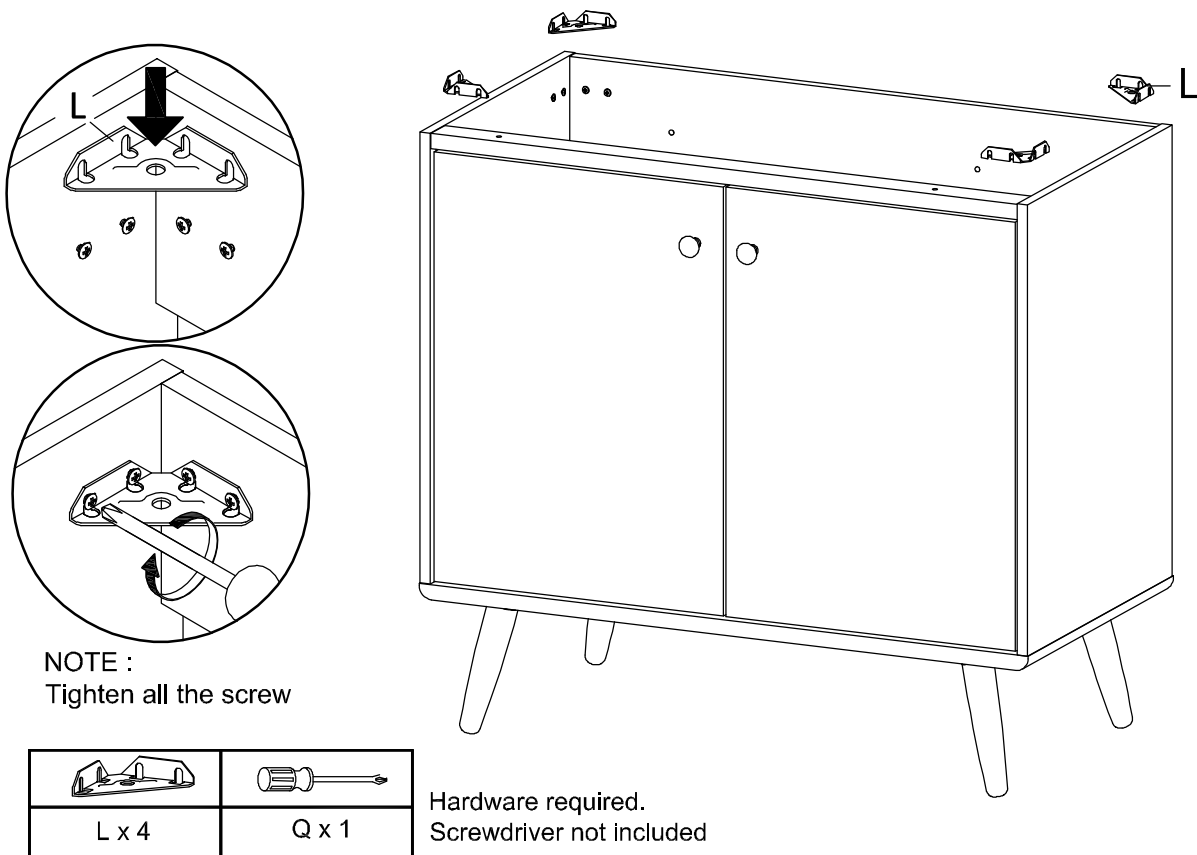
Hardware required.
Screwdriver not included

F x 4	G x 8	Q x 1

STEP 15:



STEP 16:




STEP 17:

DETAIL HOLE FOR WALL FIXING

NOTE :
Hammer, fisher and screw not included

ATTACHMENT OF FURNITURE
This furniture may represent a danger for your security if it's attachment on the wall has been done in an incorrect way. This attachment must be done by a person with great expertise who will make sure adequacy between the device of fixing and the wall. Please source the right fitting according to the wall type. For your safety, it is imperative to fix your furniture to the wall

	Hardware required.
P x 8	Screwdriver not included

STEP 18:

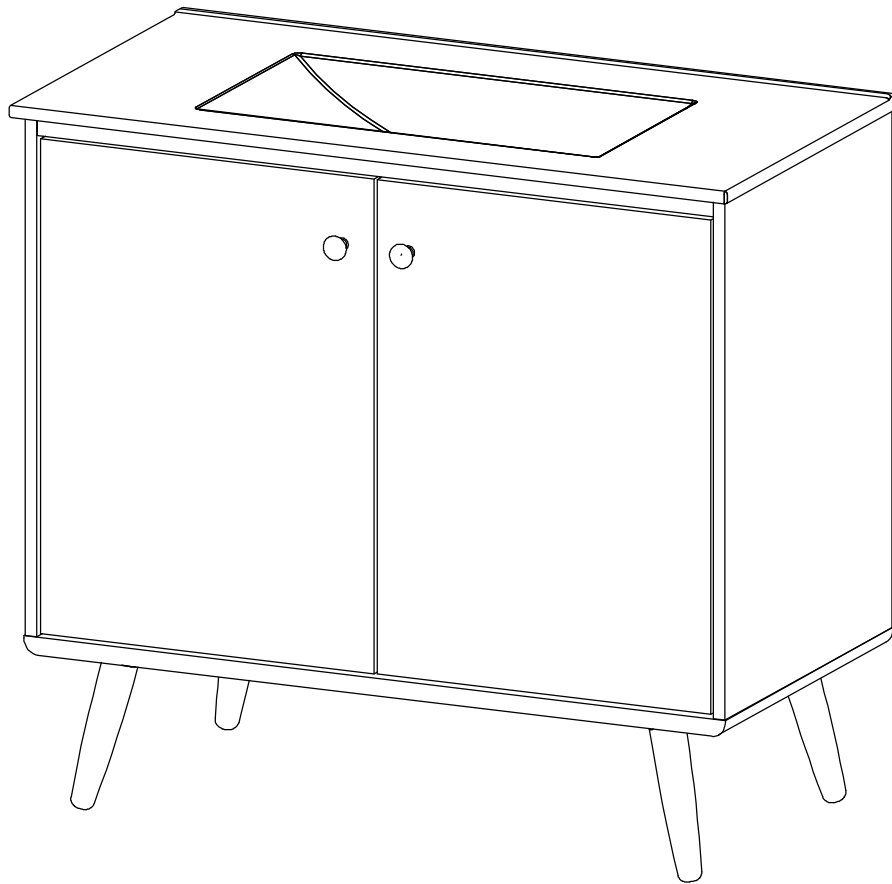
Apply a thin bead of silicone compound around the vanity base and set the vanity top carefully in place. Remove any excess silicone compound with a wet rag

Sold Separately

SILICONE

Silicone not included

STEP 19:



Assembly is complete. The Cabinet is ready to enjoy now !