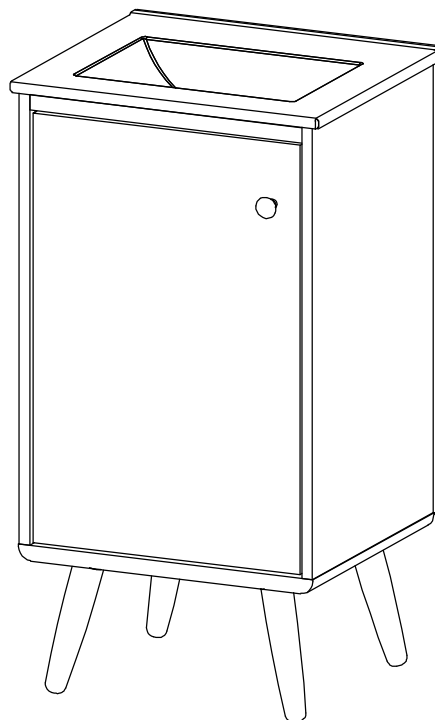


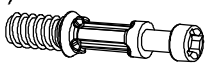


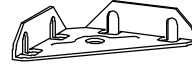
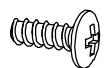


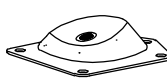
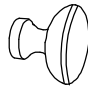
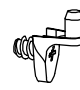
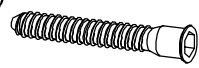


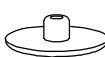
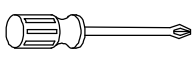
Thank you for purchasing the **MODWAY CABINET** !

Before you start, here are some helpful advice:

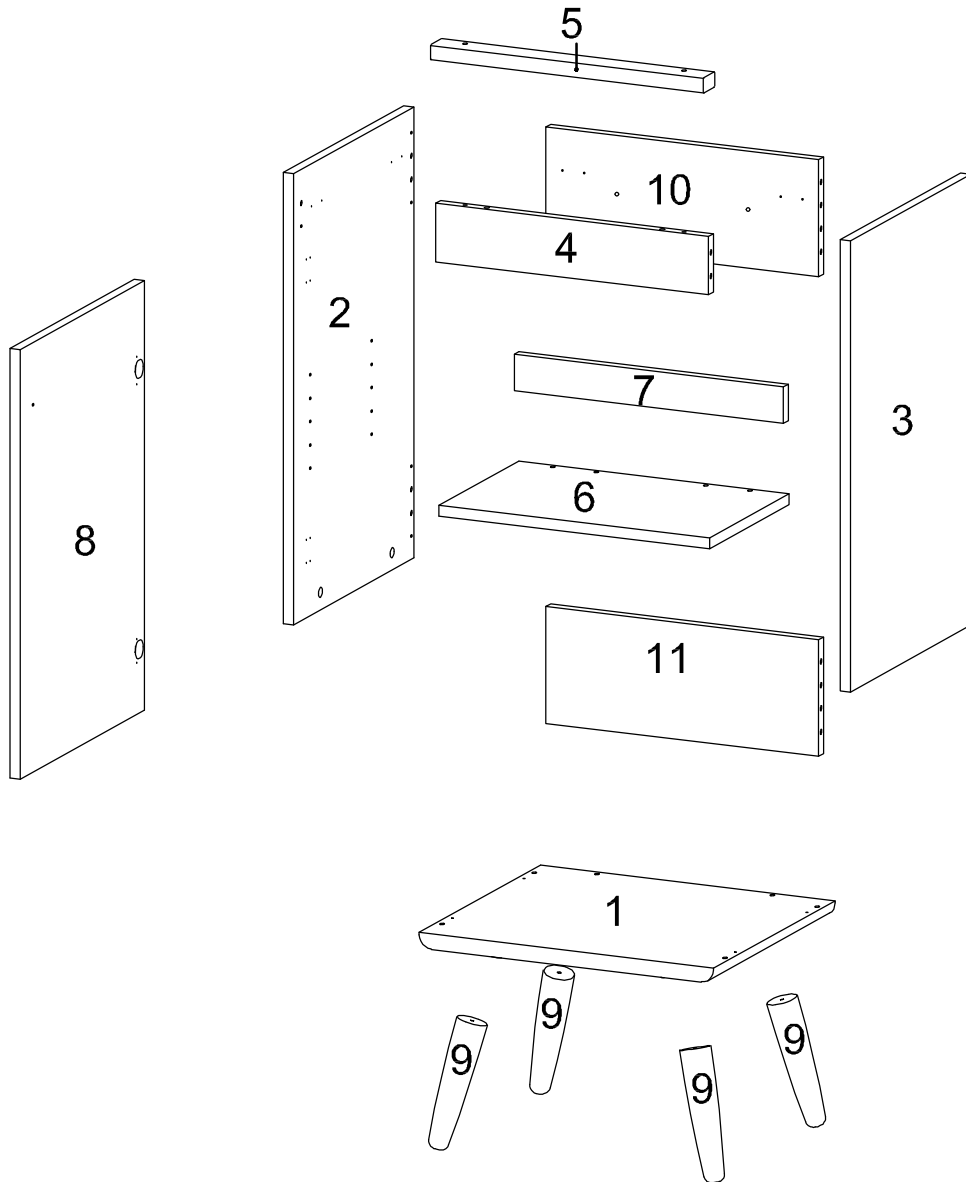
1. We suggest you spend a short time reading through this leaflet and then follow the simple step-by-step instructions.
2. Owing to the size and weight of the Cabinet, we recommend that it is assembled by two adults, on a carpeted or padded area, in the room that it is intended for. Approximate assembly time: 60 minutes.
3. Please do not use any tools other than those Provided or recommended in these instructions.
4. Please do not throw away any of the packaging or instructions until you have checked all the components and hardware and the furniture is fully assembled.
5. Assemble all components loosely until advised to tighten. Depending on use, it may be necessary to tighten the components from time to time, so please save the tools that have been provided.
6. Please keep all pieces out of reach of children.



Hardware :

A) Cambolt /Metal  \varnothing 6 x 35 mm x 14	B) CamLock /Metal  \varnothing 15 mm x 14	C) Dowel /Wood  \varnothing 8x30 mm x 20	D) Bracket/Metal  x 4	E) Screw/Metal  M 4.5 x 12.5 mm x 48
F) Screw/Metal  M 4 x 22 mm x 1	G) Hinge set/Metal  x 2	H) Plate/Metal  x 4	I) Door/Drawer Knob/Metal Chrome  x 1	J) Shelf Support/Metal  x 4
K) Screw/Metal  M 7 x 50 mm x 4	L) Hex/Allen Key/Metal  L 4 x 1	M) Floor Protector/Sponge/Felt  25 x 15 x 2 mm x 8	N) Screw Cap/Plastic  \varnothing 15 mm x 4	O) x 1  Screwdriver (Not Include)

Components:



1 Bottom Board	x1	2 Side Board Left	x1	3 Side Board Right	x1	4 Front Skirt 1	x1
5 Front Skirt 2	x1	6 Adjustable Shelf	x1	7 Support Board	x1	8 Wooden Door	x1
9 Leg	x4	10 Back Board 1	x1	11 Back Board 2	x1		

STEP 1:

Don't over tighten $\pm 2 - 3$ mm

A x 14	C x 4	E x 8	J x 4	O x 1

Hardware required.
Screwdriver not included

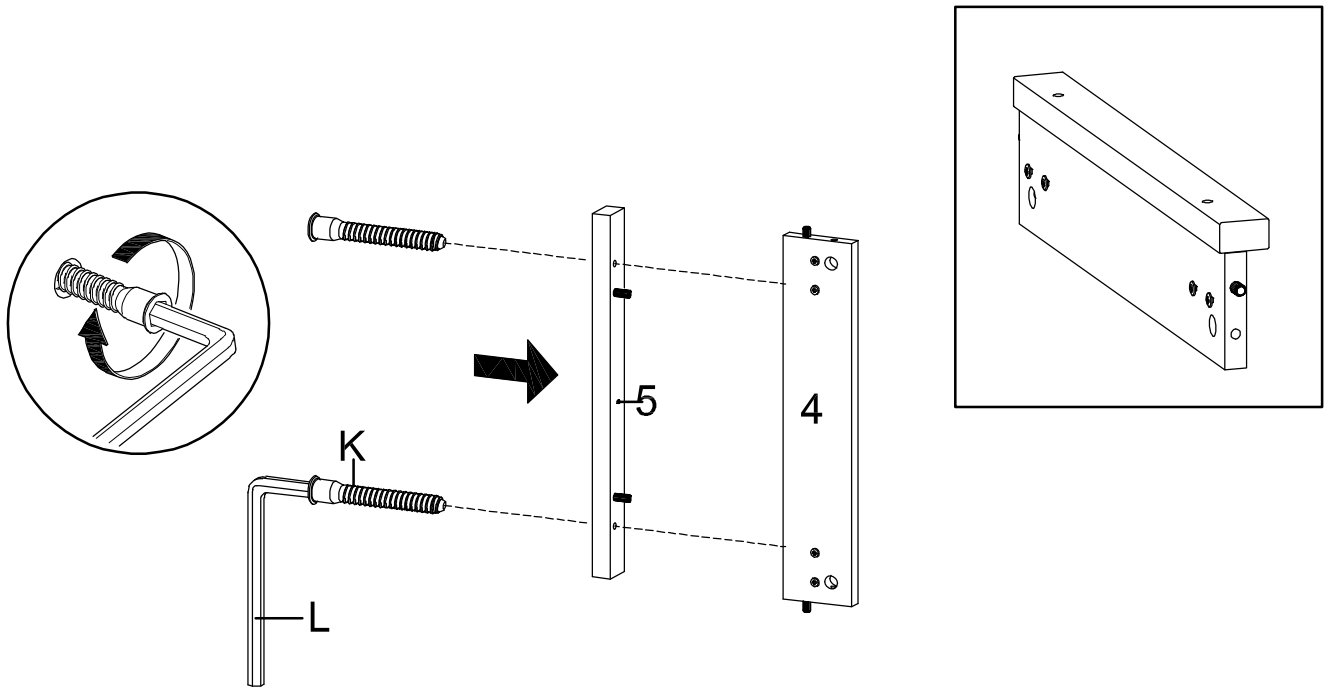
STEP 2:



Don't over tighten $\pm 2 - 3$ mm

C x 14	E x 8	O x 1

Hardware required.
Screwdriver not included

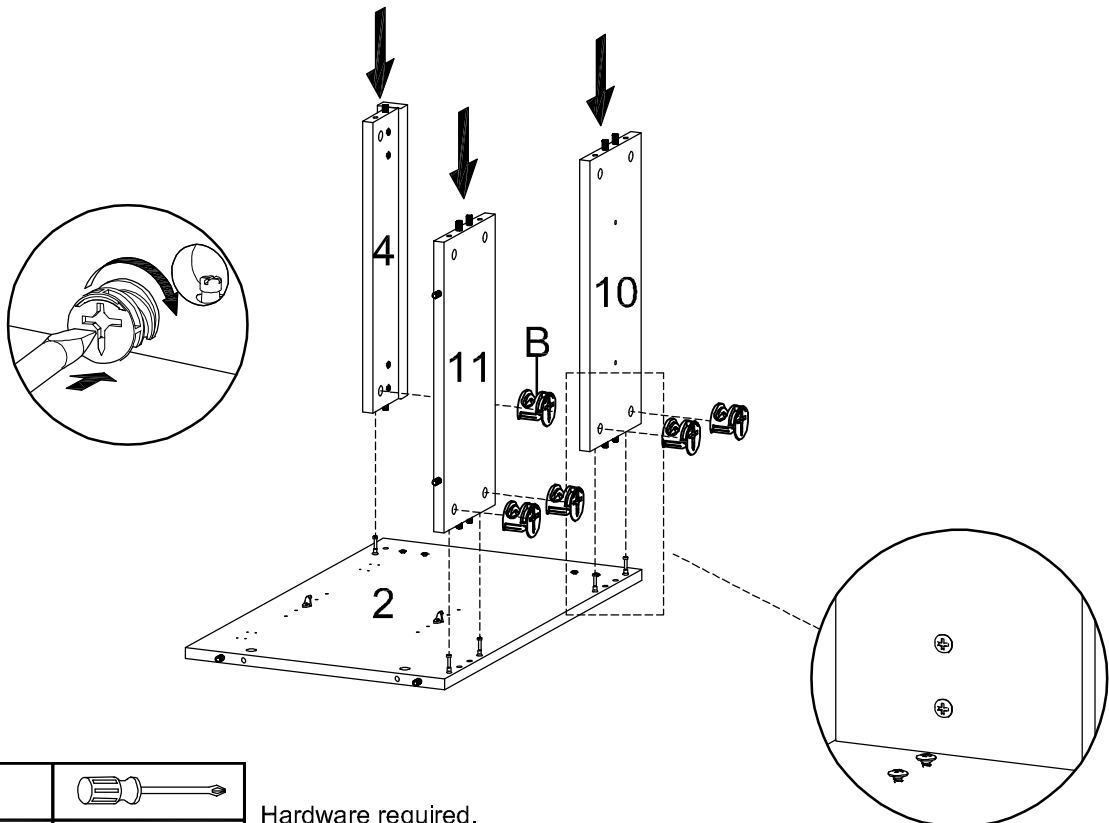
STEP 3:


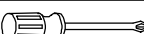


	
K x 2	L x 1

Hardware required.

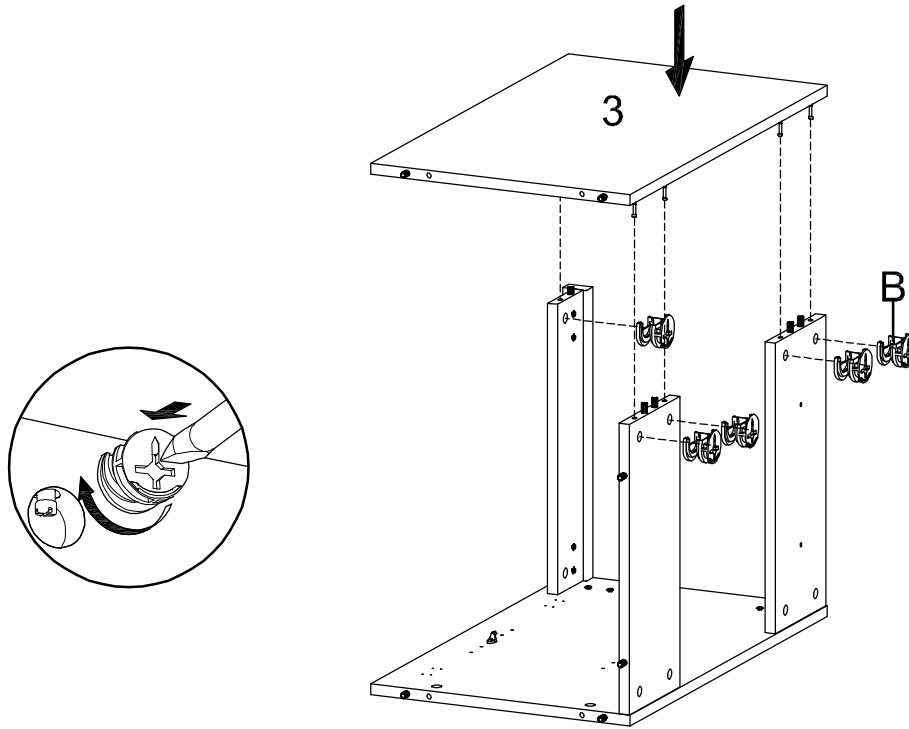
STEP 4:


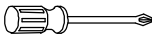


	
B x 5	O x 1

Hardware required.
Screwdriver not included

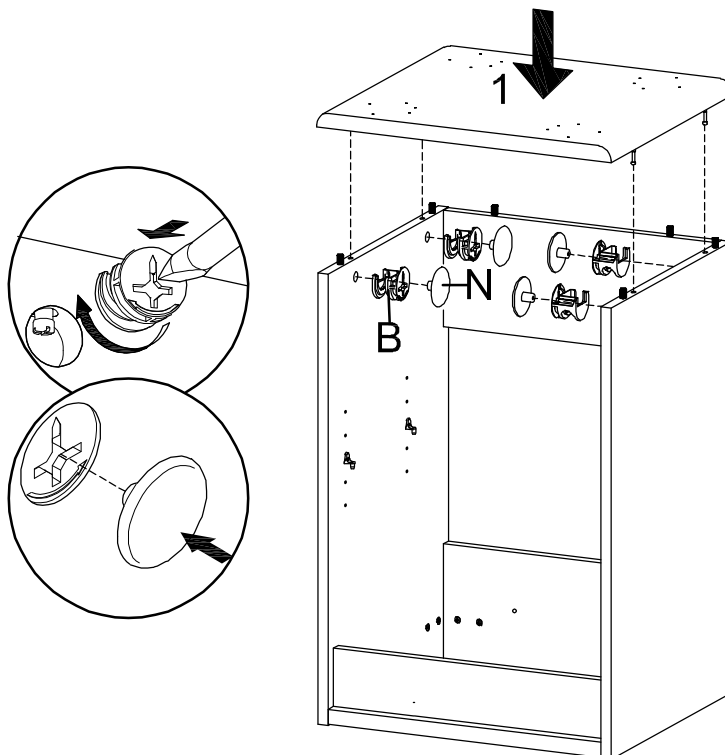
STEP 5:



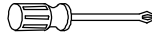


	
B x 5	O x 1

Hardware required.
Screwdriver not included

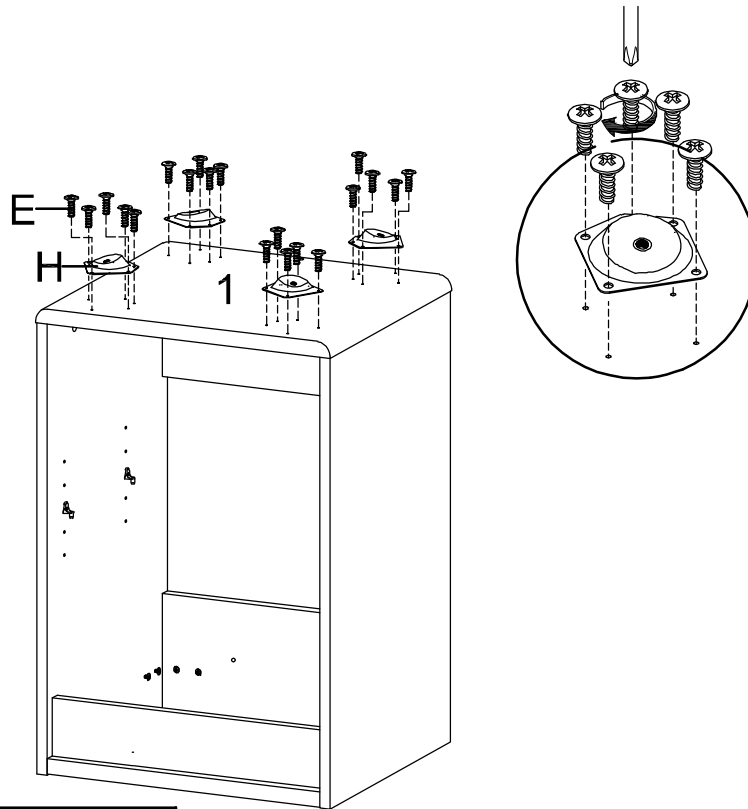
STEP 6:



		
B x 4	N x 4	O x 1

Hardware required.
Screwdriver not included

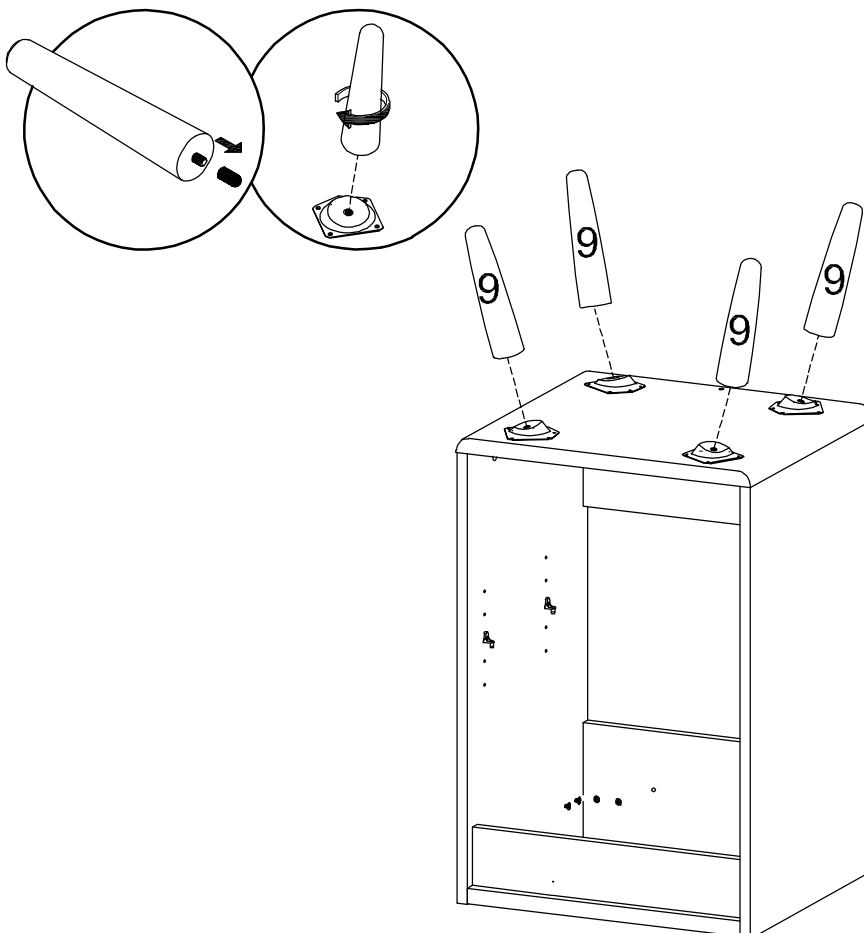
STEP 7:



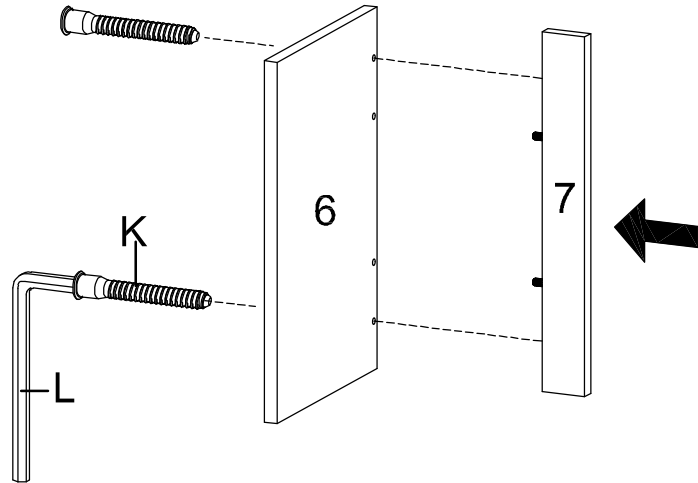
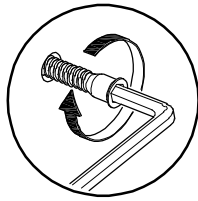
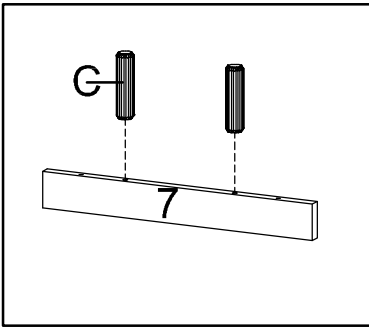
E x 20	H x 4	O x 1

Hardware required.
Screwdriver not included

STEP 8:



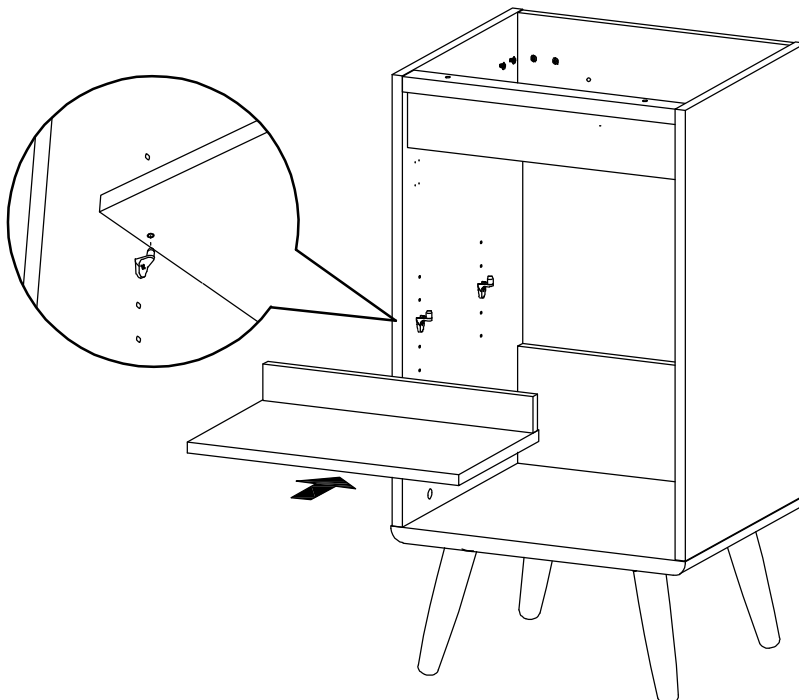
STEP 9:



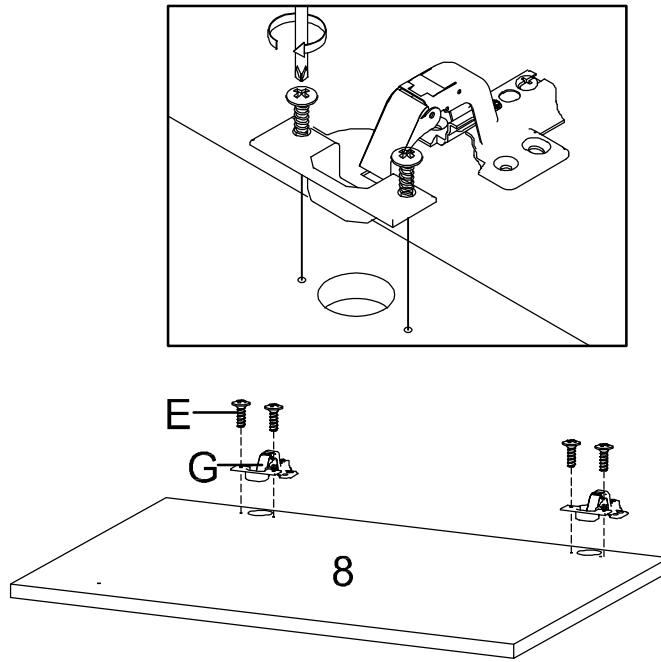
C x 2	K x 2	L

Hardware required.

STEP 10:



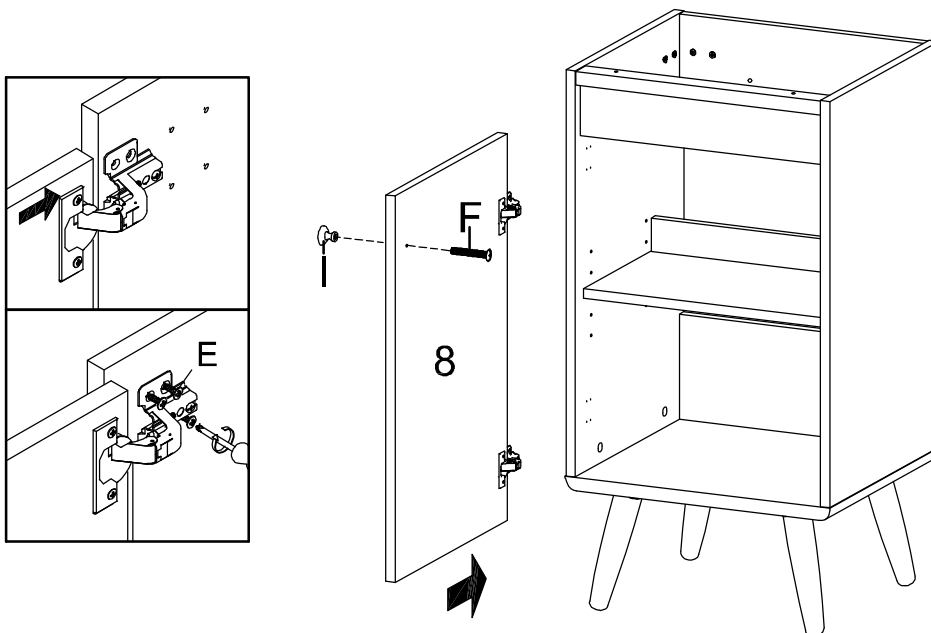
STEP 11:



Hardware required.
Screwdriver not included

G x 2	E x 4	O x 1

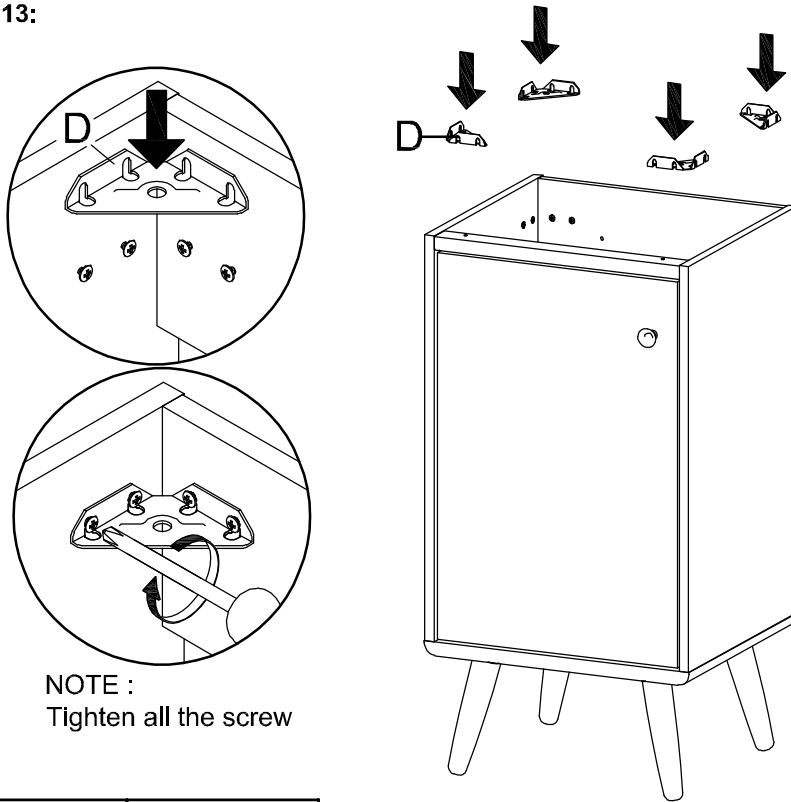
STEP 12:



E x 8	I x 1	F x 1	O x 1

Hardware required.
Screwdriver not included

STEP 13:

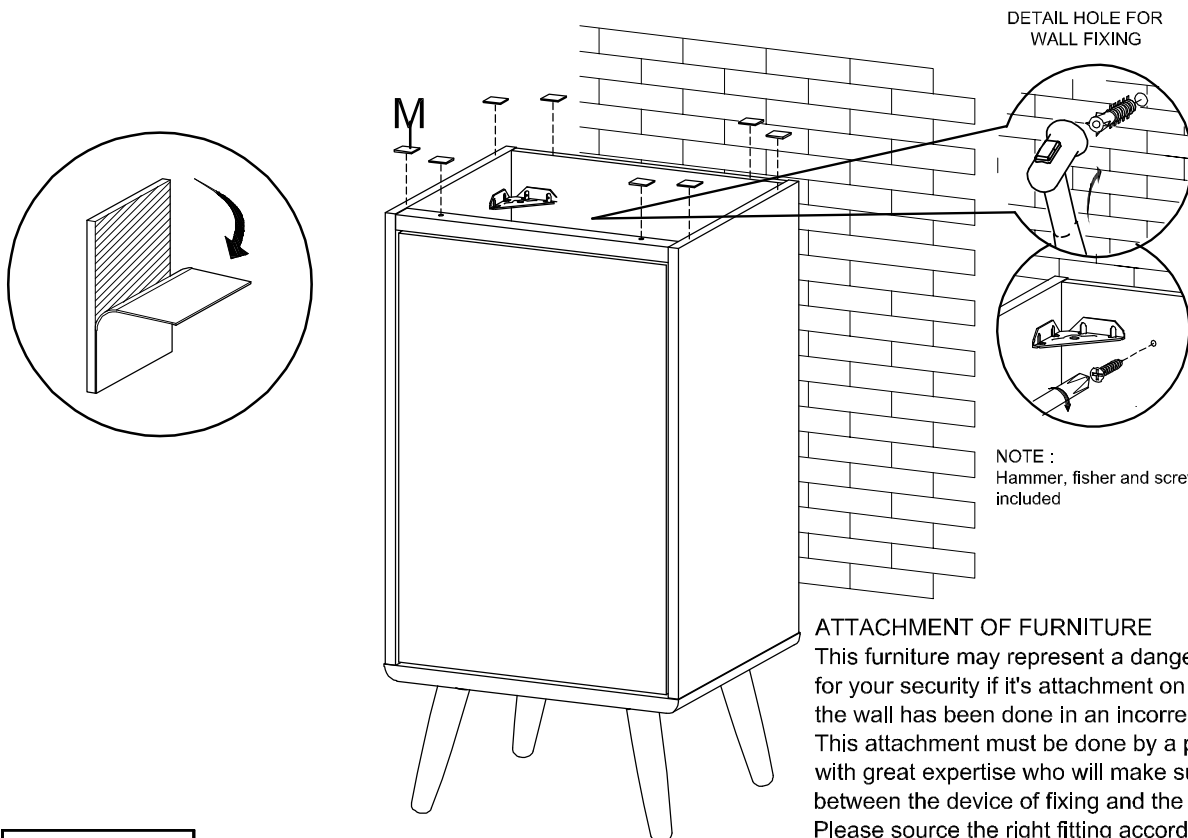


NOTE :
Tighten all the screw

D x 4	O x 1

Hardware required.
Screwdriver not included

STEP 14:



DETAIL HOLE FOR
WALL FIXING

NOTE :
Hammer, fisher and screw not
included

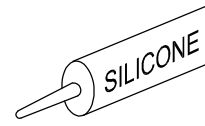
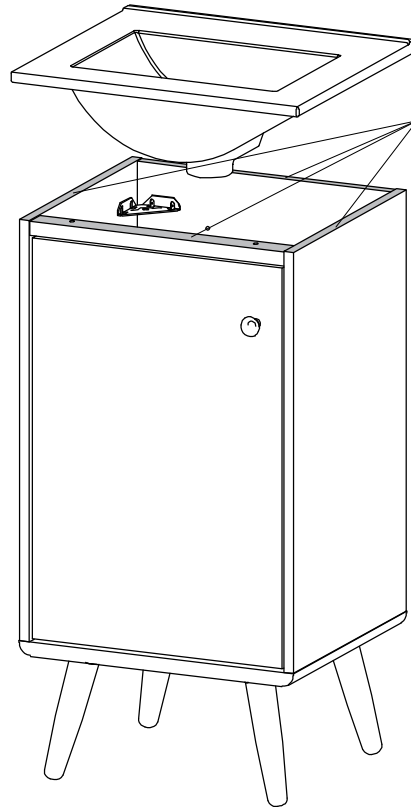
ATTACHMENT OF FURNITURE
This furniture may represent a danger
for your security if it's attachment on
the wall has been done in an incorrect way.
This attachment must be done by a person
with great expertise who will make sure adequacy
between the device of fixing and the wall.
Please source the right fitting according
to the wall type. For your safety,
it is imperative to fix your furniture to the wall

M x 8

Hardware required.

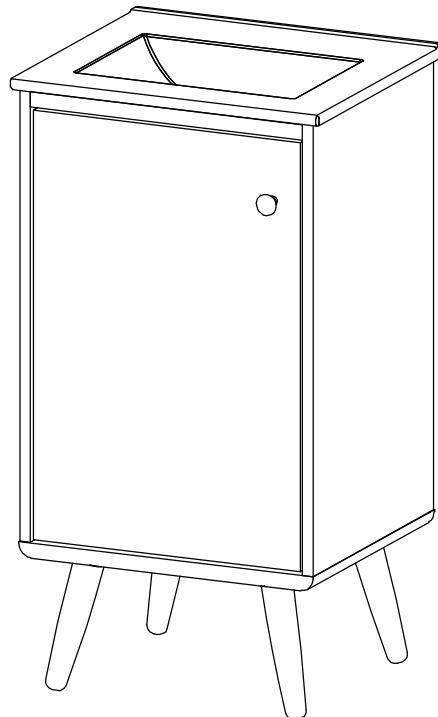
STEP 15:

Apply a thin bead of silicone compound around the vanity base and set the vanity top carefully in place. Remove any excess silicone compound with a wet rag



Silicone not included

STEP 16:



Assembly is complete. The Cabinet is ready to enjoy now !