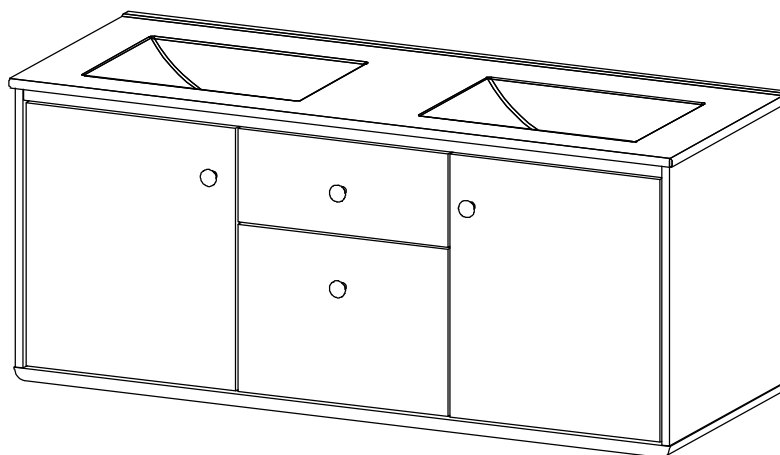


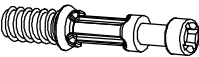





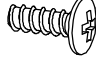
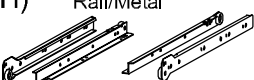






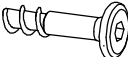
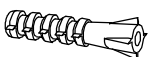


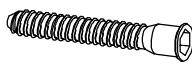




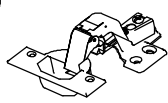
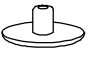

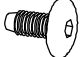
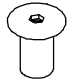

Thank you for purchasing the **MODWAY CABINET** !

Before you start, here are some helpful advice:

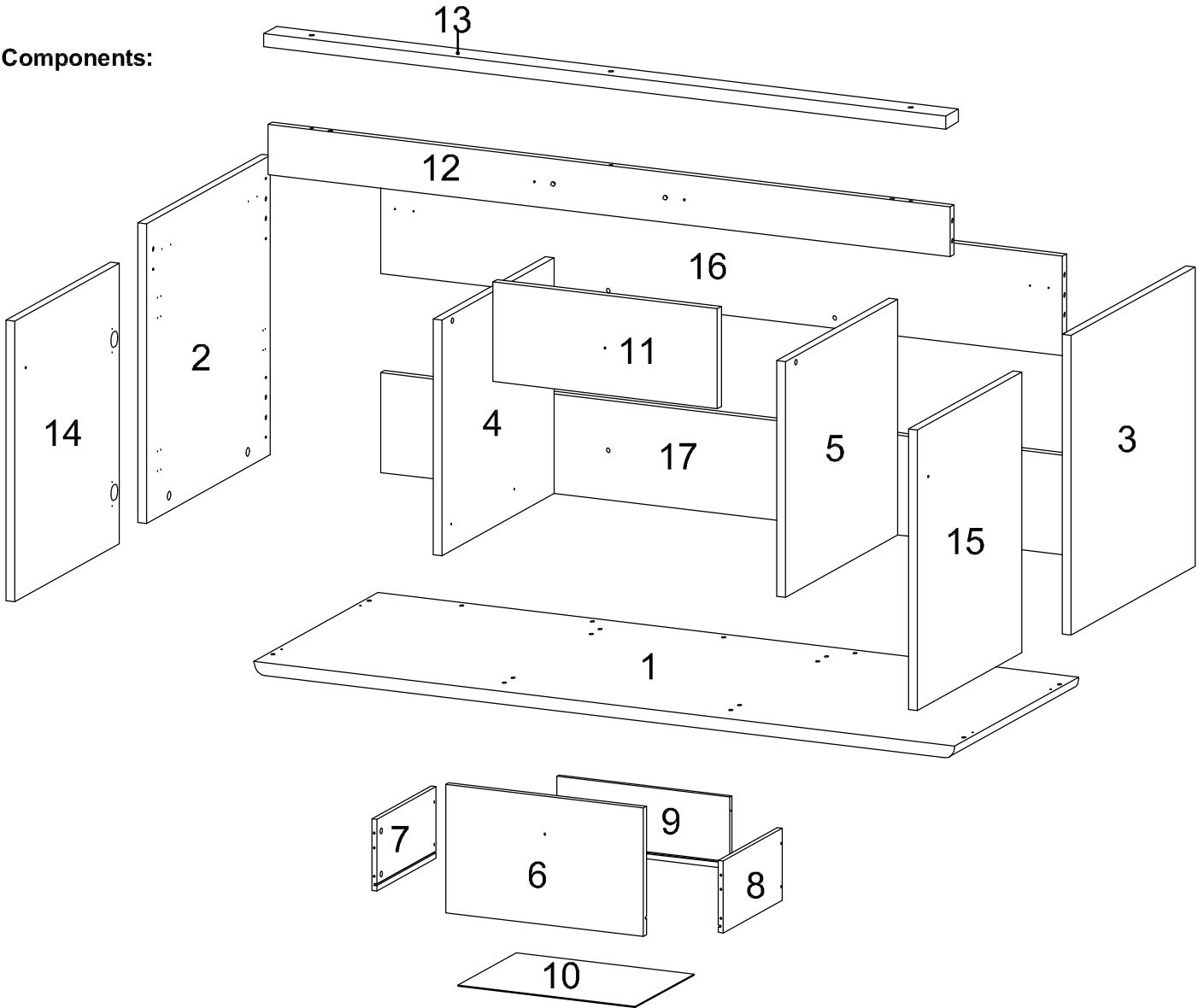
1. We suggest you spend a short time reading through this leaflet and then follow the simple step-by-step instructions.
2. Owing to the size and weight of the Cabinet, we recommend that it is assembled by two adults, on a carpeted or padded area, in the room that it is intended for. Approximate assembly time: 75 minutes.
3. Please do not use any tools other than those Provided or recommended in these instructions.
4. Please do not throw away any of the packaging or instructions until you have checked all the components and hardware and the furniture is fully assembled.
5. Assemble all components loosely until advised to tighten. Depending on use, it may be necessary to tighten the components from time to time, so please save the tools that have been provided.
6. Please keep all pieces out of reach of children.



Hardware :

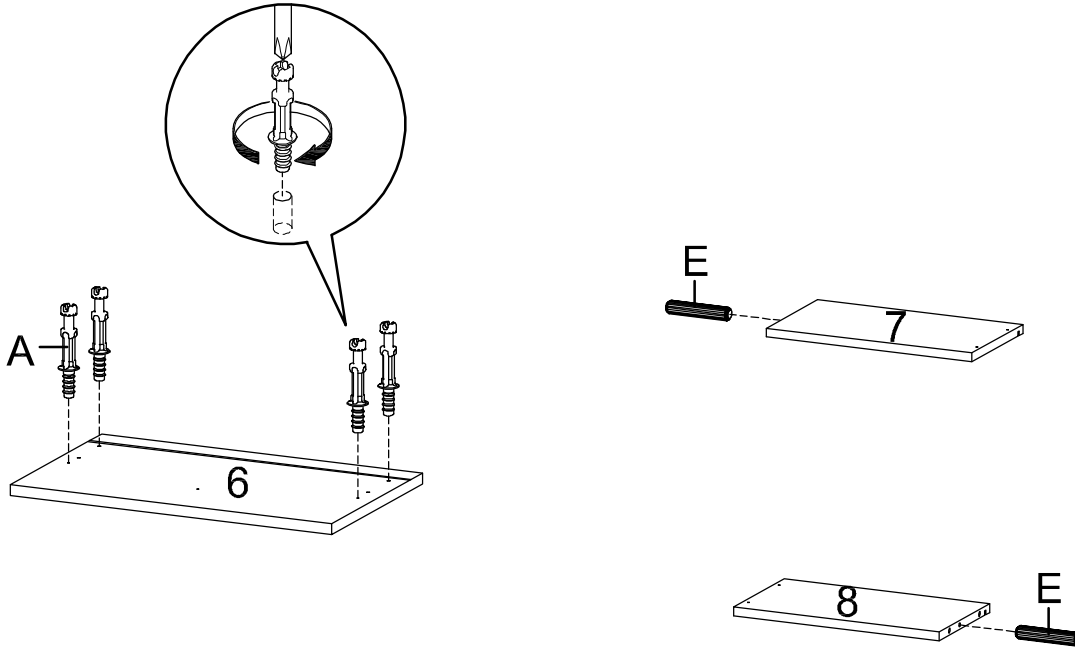
A) Cambolt Big/Metal  Ø 6 x 35 mm x 18	B) CamLock Big/Metal  Ø 15 mm x 14	C) CamLock Small/Metal  Ø 12 mm x 4	D) Dowel Big/Wood  Ø 8x30 mm x 22	E) Dowel Medium/Wood  Ø6x30 mm x 2
F) Bracket/Metal  x 4	G) Screw/Metal  M 4.5 x 12.5 mm x 52	H) Rail/Metal  x 1	I) Screw/Metal  M 6 x 10.5 mm x 4	J) Screw/Metal  M 3.5 x 13 mm x 6
K) Screw/Metal  M 8 x 39 mm x 4	L) Screw/Metal  5.5 x 45 mm x 11	M) Hanger/Metal  x 2	N) Short Bracket/Metal  x 4	O) Screw/Metal  M 6.4 x 25 mm x 2
P) Wall Plug/Plastic  5002 x 11	Q) Long Bracket/Aluminium  x 1	R) Screw/Metal  M 6.4 x 14 mm x 8	S) Screw/Metal  M 7 x 50 mm x 14	T) Hex/Allen Key/Metal  L 4 x 2
U) Floor Protector/Sponge/Felt  25 x 15 x 2 mm x 10	V) Door Drawer Knob/Metal Chrome  x 4	W) Screw/Metal  M 4 x 22 mm x 4	X)  x 4	Y) Screw Cap/Plastic  Ø 15 mm x 4
Z) Bracket/Metal  x 2	AA) Screw/Metal  M 6 x 15 mm x 2	AB) Bracket/Metal  x 2	AC) Dowel Small/Wood  Ø8x20 mm x 2	AD) Screwdriver (Not Include) x 1



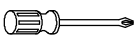
Components:



1	Bottom Board	x 1	2	Side Board Left	x 1	3	Side Board Right	x 1	4	Center Board Left	x 1
5	Center Board Right	x 1	6	Front Drawer	x 1	7	Side Drawer Left	x 1	8	Side Drawer Right	x 1
9	Back Drawer	x 1	10	Bottom Drawer	x 1	11	Fake Front Drawer	x 1	12	Front Skirt 1	x 1
13	Front Skirt 2	x 1	14	Wooden Door Left	x 1	15	Wooden Door Right	x 1	16	Back Board 1	x 1
17	Back Board 2	x 1									

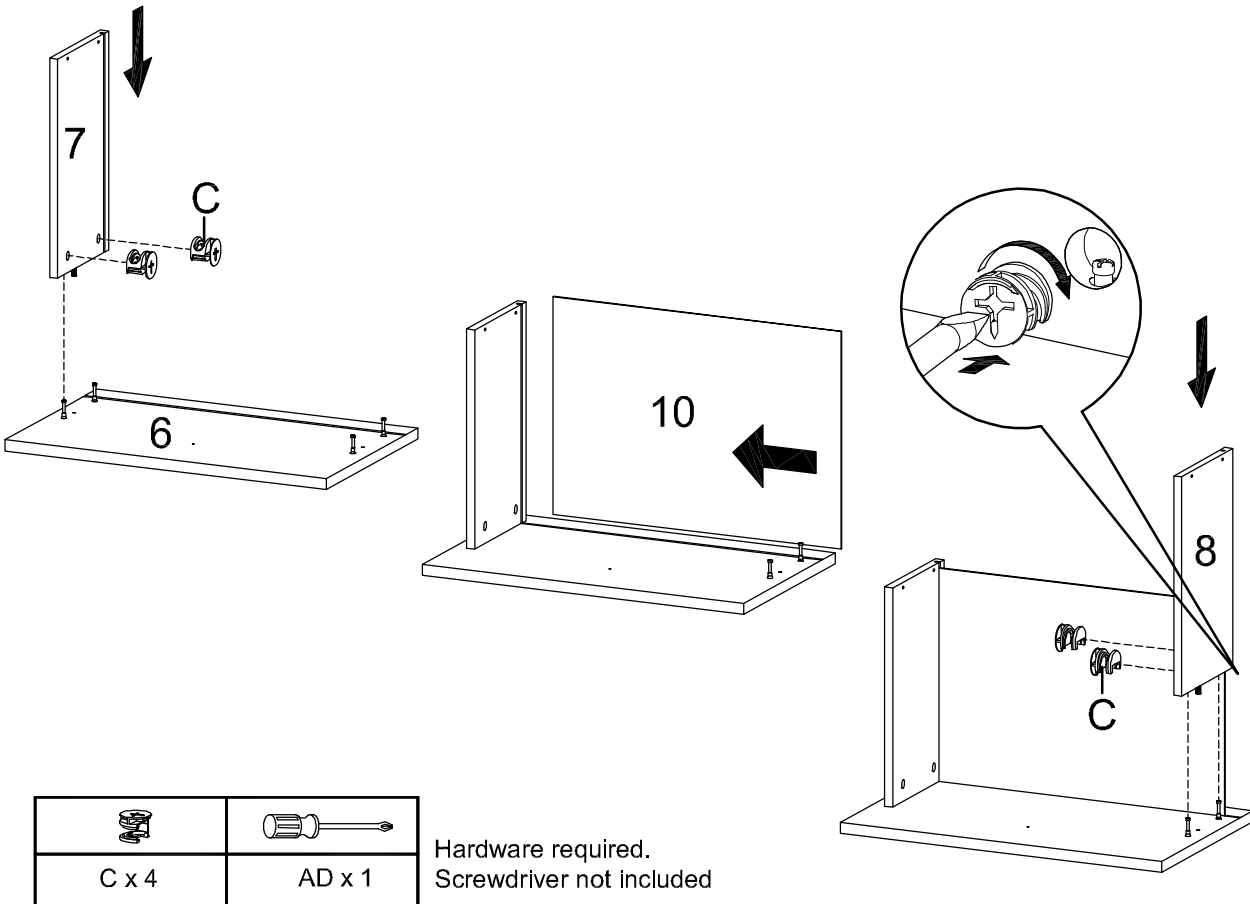
STEP 1:


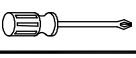


		
A x 4	E x 2	AD x 1

Hardware required.
Screwdriver not included

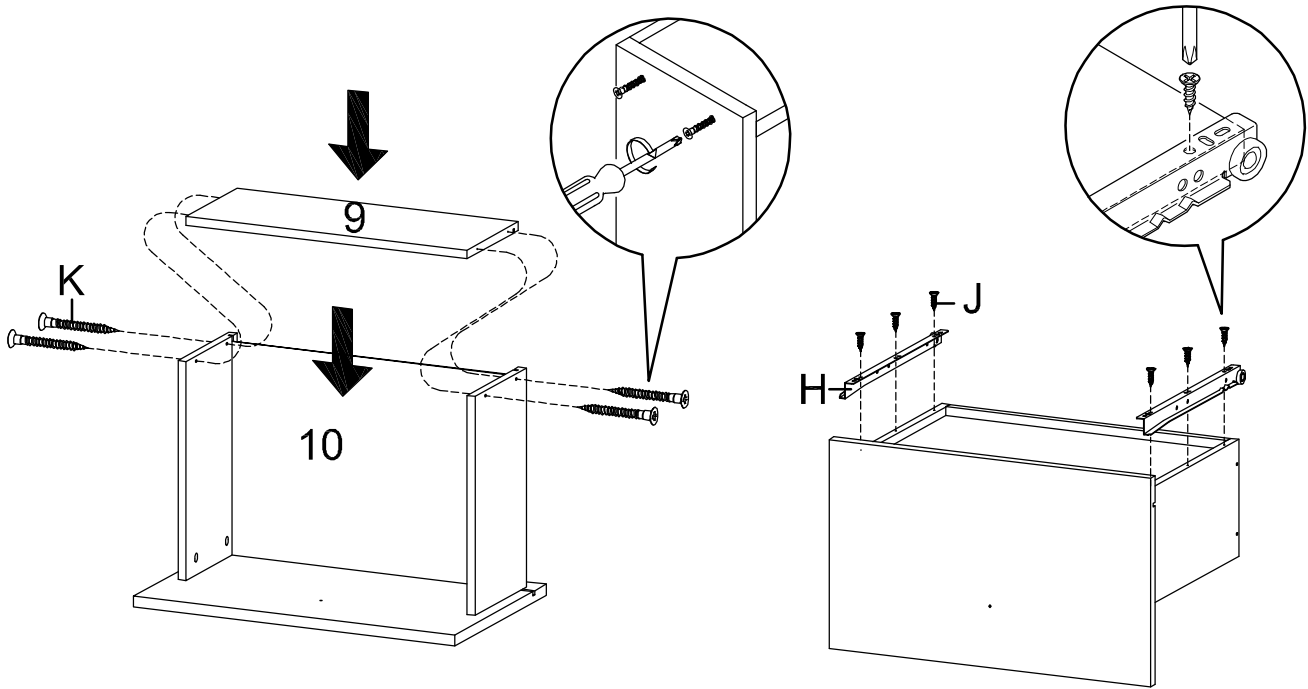
STEP 2:



	
C x 4	AD x 1

Hardware required.
Screwdriver not included

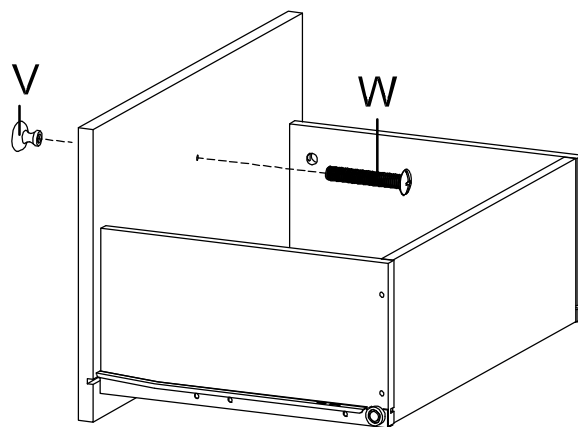
STEP 3:



Hardware required.
Screwdriver not included

H x 1	J x 6	K x 4	AD x 1

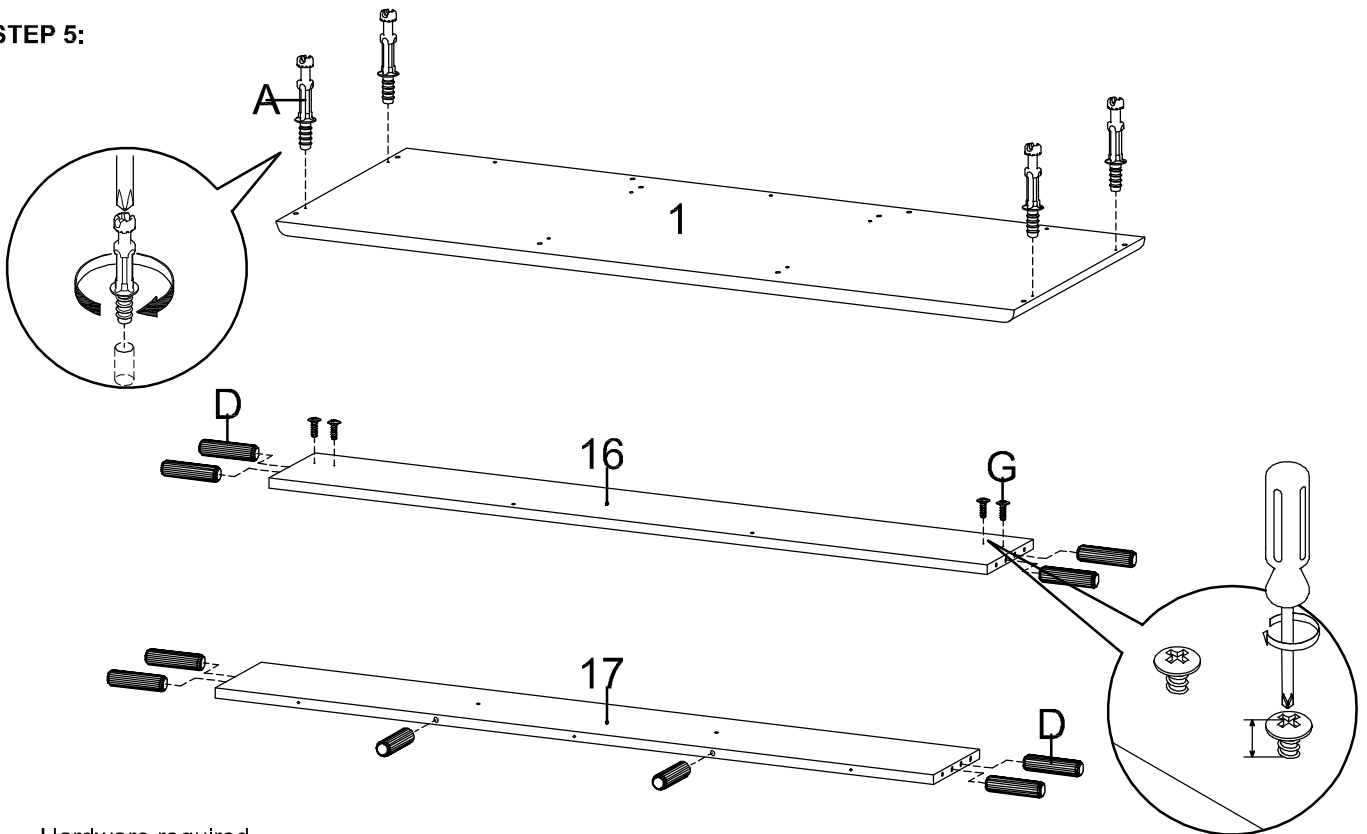
STEP 4:



V x 1	W x 1	AD x 1

Hardware required.
Screwdriver not included

STEP 5:

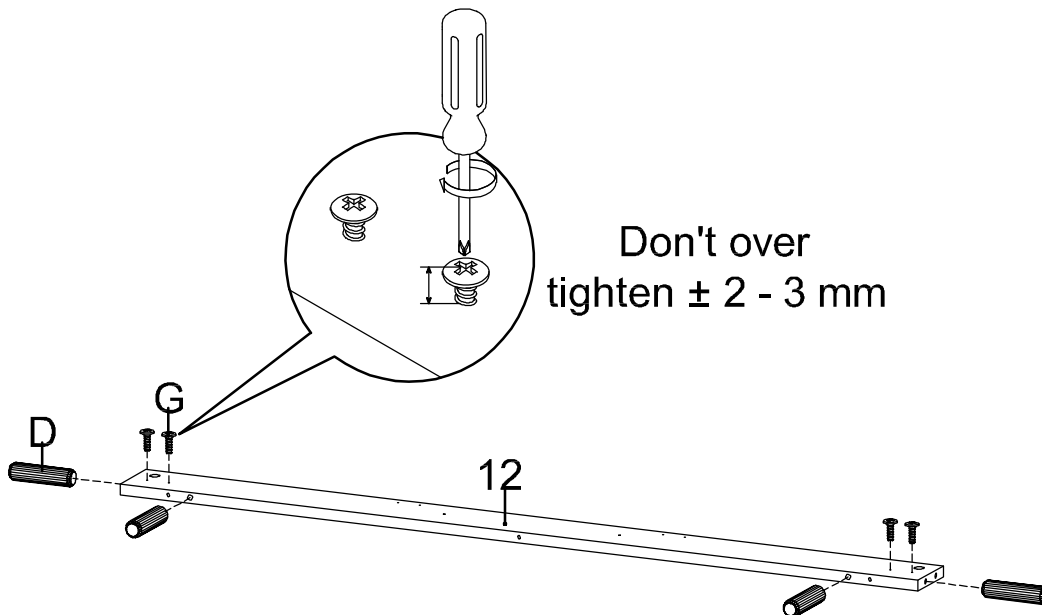


Hardware required.
Screwdriver not included

A x 4	D x 10	G x 4	AD x 1

Don't over
tighten $\pm 2 - 3$ mm

STEP 6:

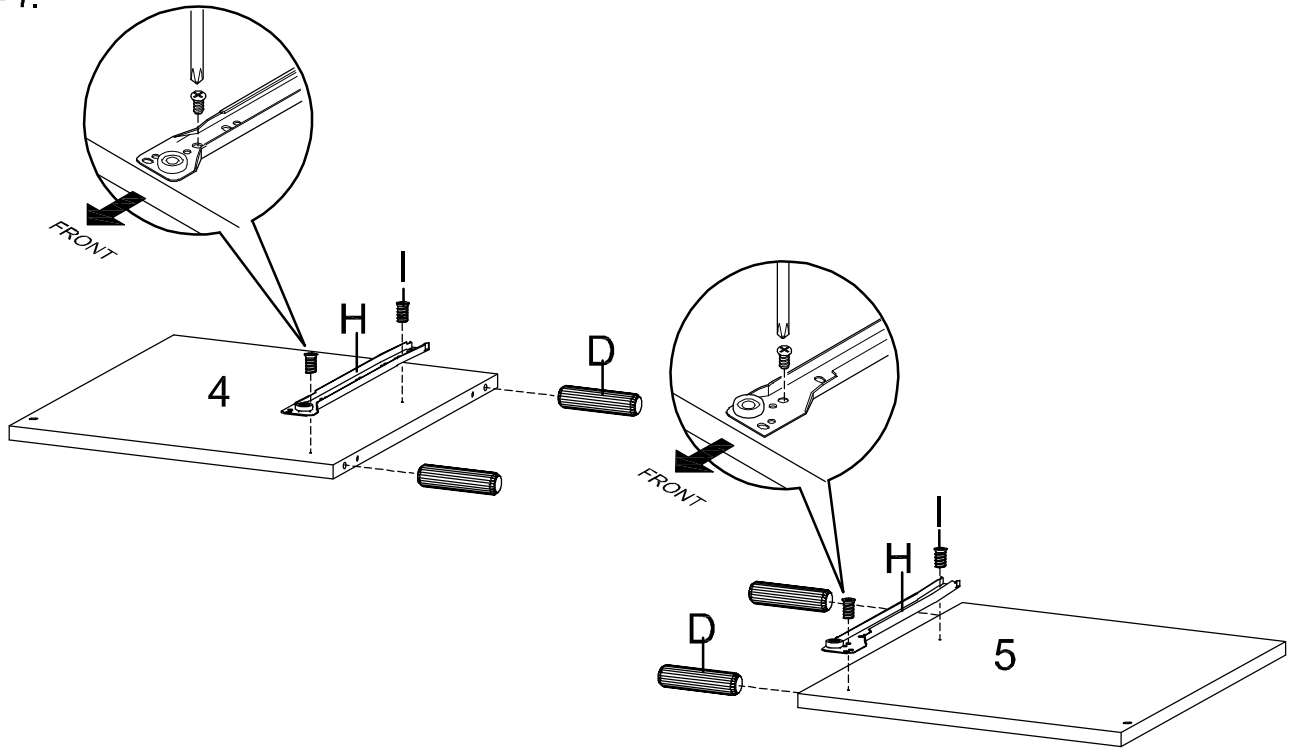


Don't over
tighten $\pm 2 - 3$ mm

D x 4	G x 4	AD x 1

Hardware required.
Screwdriver not included

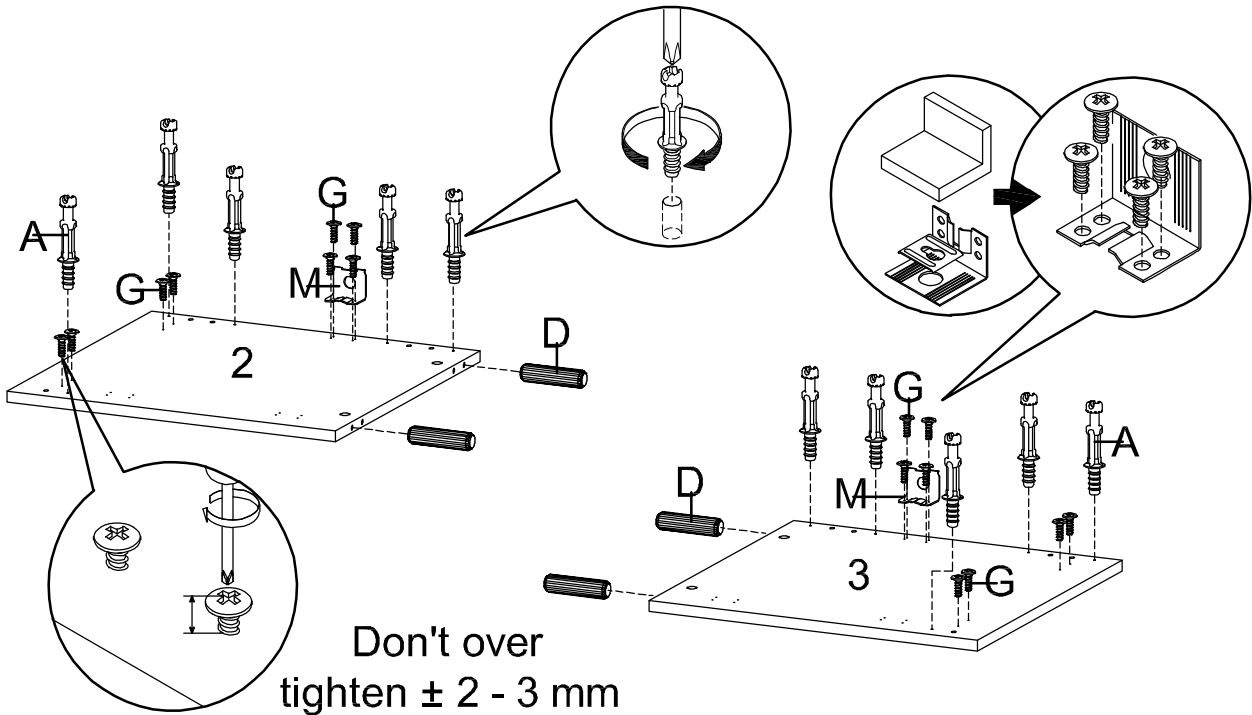
STEP 7:



Hardware required.
Screwdriver not included

H x 1	I x 4	D x 4	AD x 1

STEP 8:

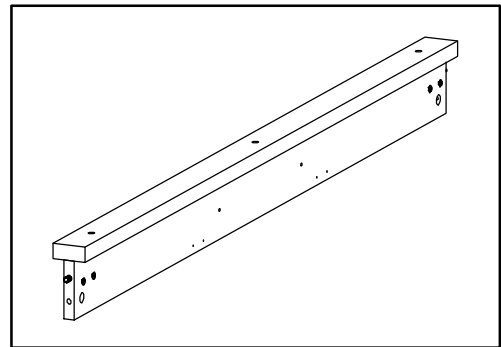
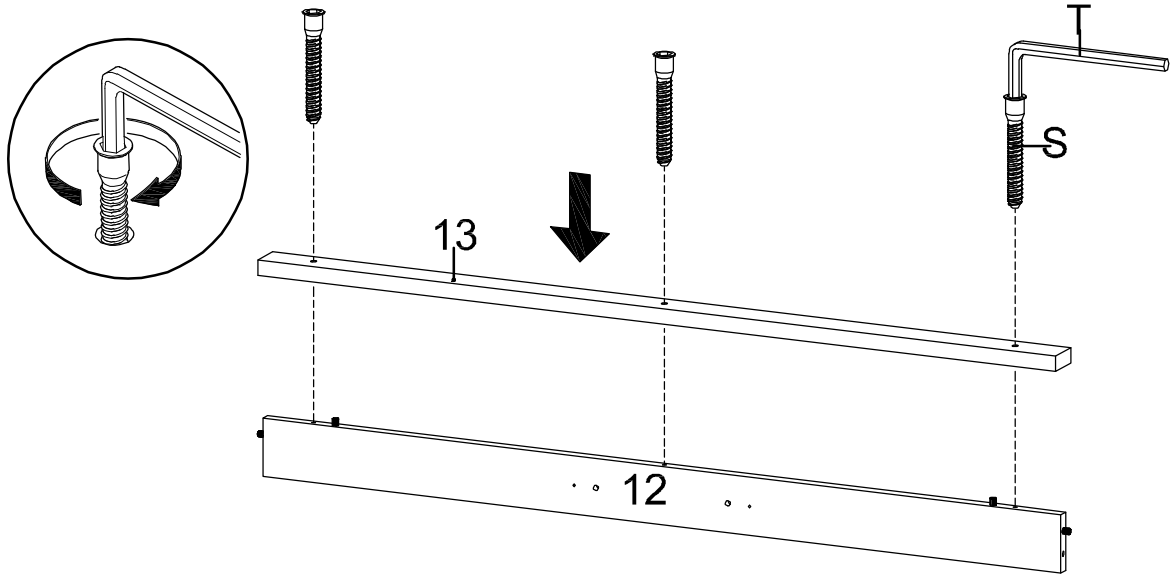


Don't over
tighten $\pm 2 - 3$ mm

Hardware required.
Screwdriver not included

A x 10	D x 4	G x 16	M x 2	AD x 1

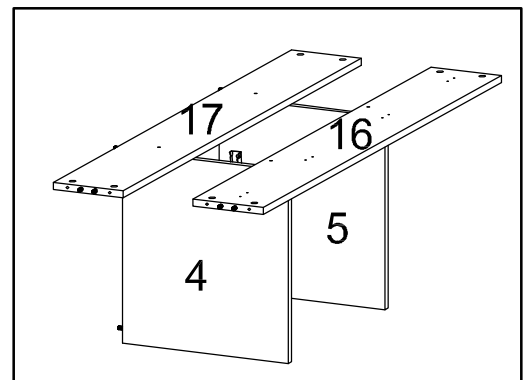
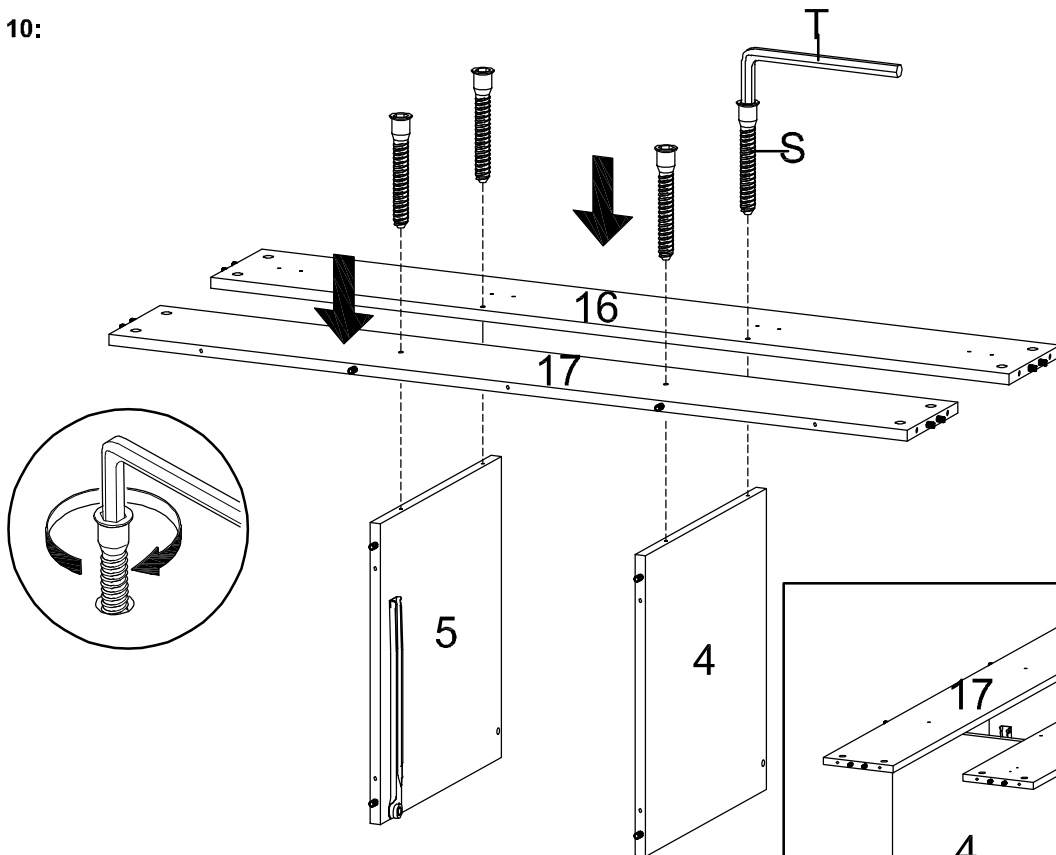
STEP 9:



S x 3	T

Hardware required.

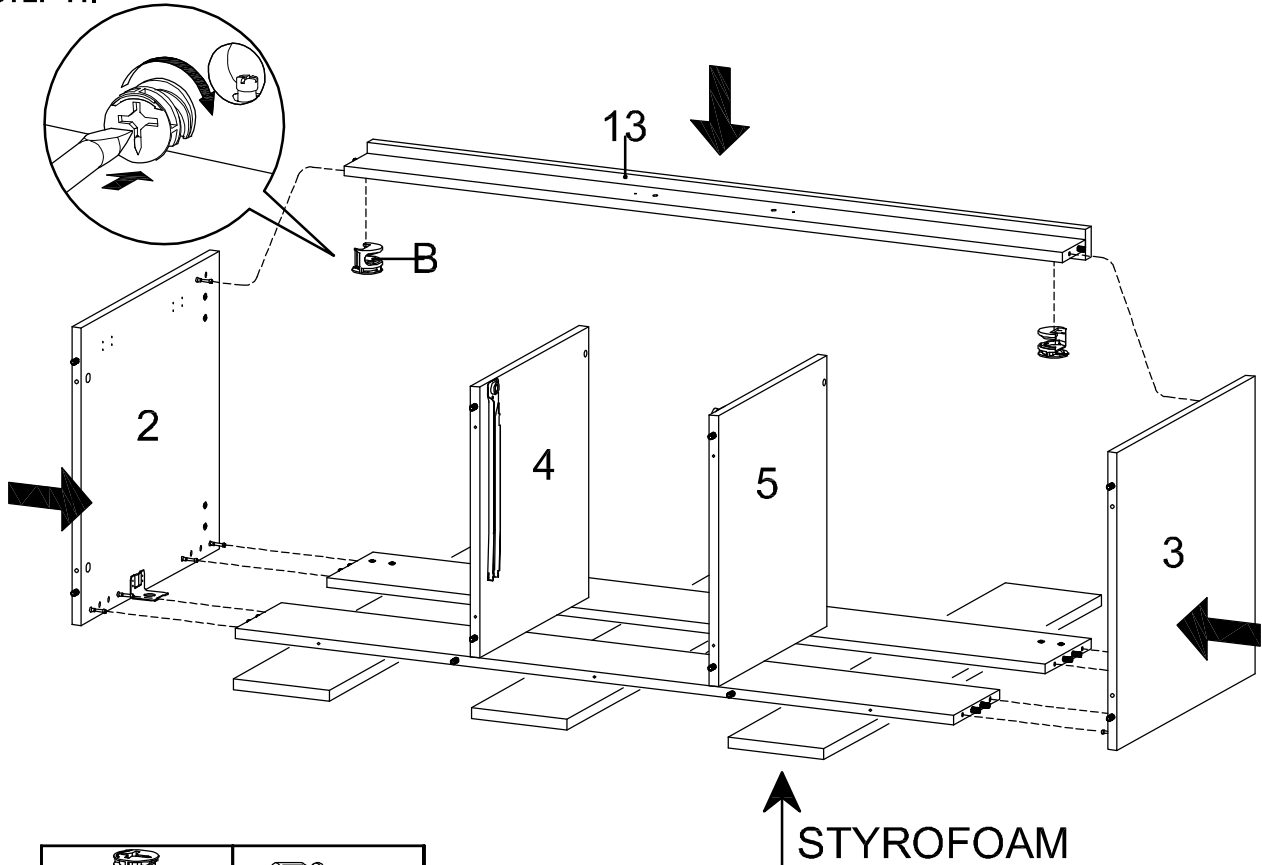
STEP 10:



S x 4	T x 1

Hardware required.

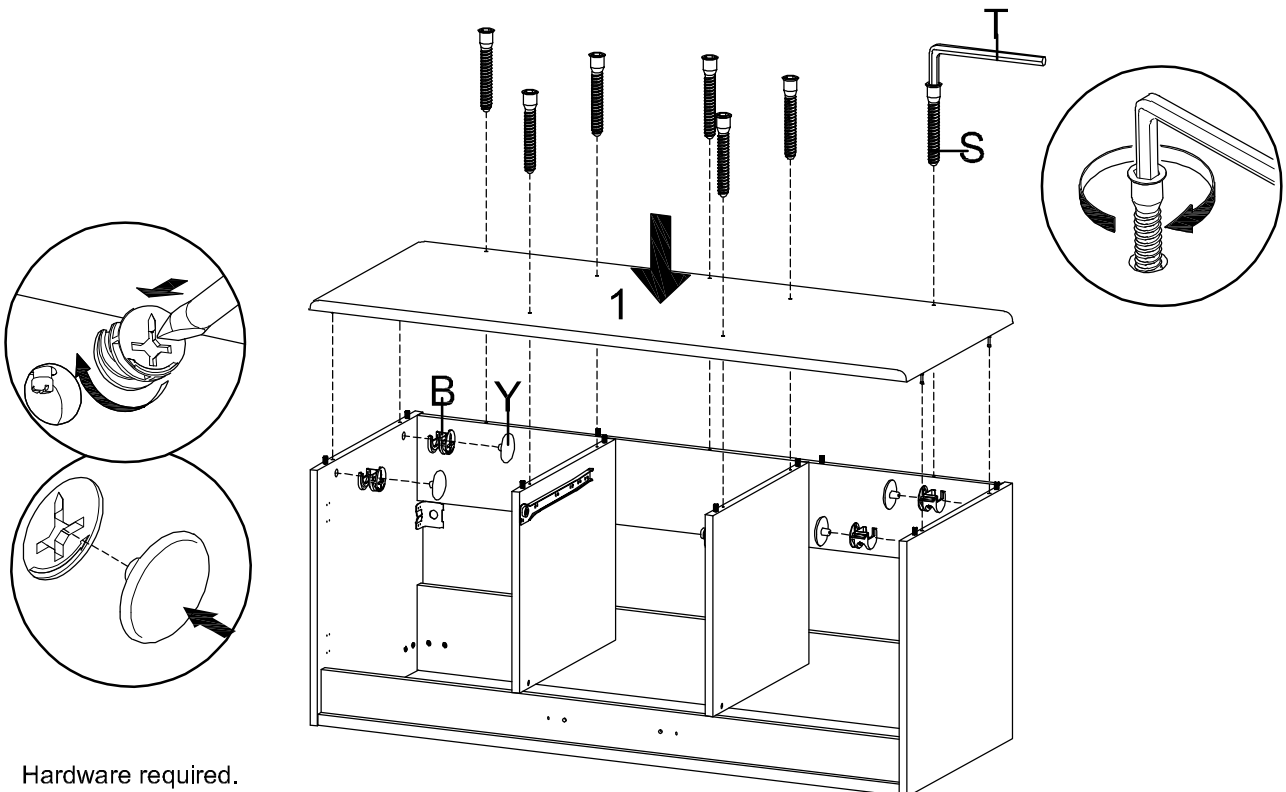
STEP 11:



B x 2	AD x 1

Hardware required.
Screwdriver not included

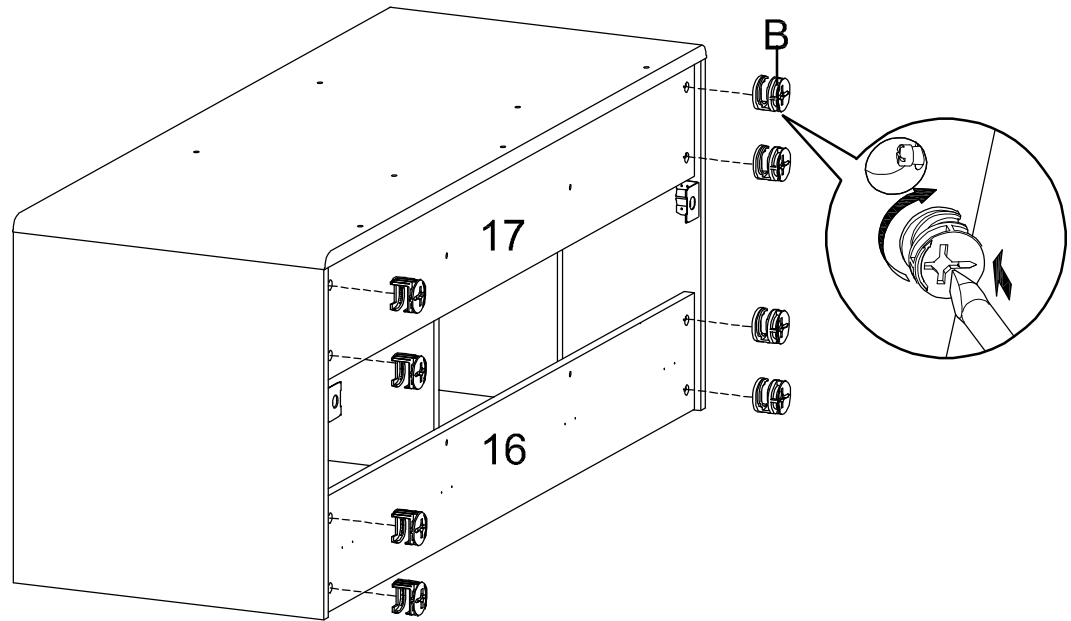
STEP 12:


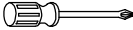


Hardware required.
Screwdriver not included

B x 4	S x 7	T	Y x 4	AD x 1

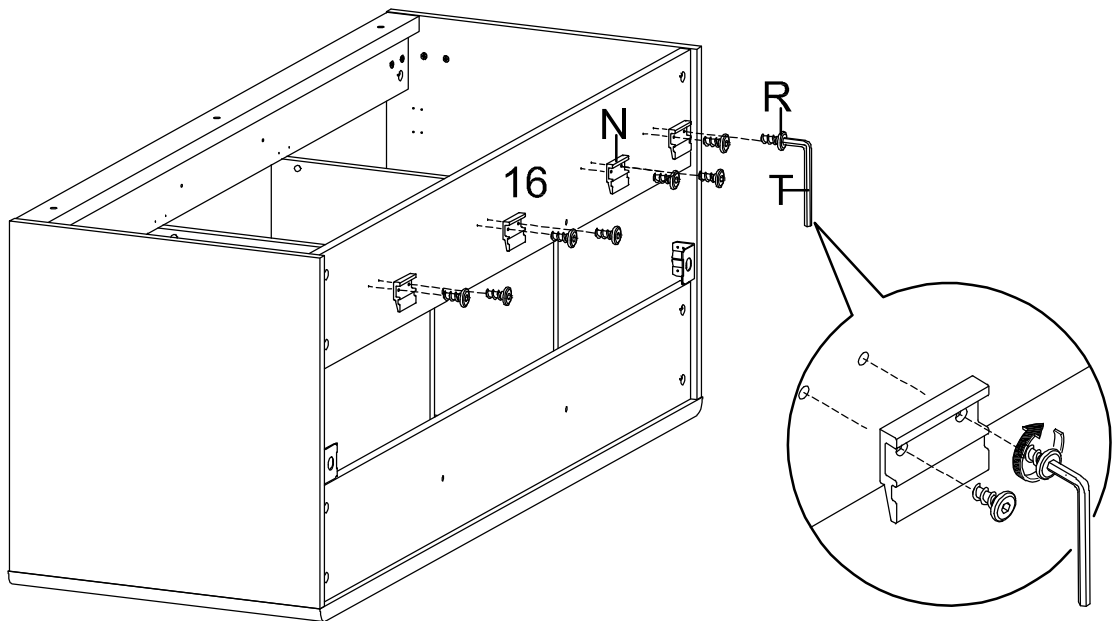
STEP 13:






	
B x 8	AD x 1

Hardware required.
Screwdriver not included

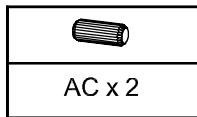
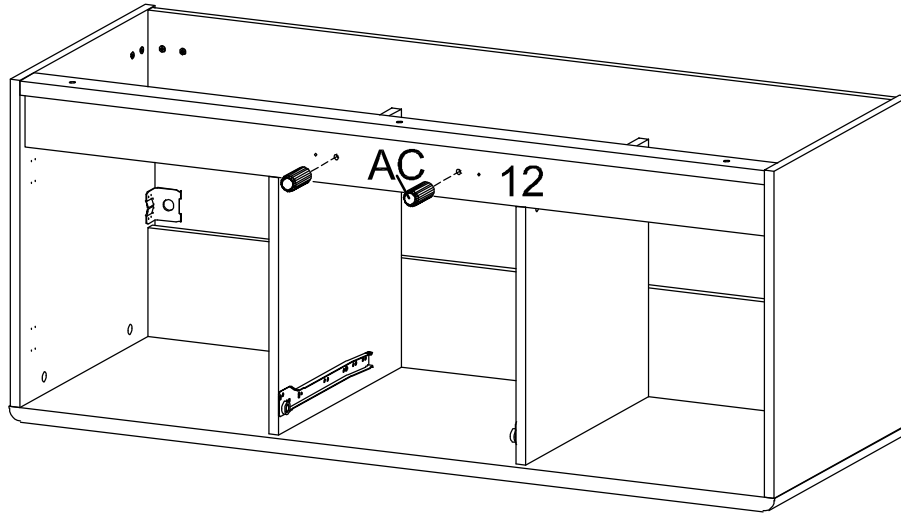
STEP 14:



		
N x 4	R x 8	T

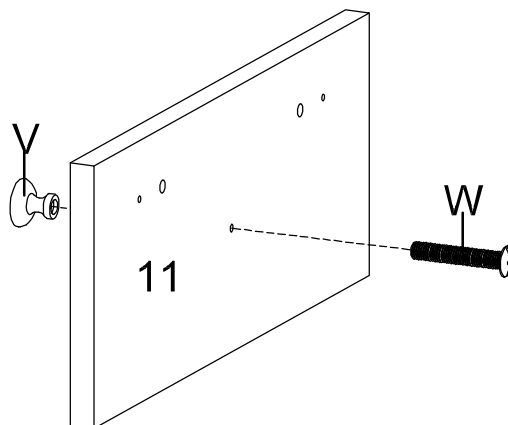
Screwdriver not included

STEP 15:



Hardware required.

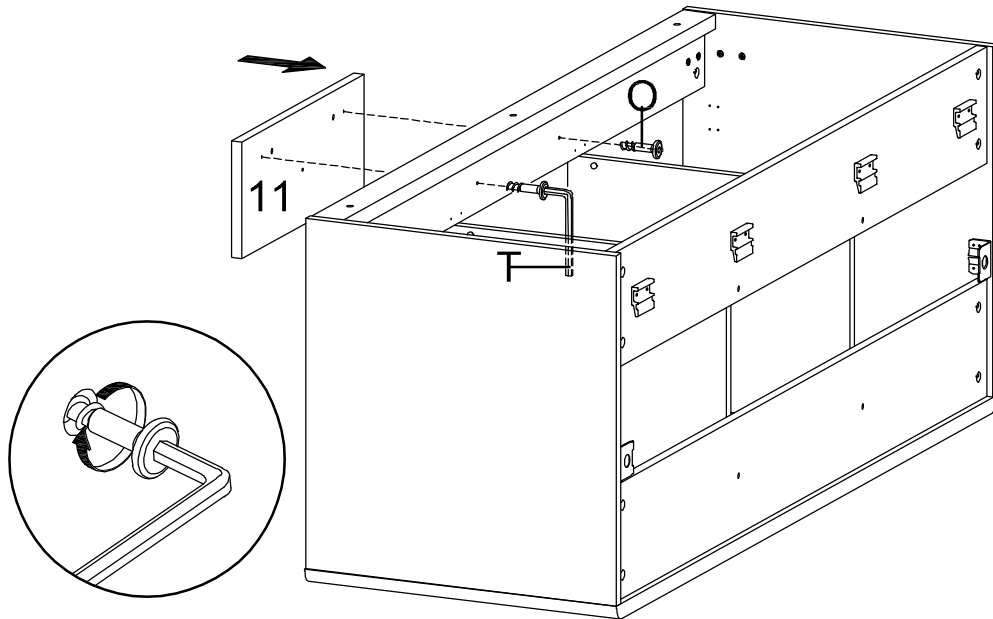
STEP 16:



V x 1	W x 1	AD x 1

Hardware required.
Screwdriver not included

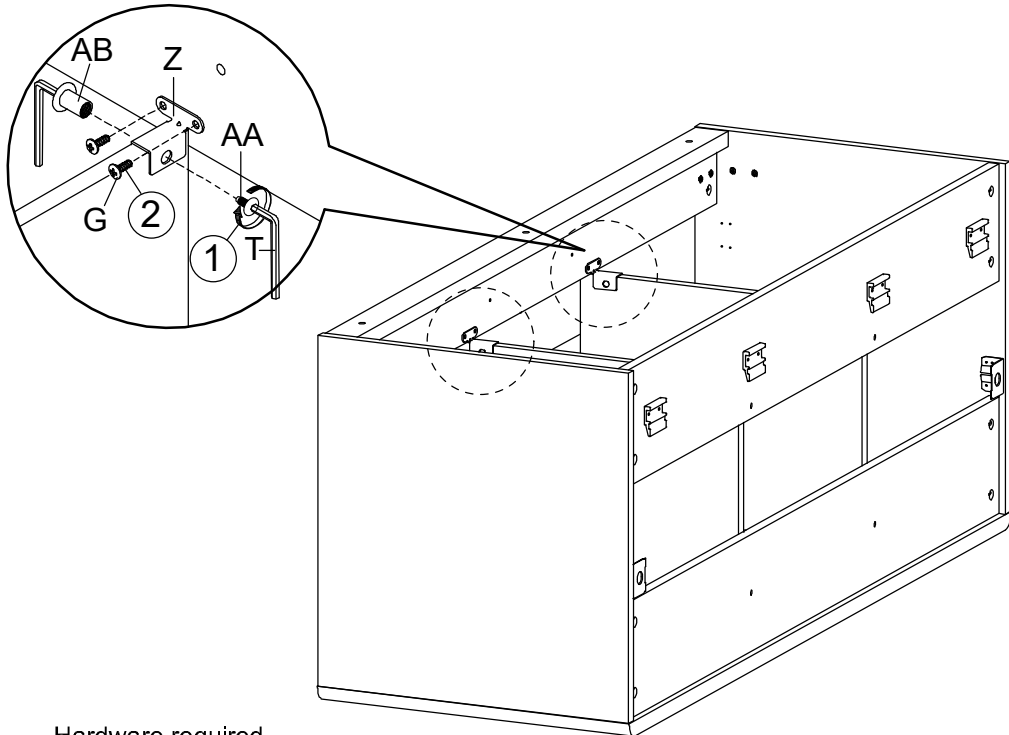
STEP 17:



O x 2	T

Hardware required.

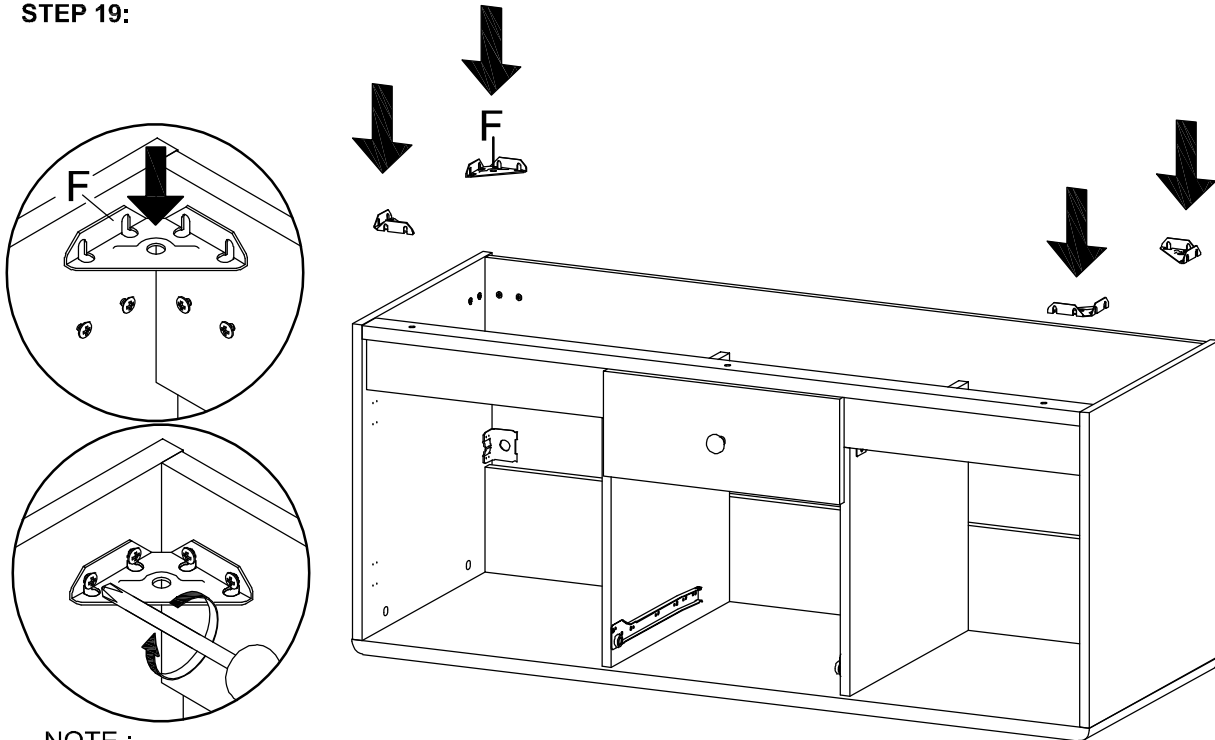
STEP 18:



Hardware required.
Screwdriver not included

G x 4	T x 2	Z x 2	AA x 2	AB x 2	AD x 1

STEP 19:

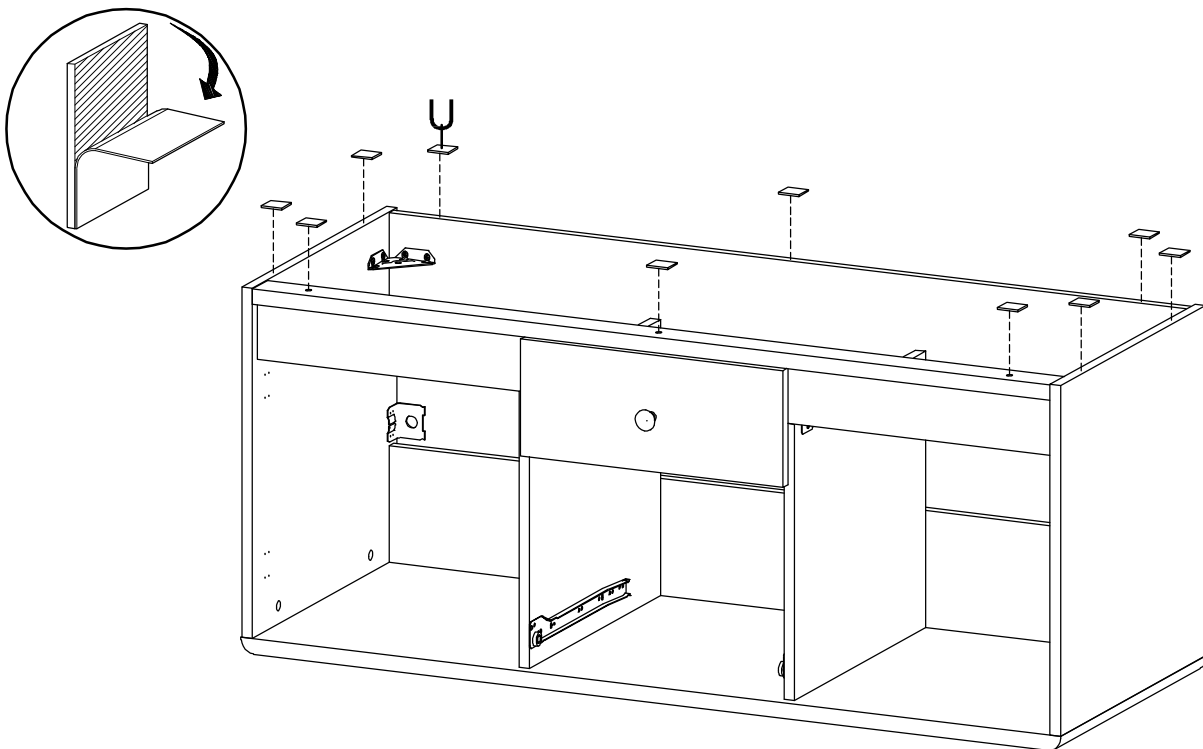


NOTE :
Tighten all the screw

F x 4	AD x 1

Hardware required.
Screwdriver not included

STEP 20:

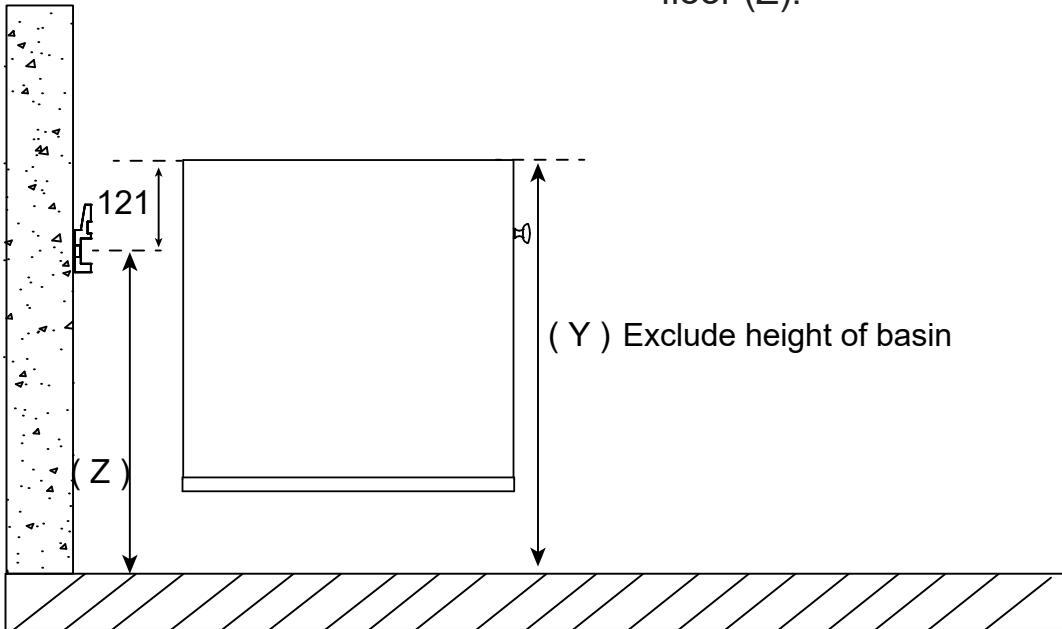


U x 10

Hardware required.

STEP 21:

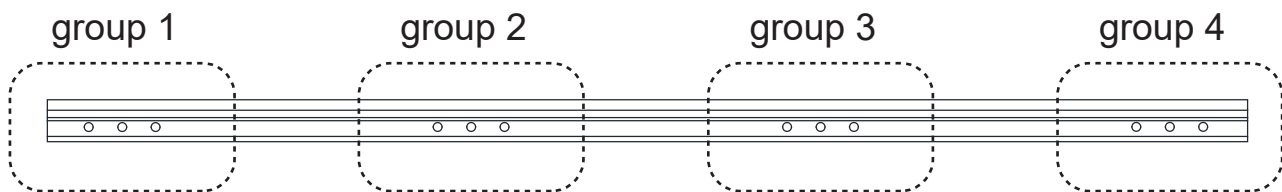
Determine your desired height (Y), then subtract by 121 mm. This is the drill holes height from the floor (Z).



STEP 22:

Please use minimum 2 holes on on group 1 & 4, and minimum 1 holes on group 2 & 3, to apply the wall plug and screw. Use additional holes when necessary.

* Long Bracket

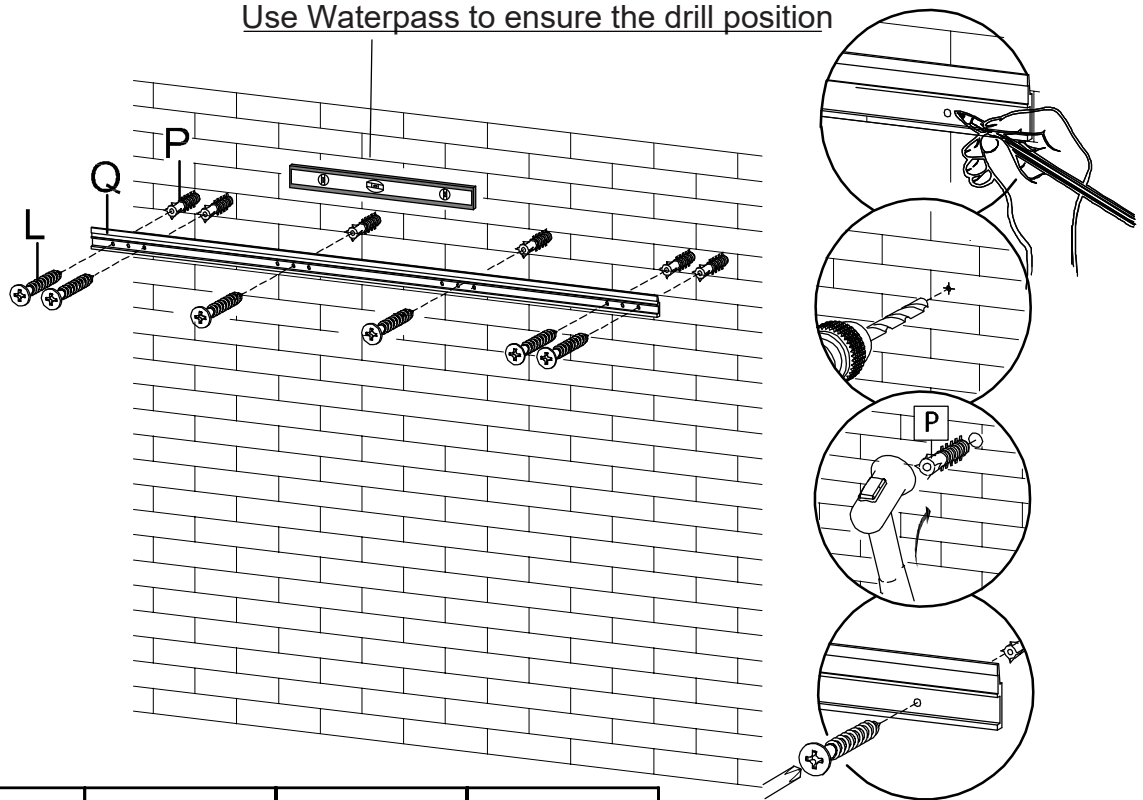


Different wall materials require unique wall fasteners. The wall plugs (P) and screws (L) are designed for fixing to concrete walls only. Please consult your local hardware store to ensure you are using the correct hardware for your wall type.

Q	L	P

STEP 23:

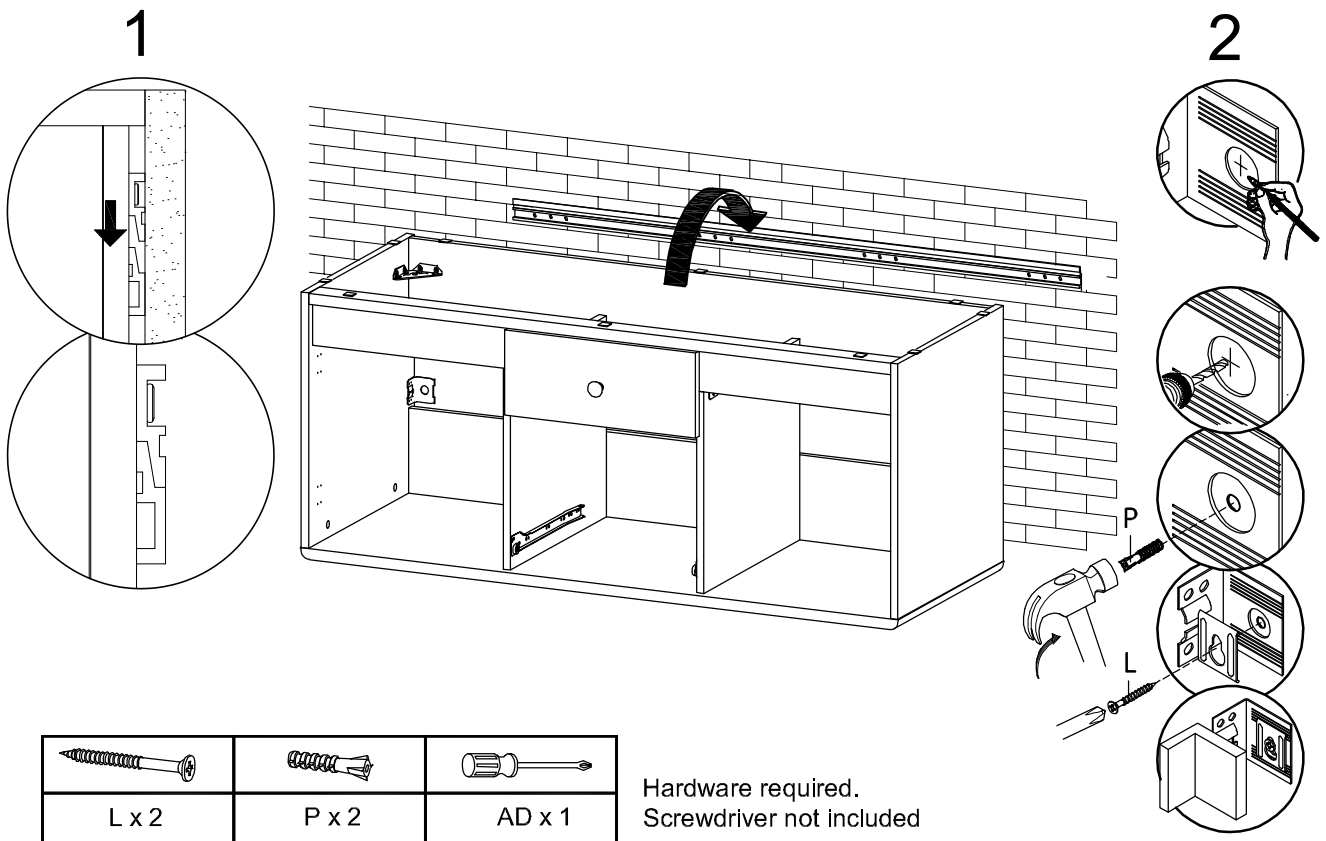
Use Waterpass to ensure the drill position



L x 6	P x 6	Q x 1	AD x 1

Hardware required.
Screwdriver not included

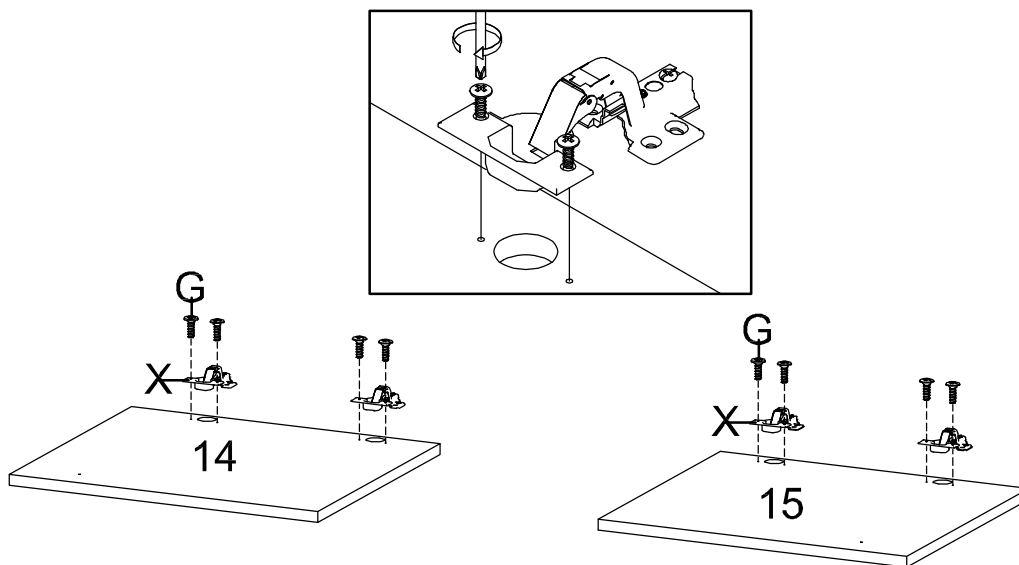
STEP 24:



L x 2	P x 2	AD x 1

Hardware required.
Screwdriver not included

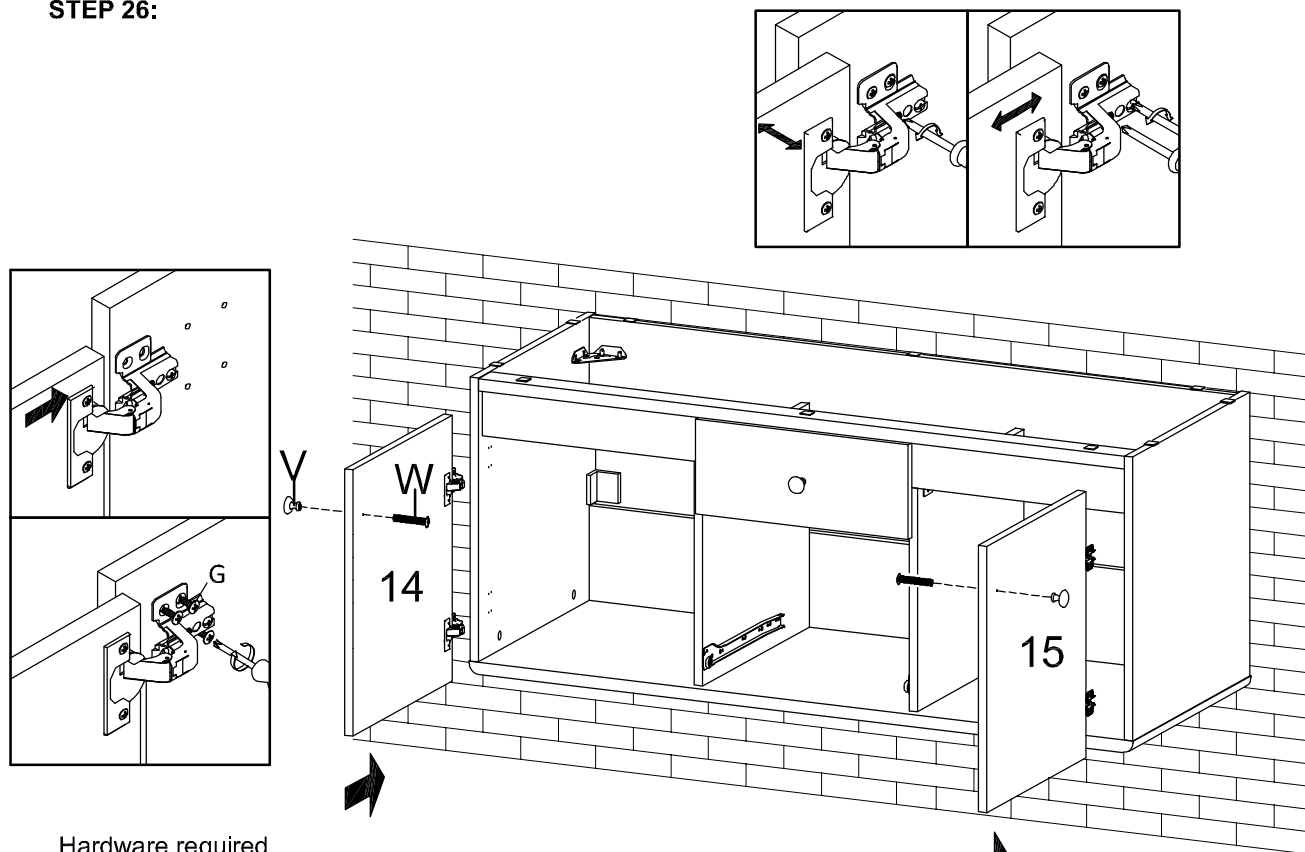
STEP 25



G x 8	X x 4	AD x 1

Hardware required.
Screwdriver not included

STEP 26:

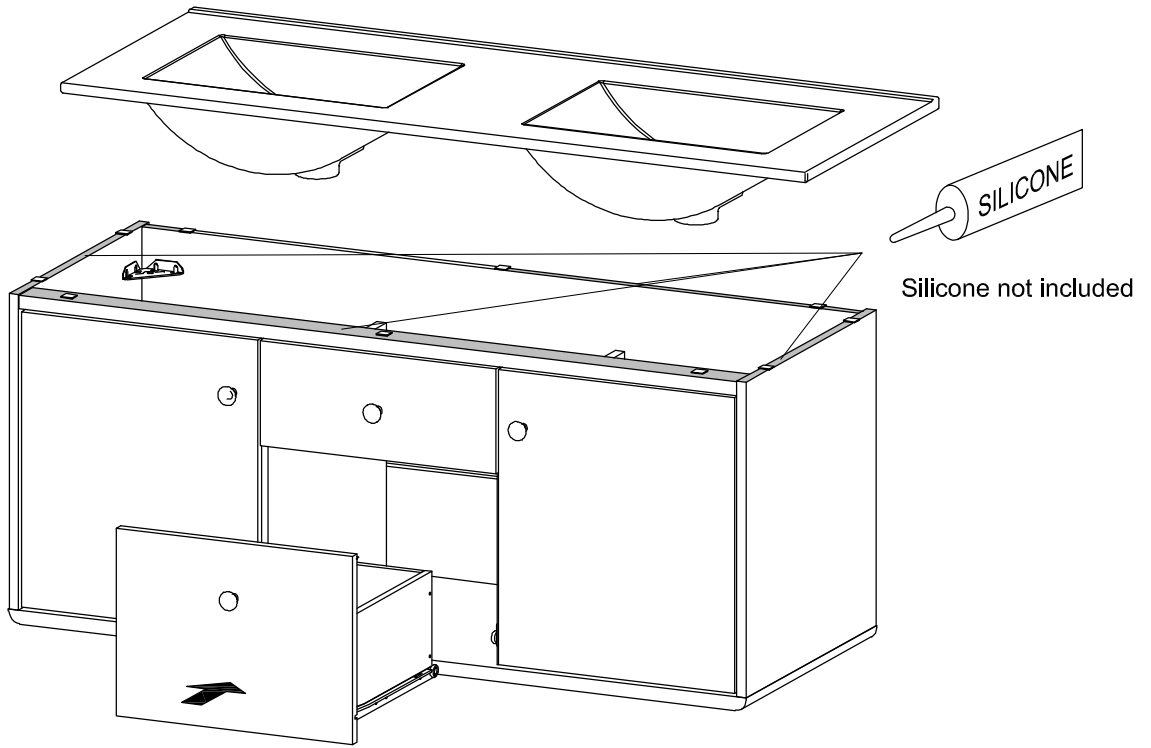


Hardware required.
Screwdriver not included

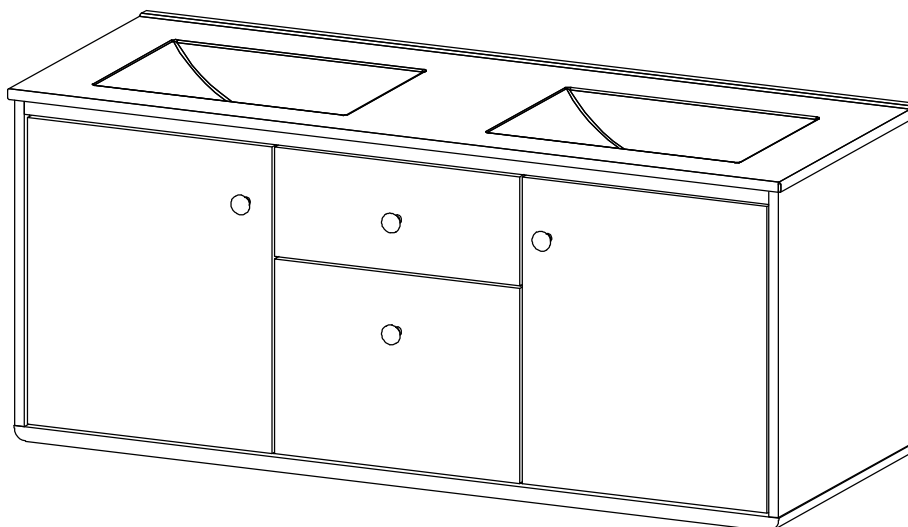
G x 16	Y x 2	W x 2	AD x 1

STEP 27

Apply a thin bead of silicone compound around the vanity base and set the vanity top carefully in place. Remove any excess silicone compound with a wet rag



STEP 28:



Assembly is complete. The Cabinet is ready to enjoy now !