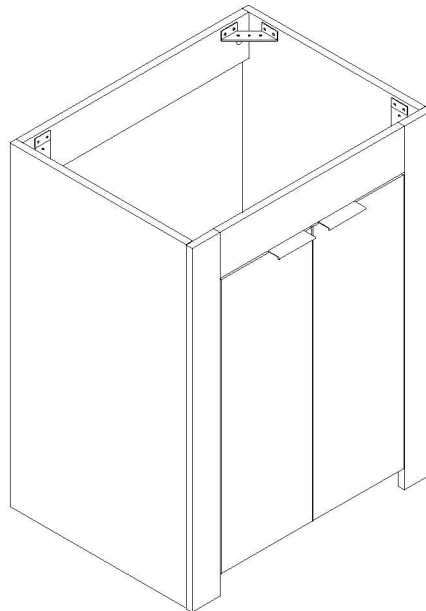


E EI-4591-GRN/NAV STANDING VANITY E EI-4591-GRY/WHI

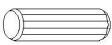
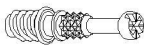




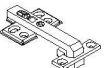
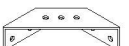



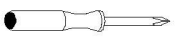


Thank you for purchasing the **MODWAY Vanity!**
Before you start, here are some helpful advice:

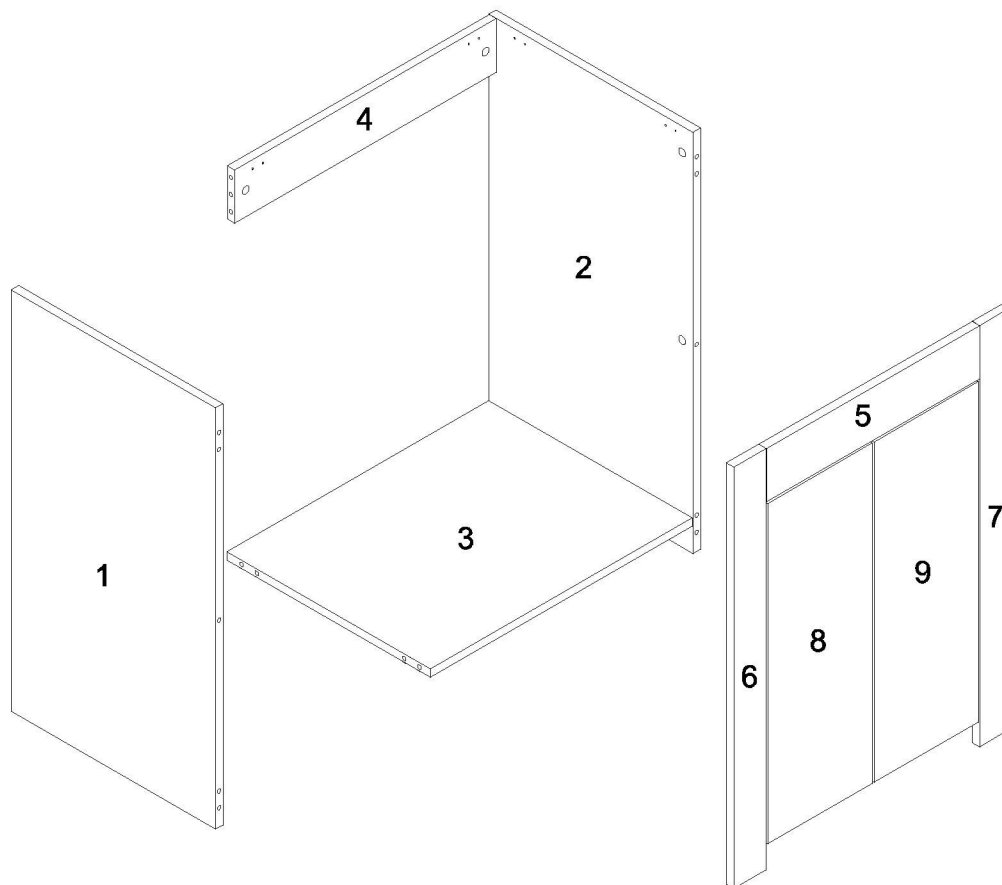
1. We suggest you spend a short time reading through this leaflet and then follow the simple step-by-step instructions.
2. Owing to the size and weight of the vanity, we recommend that it is assembled by two adults, on a carpeted or padded area, in the room that it is intended for. Approximate assembly time: 60 minutes.
3. Please do not use any tools other than those provide or recommended in these instructions.
4. Please do not throw away any of the packaging or instructions until you have checked all the components and hardware and the furniture is fully assembled.
5. Assemble all components loosely until advised to tighten. Depending on use, it may be necessary to tighten the components from time to time, so please save the tools that have been provided.
6. Please keep all pieces out of reach of children.



Hardware :

A) Dowel/Wood  M8 x 25 mm x 16	B) Cambolt/Metal  Ø6 x 24 mm x 14	C) Camlock/Metal  Ø15 mm x 14	D) Handle/Metal  90 mm x 2	E) Screw/Metal  M3.5 x 12 mm x 6
F) Screw/Metal  M4 x 14 mm x 40	G) Hinges/Metal  x 4	H) Bracket/Metal  28 x 100 mm x 4	I) Plate/Metal  30 x 24 mm x 1	J) Pad/Rubber  35 x 14 mm x 4
K)  x 1 Hammer (Not include)	L)  x 1 Screwdriver (Not include)			

Components:

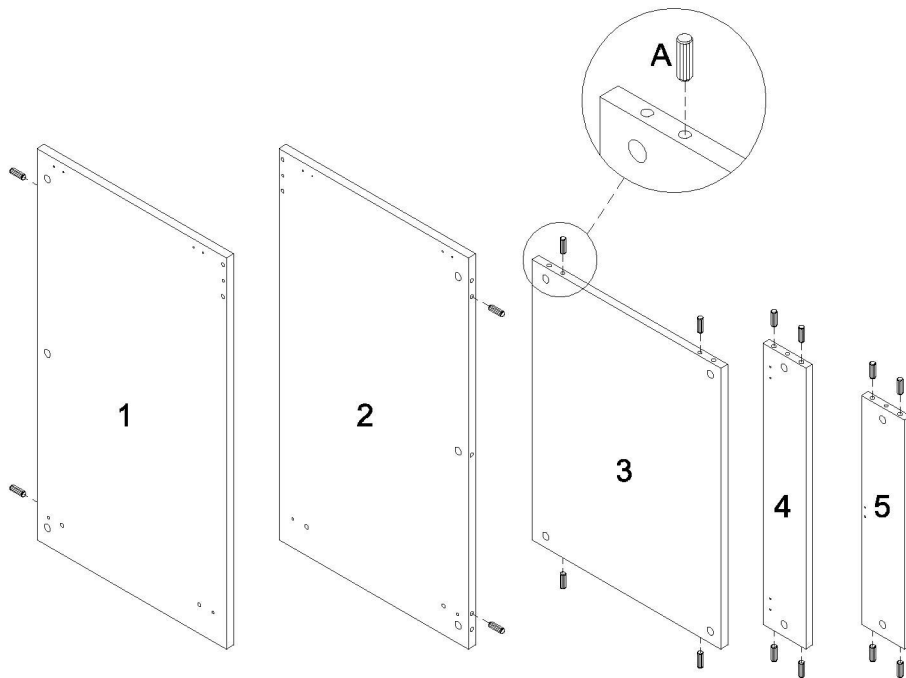


All parts/components are labeled with numbering as the part list below.

- | | | | | | | | |
|-------------------|----|--------------------|----|--------------------|----|--------------|----|
| ① Side Panel Left | x1 | ② Side Panel Right | x1 | ③ Bottom Panel | x1 | ④ Back Panel | x1 |
| ⑤ Front Panel | x1 | ⑥ Vertical Panel 1 | x1 | ⑦ Vertical Panel 2 | x1 | ⑧ Door Left | x1 |
| ⑨ Door Right | x1 | | | | | | |

STEP 1 :

Carefully insert the **Wood Dowels (A)** at the designated holes on the relevant parts.

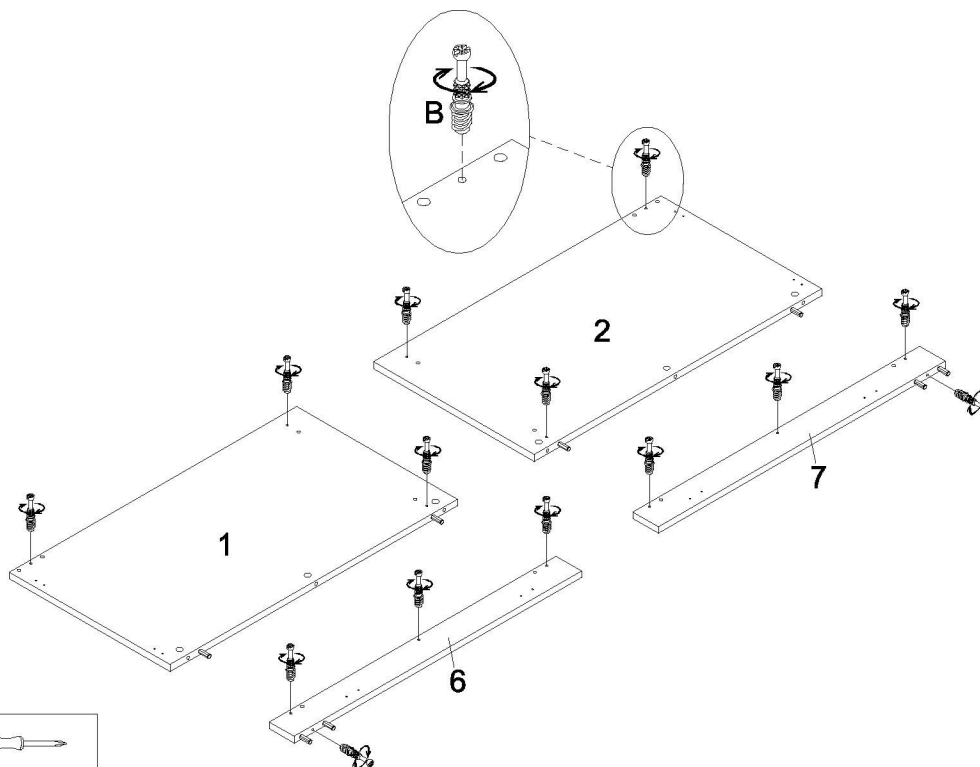


Ax16	Kx1

Hardware required. Hammer not included

STEP 2 : (Power tool not recommended)

Use Philips screwdriver to insert the **Cambolt (B)** carefully at the designated holes on the relevant parts.
 Please ensure the Cambolt is inserted and secured at the correct pre-drilled holes.

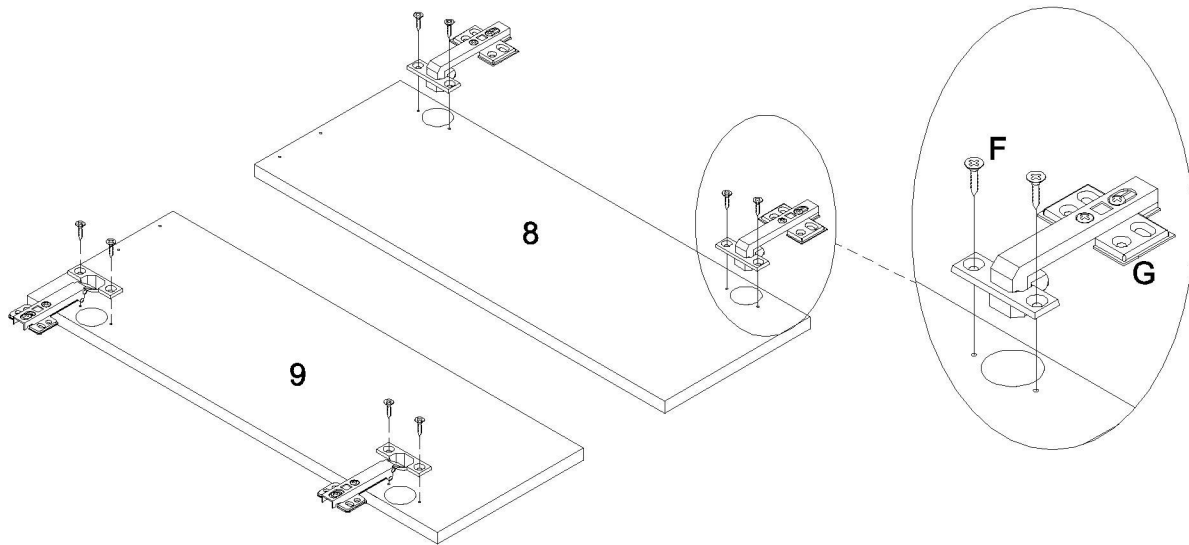





Bx14	Lx1

Hardware required. Screwdriver not included

STEP 3 :

Assemble 2 pieces of **Door Hinges (G)** to the '**Door Left (8)**' and '**Door Right (9)**' on each sides and secure it with 2 pieces of **Screws (F)** for each hinges.

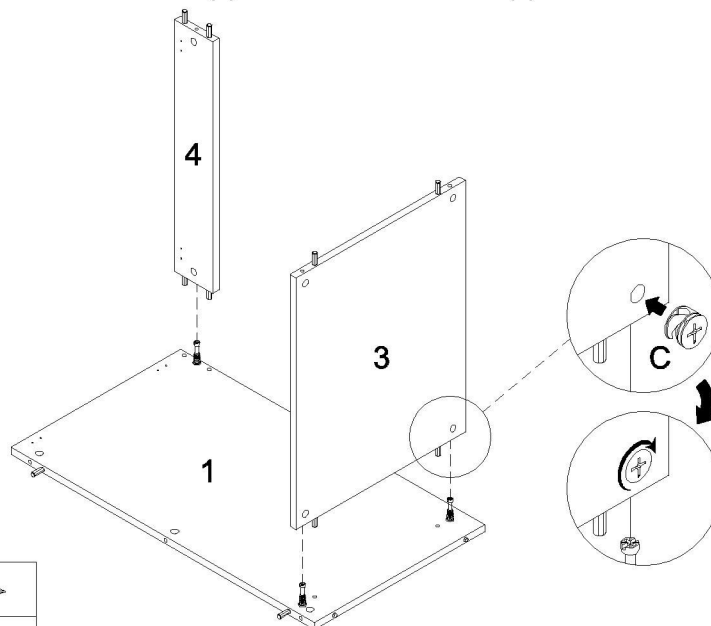



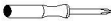
		
Fx8	Gx4	Lx1

Hardware required. Screwdriver not included

STEP 4 :

- 4.1- Lay flat the **Side Panel Left (1)** which already assembled with 2 pieces of **Wood Dowel (A)** and 3 pieces of **Cambolt (B)**.
- 4.2- Insert **Camlock (C)** from the pre-drilled hole of the **Bottom Panel (3)** then properly align the Wooden Dowel to the pre-drilled hole of the **Side Panel Left (1)**.
- 4.3- Once aligned and attached, make sure to secure **Camlock (C)** from the **Bottom Panel (3)** to the **Cambolt (B)** of the **Side Panel Left (1)**.
- 4.4- Repeat steps to secure the **Back Panel (4)** to the **Side Panel Left (1)** as shown.



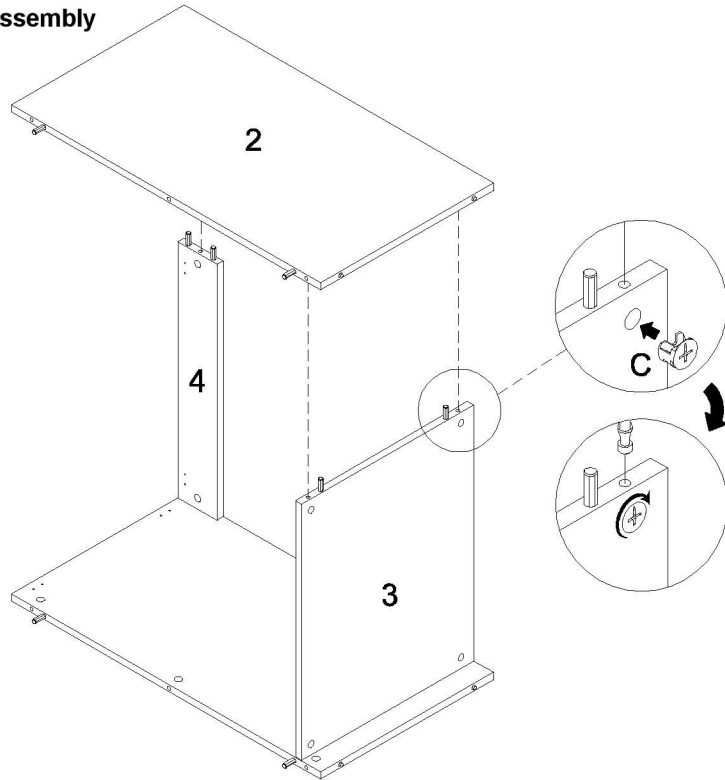
	
Cx3	Lx1



Hardware required. Screwdriver not included

STEP 5 :

Repeat step 4.2 - 4.3 to secure the Side Panel Right (2) to the Back Panel (4) and Bottom Panel (3).

This assembly namely **Carcass Assembly**



	
Cx3	Lx1

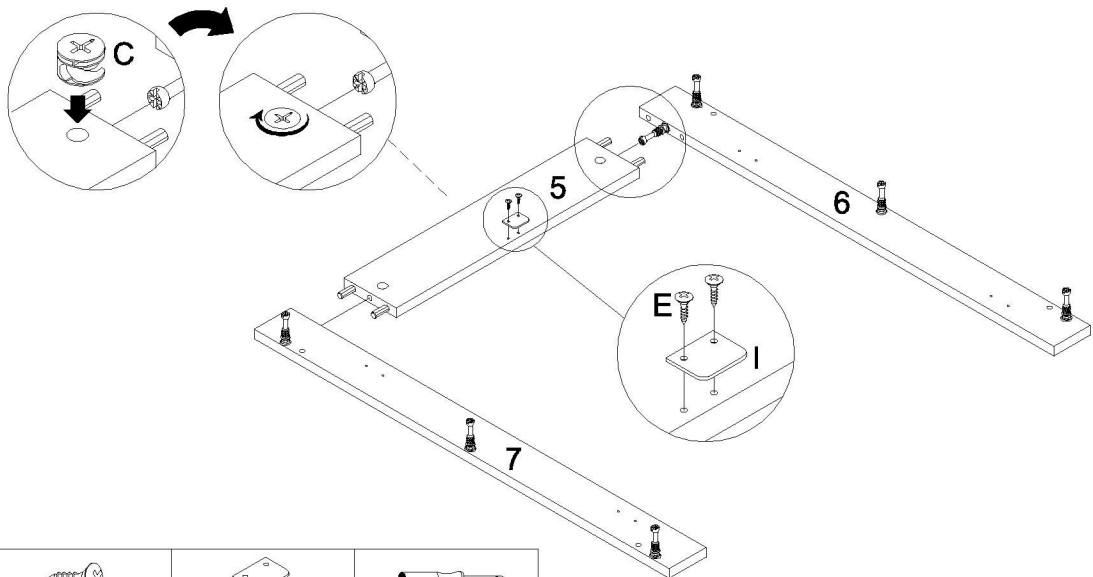
Hardware required. Screwdriver not included


STEP 6 :

Properly insert the **Camlock (C)** in the pre-drilled hole then align it to the assembled **Cambolt (B)** to secure **Front Panel (5)** to the **Vertical Panel 1 (6)** and **Vertical Panel 2 (7)**.

This assembly namely **Front Frame Assembly**

Secure the **Metal Plate (I)** to the **Front Panel (5)** with **Screw (E)**.

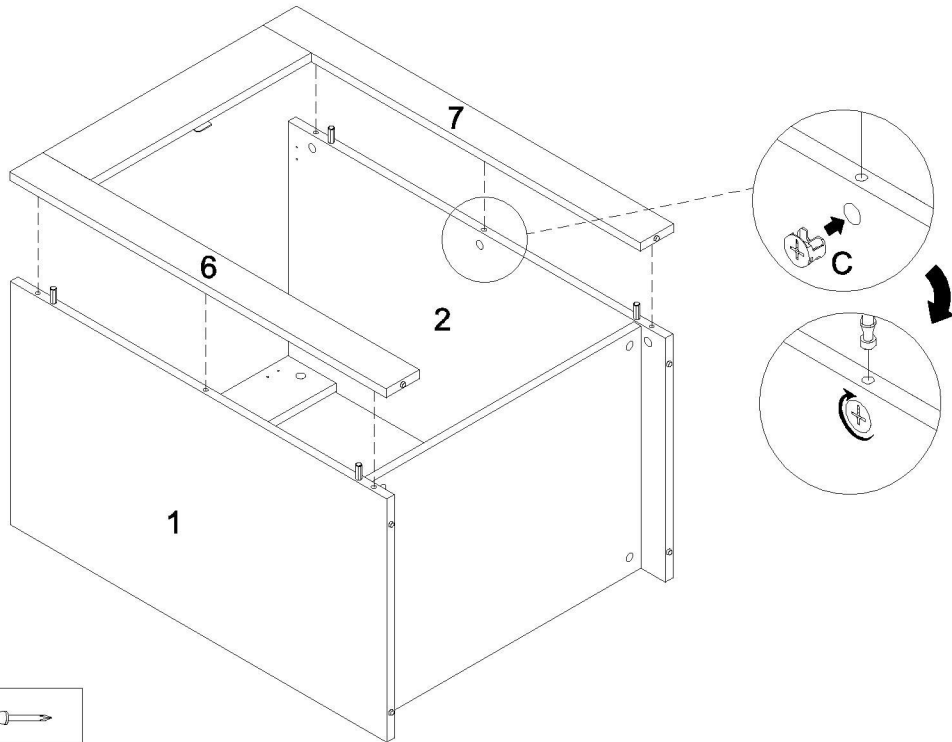




			
Cx2	Ex2	Ix1	Lx1

Hardware required. Screwdriver not included

STEP 7 :

Carefully align all 4 pieces of wooden dowel and **Cambolt (B)** to the pre-drilled holes at the **Front Frame Assembly** which completed on **Step 6** and secure it with the inserted **CamLock (C)**.



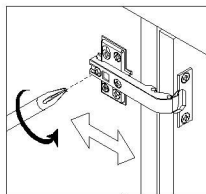
	
Cx6	Lx1

Hardware required. Screwdriver not included

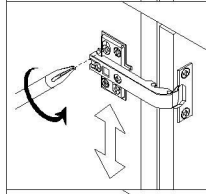
STEP 8 :

Hinges Adjustment Facilities

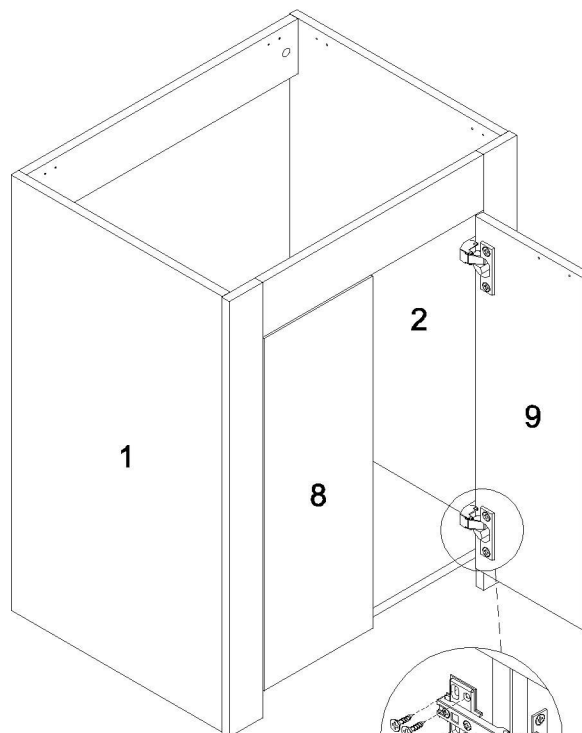
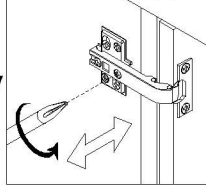
A. Lateral adjustment by screw adjusting.


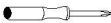


B. Vertical adjustment via slot in the mounting plate.



C. Front-to-Back by the slacking the hinges arm mounting screw.

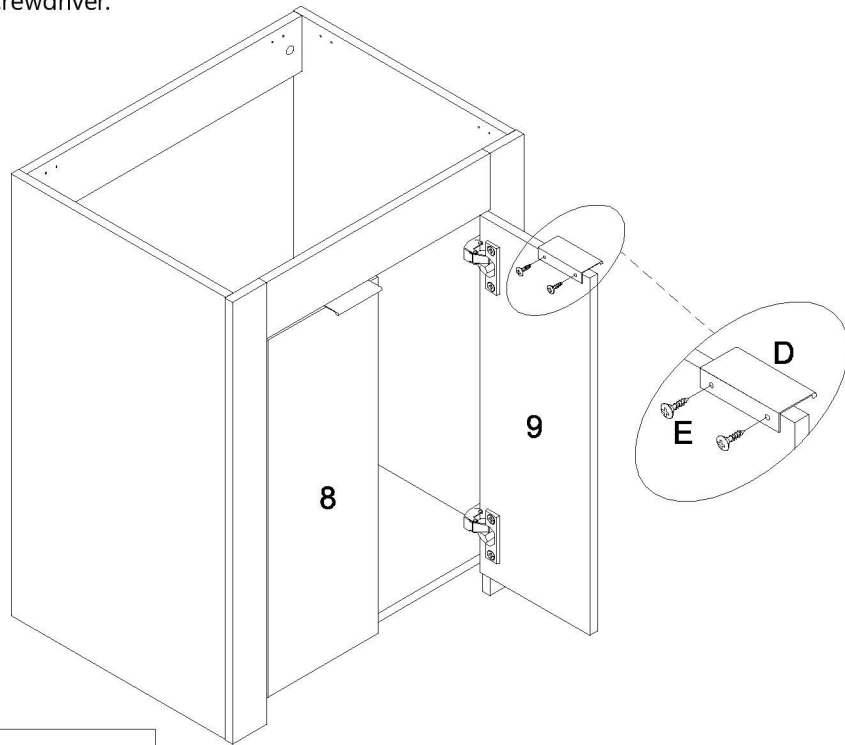





	
Fx16	Lx1

Hardware required. Screwdriver not included

STEP 9 :

Assemble **Door Handles (D)** on each '**Door Left (8)**' and '**Door Right (9)**' and secure it with a **Screw (E)** by using screwdriver.

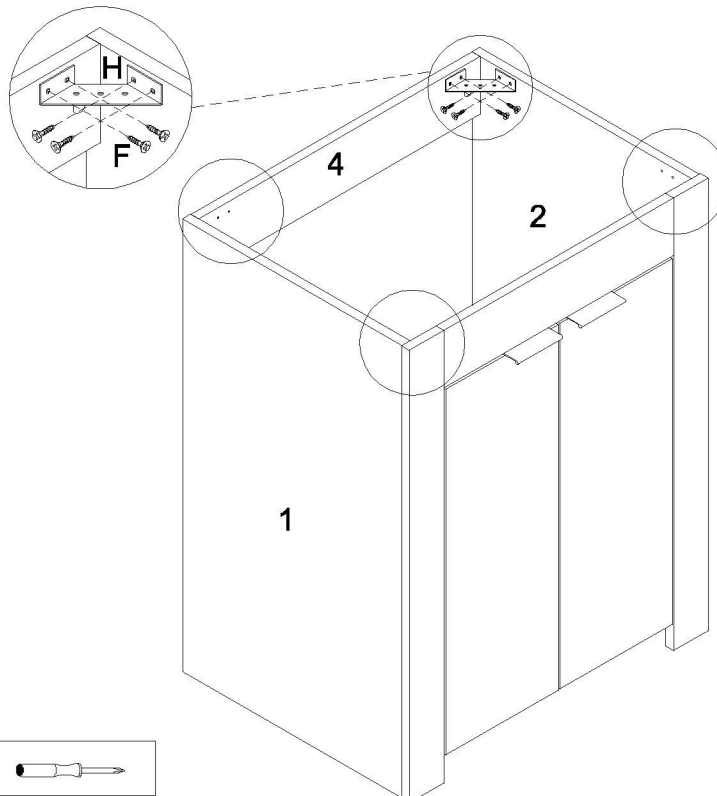




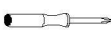
		
Dx2	Ex4	Lx1

Hardware required. Screwdriver not included

STEP 10 :

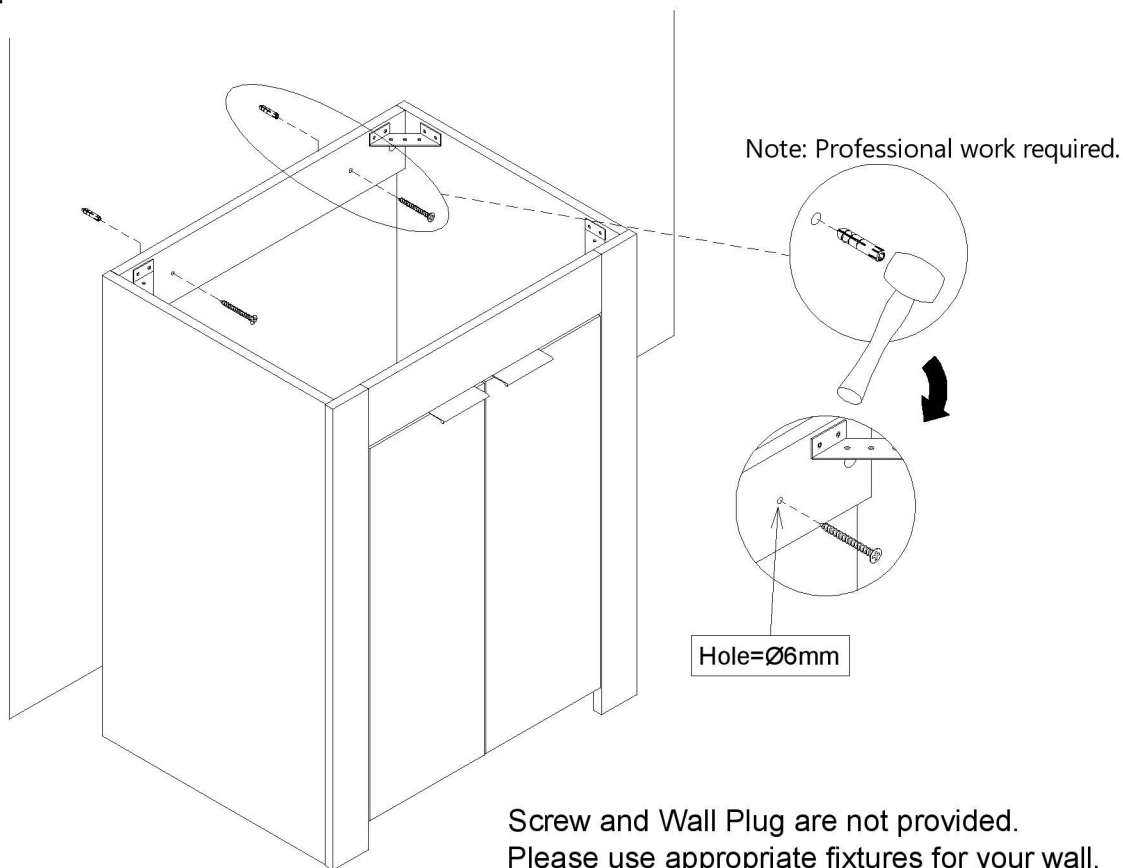
Use Screwdriver to secure the **Metal Bracket (H)** on each corner of the top portion of the Vanity Cabinet with 4 pieces of **Screw (F)**.



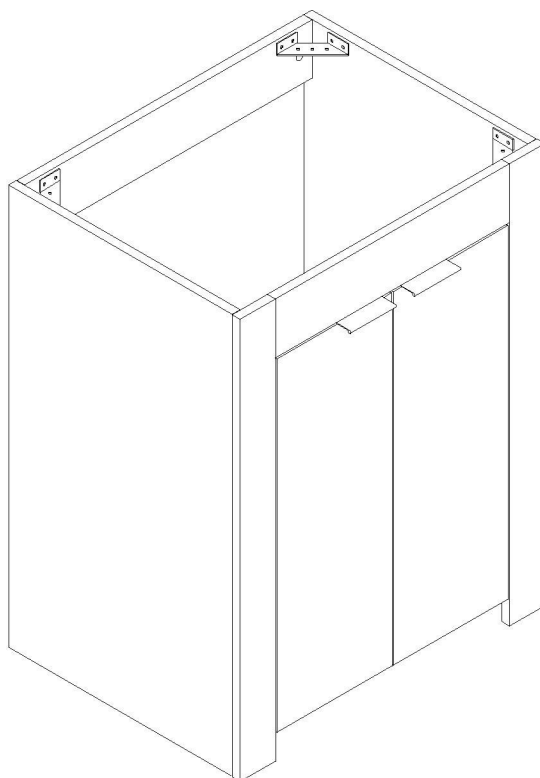
		
Fx16	Hx4	Lx1

Hardware required. Screwdriver not included

STEP 11 :



STEP 12 :



Assembly is complete.

STEP 13 :

Apply a thin bead of silicone compound around the vanity base and set the vanity top carefully in place.
Remove any excess silicone compound with a wet rag.

Put Rubber Pad on top 4 pieces.

