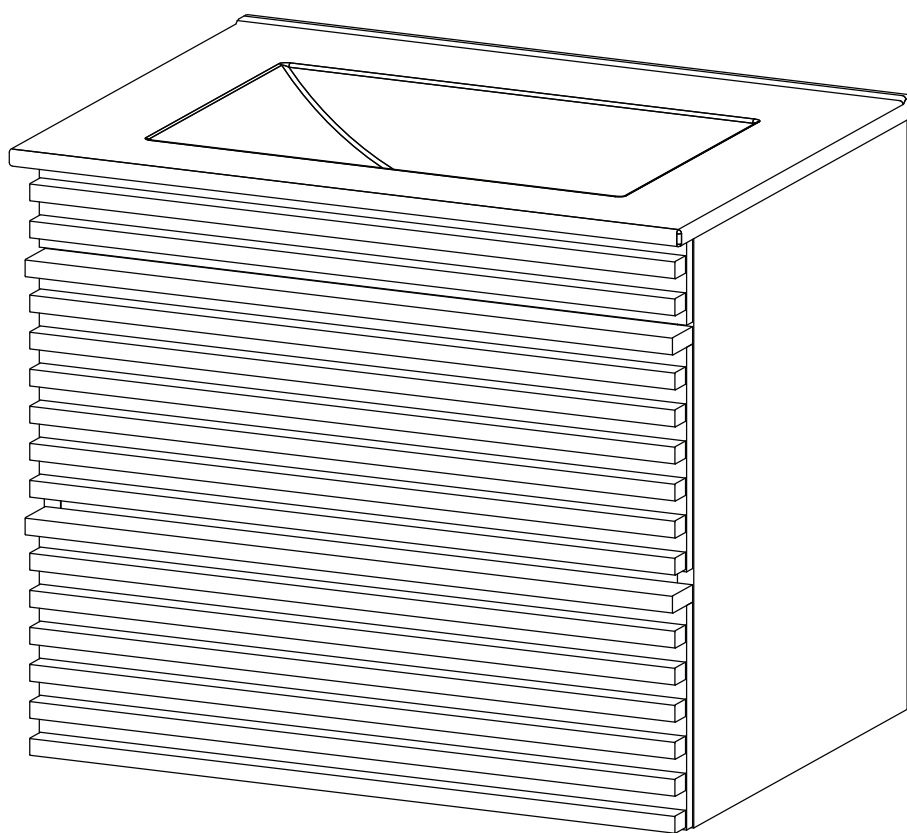


ASSEMBLY INSTRUCTIONS

EEI-4338

V0.09.28.21



Questions? Contact us!

609.256.9000 • cs@modway.com
www.modway.com

*modway

Let's get started!

*modway



Read through all of the instructions before starting



Care instructions are listed in the last step of this manual



Approx. 70 minutes assembly time



Make sure you have all parts and components before discarding any packing materials



2 people recommended for assembly

Only use hand tools to assemble this item. Do not use power tools. Do not tighten bolts or screws completely until all hardware is lined up and inserted into the holes.

Do not over-tighten screws and bolts to avoid stripping the hardware or cracking the item.

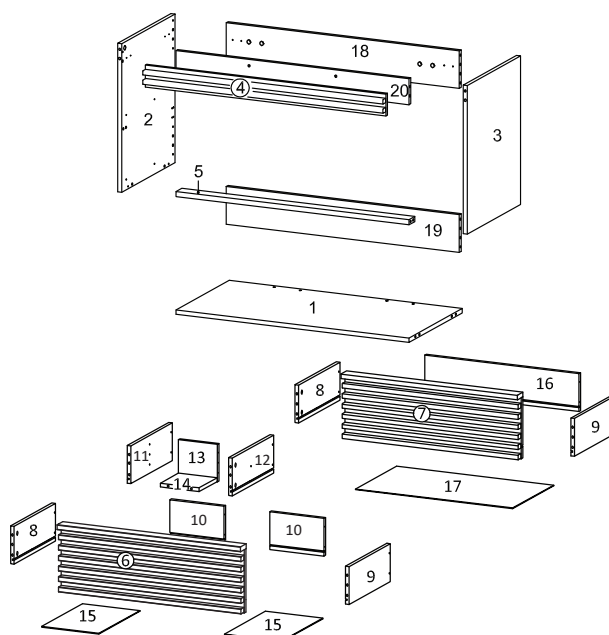
For vanity and plumbing installation, we suggest hiring a professional contractor and plumber.

Assemble your item on a flat, carpeted area, with plenty of space to work. This will prevent damage and scratches to your floors or the item while you're assembling the product.

Keep all components and packaging out of reach of children or animals to avoid risk of choking or suffocation.

Furniture components:

1	Bottom Board	x1	11	Side Drawer Left 2	x1
2	Side Board Left	x1	12	Side Drawer Right 2	x1
3	Side Board Right	x1	13	Support Drawer 1	x1
4	Front Skirt 1	x1	14	Support Drawer 2	x1
5	Front Skirt 2	x1	15	Bottom Drawer 1	x2
6	Front Drawer 1	x1	16	Back Drawer 2	x1
7	Front Drawer 2	x1	17	Bottom Drawer 2	x1
8	Side Drawer Left 1	x2	18	Back Skirt 1	x1
9	Side Drawer Right 1	x2	19	Back Skirt 2	x1
10	Back Drawer 1	x2	20	Front Skirt 3	x1



Provided hardware:

A		Cam Bolt $\varnothing 6 \times 35$ mm	x14	K		Screw M 8 x 39 mm	x14	RM30A		Drawer Runner	x2
B		Cam Lock $\varnothing 15$ mm	x16	L		Screw 5.5 x 45 mm	x9	PA55		Long Bracket	x1
C		Cam Lock $\varnothing 12$ mm	x12	M		Hanger + Plastic Cover	x2	PA05		Short Bracket	x2
D		Wood Dowel $\varnothing 8 \times 30$ mm	x22	N		Screw M 7 x 50 mm	x2	What you need:			
E		Wood Dowel $\varnothing 6 \times 30$ mm	x14	O		Screw M 6.4 x 25 mm	x2		Phillips Head Screwdriver		
F		JCN Nut	x4	P		Wall Plug	x9				
G		Screw M 4.5 x 12.5 mm	x24	Q		Cam Bolt $\varnothing 6 \times 32$ mm	x14				
H		Foam/Rubber Pad	x8	R		Allen Key	x2				
I		Screw M 6 x 10.5 mm	x8	S		Screw M 6 x 15 mm	x4				
J		Screw M 3.5 x 13 mm	x12	BC67		Bracket	x4				

Wait!

Missing parts or hardware? Need assistance?
Contact us before returning your item. We're here to help!
609.256.9000 • cs@modway.com

You may also need:

- + Power Drill
- + Level
- + Silicone Adhesive or Caulk
- + Drywall Anchors and Screws
- + Other Wall-Mounting Hardware

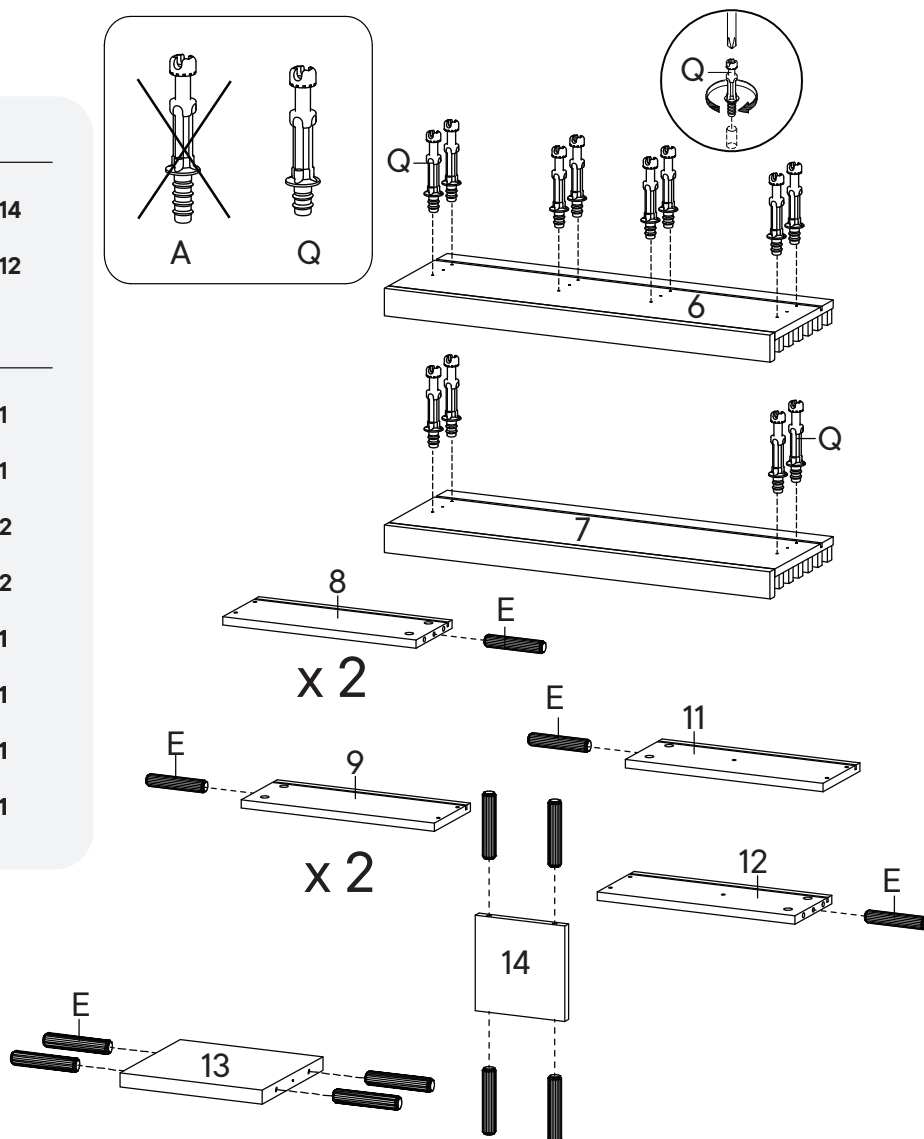
Step 1

HARDWARE

- E** Wood Dowel $\varnothing 6 \times 30$ mm x14
- Q** Cam Bolt $\varnothing 6 \times 32$ mm x12

COMPONENTS

- 6** Front Drawer 1 x1
- 7** Front Drawer 2 x1
- 8** Side Drawer Left 1 x2
- 9** Side Drawer Right 1 x2
- 11** Side Drawer Left 2 x1
- 12** Side Drawer Right 2 x1
- 13** Support Drawer 1 x1
- 14** Support Drawer 2 x1



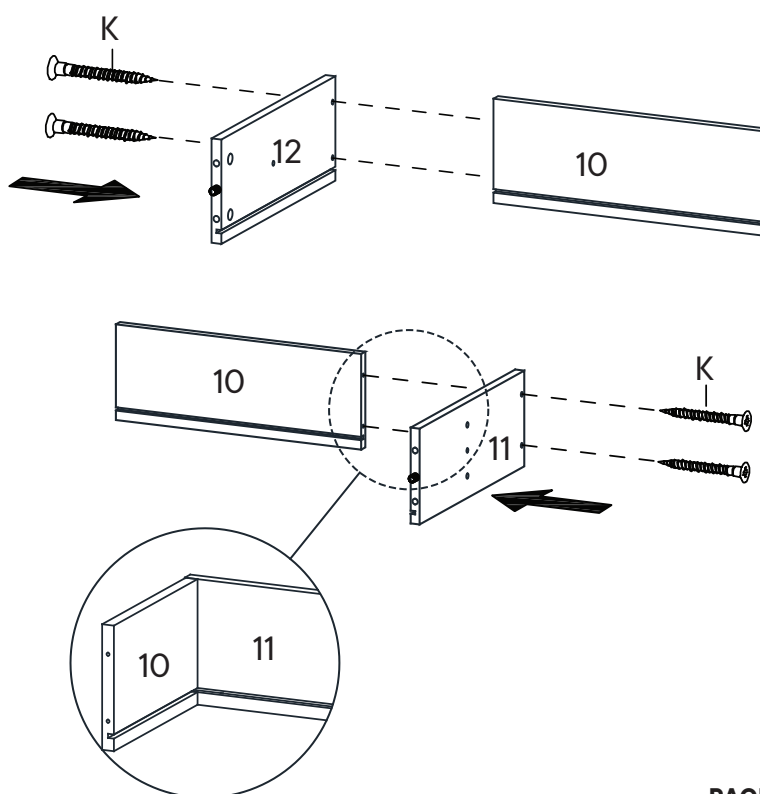
Step 2

HARDWARE

- K** Screw M 8 x 39 mm x4

COMPONENTS

- 10** Back Drawer 1 x2
- 11** Side Drawer Left 2 x1
- 12** Side Drawer Right 2 x1



Step 3

HARDWARE

K Screw M 8 x 39 mm x2

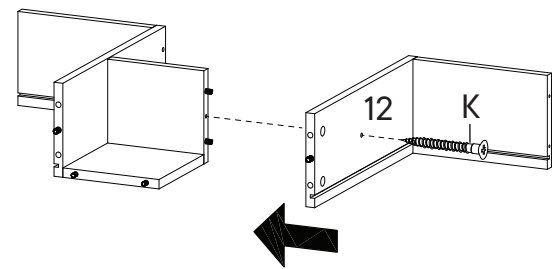
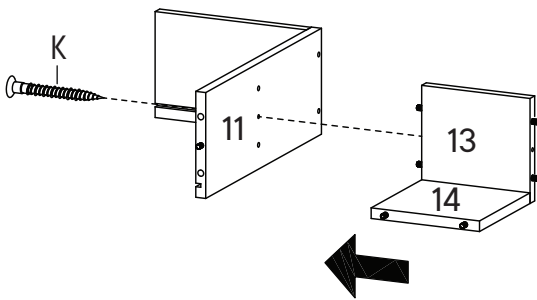
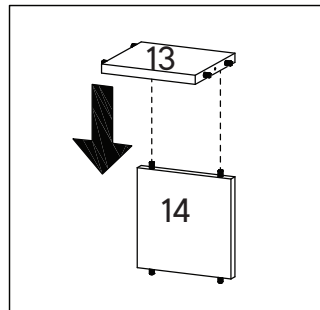
COMPONENTS

11 Side Drawer Left 2 x1

12 Side Drawer Right 2 x1

13 Support Drawer 1 x1

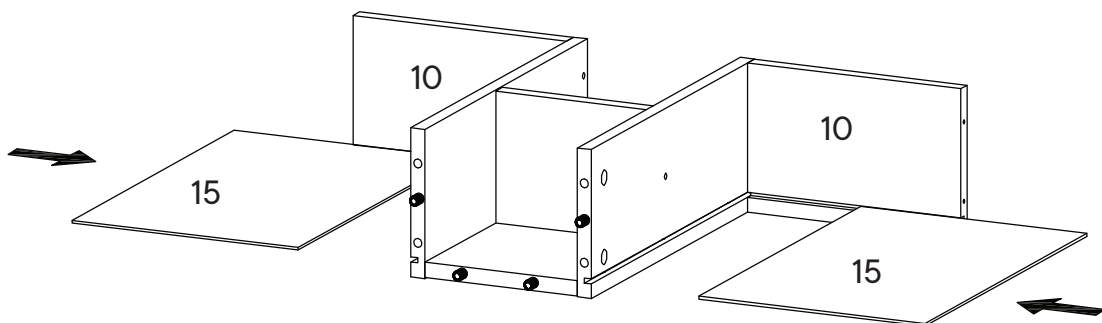
14 Support Drawer 2 x1



Step 4

COMPONENTS

15 Bottom Drawer 1 x2



Step 5

HARDWARE

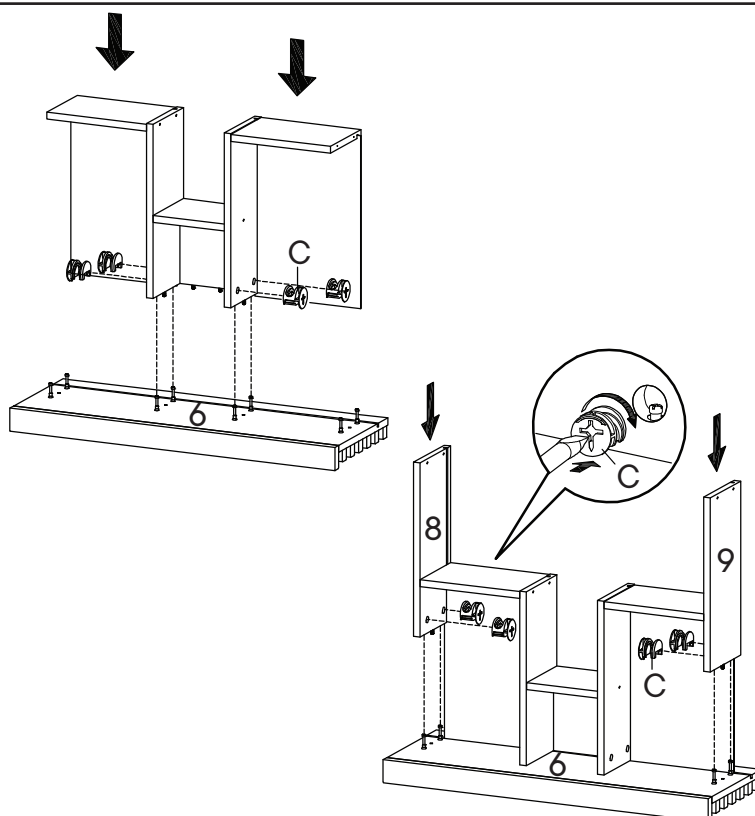
C Cam Lock Ø12 mm x8

COMPONENTS

6 Front Drawer 1 x1

8 Side Drawer Left 1 x1

9 Side Drawer Right 1 x1



Step 6

HARDWARE

C Cam Lock Ø12 mm x4

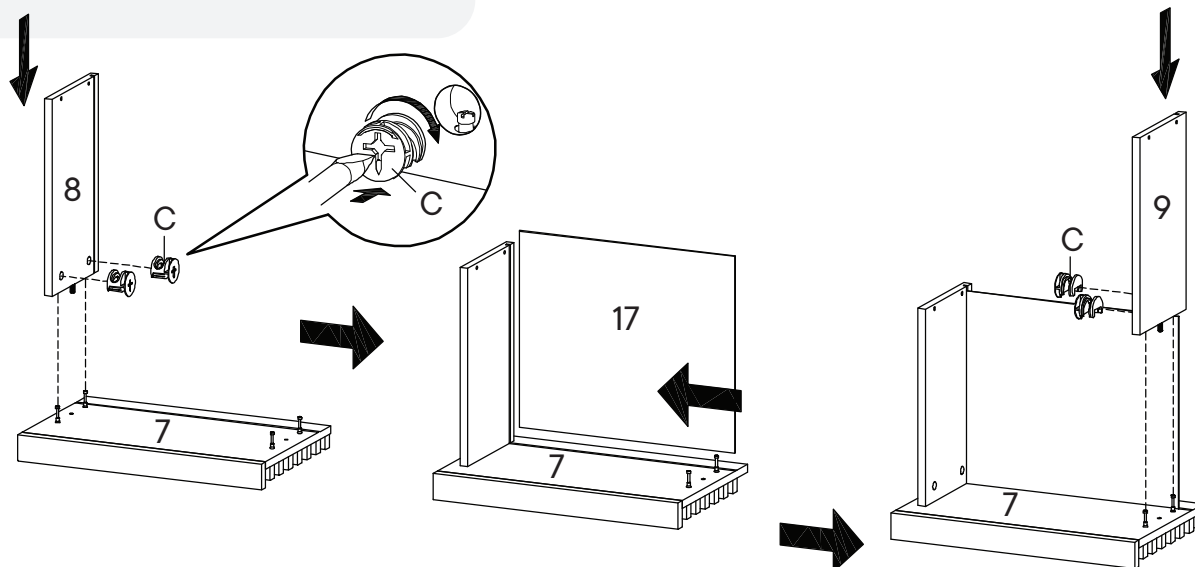
COMPONENTS

7 Front Drawer 2 x1

8 Side Drawer Left 1 x1

9 Side Drawer Right 1 x1

17 Bottom Drawer 2 x1



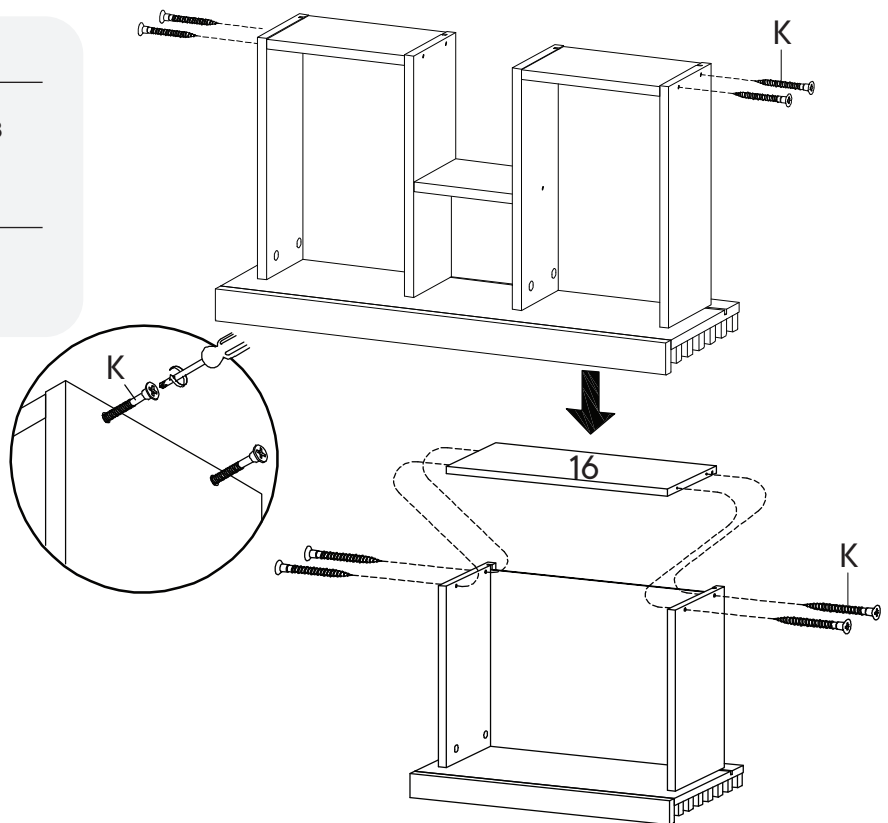
Step 7

HARDWARE

K Screw M 8 x 39 mm x8

COMPONENTS

16 Back Drawer 2 x1

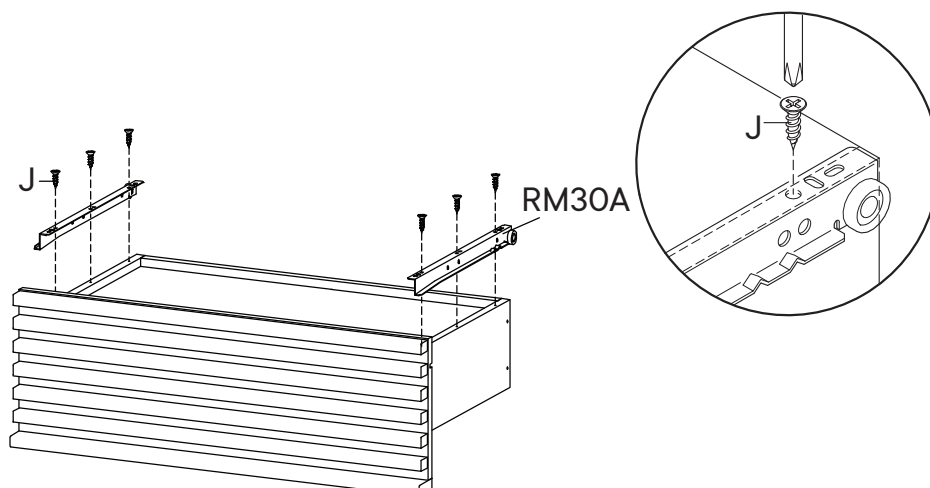
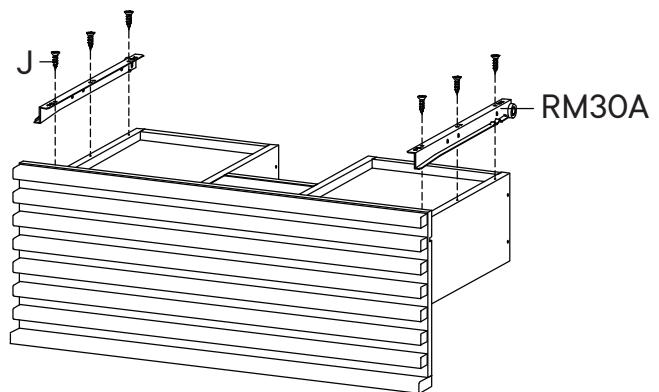


Step 8

HARDWARE

J Screw M 3.5 x 13 mm x12

RM30A Drawer Runner x2



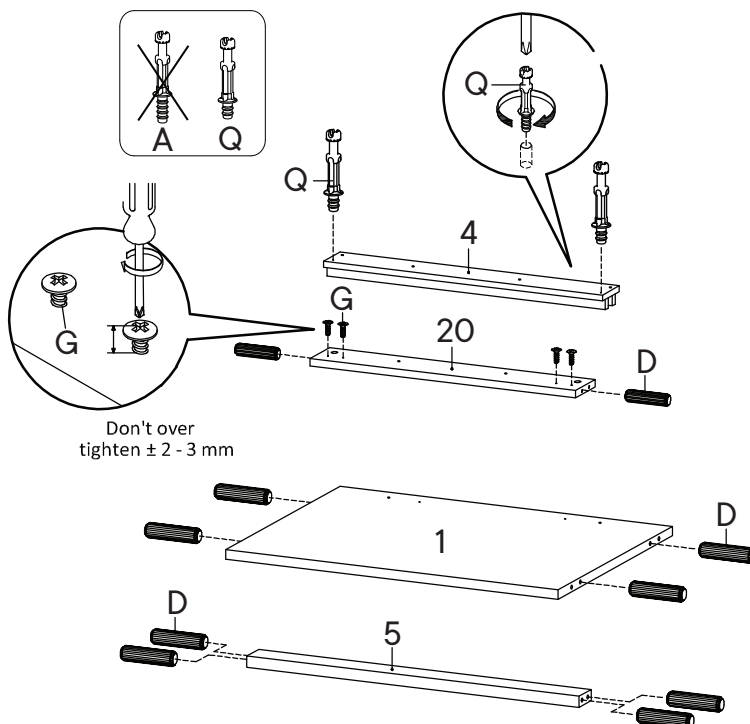
Step 9

HARDWARE

- D** Wood Dowel Ø8 x 30 mm x10
- G** Screw M 4.5 x 12.5 mm x4
- Q** Cam Bolt Ø6 x 32 mm x2

COMPONENTS

- 1** Bottom Board x1
- 4** Front Skirt 1 x1
- 5** Front Skirt 2 x1
- 20** Front Skirt 3 x1



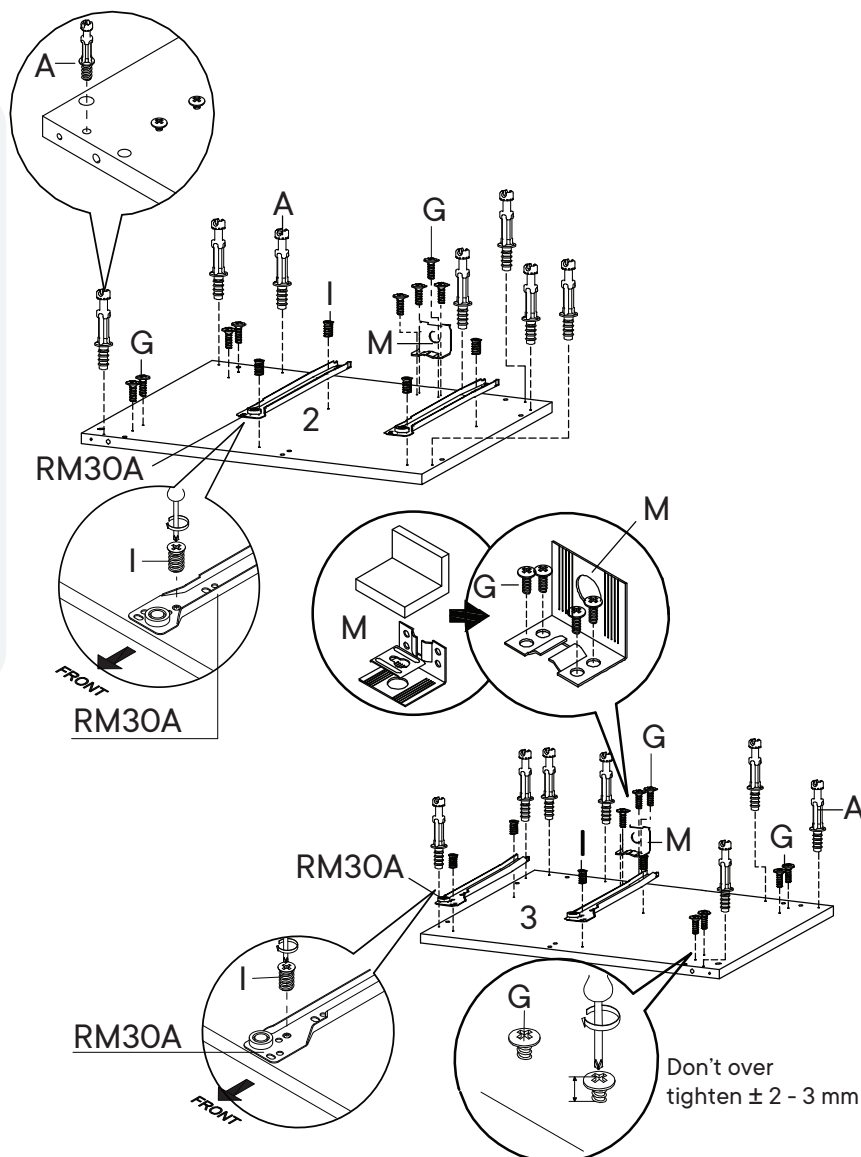
Step 10

HARDWARE

- A** Cam Bolt Ø6 x 35 mm x14
- G** Screw M 4.5 x 12.5 mm x16
- I** Screw M 6 x 10.5 mm x8
- M** Hanger + Plastic Cover x2
- RM30A** Drawer Runner x2

COMPONENTS

- 2** Side Board Left x1
- 3** Side Board Right x1



Step 11

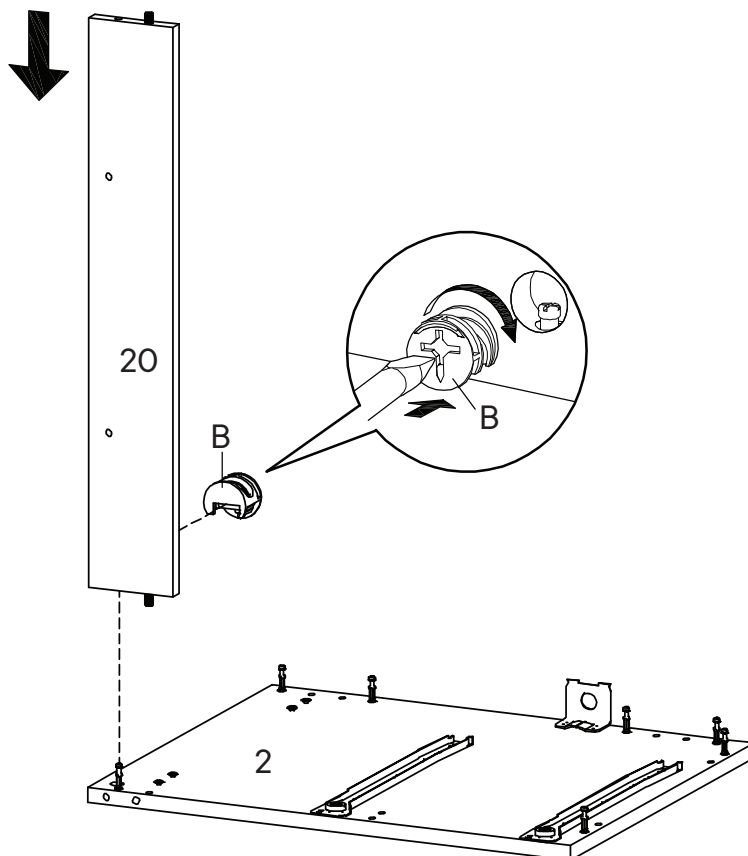
HARDWARE

B Cam Lock Ø15 mm x1

COMPONENTS

2 Side Board Left x1

20 Front Skirt 3 x1



Step 12

HARDWARE

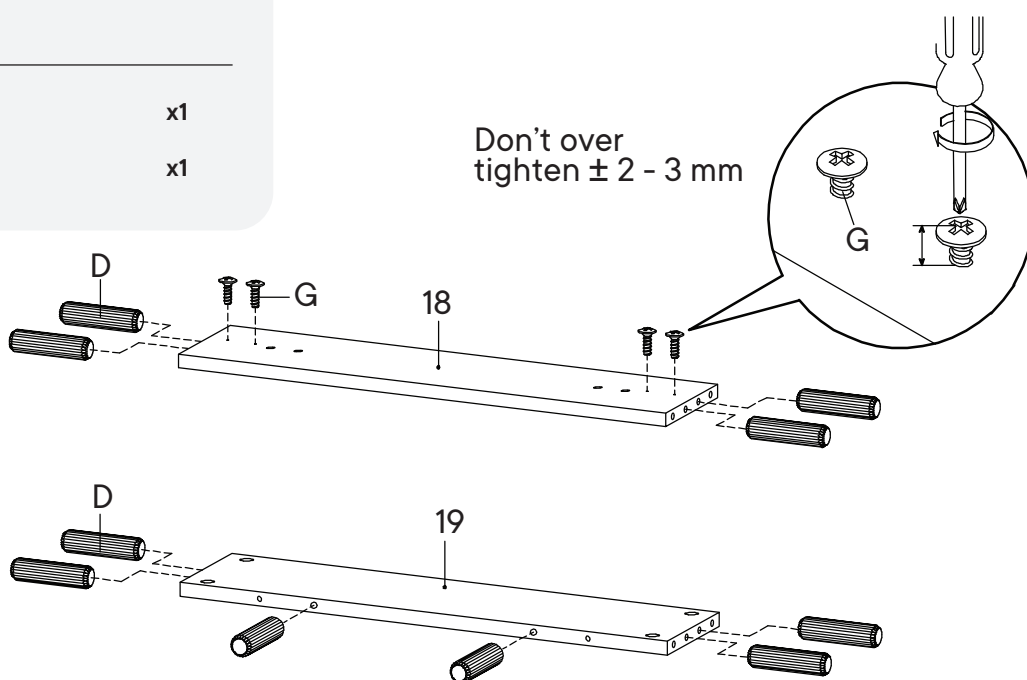
D Wood Dowel Ø8 x 30 mm x10

G Screw M 4.5 x 12.5 mm x4

COMPONENTS

18 Back Skirt 1 x1

19 Back Skirt 2 x1



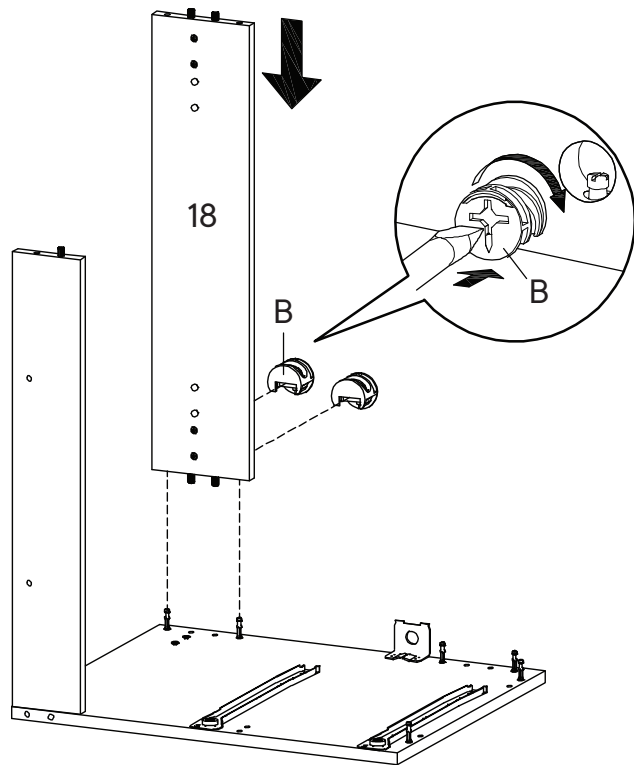
Step 13

HARDWARE

B Cam Lock Ø15 mm x2

COMPONENTS

18 Back Skirt 1 x1



Step 14

HARDWARE

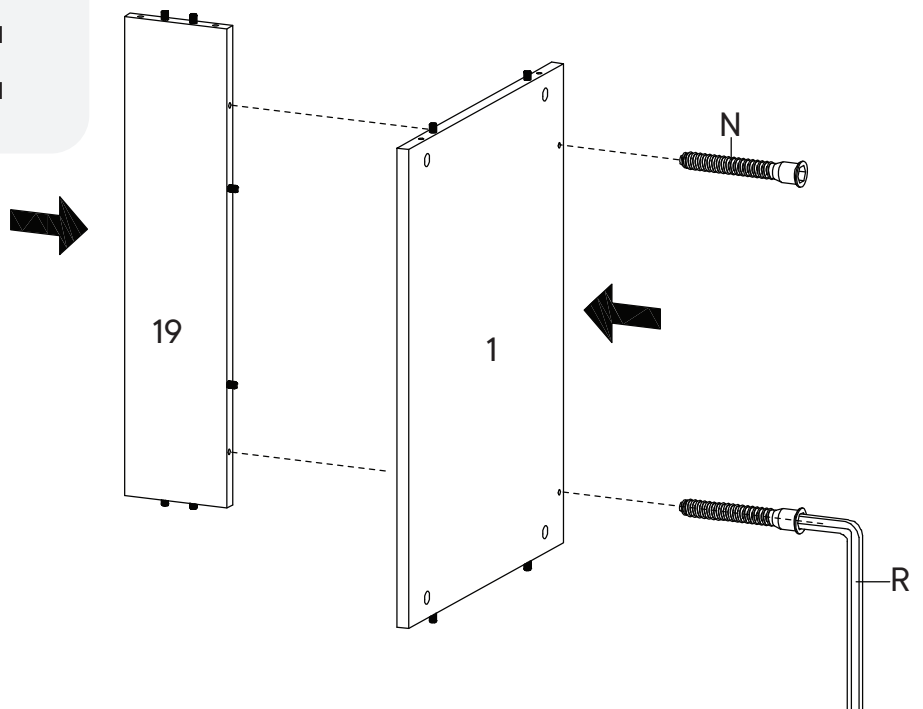
N Screw M 7 x 50 mm x2

R Allen Key x1

COMPONENTS

1 Bottom Board x1

19 Back Skirt 2 x1



Step 15

HARDWARE

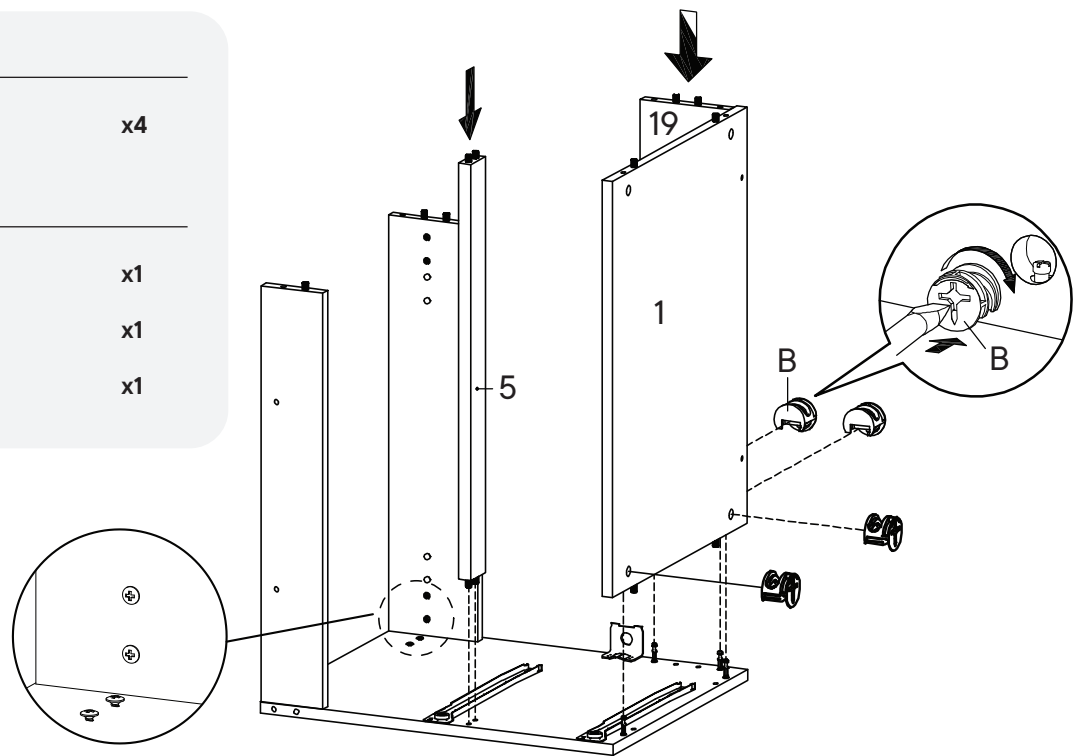
B Cam Lock Ø15 mm x4

COMPONENTS

1 Bottom Board x1

5 Front Skirt 2 x1

19 Back Skirt 2 x1



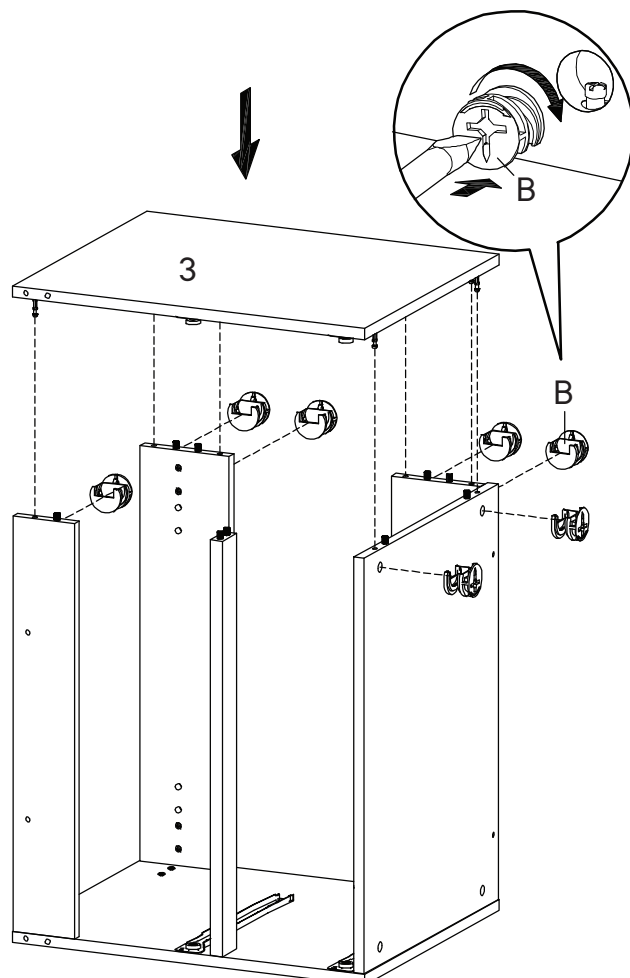
Step 16

HARDWARE

B Cam Lock Ø15 mm x7

COMPONENTS

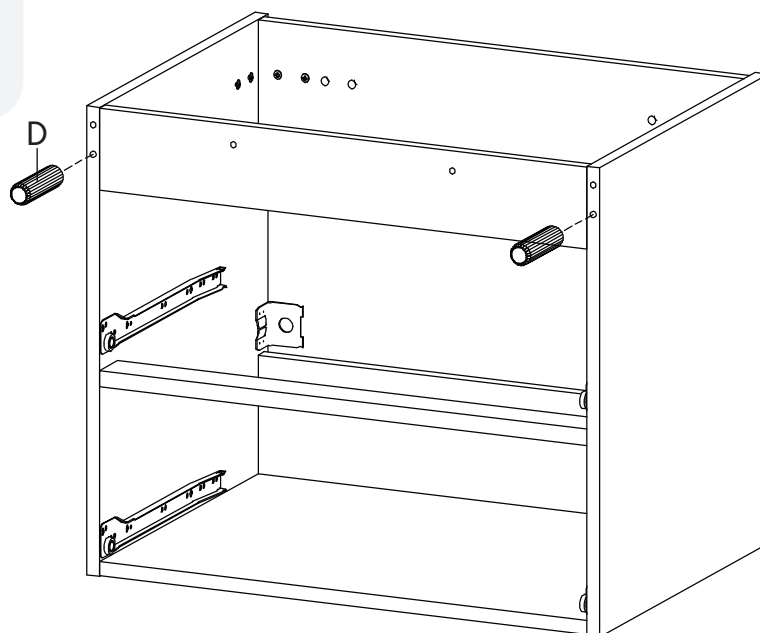
3 Side Board Right x1



Step 17

HARDWARE

- D** Wood Dowel $\varnothing 8 \times 30$ mm x2



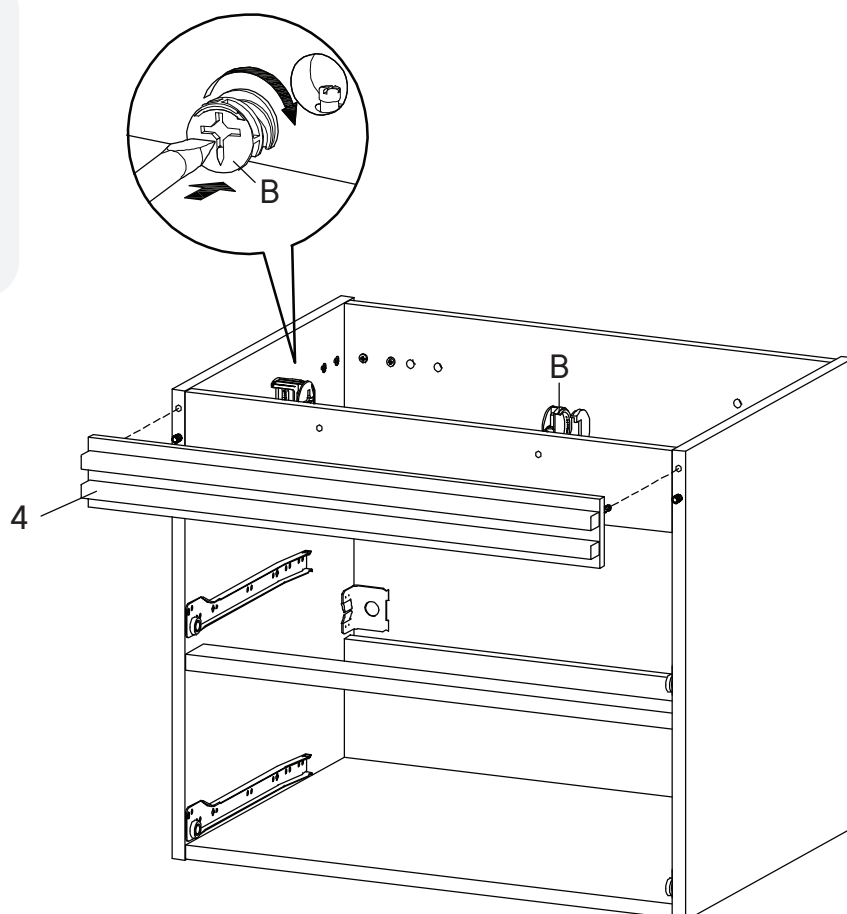
Step 18

HARDWARE

- B** Cam Lock $\varnothing 15$ mm x2

COMPONENTS

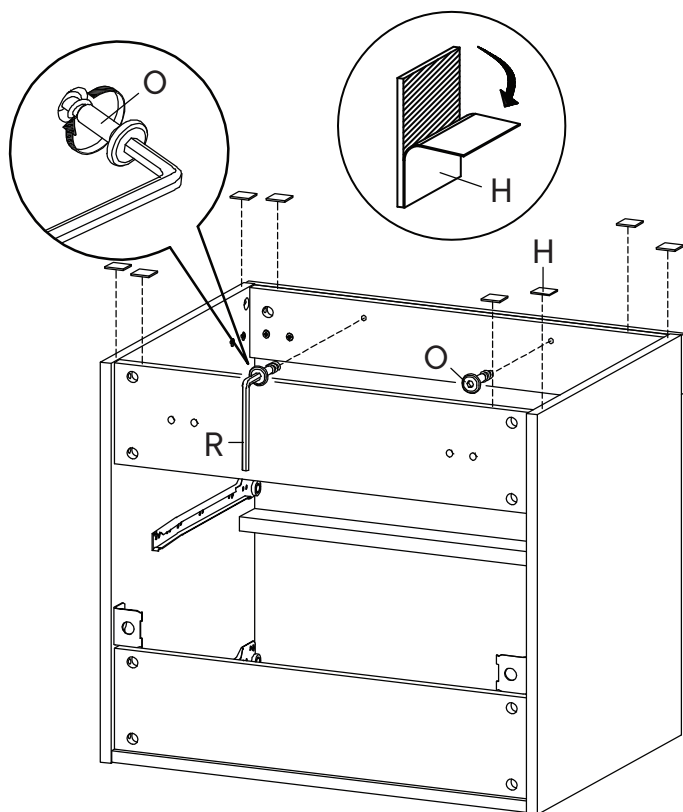
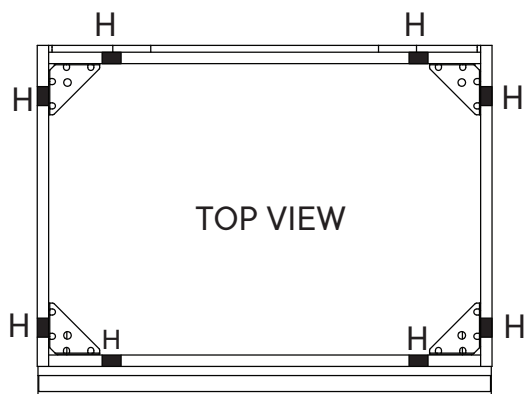
- 4** Front Skirt 1 x1



Step 19

HARDWARE

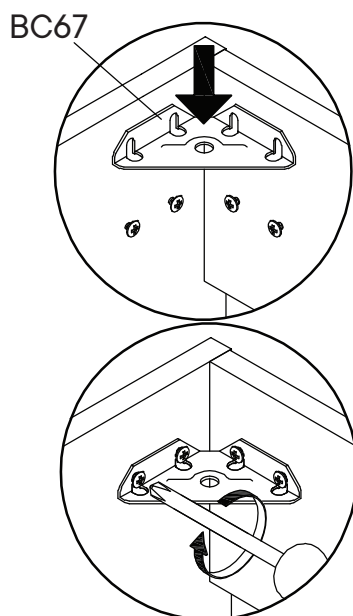
- H** Foam/Rubber Pad x8
- O** Screw M 6.4 x 25 mm x2
- R** Allen Key x1



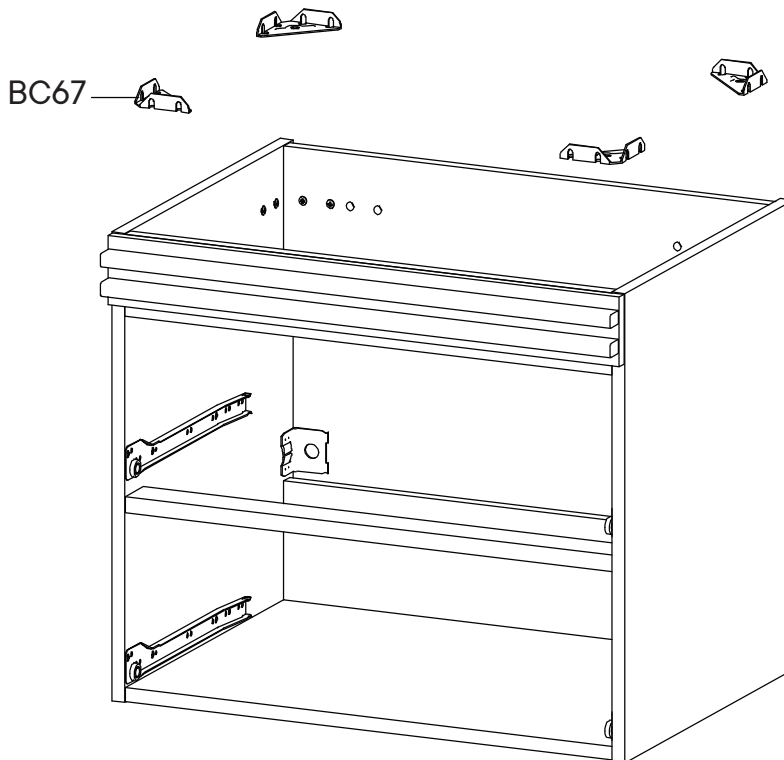
Step 20

HARDWARE

- BC67** Bracket x4



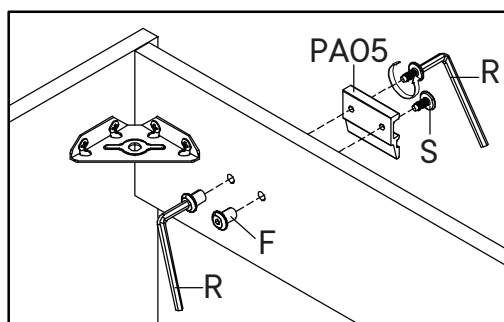
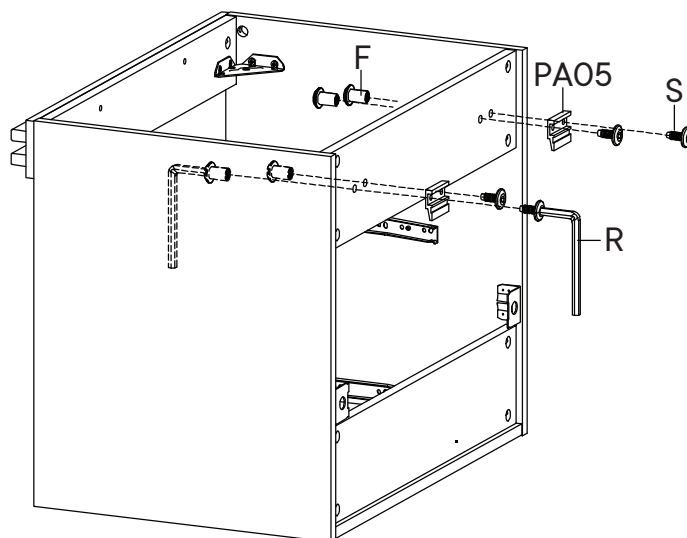
NOTE :
Tighten all the screw



Step 21

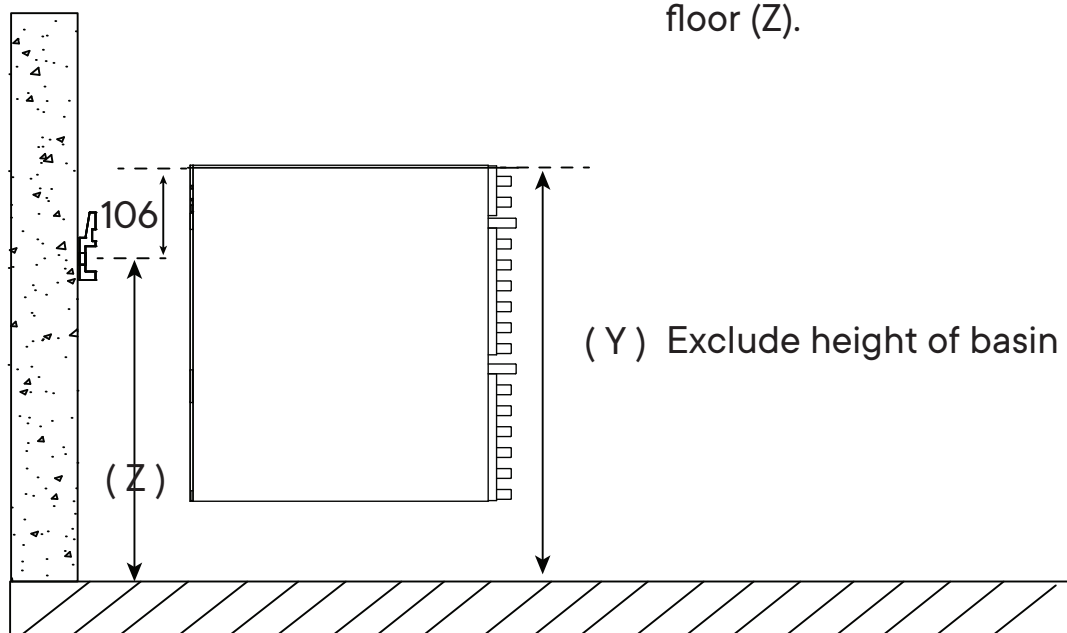
HARDWARE

- F** JCN Nut x4
- R** Allen Key x2
- S** Screw M 6 x 15 mm x4
- PA05** Short Bracket x2



Step 22

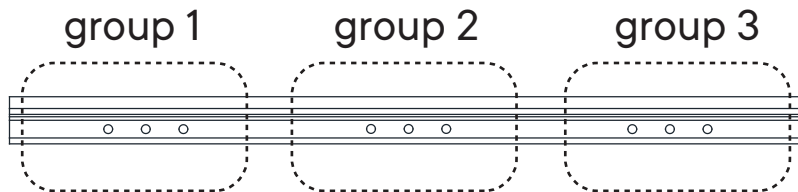
Determine your desired height (Y), then subtract by 106 mm. This is the drill holes height from the floor (Z).



Step 23

Please use minimum 2 holes on group 1 and group 3, and minimum 1 hole on group 2, to apply the wall plug and screw. Use additional holes when necessary.

* Long Bracket



Different wall materials require unique wall fasteners.

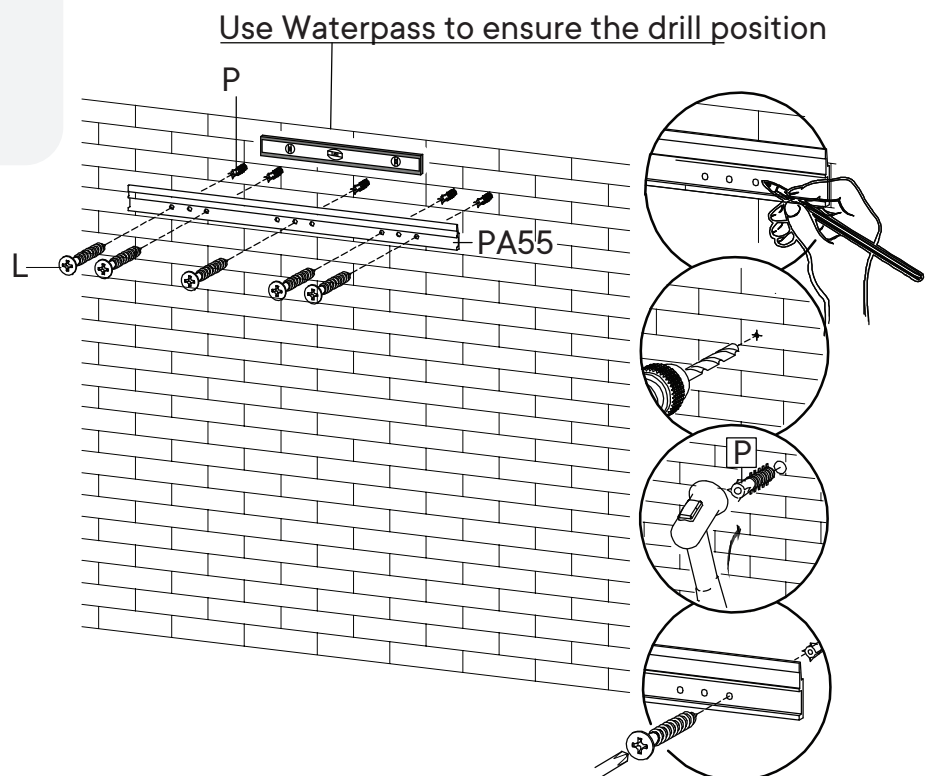
The wall plugs (P) and screws (L) are designed for fixing to concrete walls only.

Please consult your local hardware store to ensure you are using the correct hardware for your wall type.

Step 24

HARDWARE

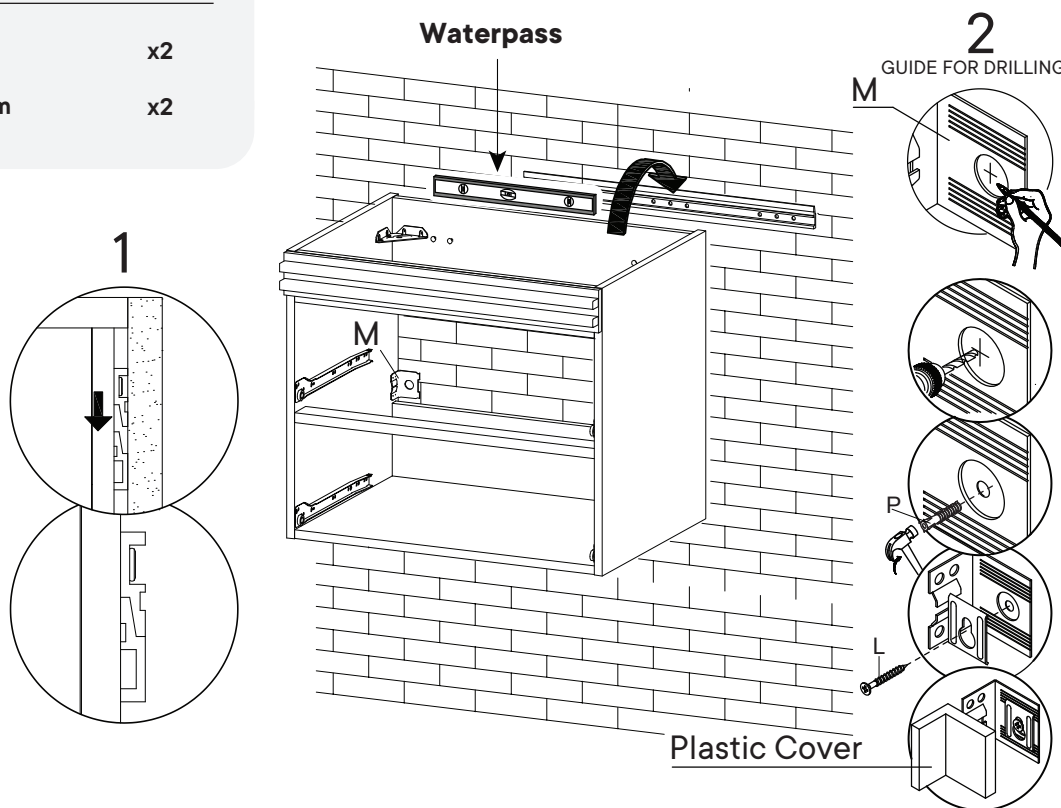
P	Wall Plug	x5
L	Screw 5.5 x 45 mm	x5
PA55	Long Bracket	x1



Step 25

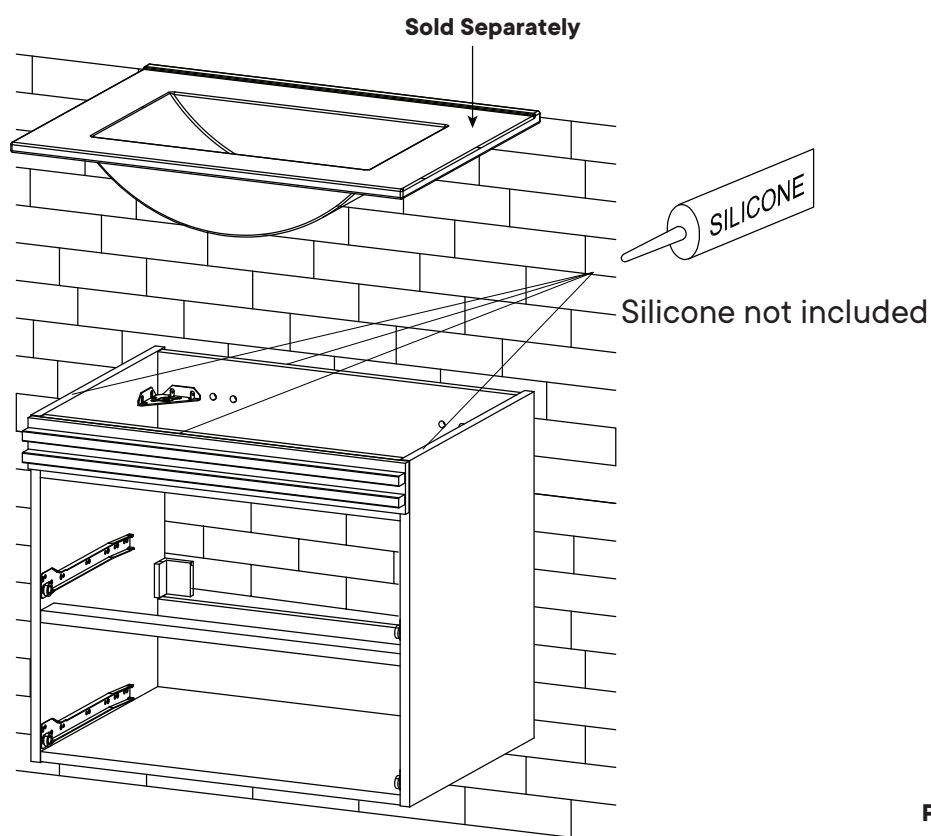
HARDWARE

- P** Wall Plug x2
- L** Screw 5.5 x 45 mm x2

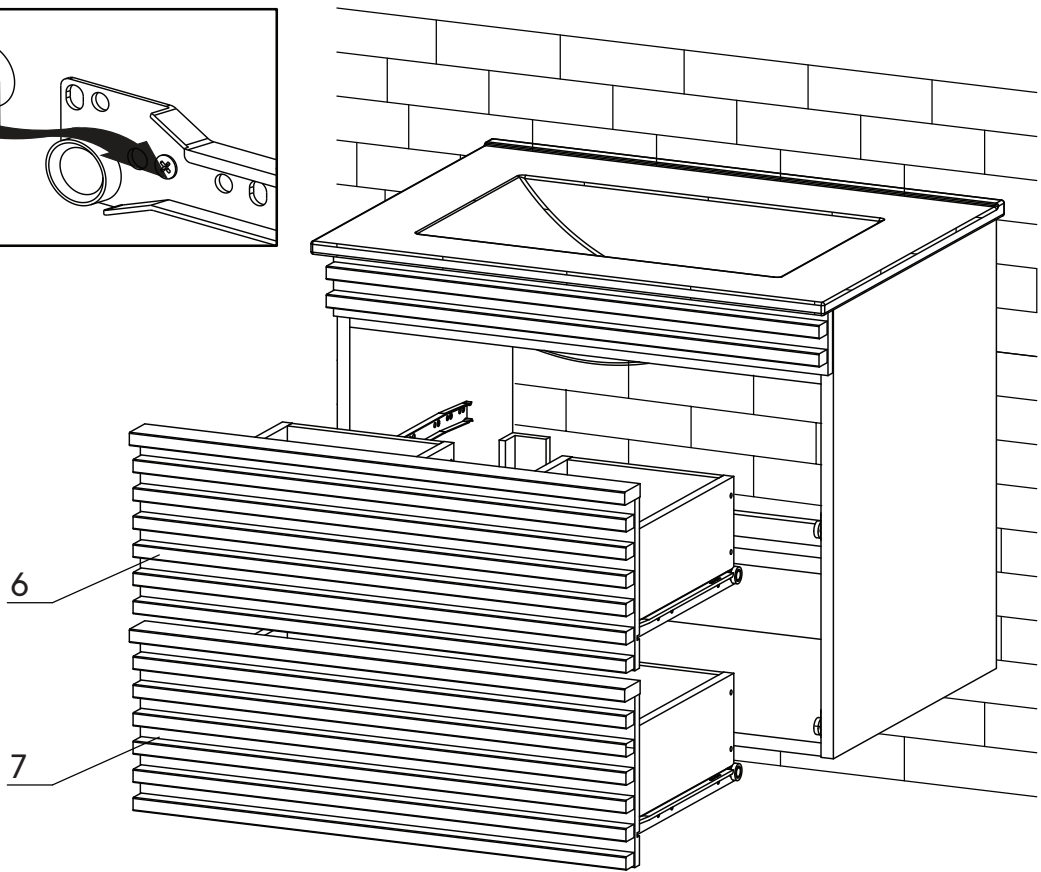
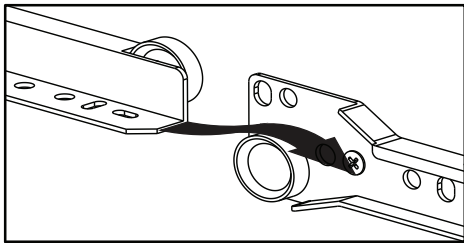


Step 26

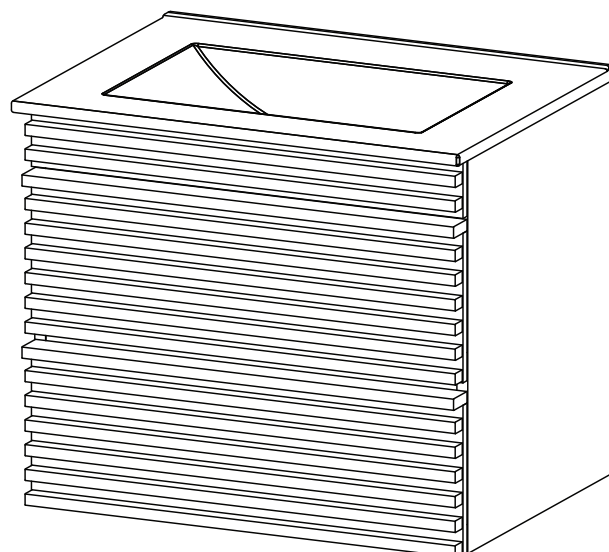
Apply a thin bead of silicone compound around the vanity base and set the vanity top carefully in place. Remove any excess silicone compound with a wet rag



Step 27



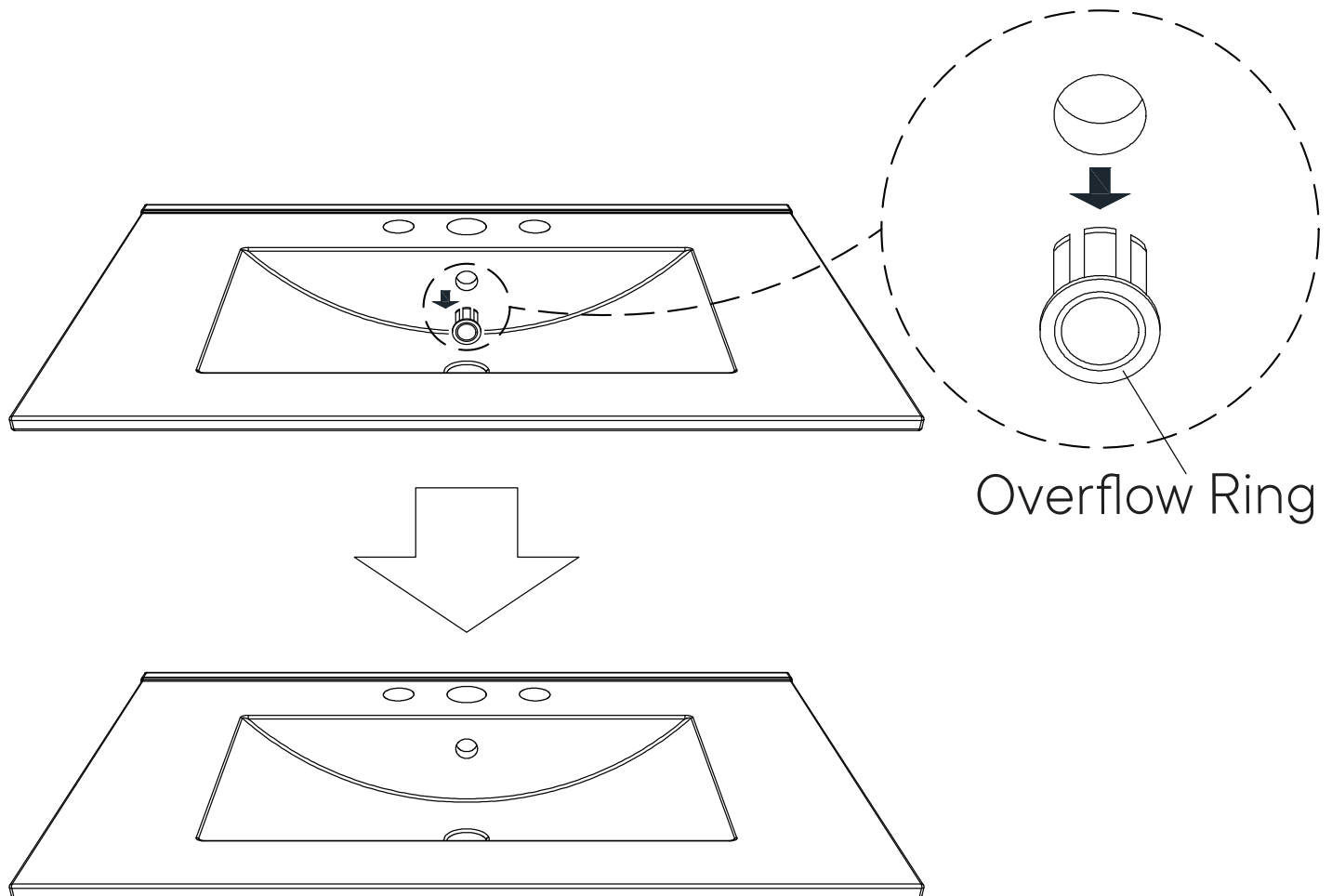
Step 28



A quick note...

*modway

Your sink basin comes complete with a silver overflow ring.
If you'd like to remove this overflow ring, you can do so by hand.



Wait!

Missing parts or hardware? Need assistance?

Contact us before returning your item. We're here to help!

609.256.9000 • cs@modway.com

Great job!

Cabinet assembly is complete.

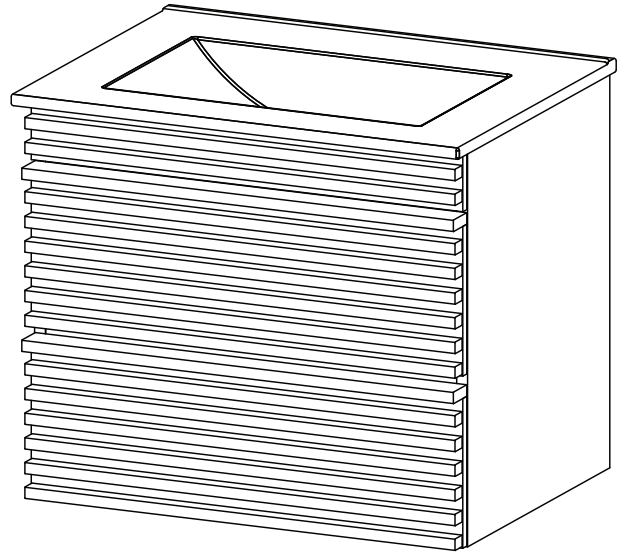
♥ CARING FOR YOUR ITEM

Indoor use only.

Not contract grade.

Clean using a non-abrasive cloth and a mild cleaner.

Never use harsh chemicals, as they could damage the finish or integrity of the item.



CONNECT WITH US!

Tag us [@modway_furniture](#) and [#modway](#) for a chance to be featured.