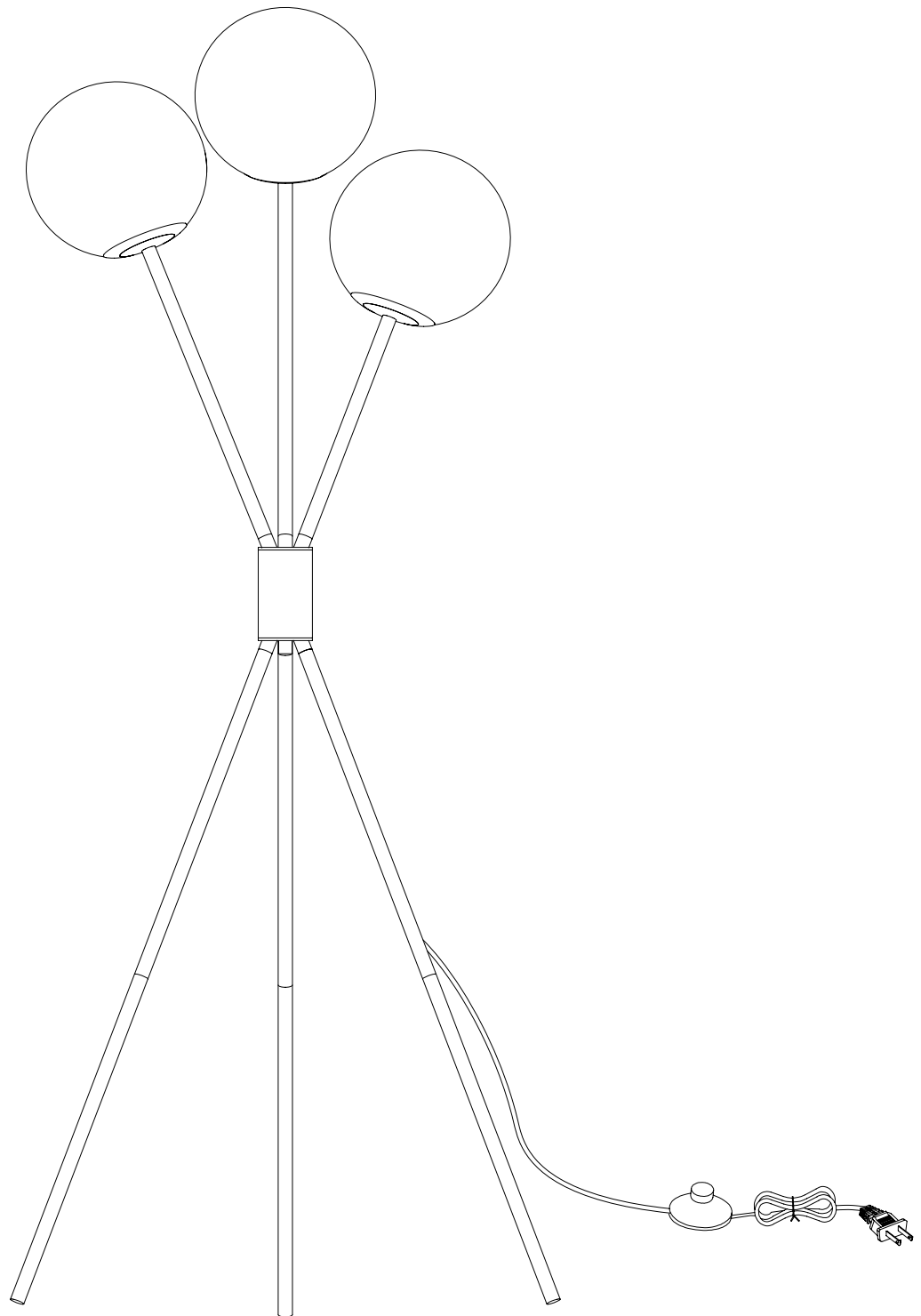


ASSEMBLY INSTRUCTIONS

EEI-5303

V1.03.22.21



Questions? Contact us!

609.256.9000 • cs@modway.com
www.modway.com

***modway**

Let's get started!

*modway

You will need:

+ Three (3) E26 (medium-base) G45 Light Bulbs (MAX. 60W)



Missing parts or hardware? Need assistance?

Contact us before returning your item.

We're here to help!

609.256.9000 • cs@modway.com

CONNECT WITH US!



Tag us [@modway_furniture](https://www.instagram.com/modway_furniture) and [#modway](https://www.facebook.com/modway) for a chance to be featured.

Before you begin, here are some things to keep in mind:

Read through all of the instructions before starting. Make sure you have all parts and components before discarding any packing materials.

Do not over-tighten screws and bolts to avoid stripping the hardware or cracking the item.

Assemble your item on a flat, carpeted area, with plenty of space to work. This will prevent damage and scratches to your floors or the item while you're assembling the product.

Keep all components and packaging out of reach of children or animals to avoid risk of choking or suffocation.

Check all parts and hardware for damage. If the product is damaged, it should not be used.

We recommend LED bulbs. LEDs are better for energy consumption and can prolong the life of the fixture.

Allow the fixture to cool before changing the bulb. Fixture may get hot when in use.

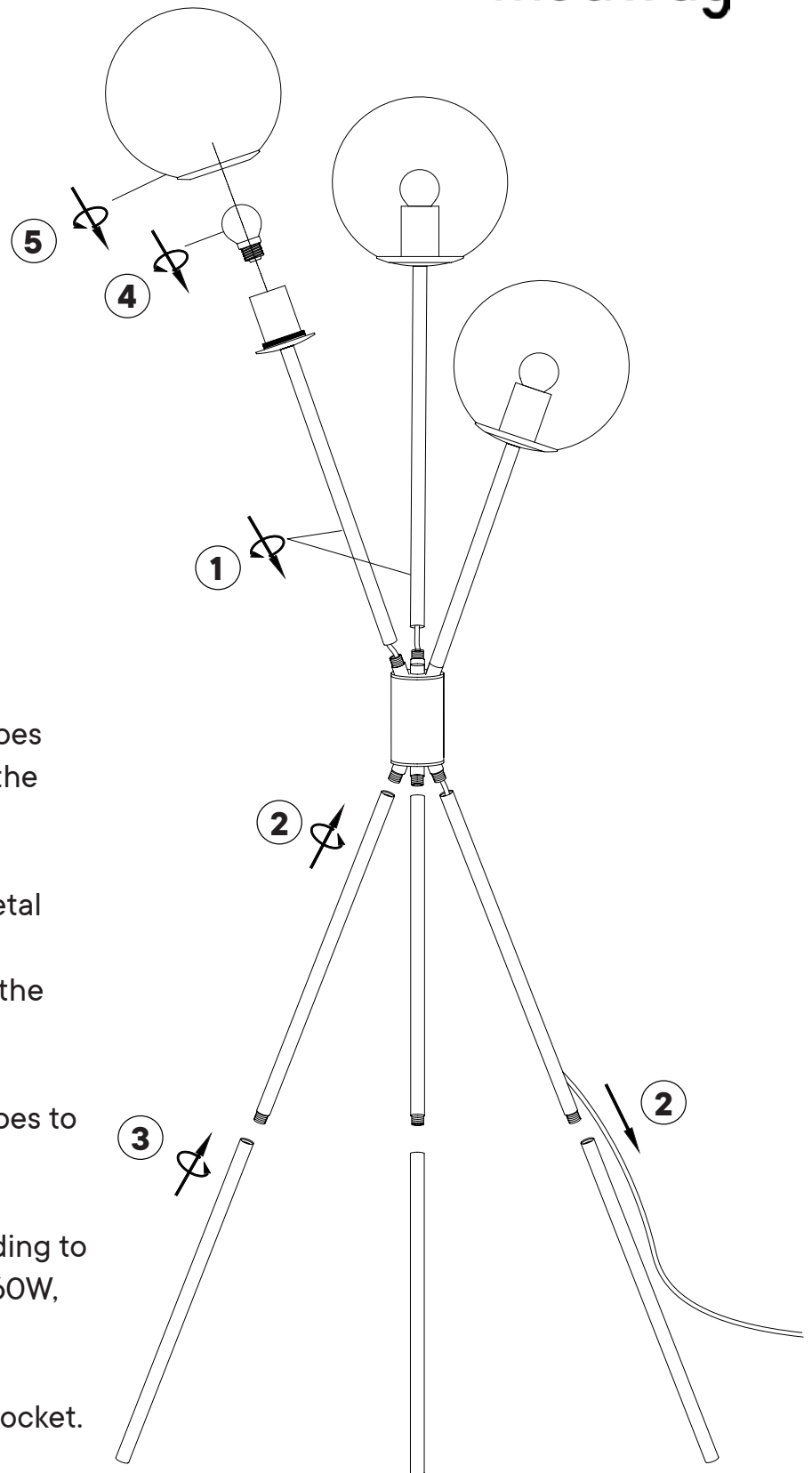
CARING FOR YOUR ITEM

Indoor use only.

Clean using a non-abrasive cloth and a mild cleaner.

Never use harsh chemicals, as they could damage the finish or integrity of the item.

*modway



Step 1 Connect the upper metal tubes that have the sockets attached, to the center housing.

Step 2 Pull the wire through the metal tubes as shown on the drawing and connect the middle metal tubes to the center housing.

Step 3 Connect the lower metal tubes to the middle metal tubes.

Step 4 Install the light bulbs according to the wattage label (E26, G45, MAX. 60W, bulbs not included)

Step 5 Affix each glass shade to a socket.

ATTENTION: To avoid the risk of fire, do not exceed the recommended wattage indicated on the wattage label.