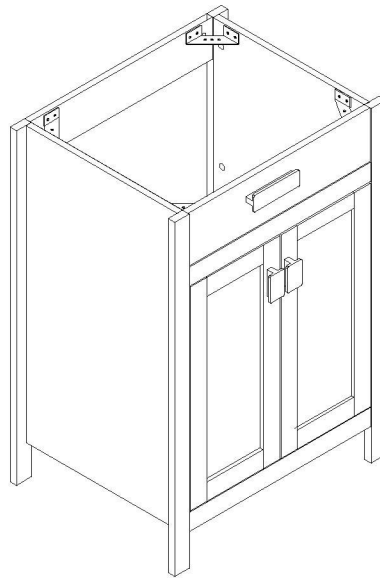

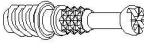
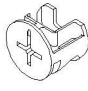
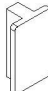
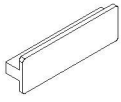
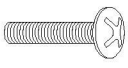
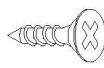
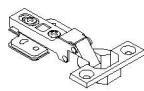


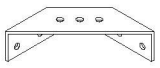
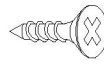
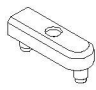

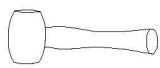



Thank you for purchasing the **MODWAY Vanity!**
 Before you start, here are some helpful advice:

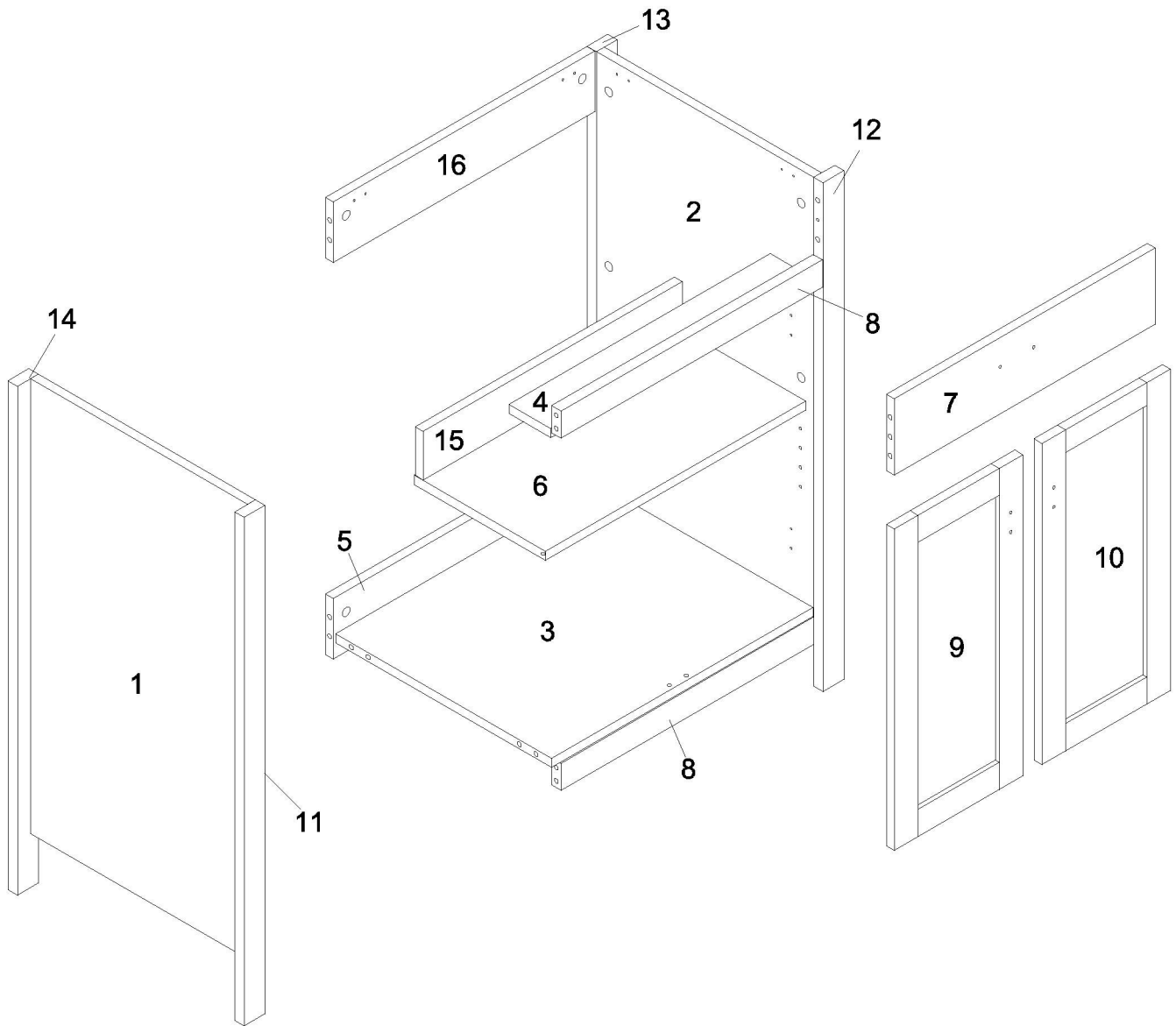
1. We suggest you spend a short time reading through this leaflet and then follow the simple step-by-step instructions.
2. Owing to the size and weight of the vanity, we recommend that it is assembled by two adults, on a carpeted or padded area, in the room that it is intended for. Approximate assembly time: 60 minutes.
3. Please do not use any tools other than those provide or recommended in these instructions.
4. Please do not throw away any of the packaging or instructions until you have checked all the components and hardware and the furniture is fully assembled.
5. Assemble all components loosely until advised to tighten. Depending on use, it may be necessary to tighten the components from time to time, so please save the tools that have been provided.
6. Please keep all pieces out of reach of children.



Hardware :

<p>A) Dowel/Wood</p>  <p>M8 x 25 mm x 32</p>	<p>B) Cambolt/Metal</p>  <p>Ø6 x 24 mm x 24</p>	<p>C) Camlock/Metal</p>  <p>Ø15 mm x 24</p>	<p>D) Handle/Aluminium</p>  <p>50 mm x 2</p>	<p>E) Handle/Aluminium</p>  <p>150 mm x 1</p>
<p>F) Screw/Metal</p>  <p>M4 x 22 mm x 6</p>	<p>G) Screw/Metal</p>  <p>M4 x 14 mm x 40</p>	<p>H) Hinges/Metal</p>  <p>x 4</p>	<p>I) Shelf pin/Metal</p>  <p>Ø5 mm x 4</p>	<p>J) Screw/Metal</p>  <p>#9 x 38 mm x 2</p>
<p>K) Bracket/Metal</p>  <p>28 x 100 mm x 4</p>	<p>L) Screw/Metal</p>  <p>M3.5 x 16 mm x 1</p>	<p>M) Stopper/Plastic</p>  <p>14 x 41 x 8 mm x 1</p>	<p>N) Pad/Rubber</p>  <p>35 x 14 mm x 4</p>	<p>O) Hammer (Not include)</p>  <p>x 1</p>
<p>P) Screwdriver (Not include)</p>  <p>x 1</p>				

Components:

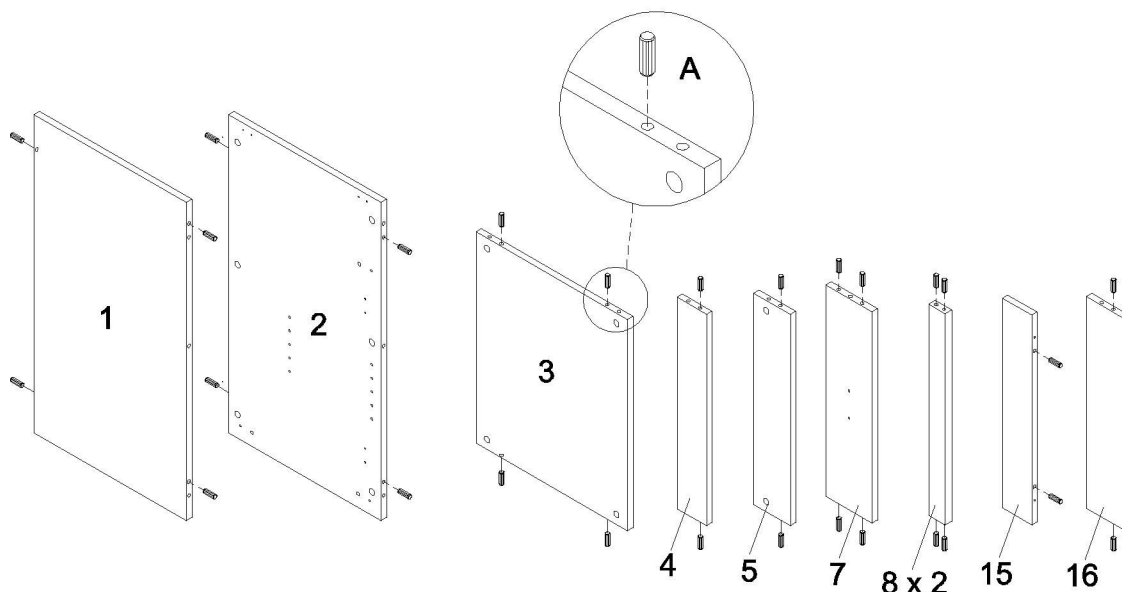




All parts/components are labeled with numbering as the part list below.

- | | | | | | | | |
|--------------------|----|--------------------|----|--------------------|----|--------------------|----|
| ① Side Panel Left | x1 | ② Side Panel Right | x1 | ③ Bottom Panel | x1 | ④ Base Panel 1 | x1 |
| ⑤ Back Panel 1 | x1 | ⑥ Adjustable Shelf | x1 | ⑦ Front Panel | x1 | ⑧ Base Panel 2 | x2 |
| ⑨ Door Left | x1 | ⑩ Door Right | x1 | ⑪ Vertical Panel 1 | x1 | ⑫ Vertical Panel 2 | x1 |
| ⑬ Vertical Panel 3 | x1 | ⑭ Vertical Panel 4 | x1 | ⑮ Base Panel 3 | x1 | ⑯ Back Panel 2 | x1 |

STEP 1 :

Carefully insert the **Wood Dowels (A)** at the designated holes on the relevant parts.

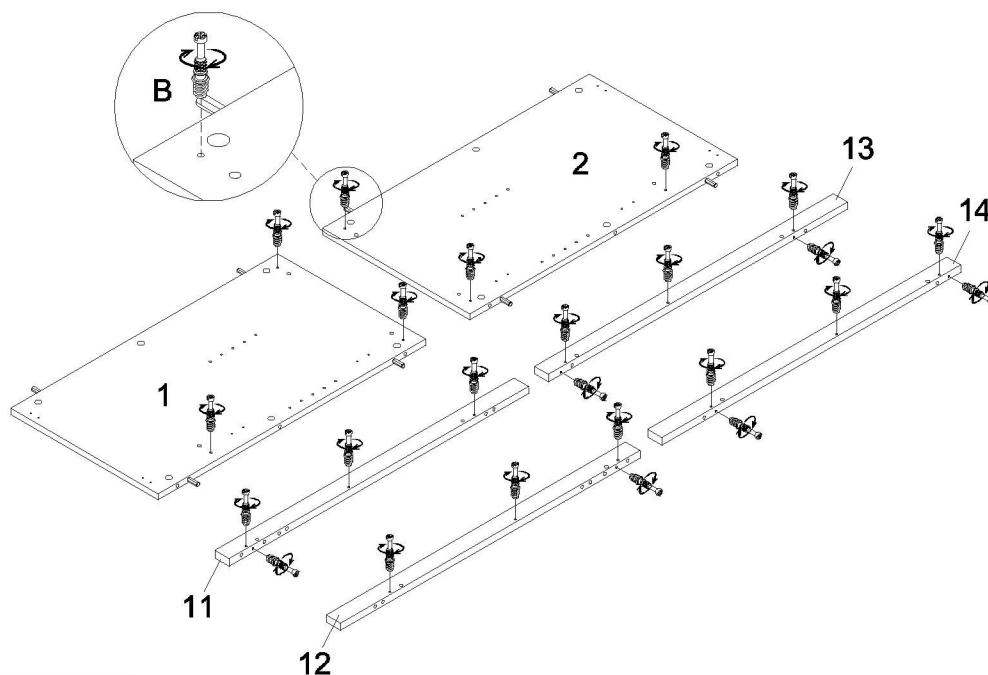




	
Ax32	Ox1

Hardware required. Hammer not included

STEP 2 : (Power tool not recommended)

Use Philips screwdriver to insert the **Cambolt (B)** carefully at the designated holes on the relevant parts. Please ensure the Cambolt is inserted and secured at the correct pre-drilled holes.

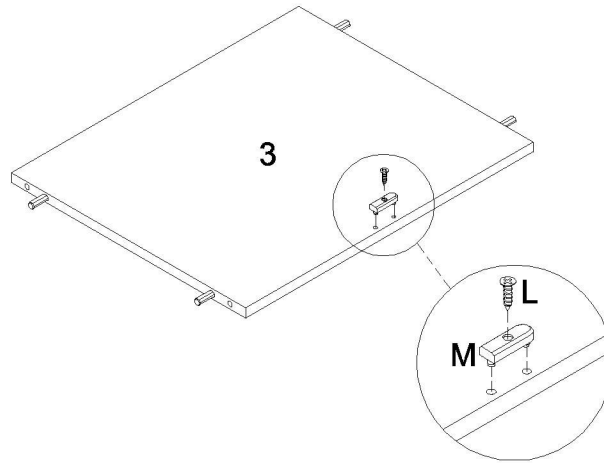




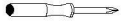
	
Bx24	Px1

Hardware required. Screwdriver not included

STEP 3 :

Secure the **Door Stopper (M)** to the **Bottom Panel (3)** with **Screw (L)**.



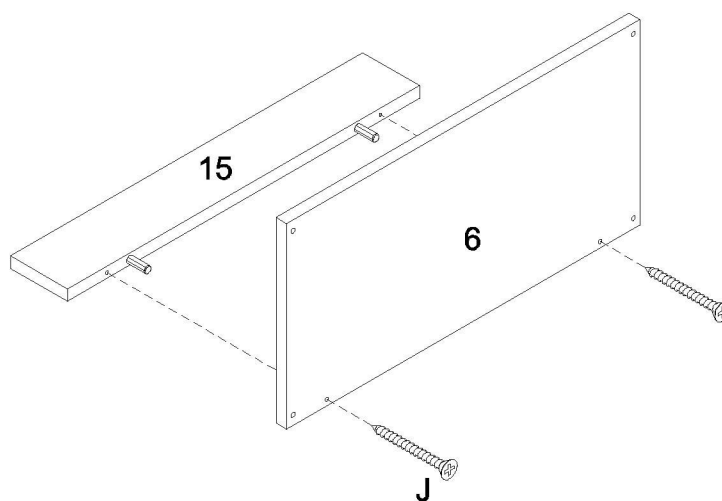
		
Lx1	Mx1	Px1



Hardware required. Screwdriver not included

STEP 4 :

Secure the **Base Panel (15)** to the **Adjustable Shelf (6)** with 2 pieces of **Screw (J)**.

This assembly namely **Shelf Panel Assembly**

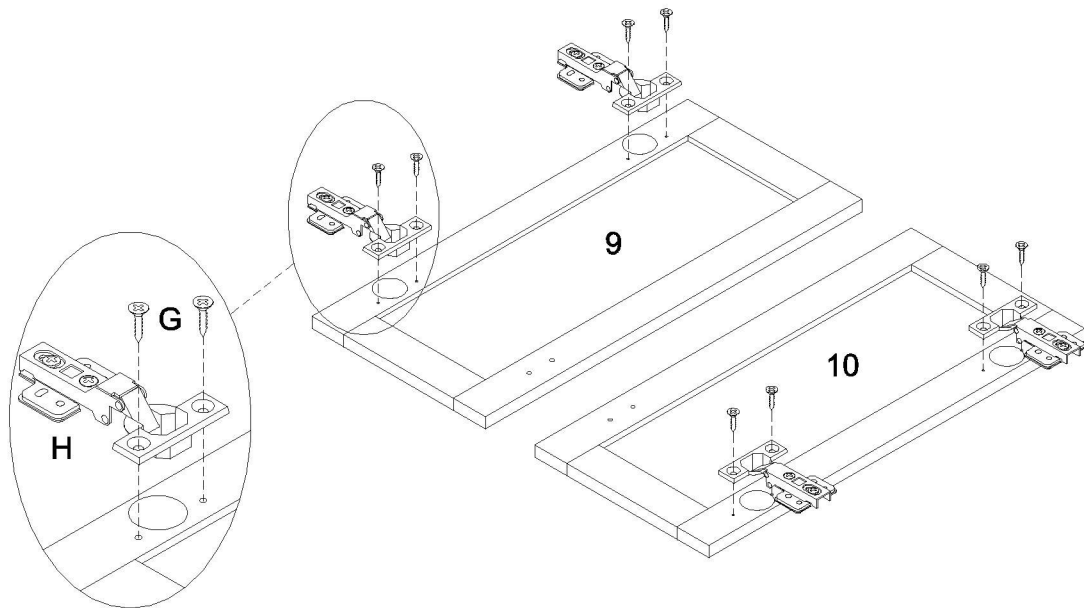





	
Jx2	Px1

Hardware required. Screwdriver not included

STEP 5 :

Assemble 2 pieces of **Door Hinges (H)** to the **'Door Left (9)'** and **'Door Right (10)'** on each sides and secure it with 2 pieces of **Screws (G)** for each hinges.



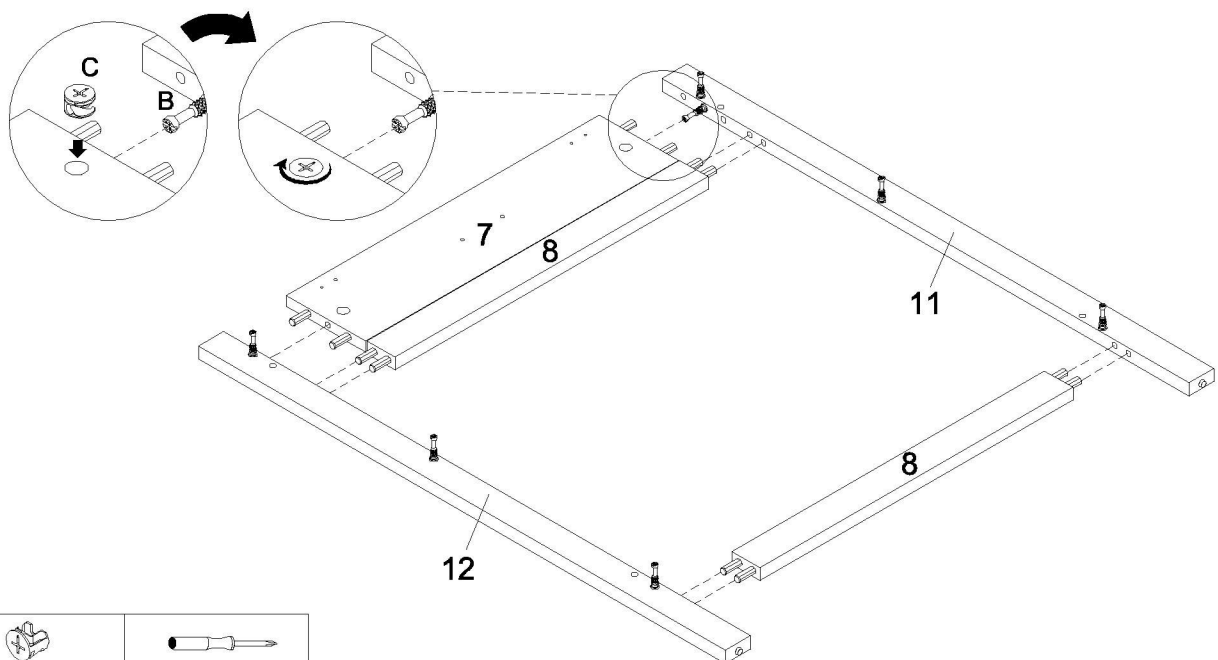
		
Gx8	Hx4	Px1


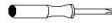
Hardware required. Screwdriver not included

STEP 6 :

Properly insert the **Camlock (C)** in the pre-drilled hole then align it to the assembled **Cambolt (B)** to secure both of **Front Panel (7)** and **Base Panel (8)** to the **Vertical Panel 1 (11)** and **Vertical Panel 2 (12)**.

This assembly namely **Front Frame Assembly**



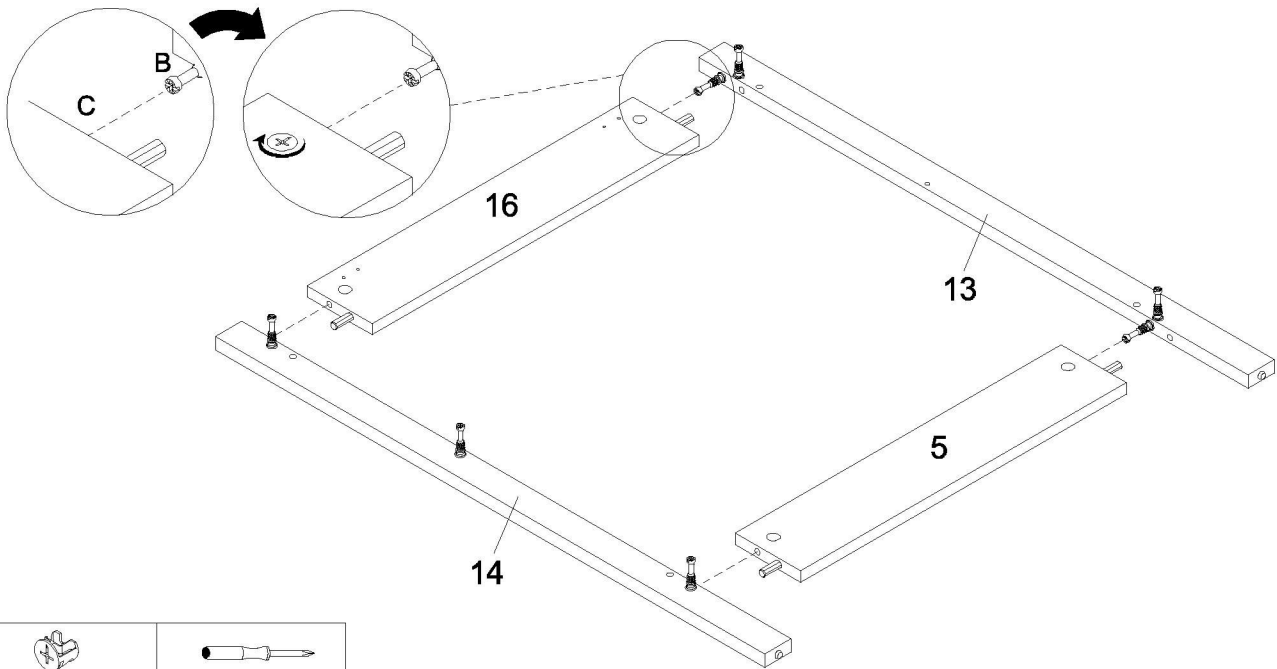
	
Cx2	Px1



Hardware required. Screwdriver not included

STEP 7 :

Repeat Step 6 to secure the **Back Panel 1 (5)** and the **Back Panel 2 (16)** to the **Vertical Panel 4 (14)** and **Vertical Panel 3 (13)**.

This assembly namely **Back Frame Assembly**

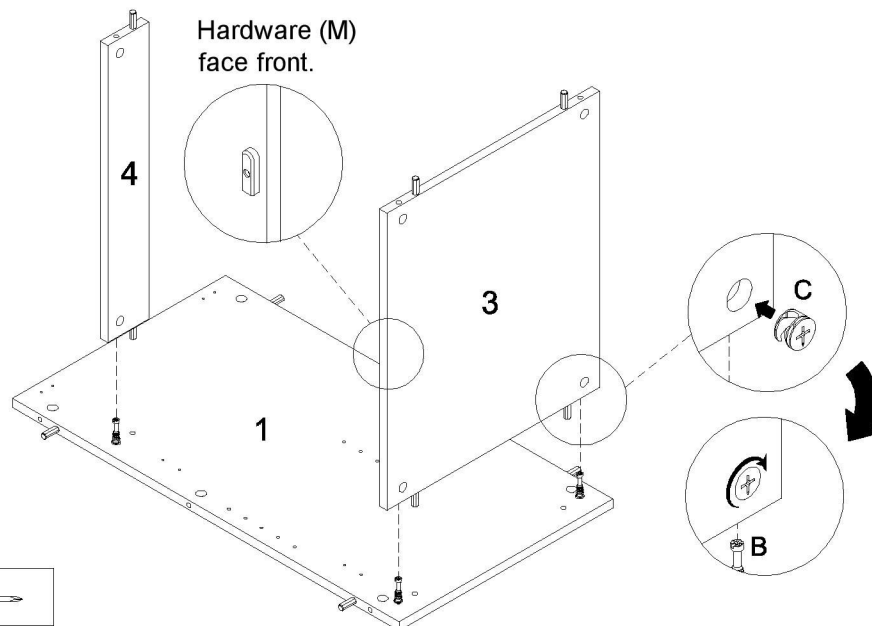




	
Cx4	Px1

Hardware required. Screwdriver not included

STEP 8 :

- 8.1- Lay flat the **Side Panel Left (1)** which already assembled with 4 pieces of **Wood Dowel (A)** and 3 pieces of **Cambolt (B)**.
- 8.2- Insert **Camlock (C)** from the pre-drilled hole of the **Bottom Panel (3)** then properly align the Wooden Dowel to the pre-drilled hole of the **Side Panel Left (1)**.
- 8.3- Once aligned and attached, make sure to secure **Camlock (C)** from the **Bottom Panel (3)** to the **Cambolt (B)** of the **Side Panel Left (1)**.
- 8.4- Repeat steps to secure the **Base Panel 1 (4)** to the **Side Panel Left (1)** as shown.



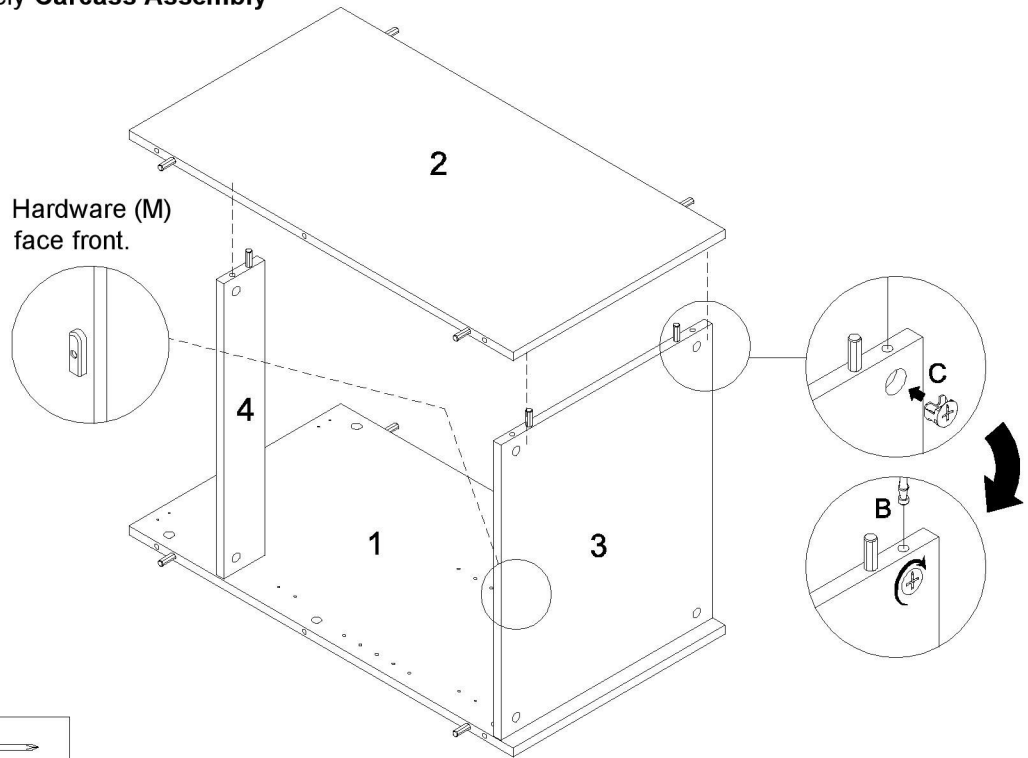
	
Cx3	Px1


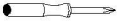
Hardware required. Screwdriver not included

STEP 9 :

Repeat step 8.2 - 8.3 to secure the Side Panel Right (2) to the Base Panel 1 (4) and Bottom Panel (3).

This assembly namely **Carcass Assembly**



	
Cx3	Px1

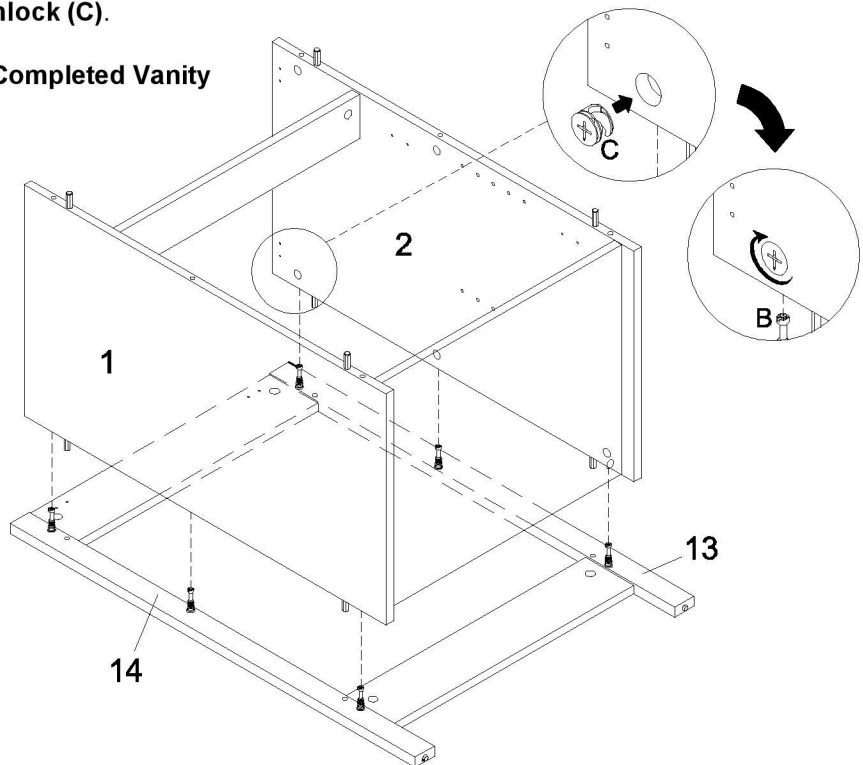
Hardware required. Screwdriver not included



STEP 10 :

10.1- Lay flat the **Back Frame Assembly** which already completed on **Step 7**,

10.2- Due to the unstable structure, properly lift the **Carcass Assembly** and align both pre-assemble wood dowels and **Cambolt (B)** to the pre drilled hole on the **Back Frame Assembly** and properly secure the inserted **Camlock (C)**.

This assembly namely **Semi Completed Vanity**

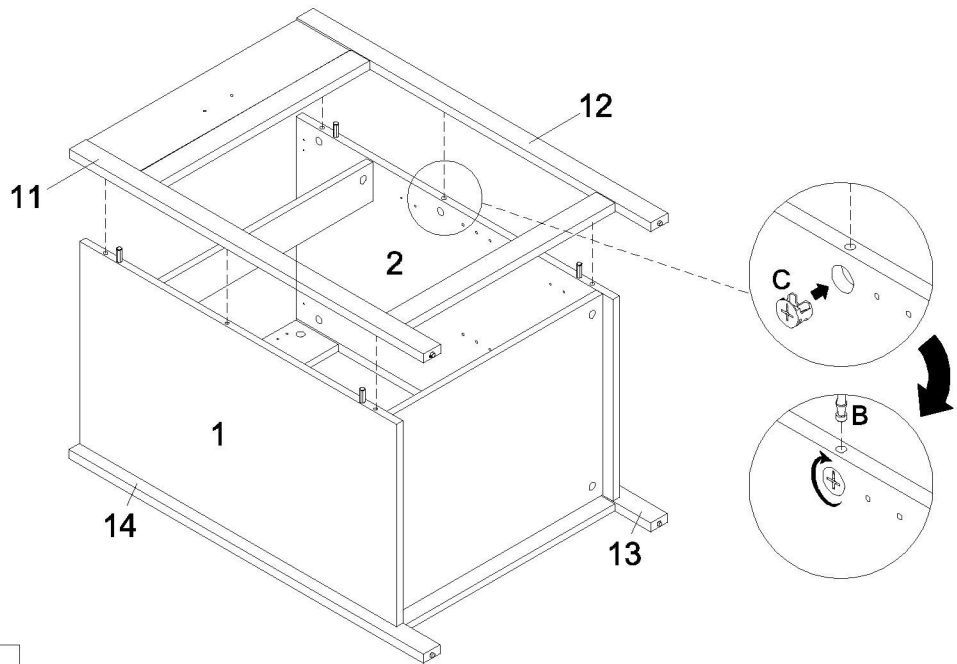


	
Cx6	Px1

Hardware required. Screwdriver not included

STEP 11 :

- 11.1- Once Step 10 is completed, lay flat the **Semi Completed Assembly** with **Back Frame Assembly** facing down.
- 11.2- Carefully align all 4 pieces of wooden dowel and **Cambolt (B)** to the pre-drilled holes at the **Front Frame Assembly** which completed on **Step 6** and secure it with the inserted **Camlock (C)**.

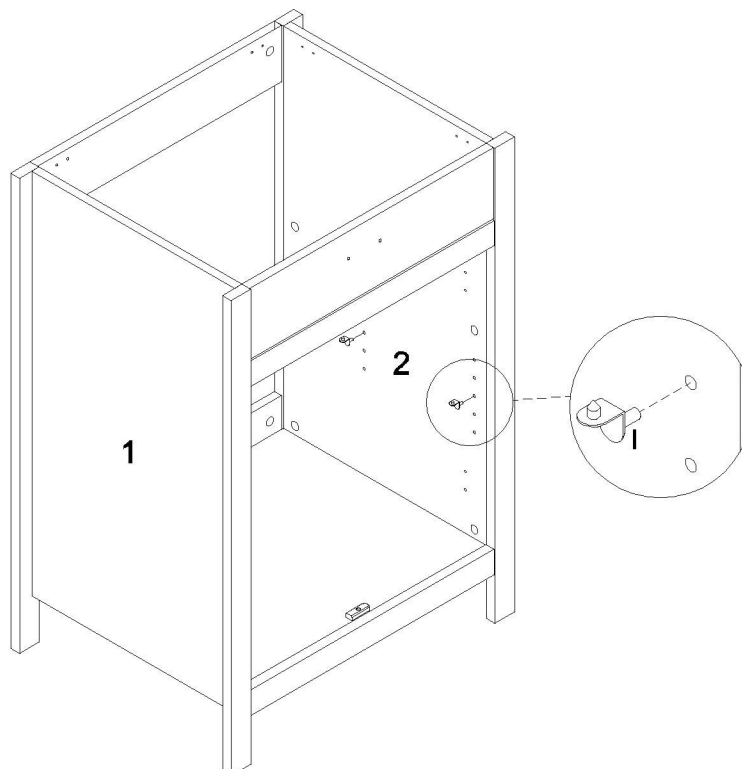


Cx6	Px1

Hardware required. Screwdriver not included

STEP 12 :

Insert the **Shelf Pin (I)** to the pre-drilled holes and adjust the desired height accordingly.



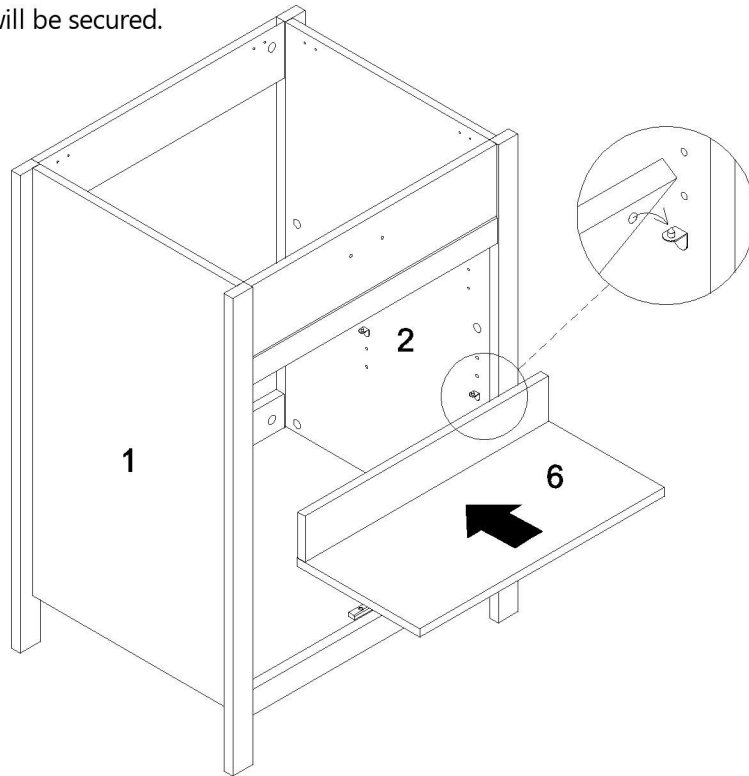
Ix4

Hardware required. Screwdriver not included

STEP 13 :

Properly align the pre-drilled hole at the bottom of the **Shelf Panel Assembly** which already completed on Step 4 to shelf pin.

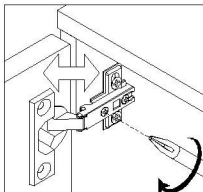
13.2 - Once fixed the shelf will be secured.



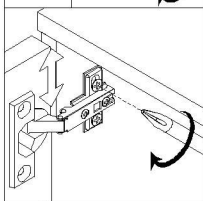
STEP 14 :

Hinges Adjustment Facilities

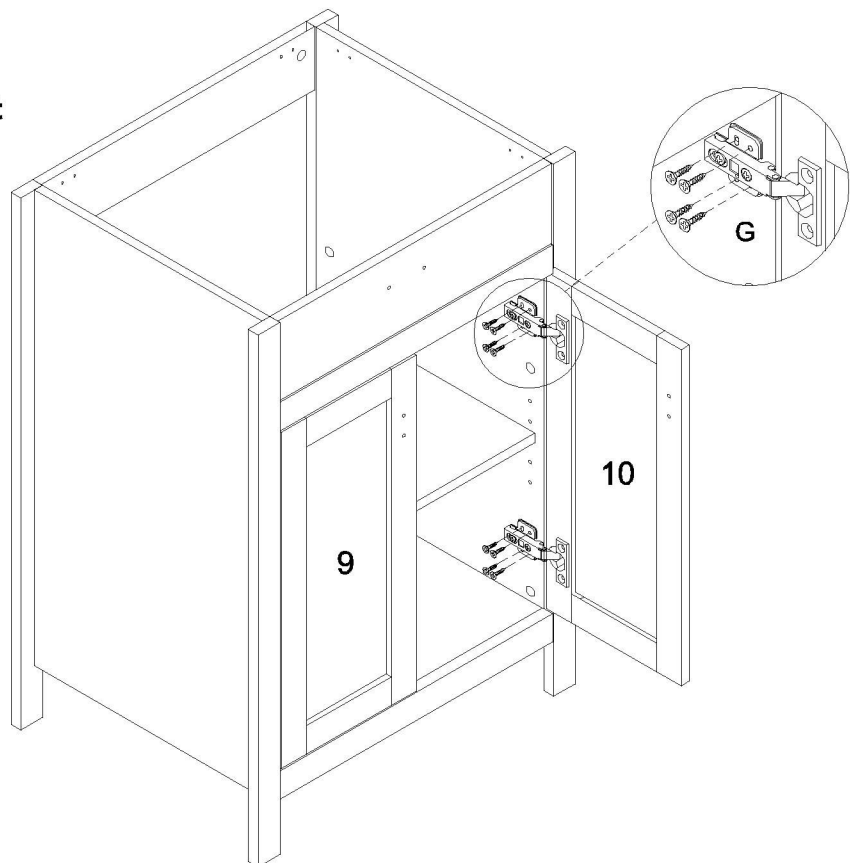
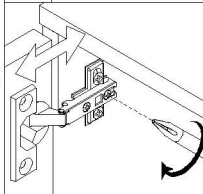
A.Lateral adjustment by screw adjusting





B.Vertical adjustment via slot in the mounting plate



C.Front-to-Back by slacking the hinges arm mounting screw

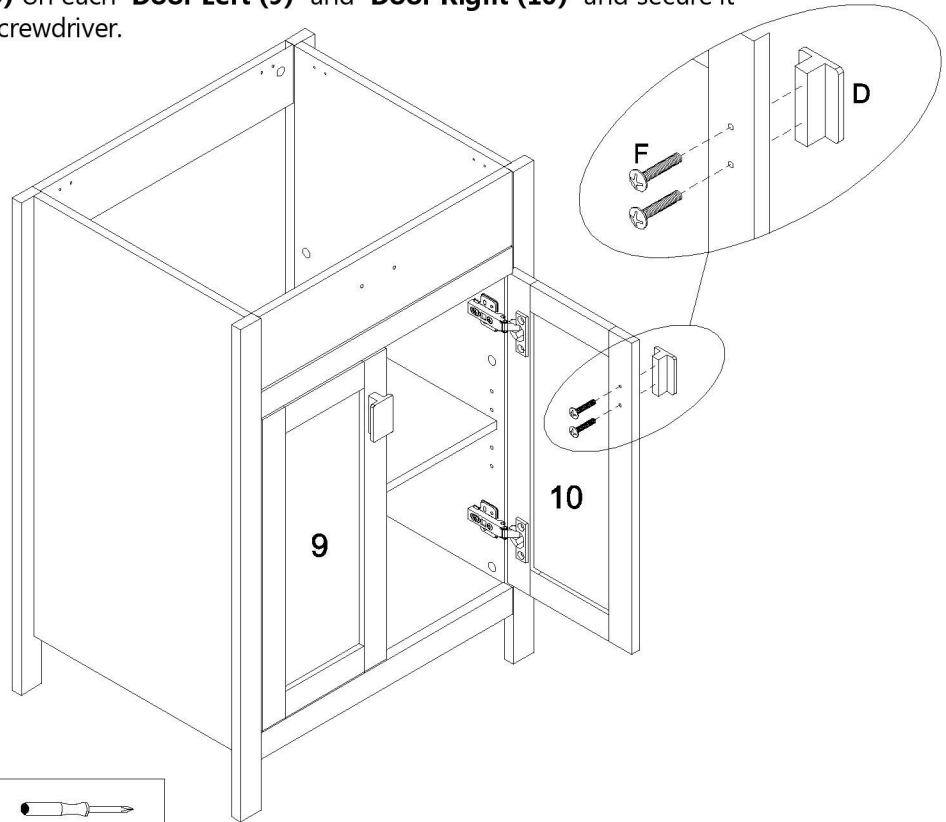


	
Gx16	Px1

Hardware required. Screwdriver not included

STEP 15 :

Assemble **Door Handles (D)** on each '**Door Left (9)**' and '**Door Right (10)**' and secure it with a **Screw (F)** by using screwdriver.

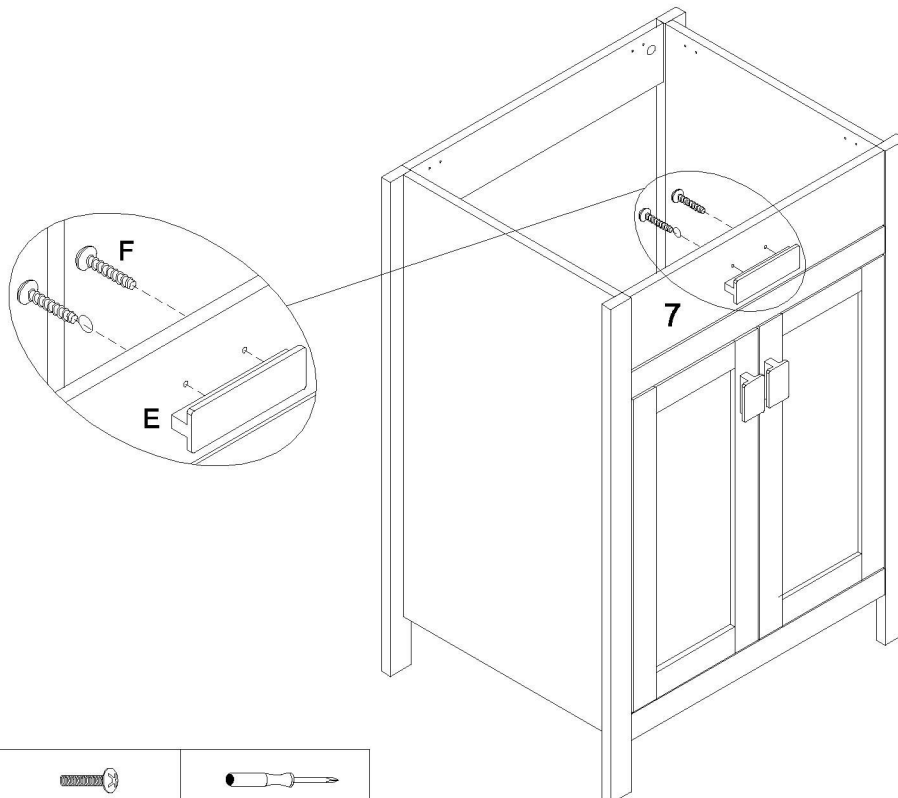


Dx2	Fx4	Px1

Hardware required. Screwdriver not included

STEP 16 :

Secure 2 pieces of **Handle (E)** with **Screw (F)** to the pre-drilled holes on the **Front Panel (7)**.

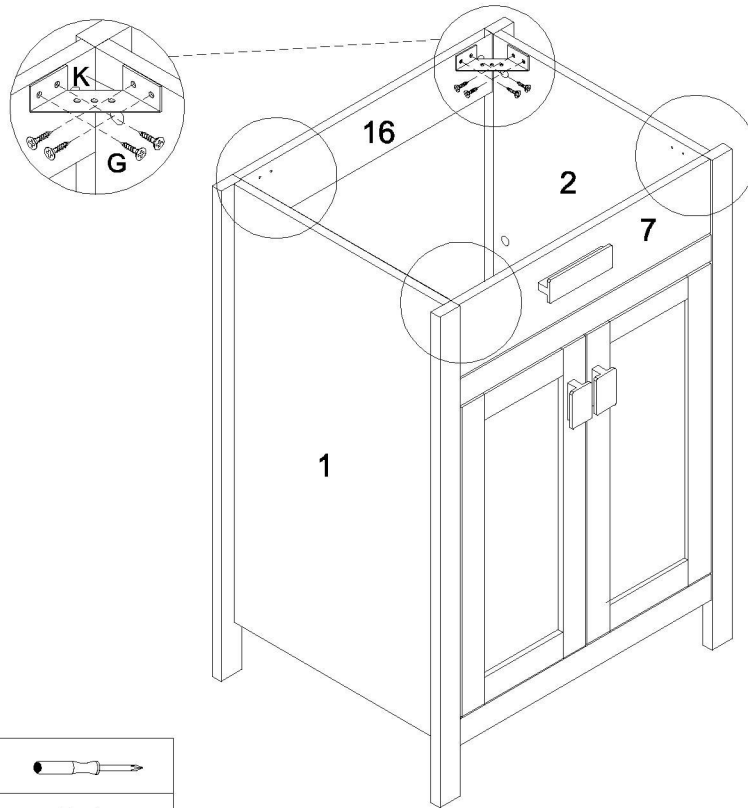





Ex1	Fx2	Px1

Hardware required. Screwdriver not included

STEP 17 :

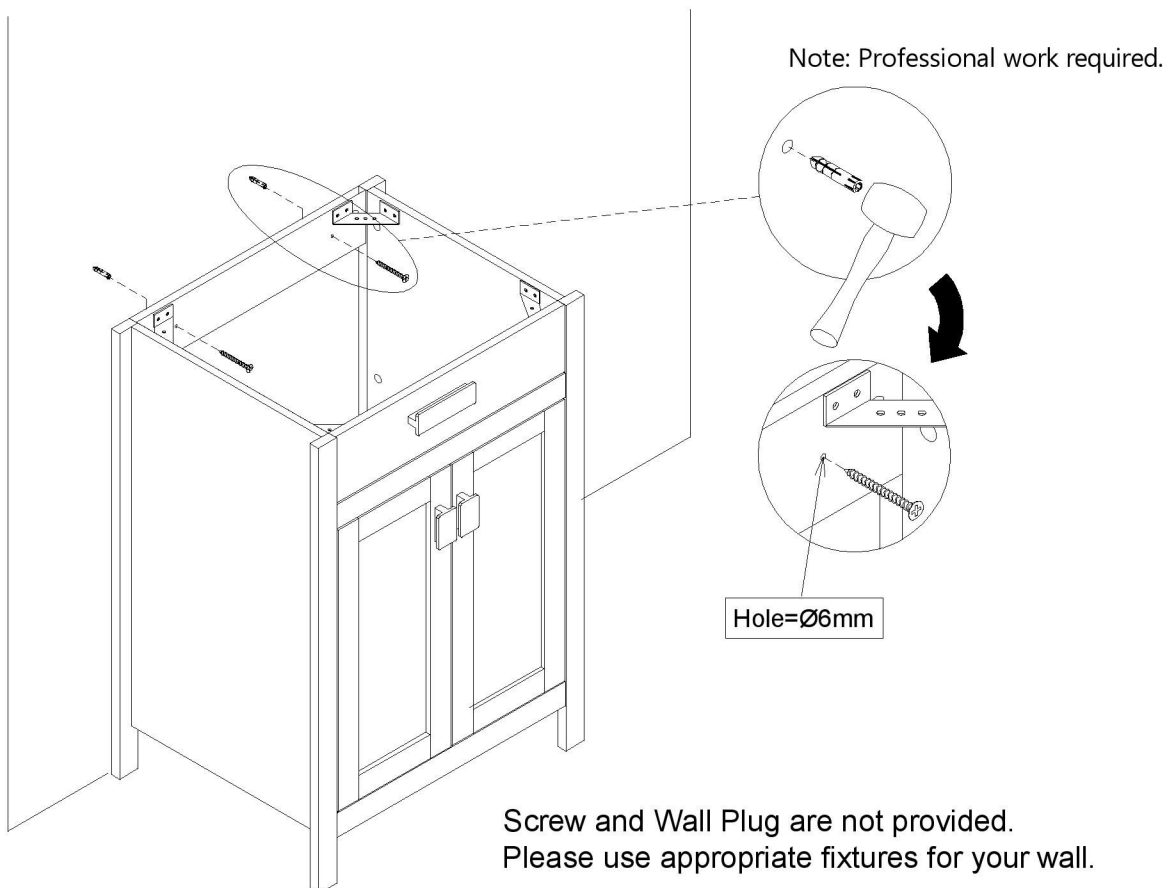
Use Screwdriver to secure the **Metal Bracket (K)** on each corner of the top portion of the Vanity Cabinet with 4 pieces of **Screw (G)**.



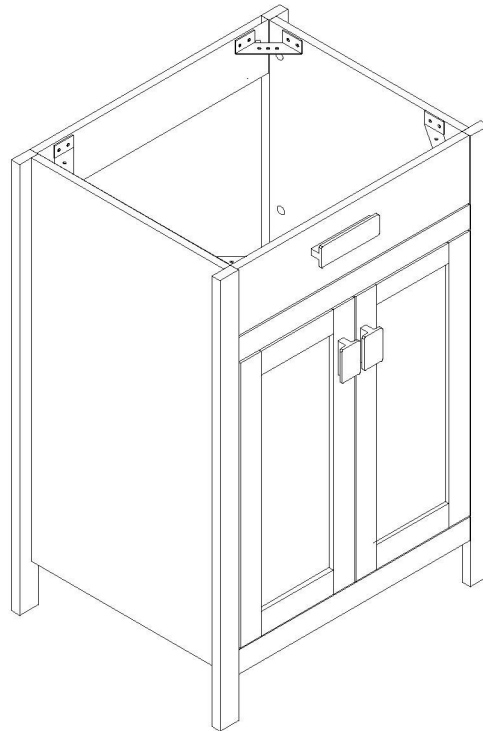
		
Gx16	Kx4	Px1

Hardware required. Screwdriver not included

STEP 18 :



STEP 19 :



Assembly is complete.

STEP 20 :

Apply a thin bead of silicone compound around the vanity base and set the vanity top carefully in place. Remove any excess silicone compound with a wet rag.

Put Rubber Pad on top 4 pieces.

