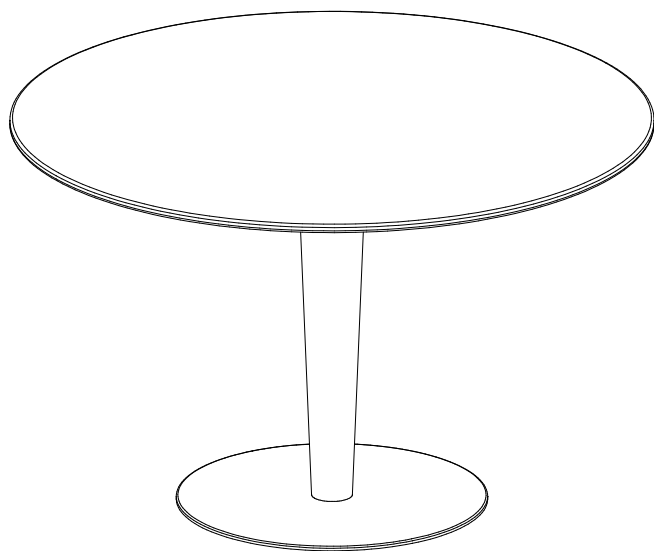


Thank you for purchasing the **MODWAY SIDE TABLE**.

Before you start, here are some helpful advice:

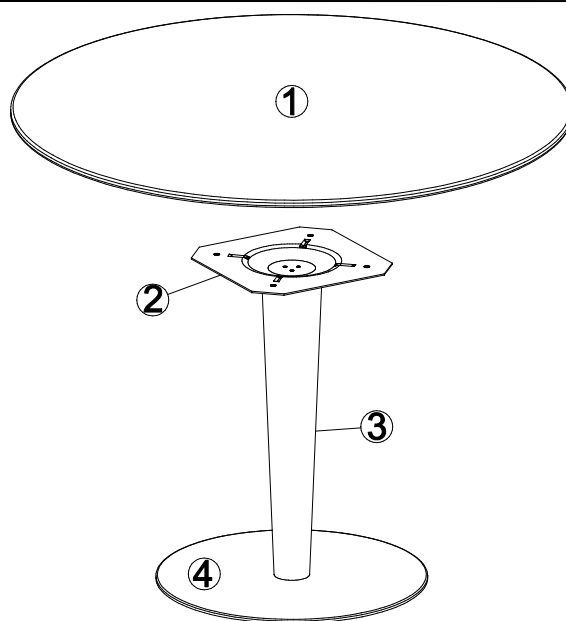
1. We suggest you spend a short time reading through this leaflet and then follow the simple step-by-step instructions.
2. Owing to the size and weight of the Top and Base, we recommend that it is assembled by two adults, on a carpeted or padded area, in the room that it is intended for. Approximate assembly time: 30 minutes.
3. Please do not use any tools other than those provided or recommended in these instructions.
4. Please do not throw away any of the packaging or the instruction until you have checked all the components and hardware and the furniture is fully assembled. Please ensure that the packaging is disposed of in a safe and environmentally friendly way.
5. Assemble all components loosely until advised to tighten. Depending on use, it may be necessary to tighten the components from time to time, so please save the tools that have been provided.
6. Please keep all pieces out of reach of children.



Hardware:

- | | | | |
|----|--|--------------|----|
| A. | | Bolt M8x30mm | x6 |
| B. | | Bolt M8x18mm | x4 |
| C. | | Flat Washer | x4 |
| D. | | Allen Wrench | x1 |

Components:

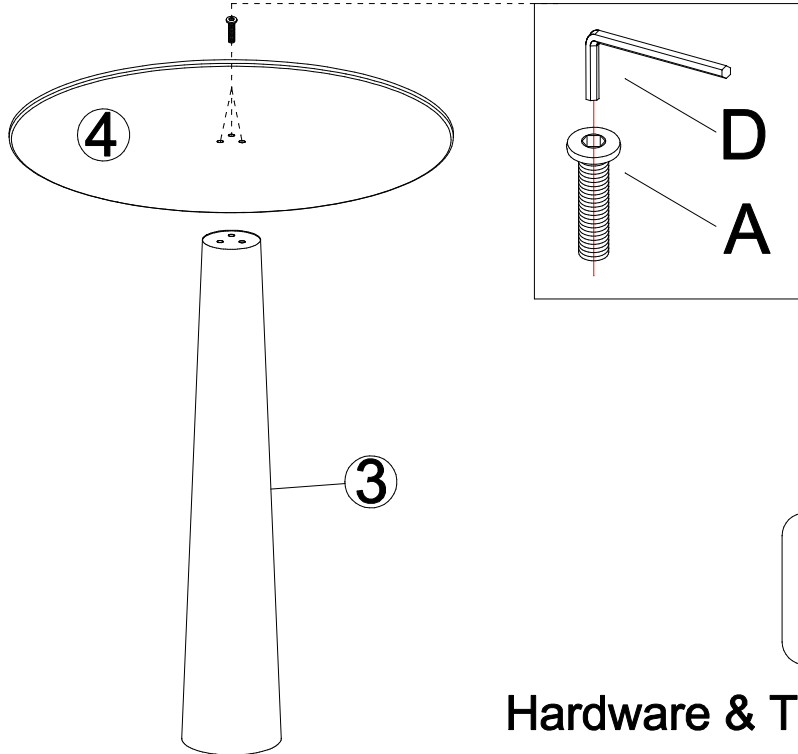


- | | | | | | | | |
|--------|----|-----------------|----|---------|----|---------|----|
| 1. Top | x1 | 2. Fixing Plate | x1 | 3. Pole | x1 | 4. Base | x1 |
|--------|----|-----------------|----|---------|----|---------|----|

TOP SKU LIST: EEI-1115, EEI-1116, EEI-1122, EEI-1123, EEI-1124, EEI-1128, EEI-1129, EEI-1136, EEI-1139, EEI-1140, EEI-1117, EEI-1118, EEI-1125, EEI-1130, EEI-1131, EEI-1137, EEI-1832, EEI-1833, EEI-1834

STEP 1:

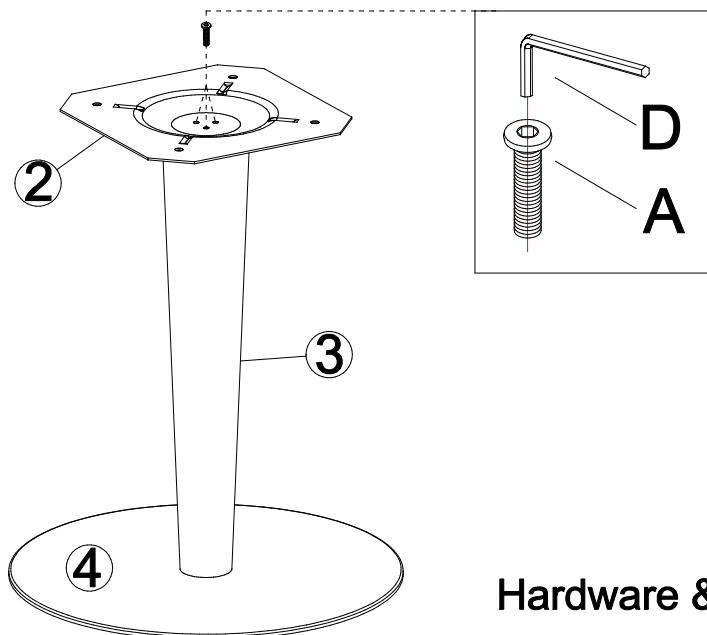
1. Take out the hardware package from the carton of **Base (4)**.
2. Adjust each three holes at the bottom of **Pole (3)** and **Base (4)** to be matched, then insert 3 pieces of **Bolts (A)** into the matched holes of the bottom of **Pole (3)** and **Base (4)** as shown.
3. Use **Allen Wrench (D)** to tighten all **Bolts (A)** clockwise as shown.



Hardware & Tools Required

STEP 2:

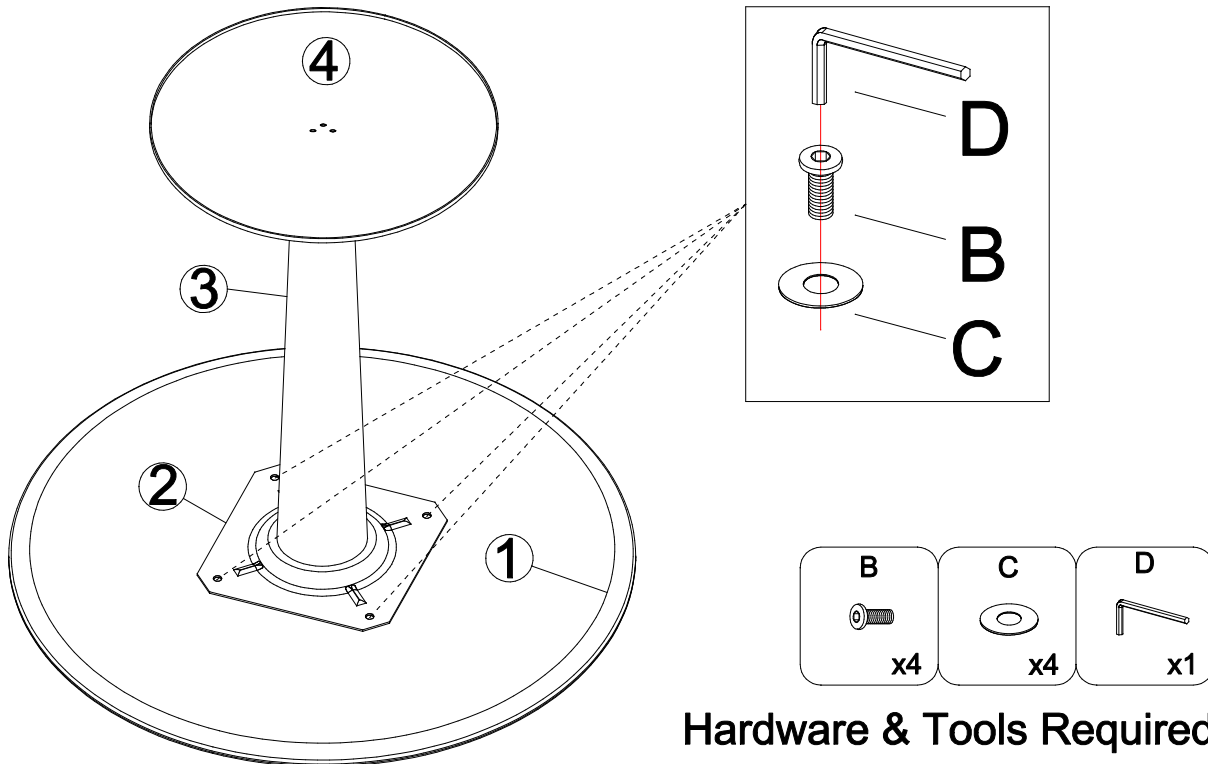
1. Carefully turn over the assembled **Pole (3)** and **Base (4)**.
2. Adjust each three holes of **Fixing Plate (2)** and **Pole (3)** to be matched, then insert 3 pieces of **Bolts (A)** into the matched holes of **Fixing Plate (2)** and **Pole (3)** as shown.
3. Use **Allen Wrench (D)** to tighten all **Bolts (A)** clockwise as shown.



Hardware & Tools Required

STEP 3:

1. Please put **Top (1)** upside down on a carpeted or padded surface.
2. Adjust each four holes of the bottom of **Top (1)** and **Fixing Plate (2)** to be matched, then insert 4 pieces of **Bolts (B)** with 4 pieces of **Flat Washers (C)** into the matched holes of the bottom of **Top (1)** and **Fixing Plate (2)** as shown.
3. Use **Allen Wrench (D)** to tighten all **Bolts (B)** clockwise as shown.



STEP 4:

Carefully turn over the assembled table.



Assembly is complete. Your table is ready to enjoy now!