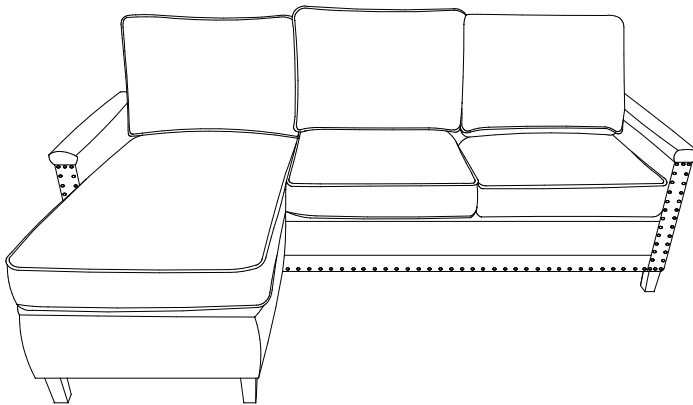


Thank you for purchasing the **MODWAY SECTIONAL SOFA**.

Before you start, here are some helpful advice:

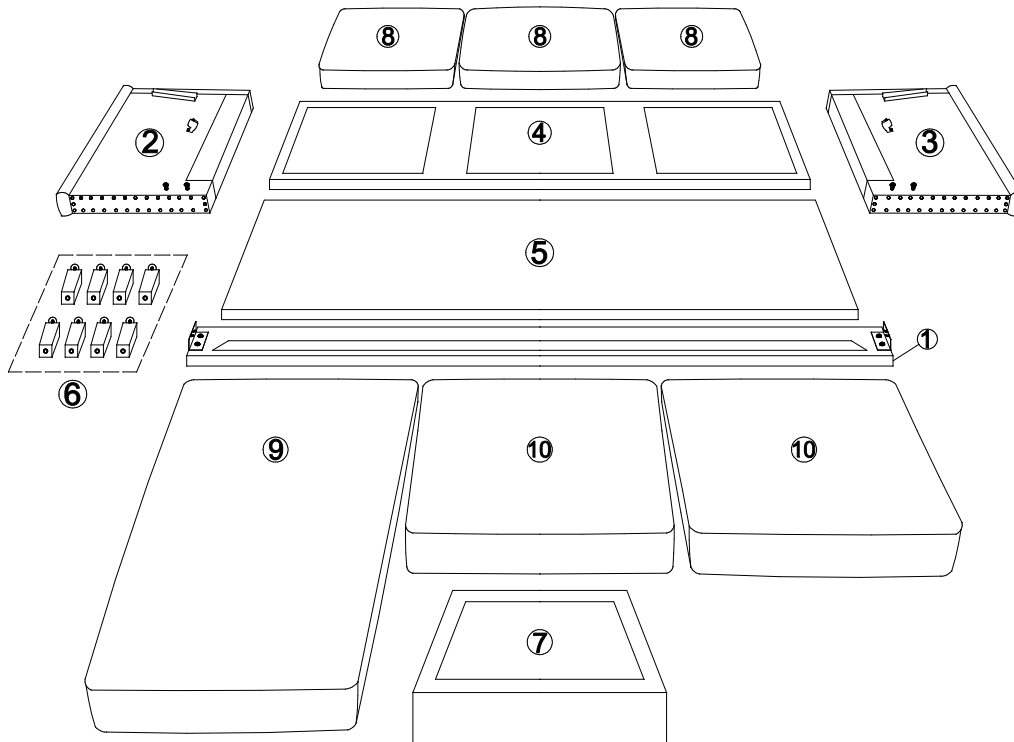
1. We suggest you spend a short time reading through this leaflet and then follow the simple step-by-step instructions.
2. Owing to the size and weight of the sofa, we recommend that it is assembled by two adults, on a carpeted or padded area, in the room that it is intended for. Approximate assembly time: 30 minutes.
3. Please do not use any tools other than those provided or recommended in these instructions.
4. Please do not throw away any of the packaging or the instruction until you have checked all the components and hardware and the furniture is fully assembled. Please ensure that the packaging is disposed of in a safe and environmentally friendly way.
5. Assemble all components loosely until advised to tighten. Depending on use, it may be necessary to tighten the components from time to time, so please save the tools that have been provided.
6. Please keep all pieces out of reach of children.



Hardware:

- | | | | |
|----|--|---------------|----|
| A. | | Bolt M6x25mm | x2 |
| B. | | Flat Washer | x2 |
| C. | | L Steel Plate | x2 |
| D. | | Allen Wrench | x1 |

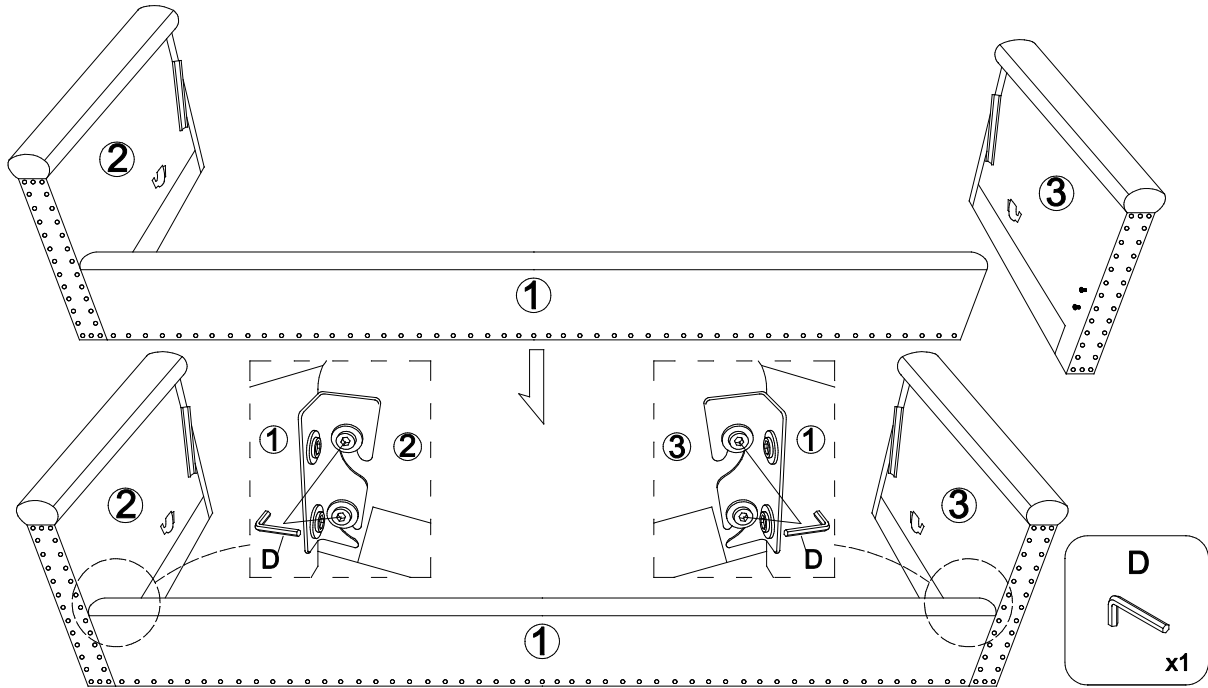
Components:



- | | | | | | | | |
|-----------------|----|-------------------------|----|------------------------|----|---------|----|
| 1. Front Rail | x1 | 2. Left Armrest | x1 | 3. Right Armrest | x1 | 4. Back | x1 |
| 5. Seat Frame | x1 | 6. Leg with Flat Washer | x8 | 7. Ottoman | x1 | | |
| 8. Back Cushion | x3 | 9. Long Seat Cushion | x1 | 10. Short Seat Cushion | x2 | | |

STEP 1:

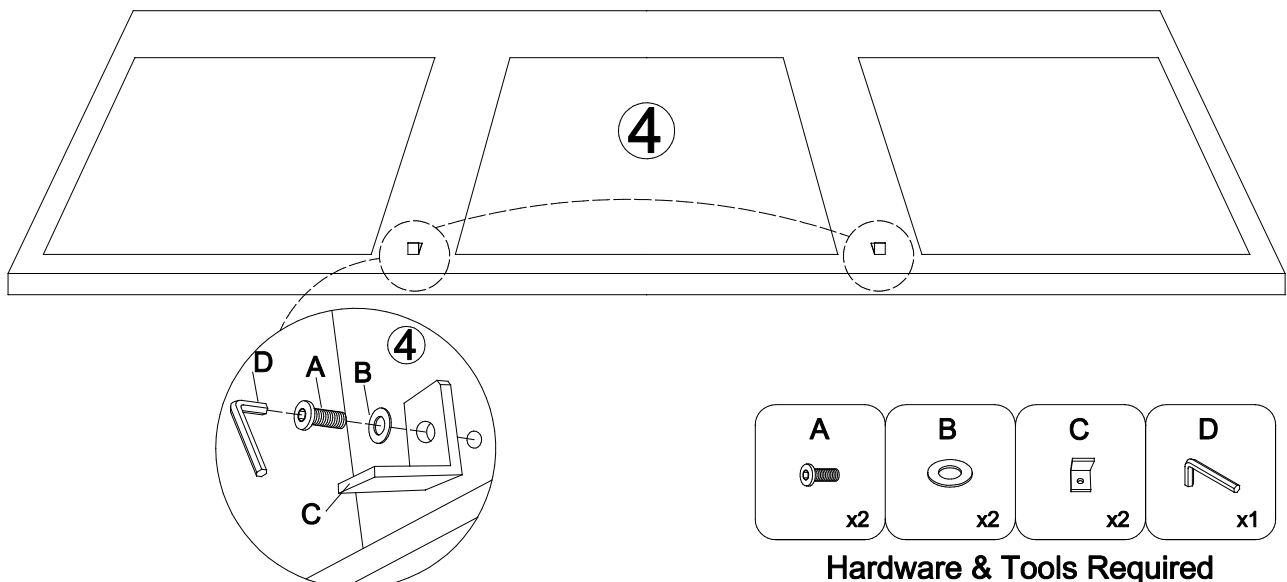
1. Remove the hardware bag from the **Leg with Flat Washer (6)** package
2. Insert **Front Rail (1)** to **Left Armrest (2)** by using the pre-installed Clips on **Front Rail (1)** and the pre-installed Bolts on **Left Armrest (2)** to lock each other as shown.
(Note: The pre-installed Bolts have been fully fastened before delivery, please loose the Bolts before assembled; When the pre-installed Bolts is half exposed, it is easily to insert the Front Rail (1)).
3. Repeat the same step for **Right Armrest (3)**.
4. Use **Allen Wrench (D)** to tighten all Bolts clockwise as shown, please do not fully secure in this step .



Hardware & Tools Required

STEP 2:

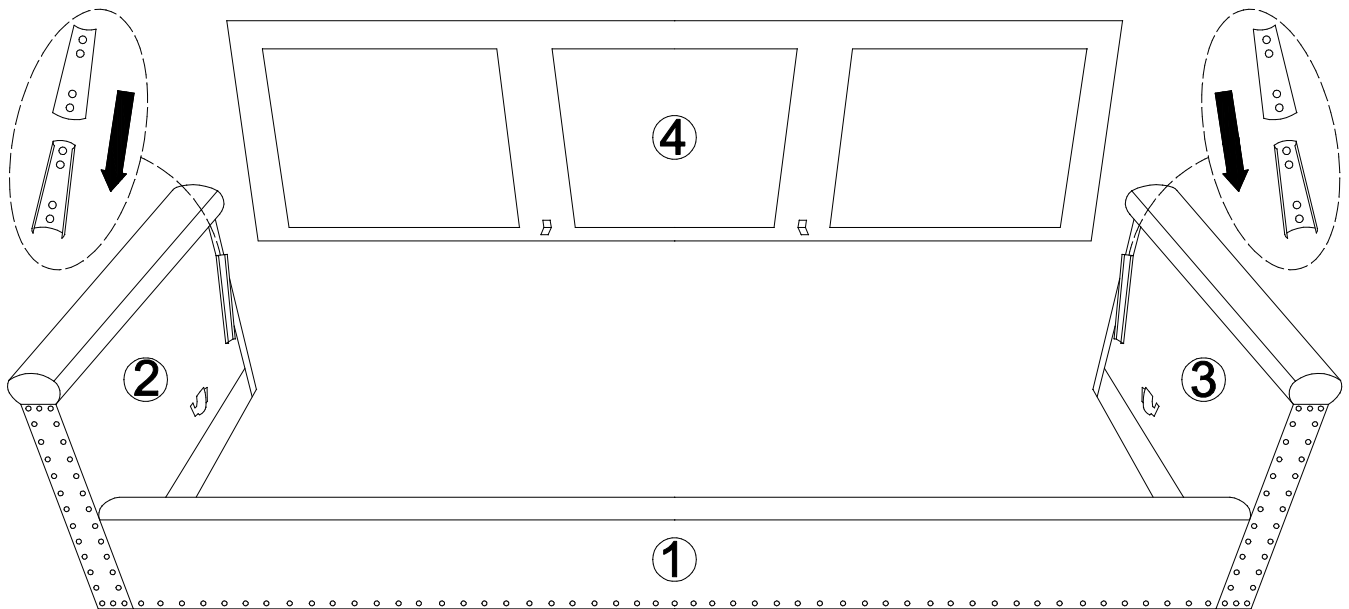
1. Please put **Back (4)** upside down on a carpeted or padded surface.
2. Put 1 piece of **L Steel Plate (C)** on the **Back (4)** as shown.
3. Insert 1 piece of **Bolt (A)** with 1 piece of **Flat Washer (B)** into the pre-drilled hole on the **Back (4)** as shown.
4. Use **Allen Wrench (D)** to tighten **Bolt (A)** clockwise until secure.
5. Repeat the same steps for the remaining 1 piece of **L Steel Plate (C)**.



Hardware & Tools Required

STEP 3:

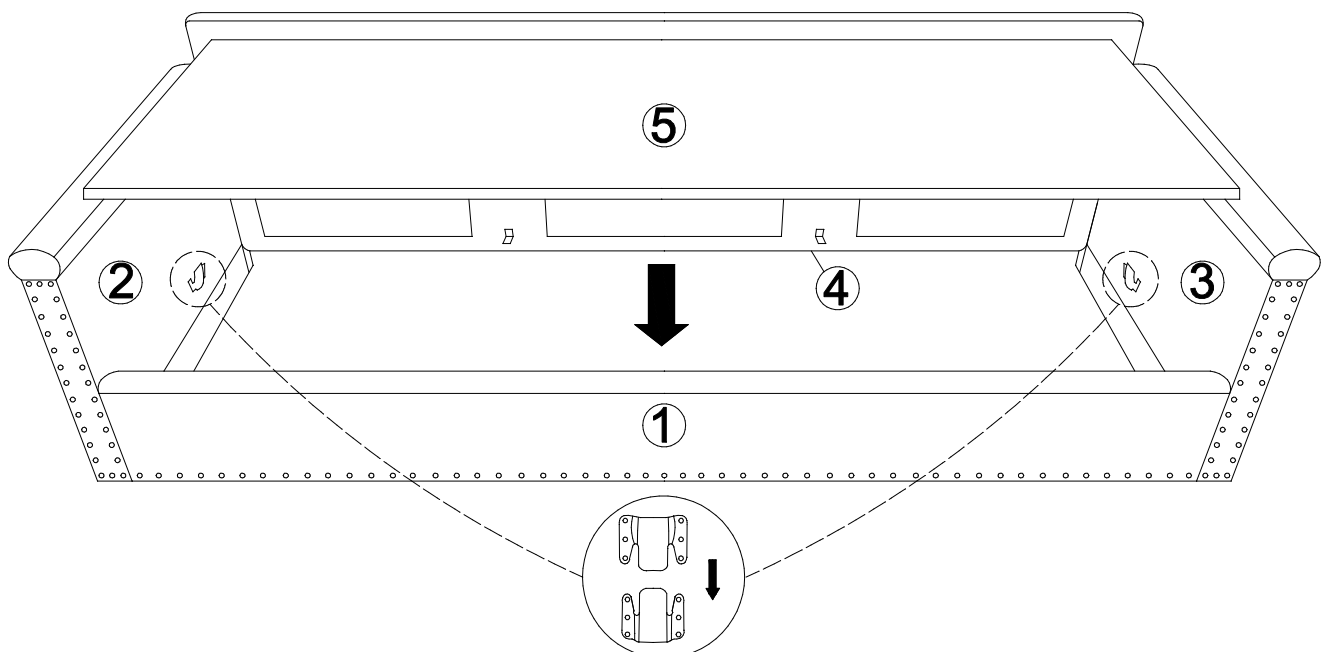
Insert **Back (4)** to **Left Armrest (2)** and **Right Armrest (3)** by using the pre-installed Clips on **Left Armrest (2)**, **Right Armrest (3)** and **Back (4)** to lock each other as shown.



STEP 4:

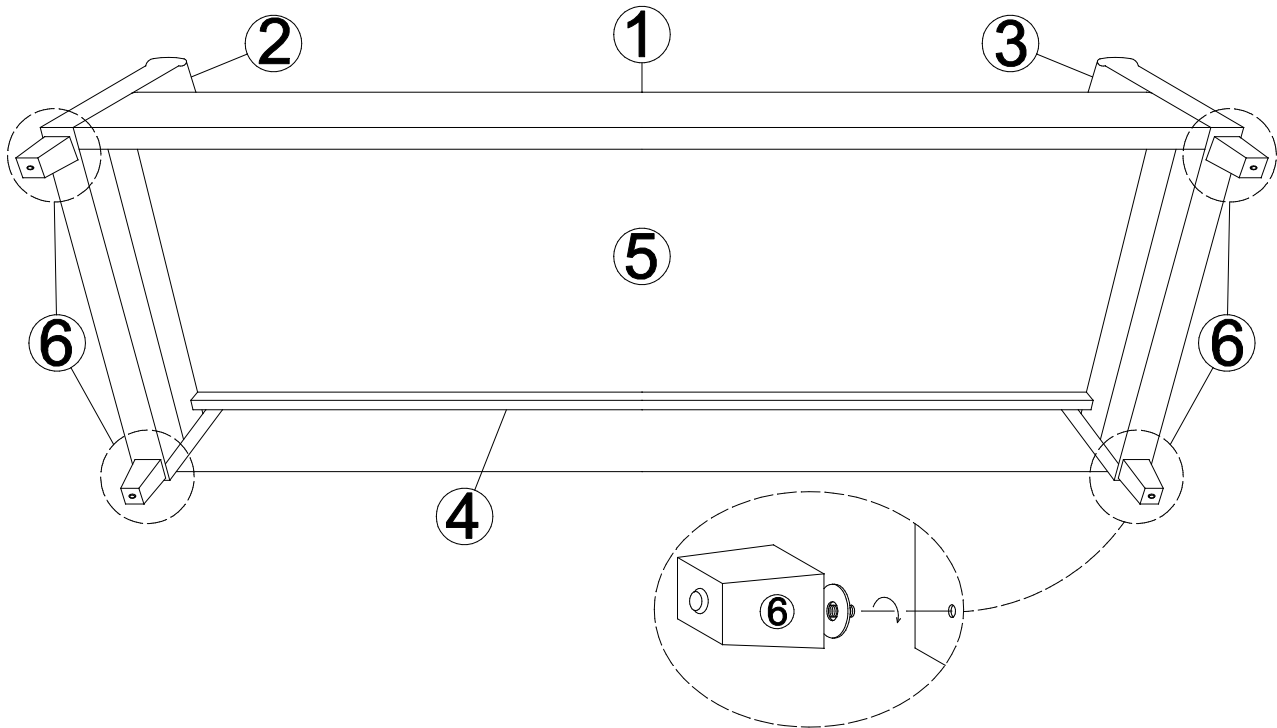
1. Insert **Seat Frame (5)** to the assembled **Sofa Seat (1)**, **Left Armrest (2)**, **Right Armrest (3)** and **Back (6)** by using the pre-installed Clips on **Seat Frame (5)**, **Left Armrest (2)** and **Right Arm (3)** to lock each other as shown.

2. Use **Allen Wrench (D)** to tighten all Bolts clockwise until secure of Step 1.



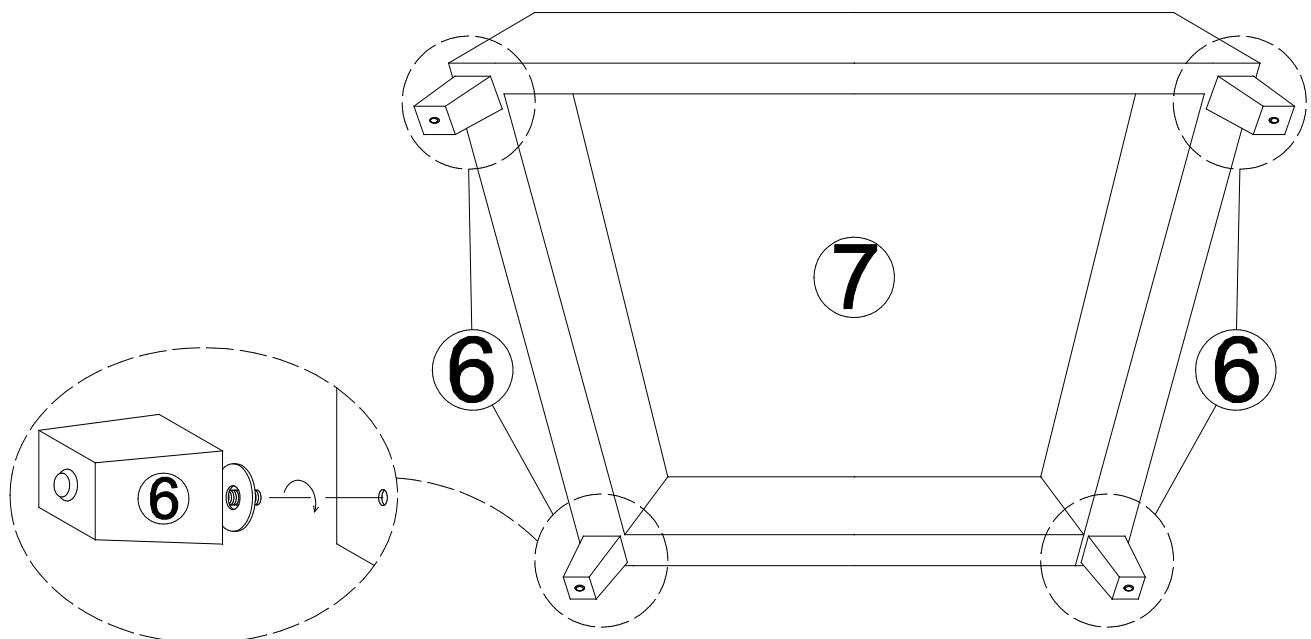
STEP 5:

1. Please put the assembled sofa upside down on a carpeted or padded surface.
2. Tighten 4 pieces of **Legs with Flat Washers (6)** to the **Left Armrest (2)** and **Right Armrest (3)** clockwise as shown by hand.



STEP 6:

1. Please put the **Ottoman (7)** upside down on a carpeted or padded surface.
2. Tighten 4 pieces of **Legs with Flat Washers (6)** to **Ottoman (7)** clockwise as shown by hand.



STEP 7

1. Open the compressed bags with scissors and take out 3 pieces of **Back Cushions (8)**, 1 piece of **Long Seat Cushion (9)** and 2 pieces of **Short Seat Cushions (10)** as shown with Figure 1 and follow **Compressed Packing Guideline** for restoring.

Note: Please skip STEP 5.2/5.3/5.4 if you assemble EEI-4994 now.

2. Please put **Covers of Back Cushions (8)** on a carpeted or padded area and fully open the zippers as shown.
3. Insert **Foams** into **Covers of Back Cushion (8)** until the **Foams** are fully embedded into the **Covers** and zip up the **Covers** as shown.
4. Repeat the same steps for the remaining **Long Seat Cushion (9)** and **Short Seat Cushions (10)**.

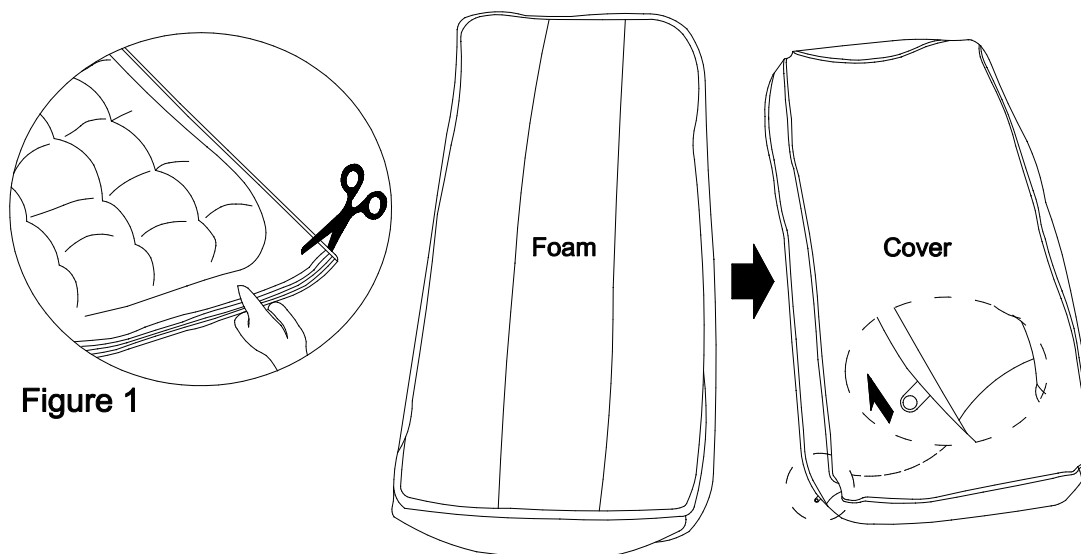
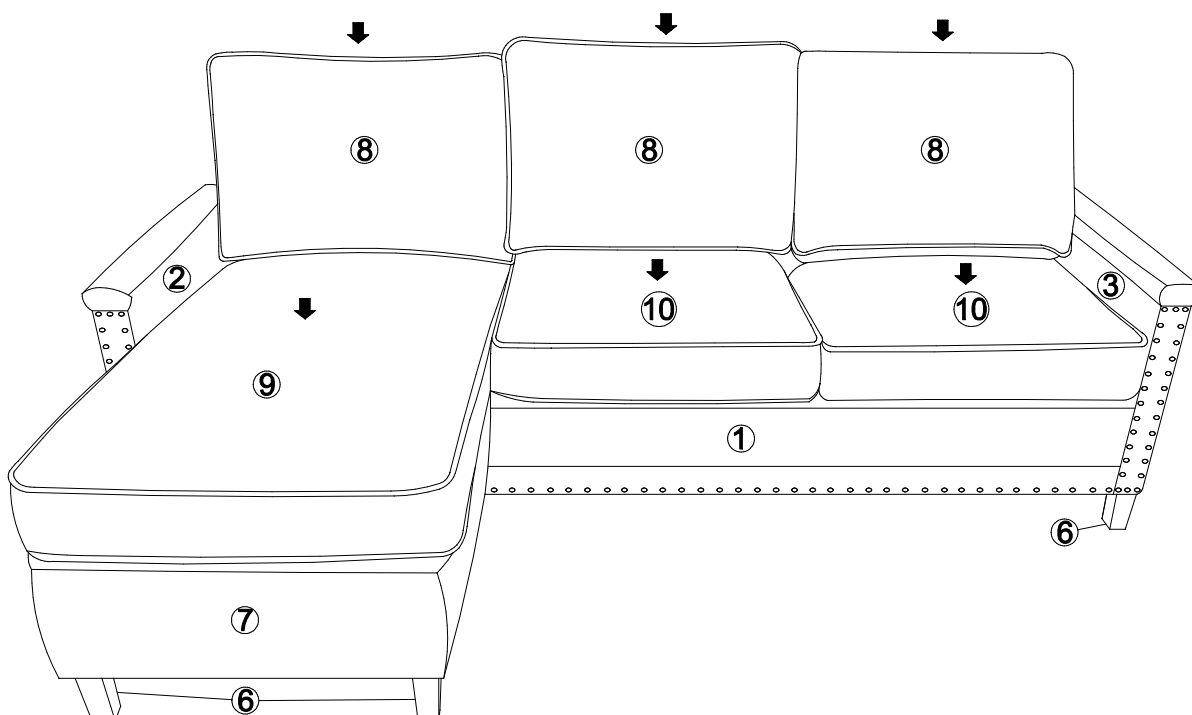


Figure 1

STEP 7

1. Carefully turn over the assembled sofa and ottoman.
2. Carefully put 3 pieces of **Back Cushions (8)**, 1 piece of **Long Seat Cushion (9)** and 2 pieces of **Short Seat Cushions (10)** to the assembled sectional sofa as shown.



Assembly is complete. Your sectional sofa is ready to enjoy now!