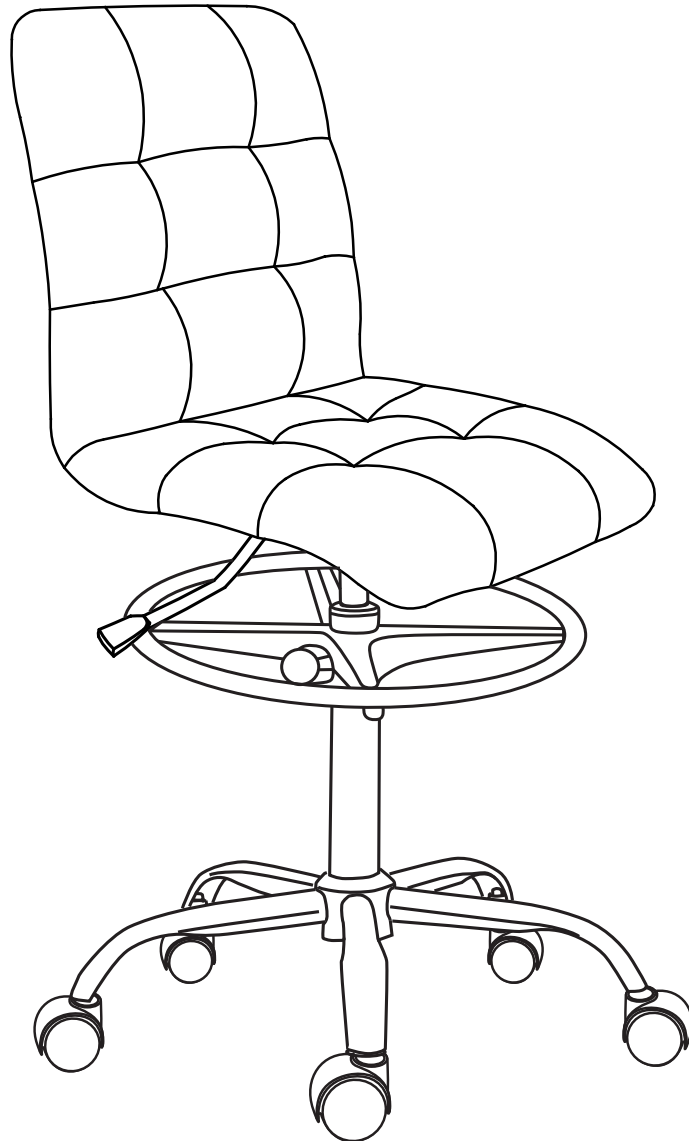


# ASSEMBLY INSTRUCTIONS

# EEI-4977/4979/4981

V1.04.05.23



**Questions? Contact us!**

609.256.9000 • [cs@modway.com](mailto:cs@modway.com)  
[www.modway.com](http://www.modway.com)

\*modway



Read through all of the instructions before starting



Care instructions are listed in the last step of this manual



Approx. 30 minutes assembly time



Make sure you have all parts and components before discarding any packing materials



2 people recommended for assembly

**Only use hand tools to assemble this item.** Do not use power tools. Do not tighten bolts or screws completely until all hardware is lined up and inserted into the holes.

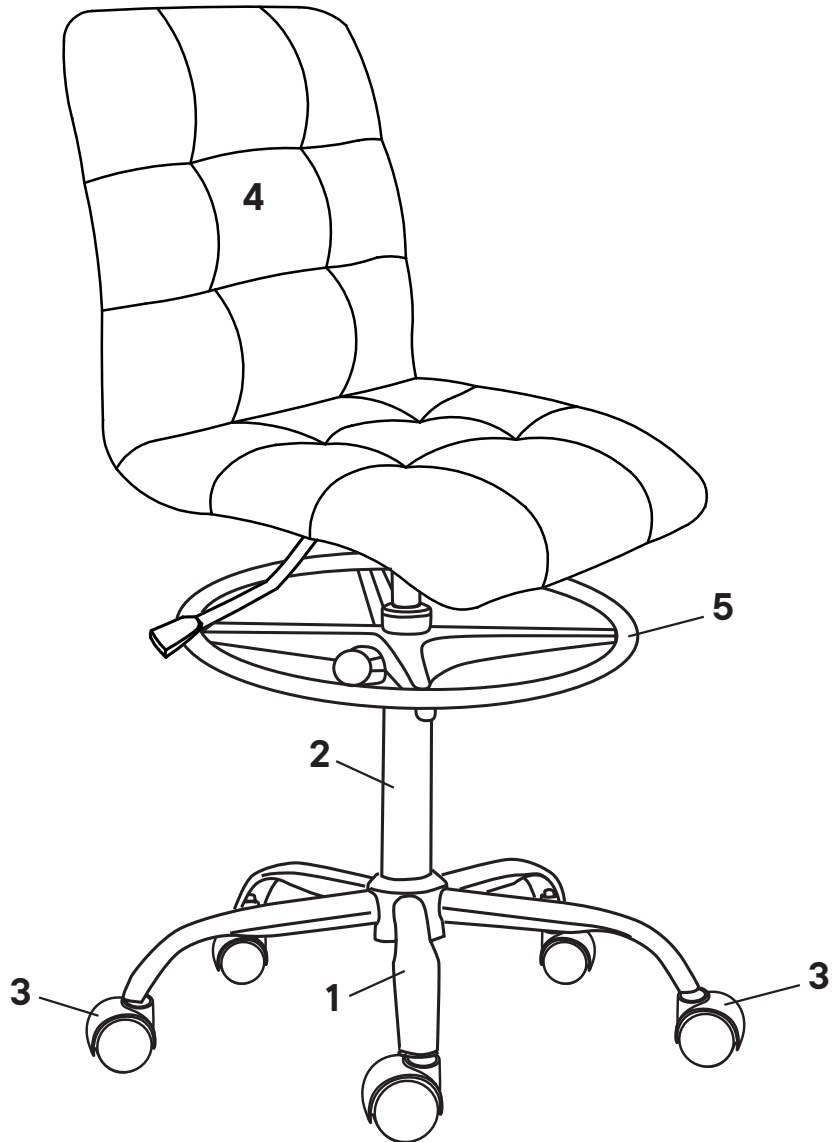
Do not over-tighten screws and bolts to avoid stripping the hardware or cracking the item.

Assemble your item on a flat, carpeted area, with plenty of space to work. This will prevent damage and scratches to your floors or the item while you're assembling the product.

Keep all components and packaging out of reach of children or animals to avoid risk of choking or suffocation.

## Furniture components:

1 Base	x1
2 Cylinder Column	x1
3 Castor	x5
4 Back With Control Mechanism	x1
5 Foot Ring	x1



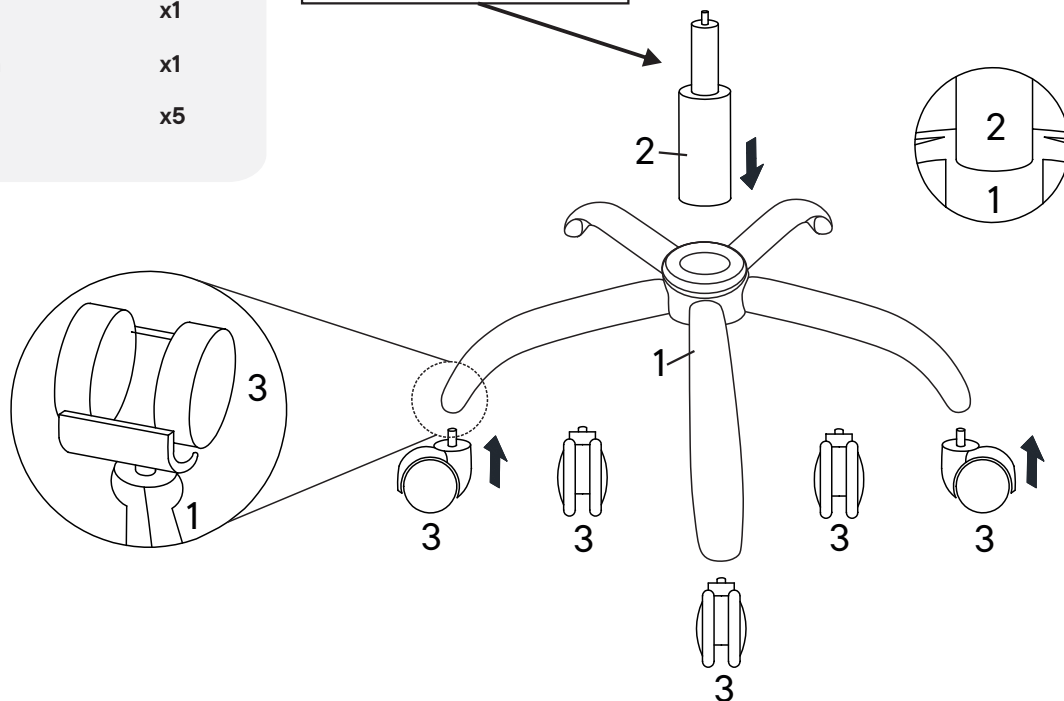
**Wait!**

Missing parts or hardware? Need assistance?  
Contact us before returning your item. We're here to help!  
609.256.9000 • [cs@modway.com](mailto:cs@modway.com)

# Step 1

## COMPONENTS

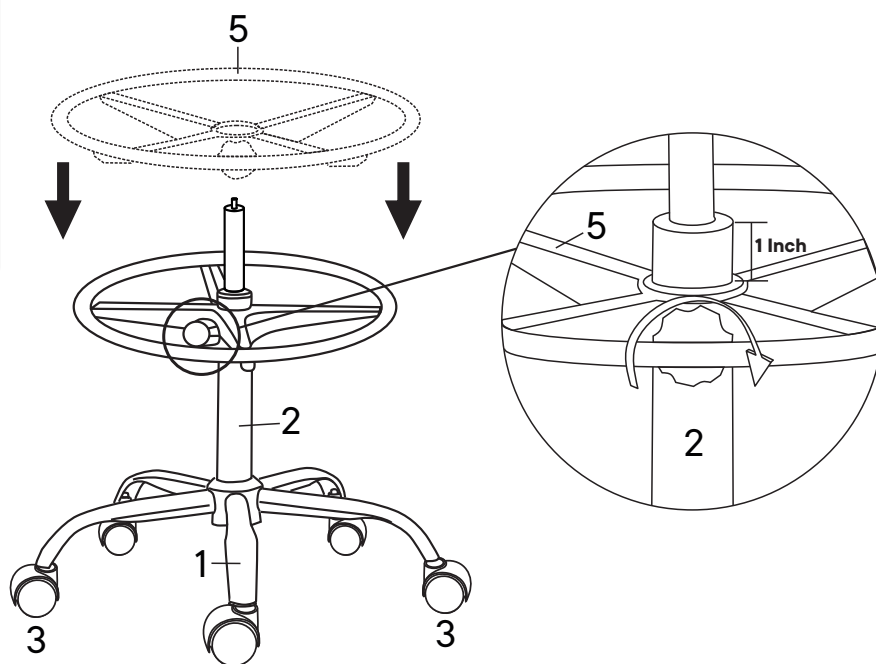
- 1 Base x1
- 2 Cylinder Column x1
- 3 Castor x5



# Step 2

## COMPONENTS

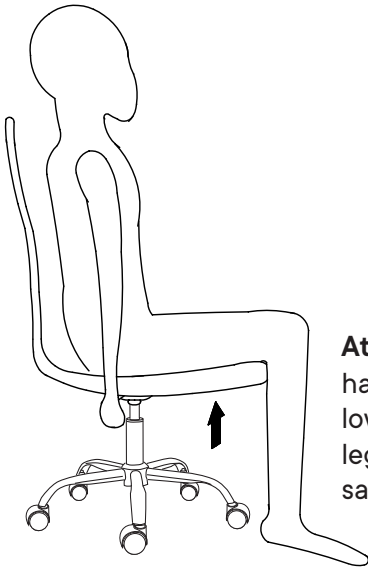
- 1 Base x1
- 2 Cylinder Column x1
- 3 Castor x5
- 5 Foot Ring x1



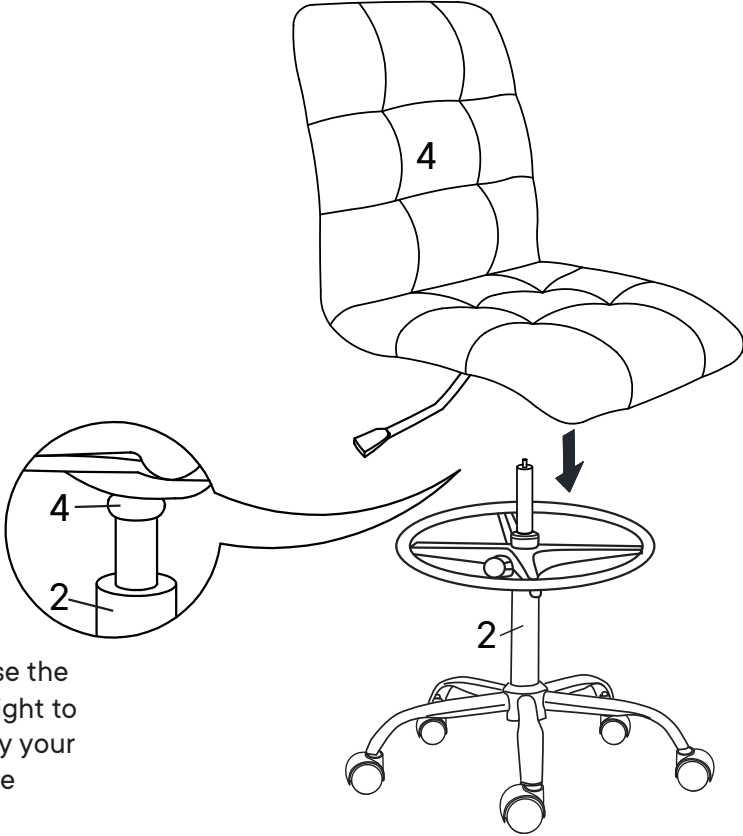
# Step 3

### COMPONENTS

- 2 Cylinder Column x1
- 4 Back With Control Mechanism x1



**Attention:** When you use the handle to adjust the height to lower, please move away your legs from the base at the same time.



# Great job!

Your office chair is complete and ready to enjoy.

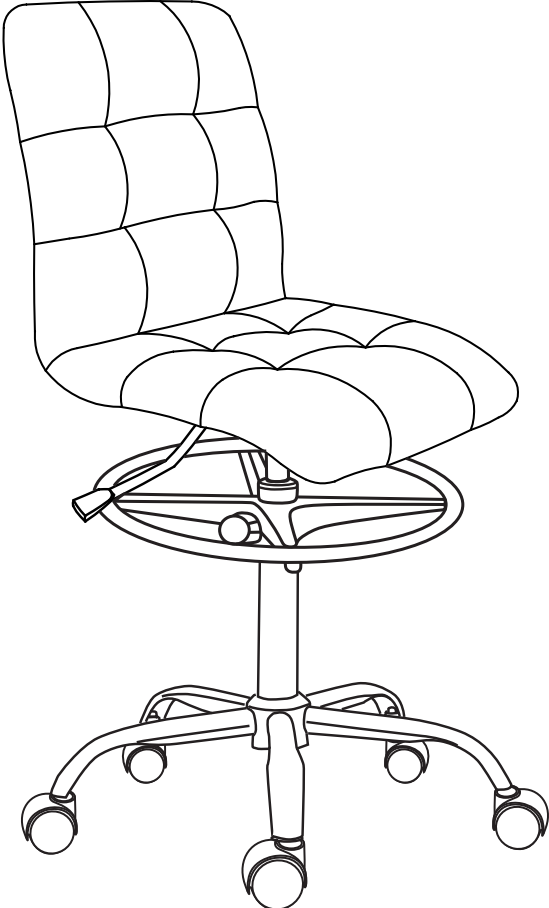
### ♥ CARING FOR YOUR ITEM

Indoor use only.

Not contract grade.

Clean using a non-abrasive cloth and a mild cleaner.

Never use harsh chemicals, as they could damage the finish or integrity of the item.



### CONNECT WITH US!

Tag us @modway\_furniture and #modway for a chance to be featured.