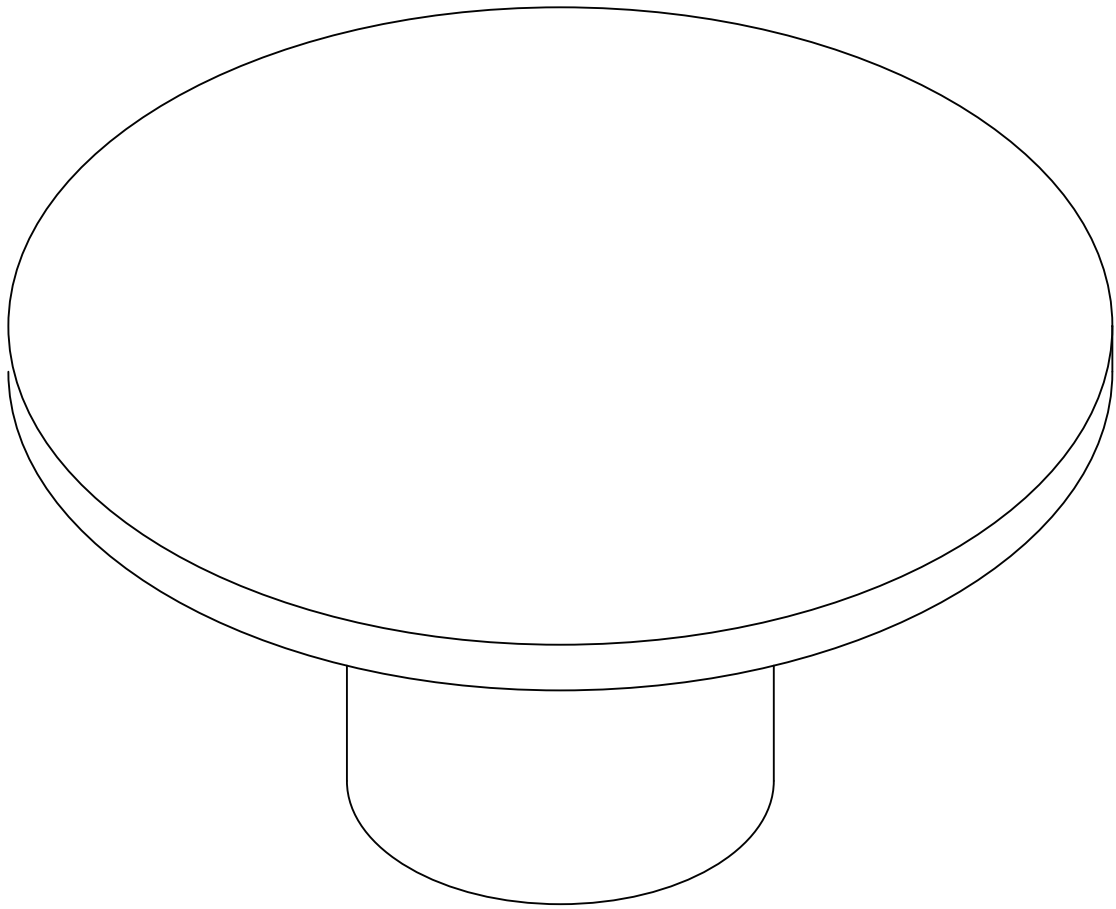


ASSEMBLY INSTRUCTIONS

EEI-4910/4911

V1.06.06.22



Questions? Contact us!

609.256.9000 • cs@modway.com
www.modway.com

*modway



Read through all of the instructions before starting



Care instructions are listed in the last step of this manual



Approx. 60 minutes assembly time



Make sure you have all parts and components before discarding any packing materials



2 people recommended for assembly

Only use hand tools to assemble this item. Do not use power tools. Do not tighten bolts or screws completely until all hardware is lined up and inserted into the holes.

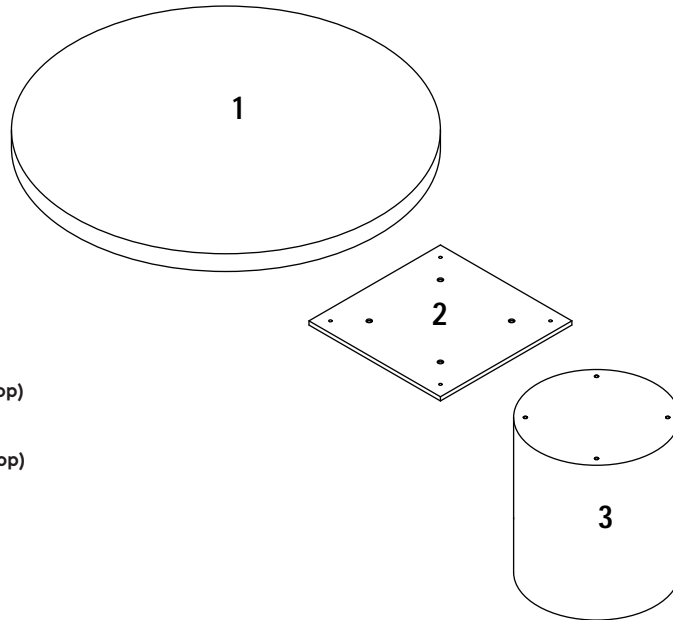
Do not over-tighten screws and bolts to avoid stripping the hardware or cracking the item.

Assemble your item on a flat, carpeted area, with plenty of space to work. This will prevent damage and scratches to your floors or the item while you're assembling the product.

Keep all components and packaging out of reach of children or animals to avoid risk of choking or suffocation.

Furniture components:

1	Top	x1
2	Mounting plate	x1
3	Base	x1



Provided hardware:

A		Bolt M8 x 40mm	x8 (4 PCS fixed with top)
B		Flat Washer M8 x 20mm	x8 (4 PCS fixed with top)
C		Allen Key M5	x1

Wait!

Missing parts or hardware? Need assistance?
Contact us before returning your item. We're here to help!
609.256.9000 • cs@modway.com

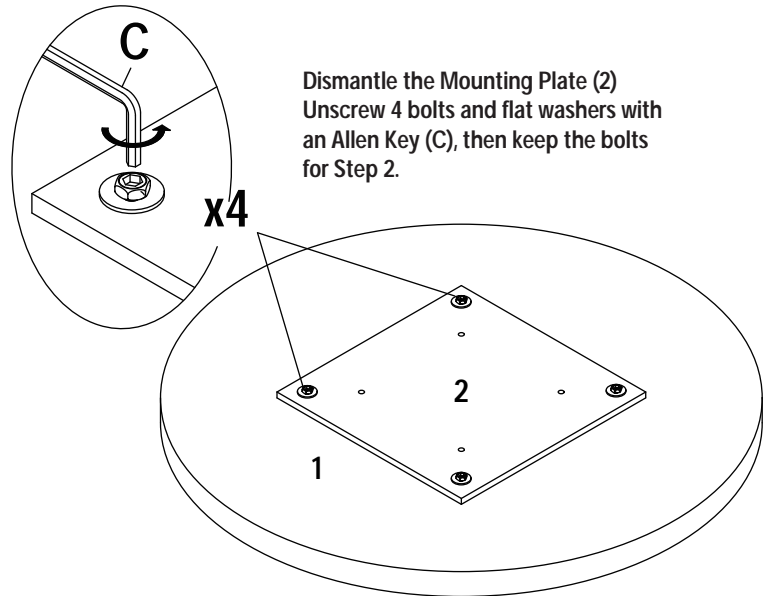
Step 1

HARDWARE

- C** Allen Key M5 x1

COMPONENTS

- 1** Top x1
- 2** Mounting plate x1



Dismantle the Mounting Plate (2)
Unscrew 4 bolts and flat washers with
an Allen Key (C), then keep the bolts
for Step 2.

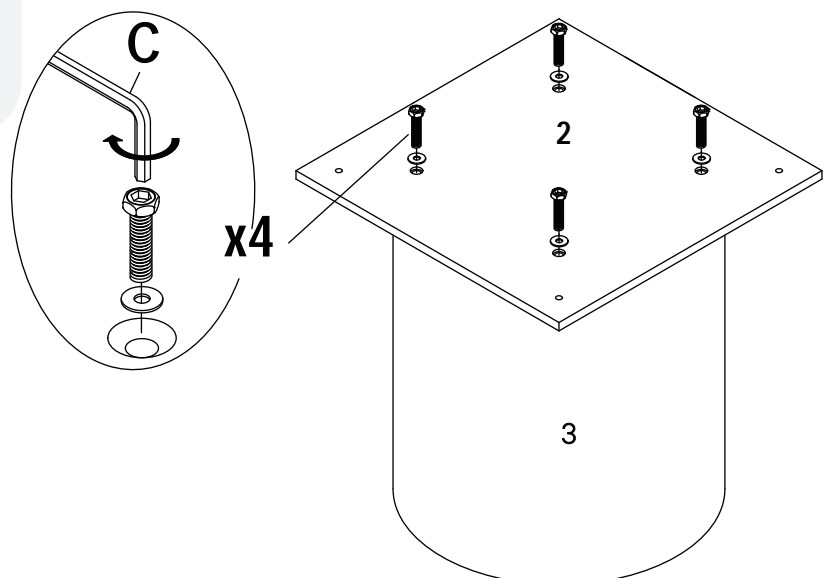
Step 2

HARDWARE

- A** Bolt M8 x 40mm x4
- B** Flat Washer M8 x 20mm x4
- C** Allen Key M5 x1

COMPONENTS

- 2** Mounting plate x1
- 3** Base x1



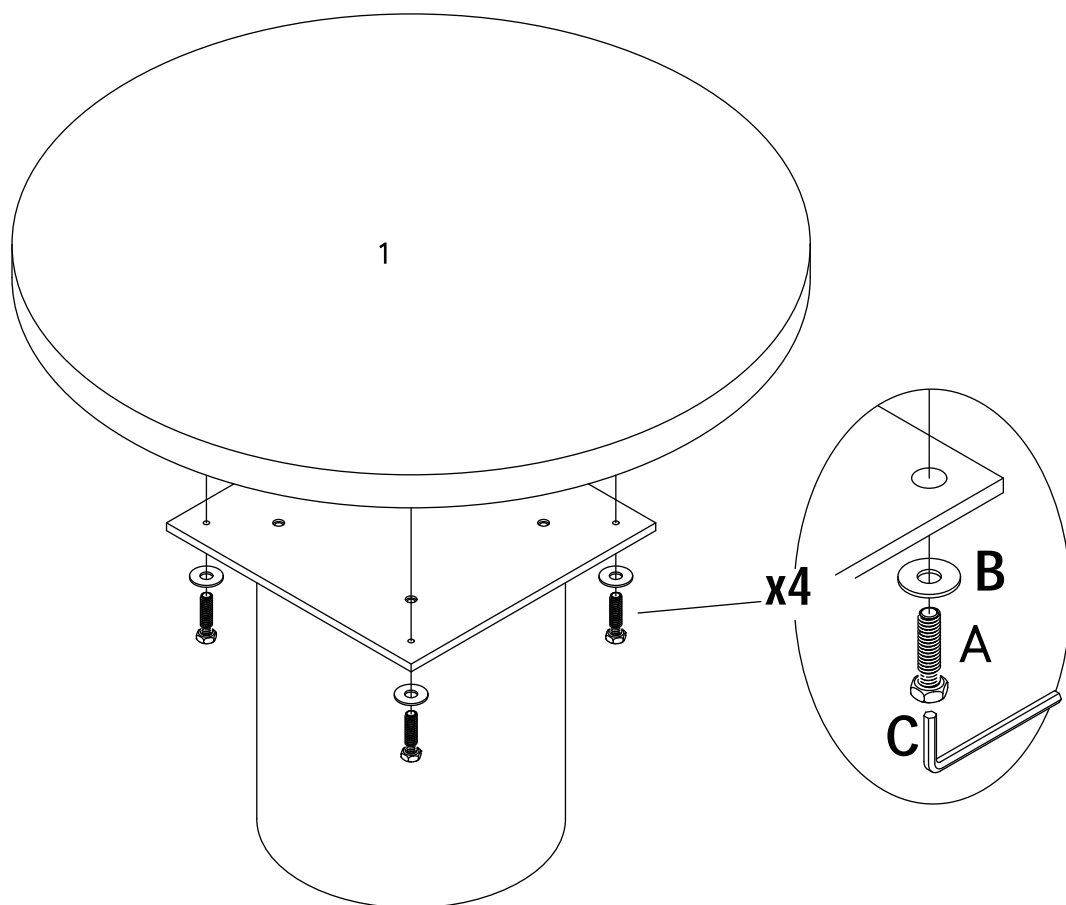
Step 3

HARDWARE

- | | | |
|----------|-----------------------|----|
| A | Bolt M8 x 40mm | x4 |
| B | Flat Washer M8 x 20mm | x4 |
| C | Allen Key M5 | x1 |

COMPONENTS

- | | | |
|----------|-----|----|
| 1 | Top | x1 |
|----------|-----|----|



Great job!

Dining Table assembly is complete

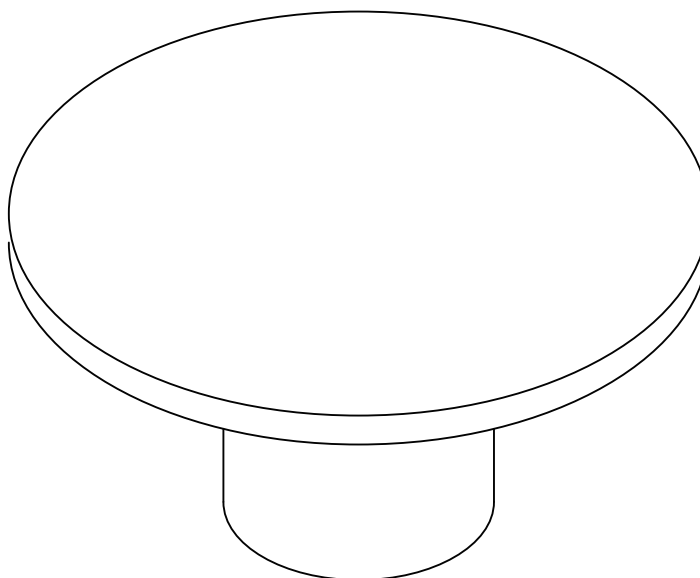
♥ CARING FOR YOUR ITEM

Indoor use only.

Not contract grade.

Clean using a non-abrasive cloth and a mild cleaner.

Never use harsh chemicals, as they could damage the finish or integrity of the item.



CONNECT WITH US!   

Tag us [@modway_furniture](#) and [#modway](#) for a chance to be featured.