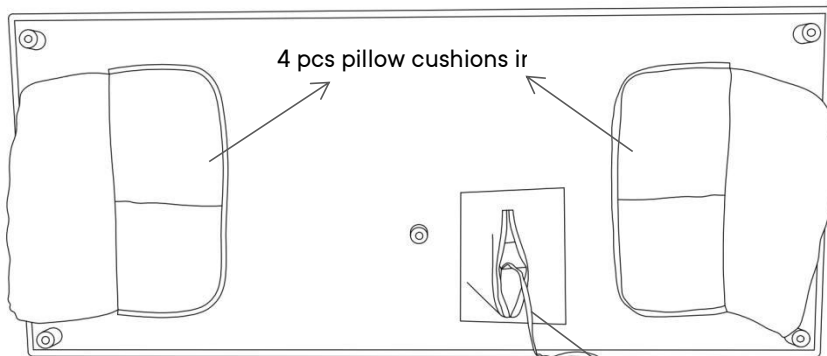
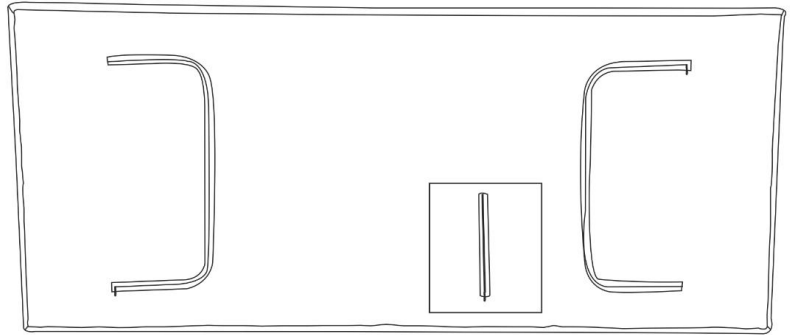


Step 1

- 4 Sofa Body x1
- 5 x4
- 6 Middle Leg x1



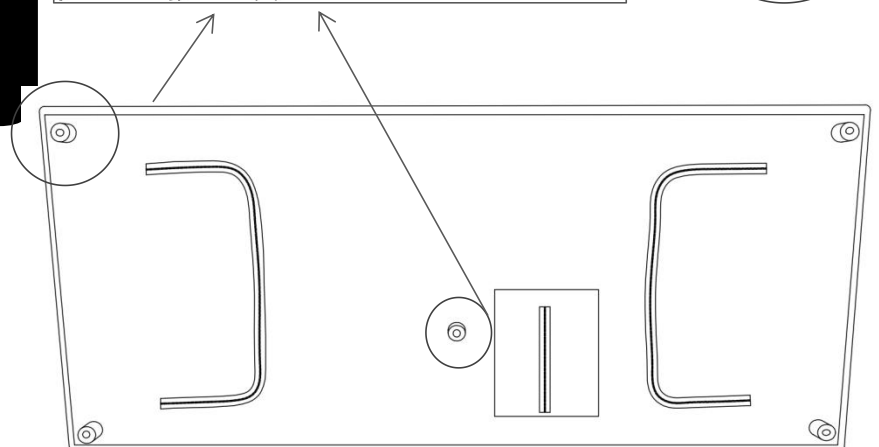
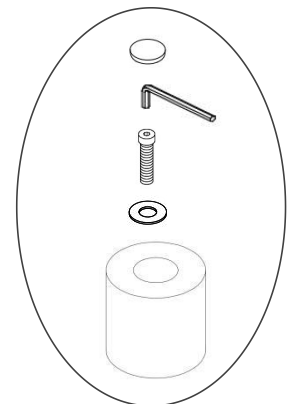
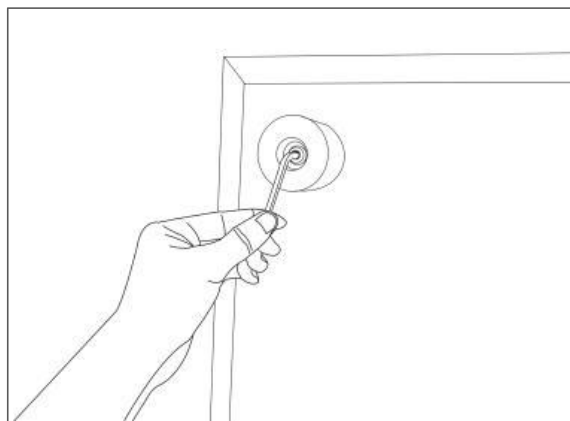
4 pcs pillow cushions ir

Unzip the bottom facing pocket to locate 4pcs Corner Legs (5), Middle leg (6) , Pillow cushions(2) & hardware pack.

corner legs, middle leg and hardware inside

Step 2

- A Bolt M8x60mm
 - B Flat Washers
 - C Allen Wrench M8
 - D
-
- 4 Leg
 - 5 Middle Leg

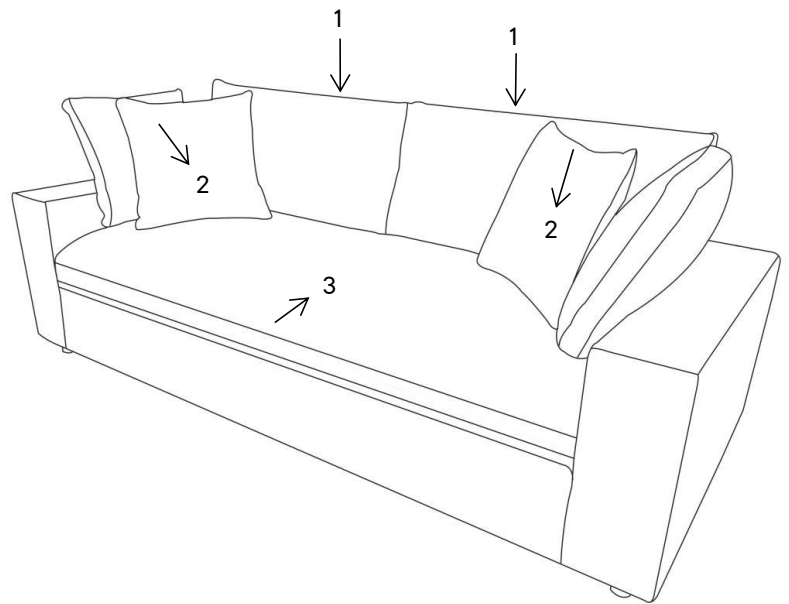
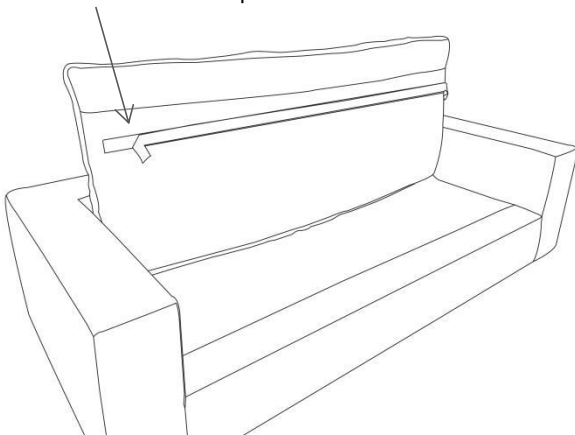


Step 3

COMPONENTS

- 1 Back Cushion x2
- 2 Pillow Cushion x4
- 3 Seat Cushion X1

Note: Please remove the protection film on the velcro.



Great job!

Your sofa is complete and ready to enjoy.

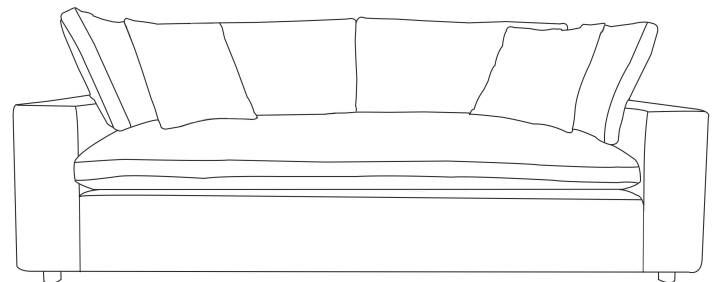
♥ CARING FOR YOUR ITEM

Indoor use only.

Not contract grade.

Spot clean using a non-abrasive cloth and a mild cleaner.

Never use harsh chemicals, as they could damage the finish or integrity of the item.



CONNECT WITH US!



Tag us **@modway_furniture** and **#modway** for a chance to be featured.