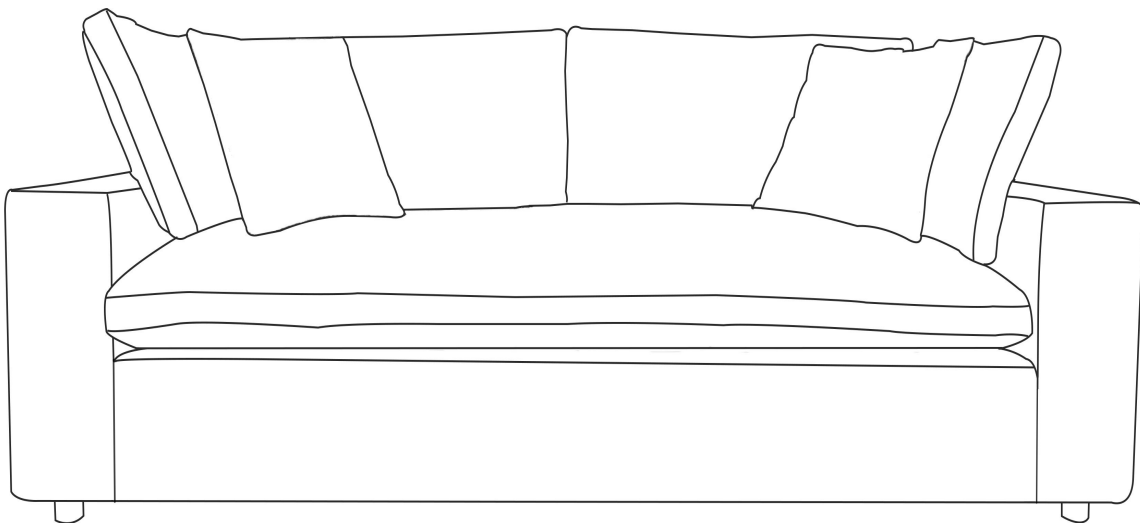


# ASSEMBLY INSTRUCTIONS

# EEI-4859

V 28.03.23



## Questions? Contact us!

609.256.9000 • [cs@modway.com](mailto:cs@modway.com)  
[www.modway.com](http://www.modway.com)

\*modway

# Let's get started!

\*modway



Read through all of the instructions before starting



Care instructions are listed in the last step of this manual



Approx. 30 minutes assembly time



Make sure you have all parts and components before discarding any packing materials



2 people recommended for assembly

Only use hand tools to assemble this item. Do not use power tools. Do not tighten bolts or screws completely until all hardware is lined up and inserted into the holes.

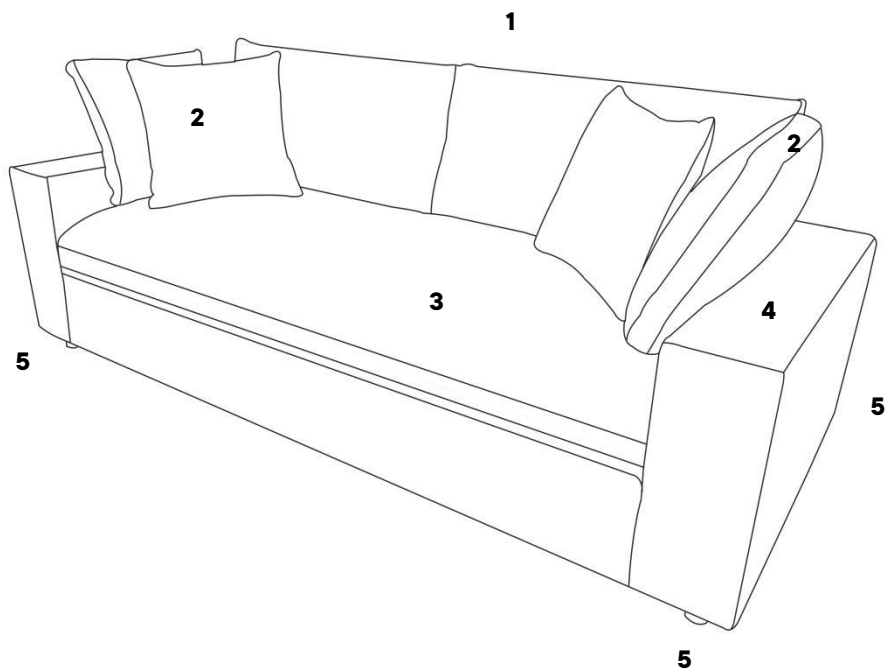
Do not over-tighten screws and bolts to avoid stripping the hardware or cracking the item.

Assemble your item on a flat, carpeted area, with plenty of space to work. This will prevent damage and scratches to your floors or the item while you're assembling the product.

Keep all components and packaging out of reach of children or animals to avoid risk of choking or suffocation.

## Furniture components:

1	Back Cushion	x2
2	Pillow Cushion	x4
3	Seat Cushion	x1
4	Sofa Body	x1
5	Corner Leg	x4



## Provided hardware:

A		Bolt M8x60mm	x4
B		Flat Washer	x4
C		Allen Wrench M8	x1
D		Felt Pad	x4

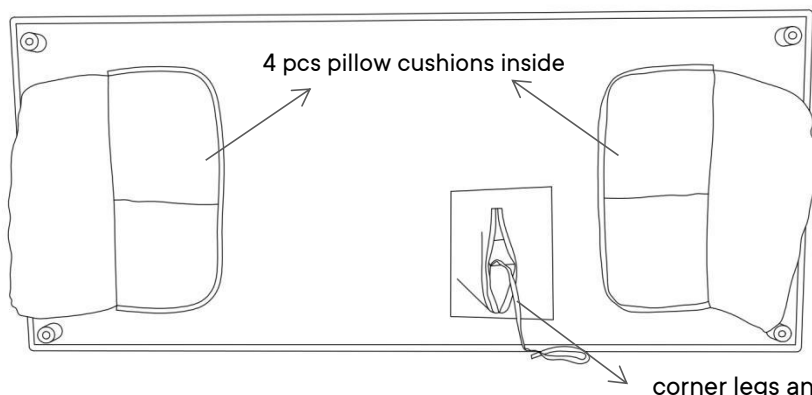
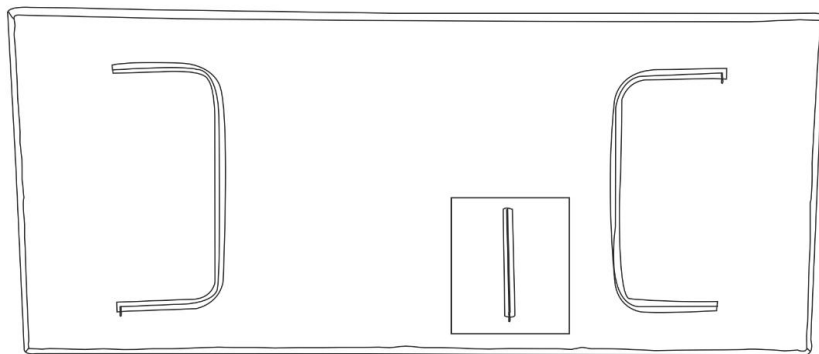
Wait!

Missing parts or hardware? Need assistance?  
Contact us before returning your item. We're here to help!  
609.256.9000 • [cs@modway.com](mailto:cs@modway.com)

# Step 1

## COMPONENTS

- 4** Sofa Body x1
- 5** Corner Leg x4



Unzip the bottom facing pocket to locate 4pcs Corner Legs (5), Pillow cushions(2) & hardware pack.

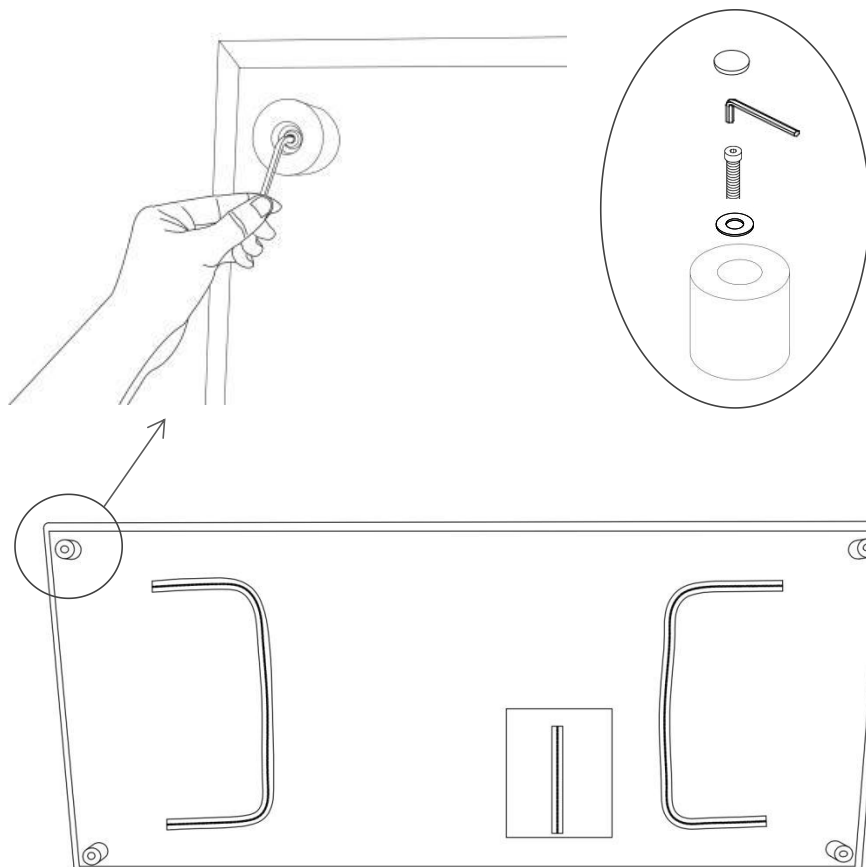
# Step 2

## HARDWARE

- A** Bolt M8x60mm x4
- B** Flat Washers x4
- C** Allen Wrench M8 x1
- D** Felt Pad x4

## COMPONENTS

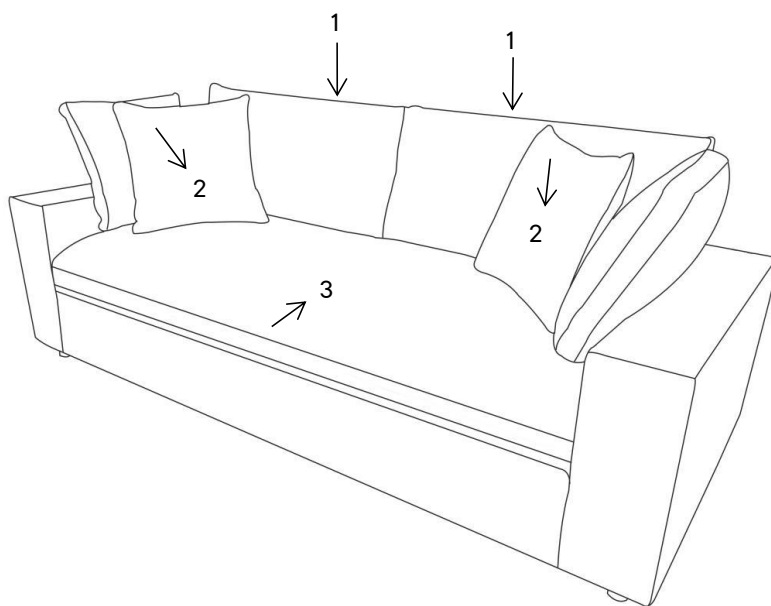
- 5** Corner Leg x4



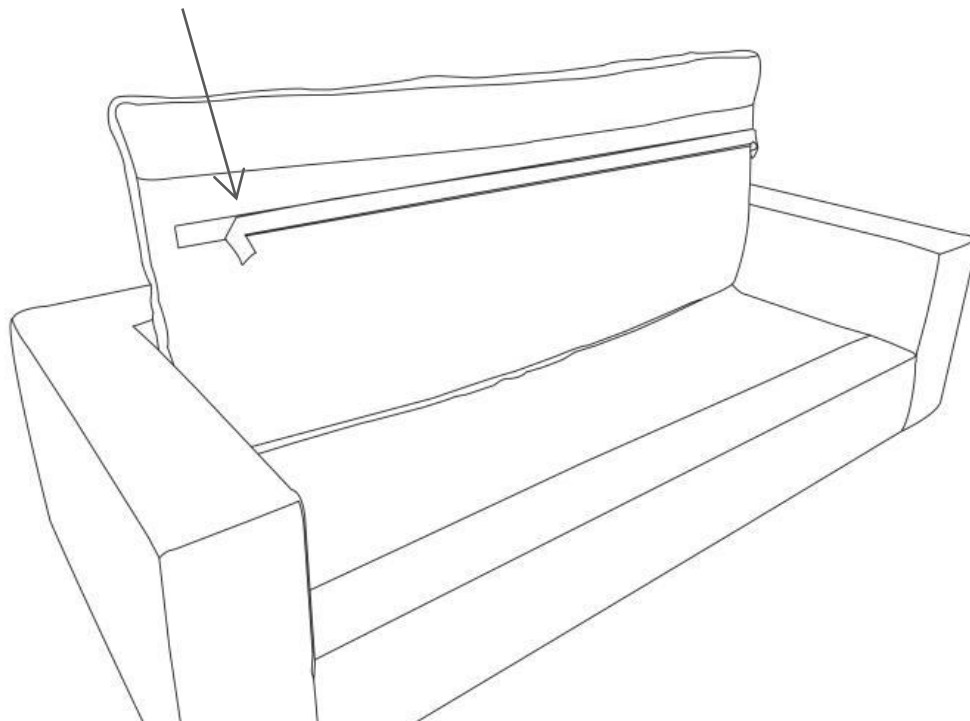
# Step 3

## COMPONENTS

- |   |                |    |
|---|----------------|----|
| 1 | Back Cushion   | x2 |
| 2 | Pillow Cushion | x4 |
| 3 | Seat Cushion   | x1 |



Note: Please remove the protection film on the velcro.



# Great job!

Your sofa is complete and ready to enjoy.



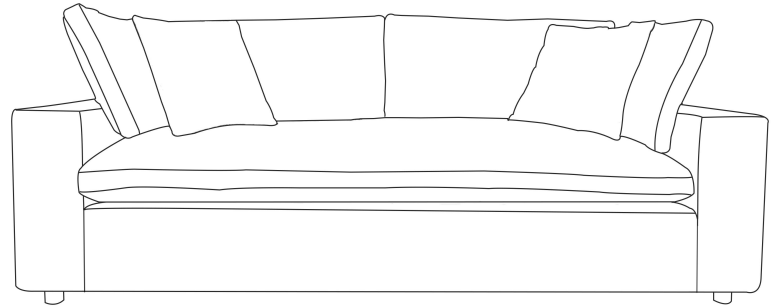
## CARING FOR YOUR ITEM

Indoor use only.

Not contract grade.

Spot clean using a non-abrasive cloth and a mild cleaner.

Never use harsh chemicals, as they could damage the finish or integrity of the item.



CONNECT WITH US!   

Tag us [@modway\\_furniture](#) and [#modway](#) for a chance to be featured.