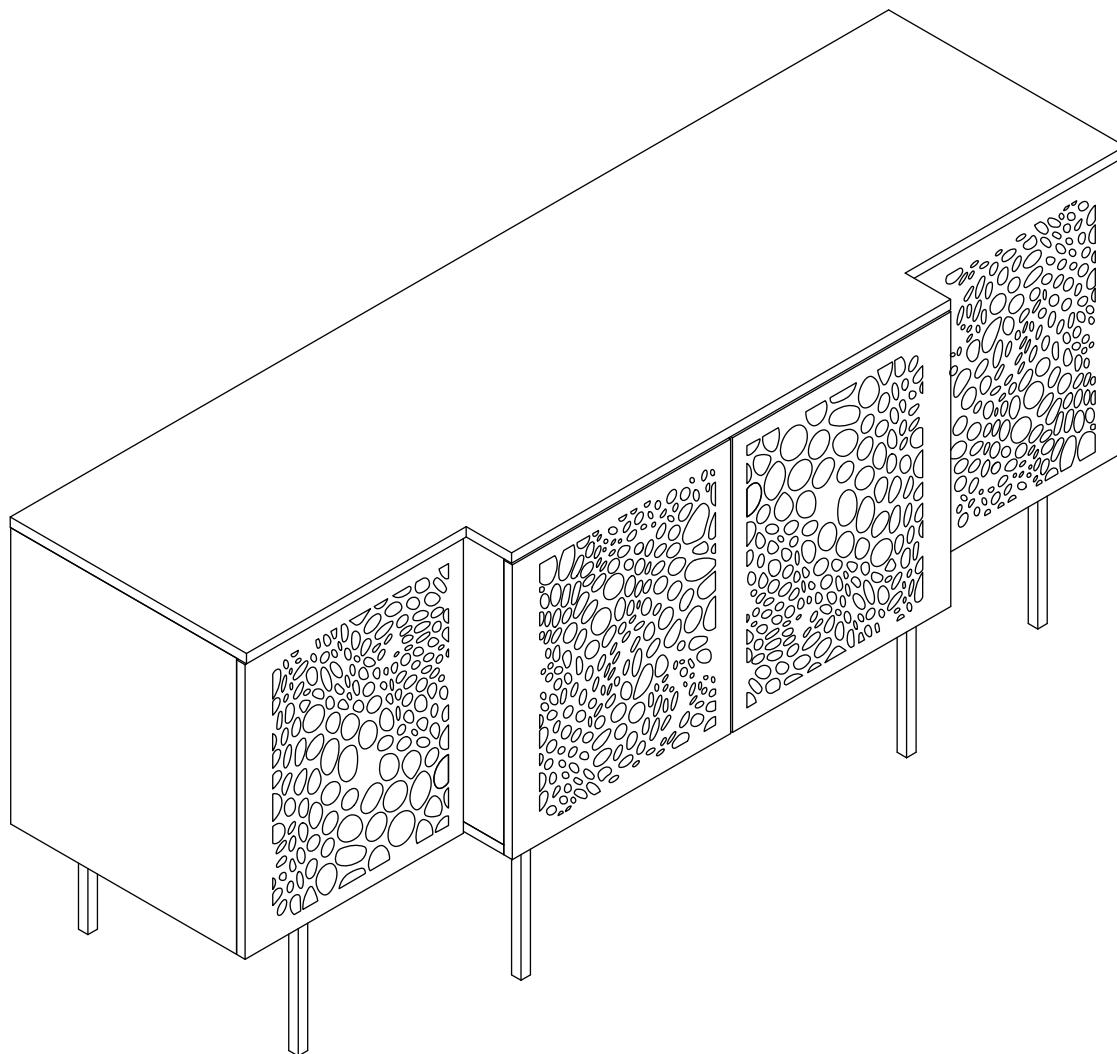


# ASSEMBLY INSTRUCTIONS

# EEI-4771

V1.07.25.22



## Questions? Contact us!

609.256.9000 • [cs@modway.com](mailto:cs@modway.com)  
[www.modway.com](http://www.modway.com)

\*modway



Read through all of the instructions before starting



Care instructions are listed in the last step of this manual



Approx. 60 minutes assembly time



Make sure you have all parts and components before discarding any packing materials



2 people recommended for assembly

**Only use hand tools to assemble this item.** Do not use power tools. Do not tighten bolts or screws completely until all hardware is lined up and inserted into the holes.

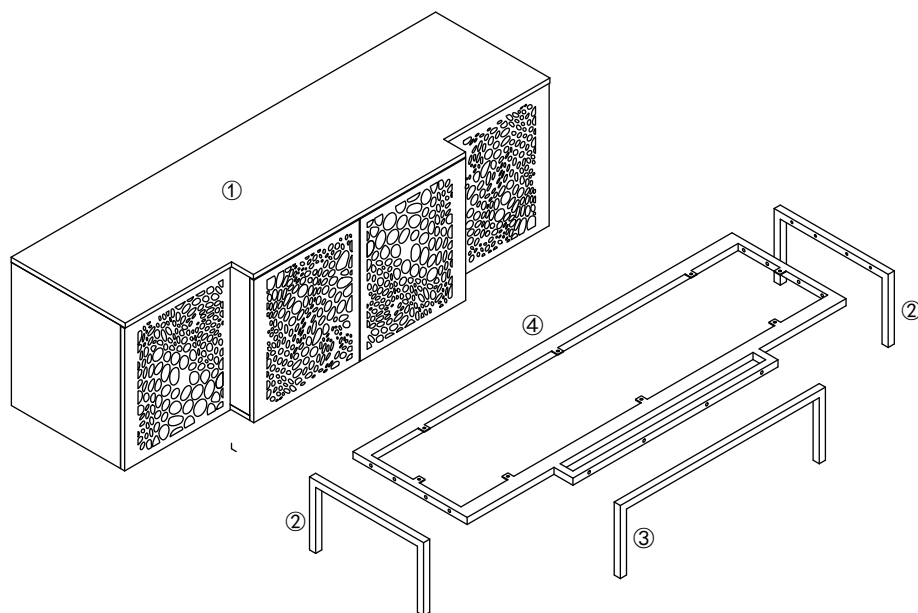
Do not over-tighten screws and bolts to avoid stripping the hardware or cracking the item.

Assemble your item on a flat, carpeted area, with plenty of space to work. This will prevent damage and scratches to your floors or the item while you're assembling the product.

Keep all components and packaging out of reach of children or animals to avoid risk of choking or suffocation.

## Furniture components:

1	TV Stand Body	x1
2	Leg	x2
3	Leg	x1
4	Apron	x1



## Provided hardware:

A		Anti Tipping 150x28x3mm	x2
B		Bolt M6 x 15mm	x8
C		Flat Washer M6 x 16mm	x8
D		Allen Key M4	x1
E		Push to Open Latch	x4
F		Wall Anchor	x2
G		Bolt M8 x 40mm	x12
H		Allen Key M5	x1

Wait!

Missing parts or hardware? Need assistance?  
Contact us before returning your item. We're here to help!  
609.256.9000 • cs@modway.com

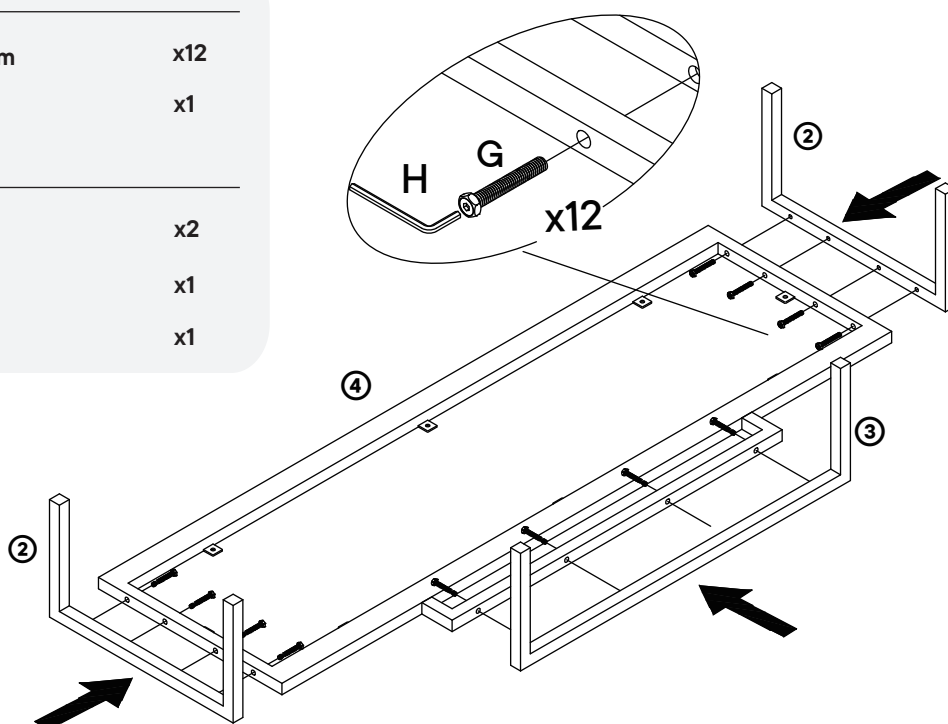
# Step 1

## HARDWARE

- G** Bolt M8 x 40mm x12
- H** Allen Key M5 x1

## COMPONENTS

- 2** Leg x2
- 3** Leg x1
- 4** Apron x1



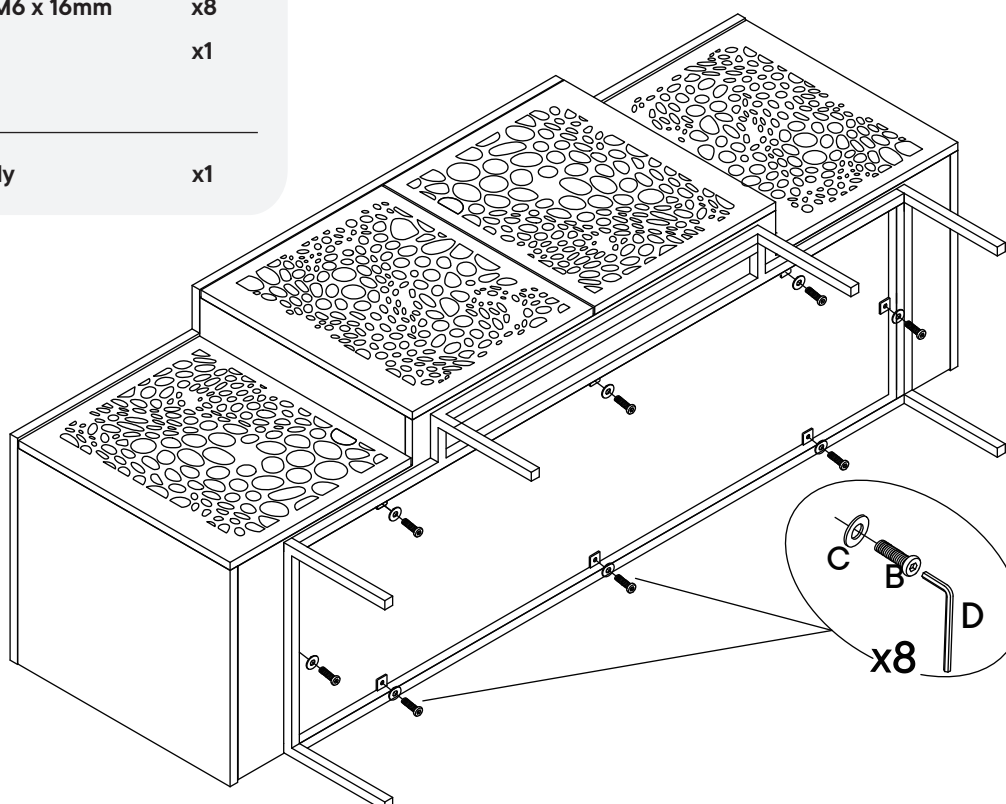
# Step 2

## HARDWARE

- B** Bolt M6 x 15mm x8
- C** Flat Washer M6 x 16mm x8
- D** Allen Key M4 x1

## COMPONENTS

- 1** TV Stand Body x1



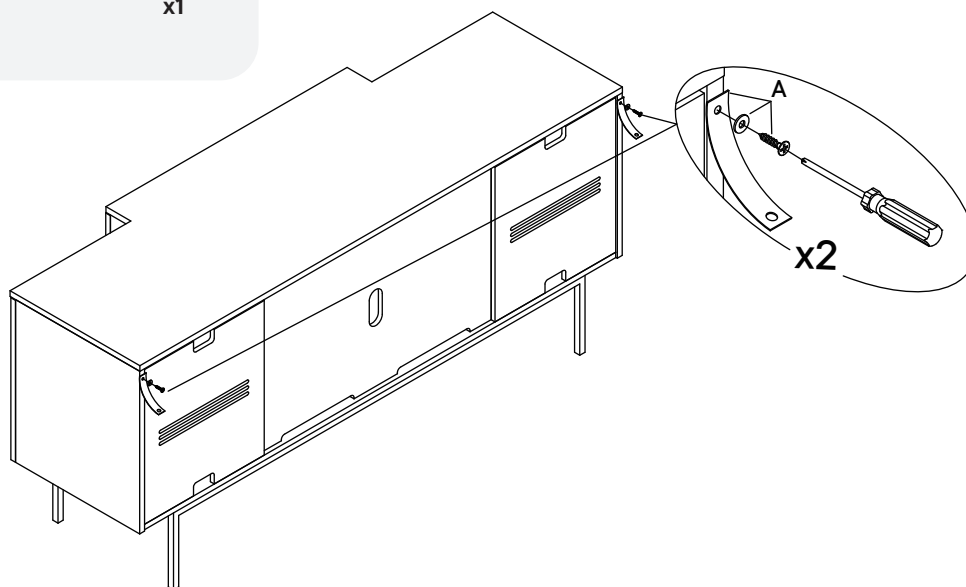
## Step 3

### HARDWARE

- A** Anti Tipping 150x28x3mm x2

### COMPONENTS

- 1** TV Stand Body x1



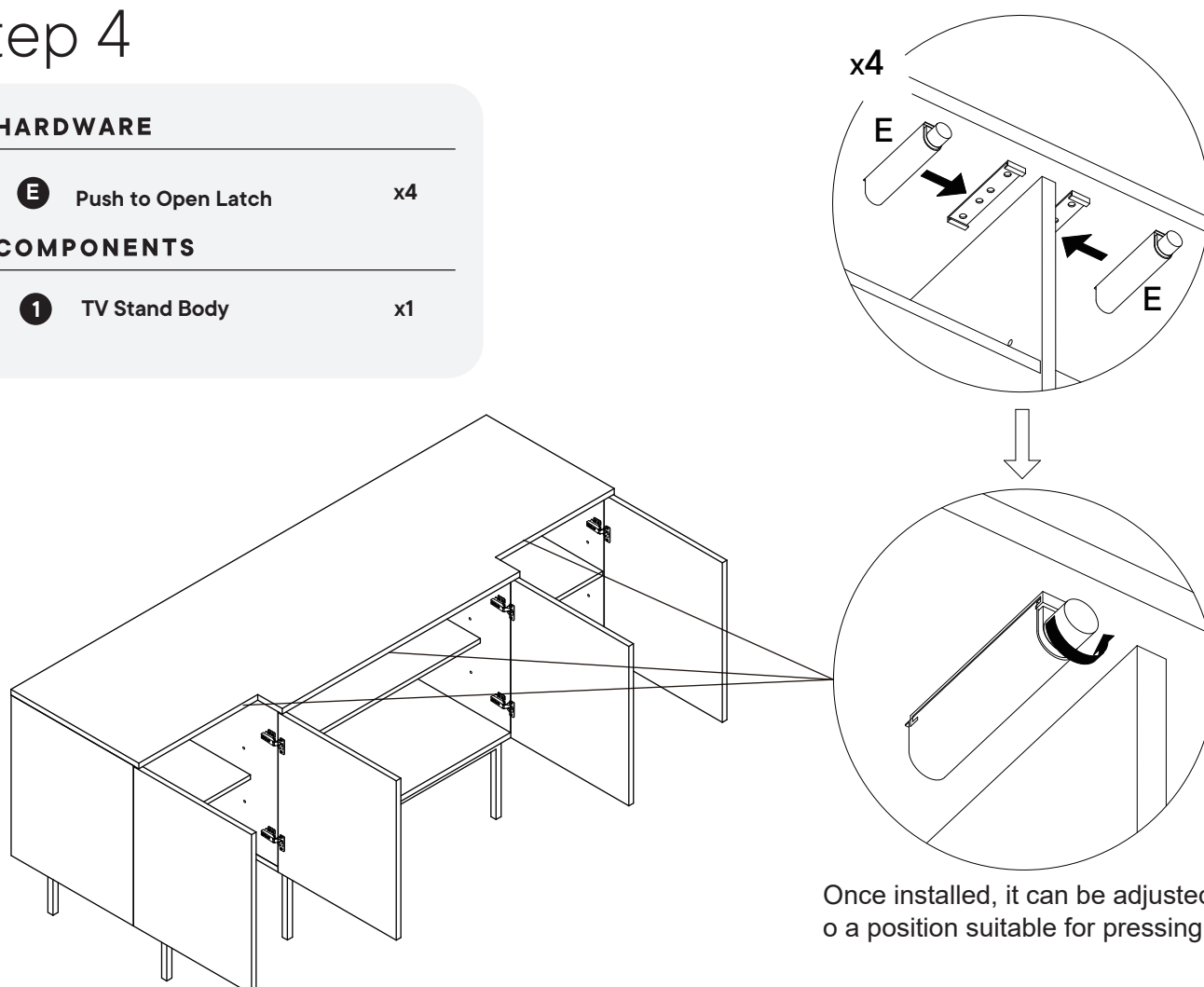
## Step 4

### HARDWARE

- E** Push to Open Latch x4

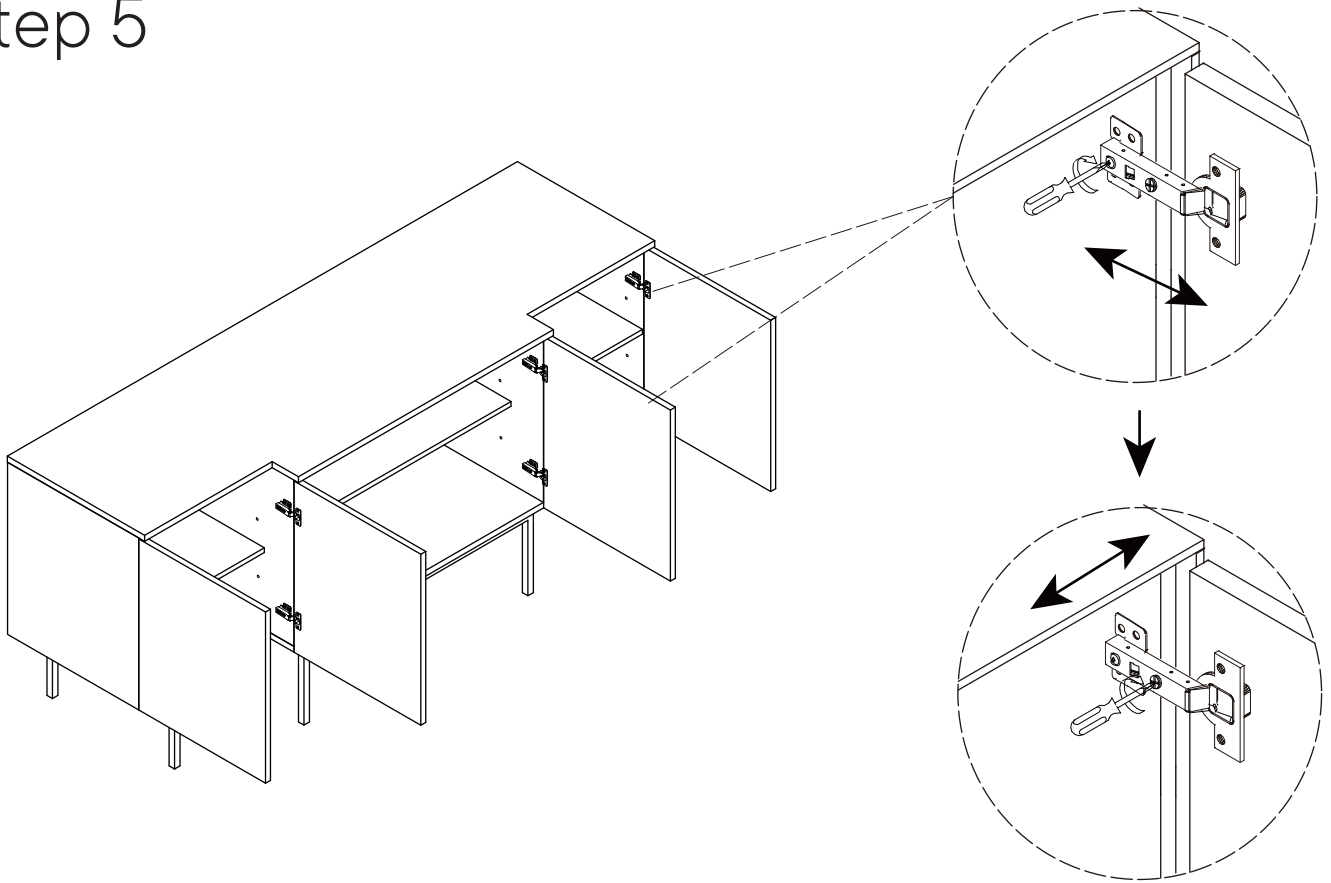
### COMPONENTS

- 1** TV Stand Body x1

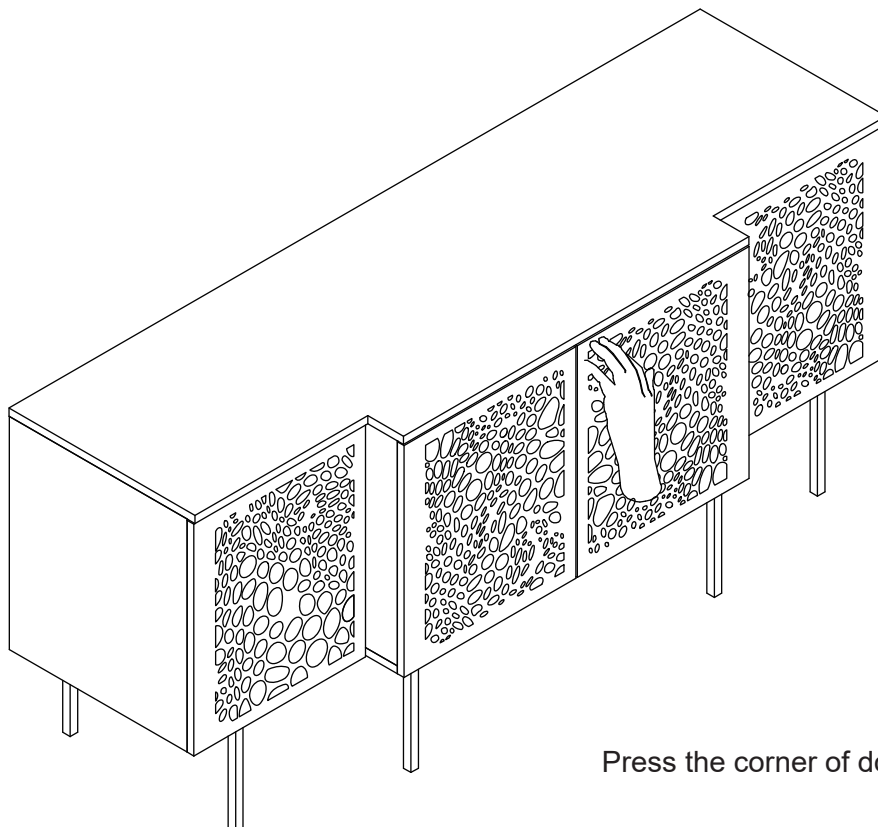


Once installed, it can be adjusted to a position suitable for pressing

## Step 5



## Step 6



Press the corner of door to open

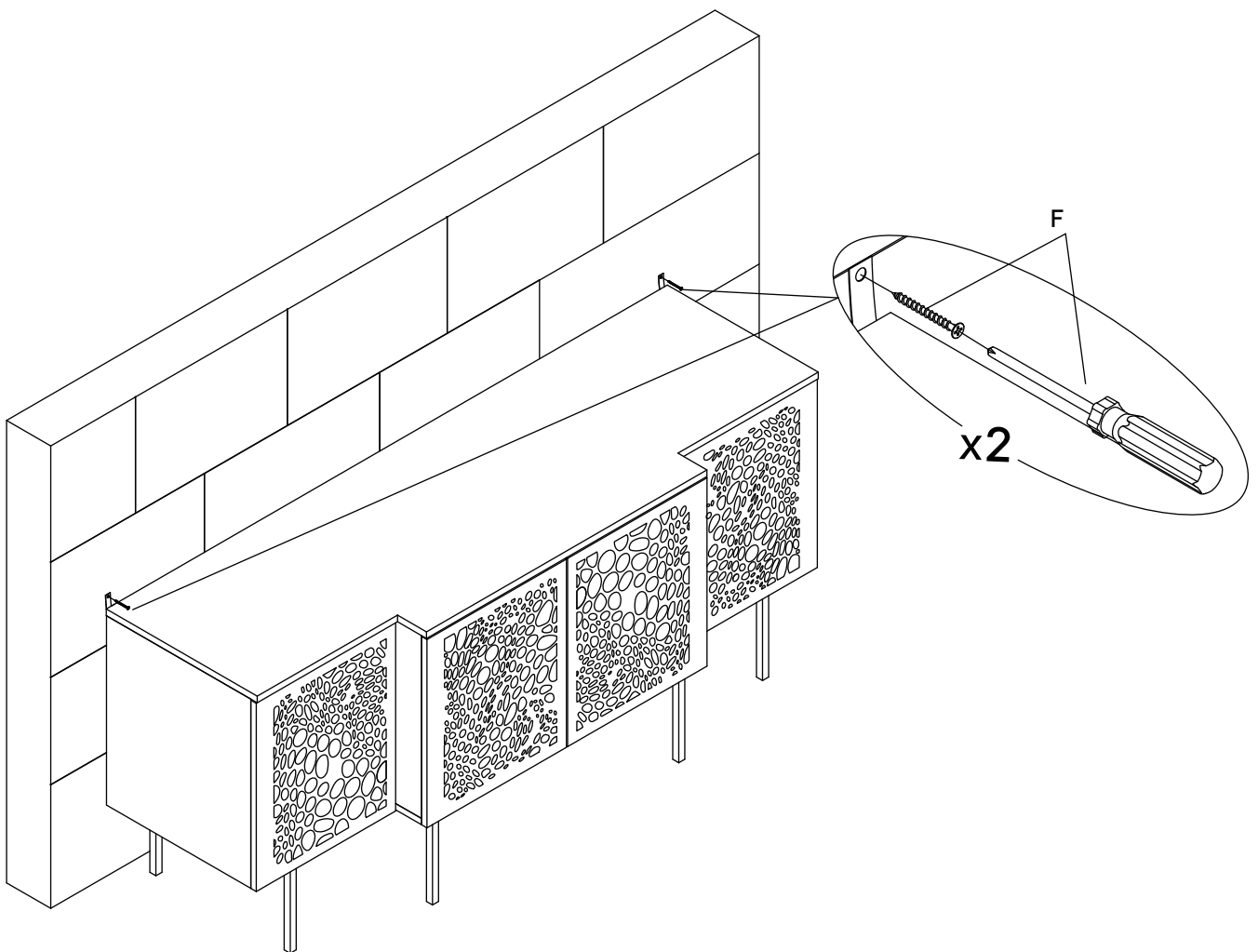
# Step 7

## HARDWARE

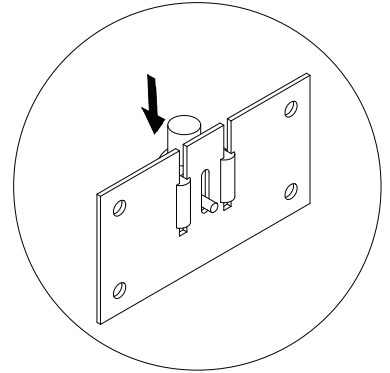
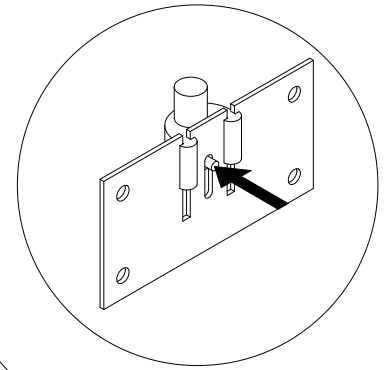
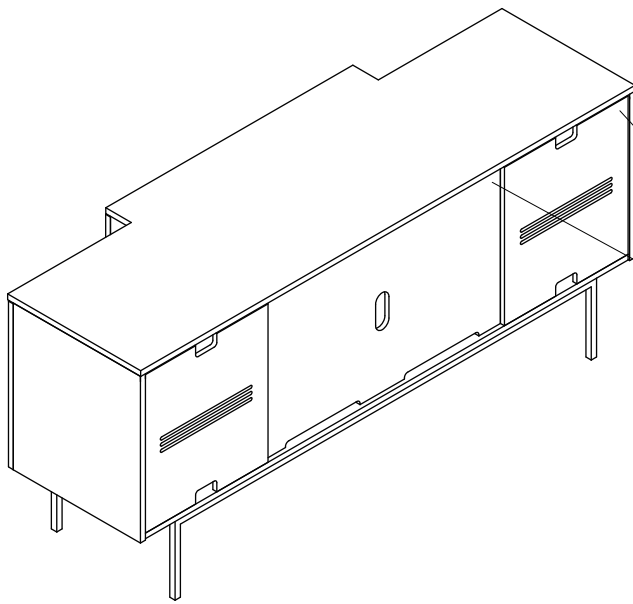
**F** Wall Anchor x2

## COMPONENTS

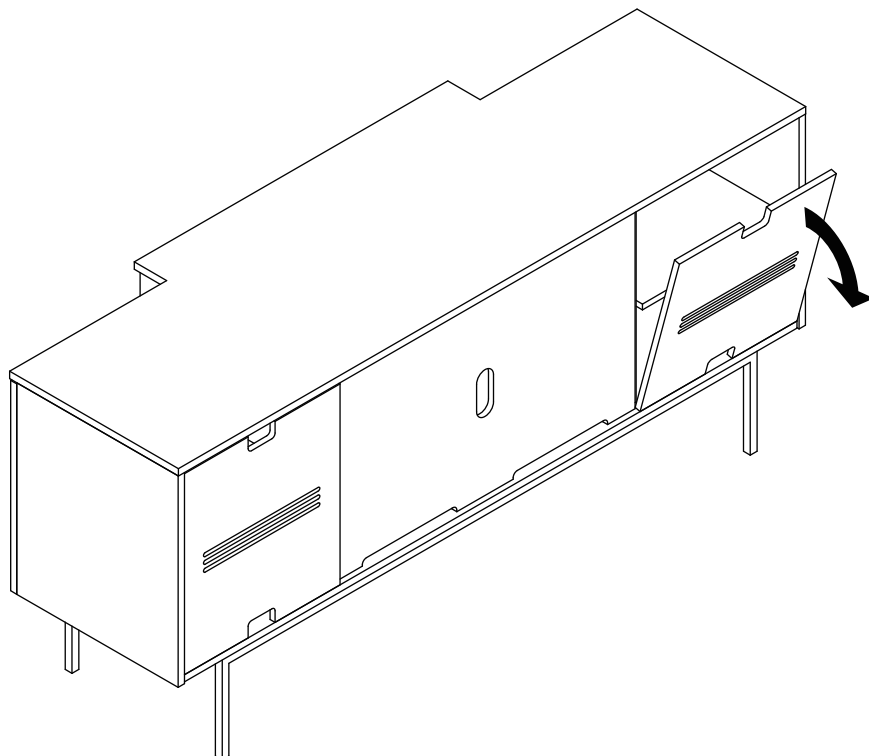
**1** TV Stand Body x1



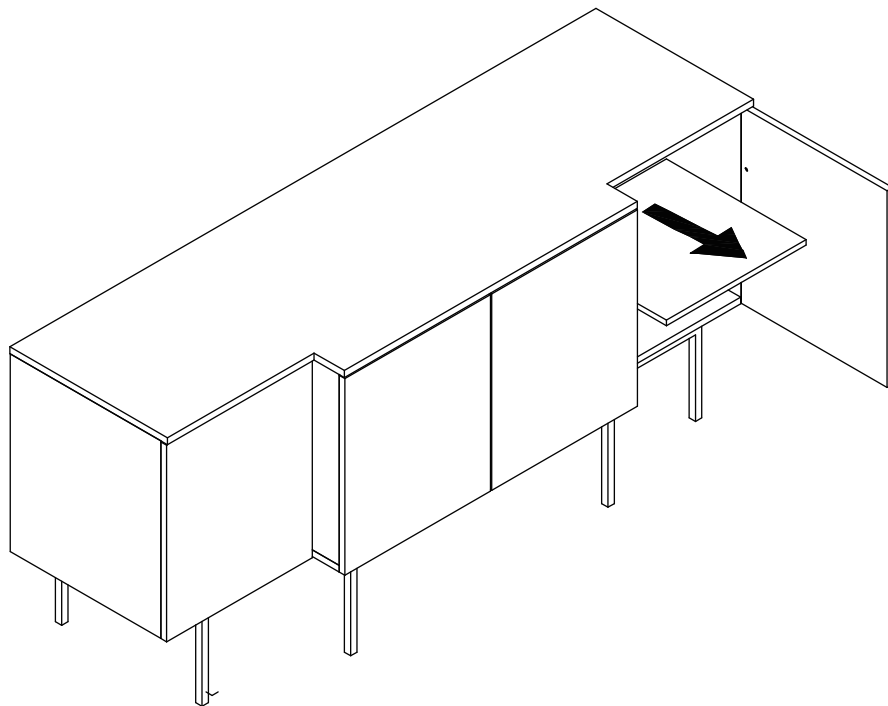
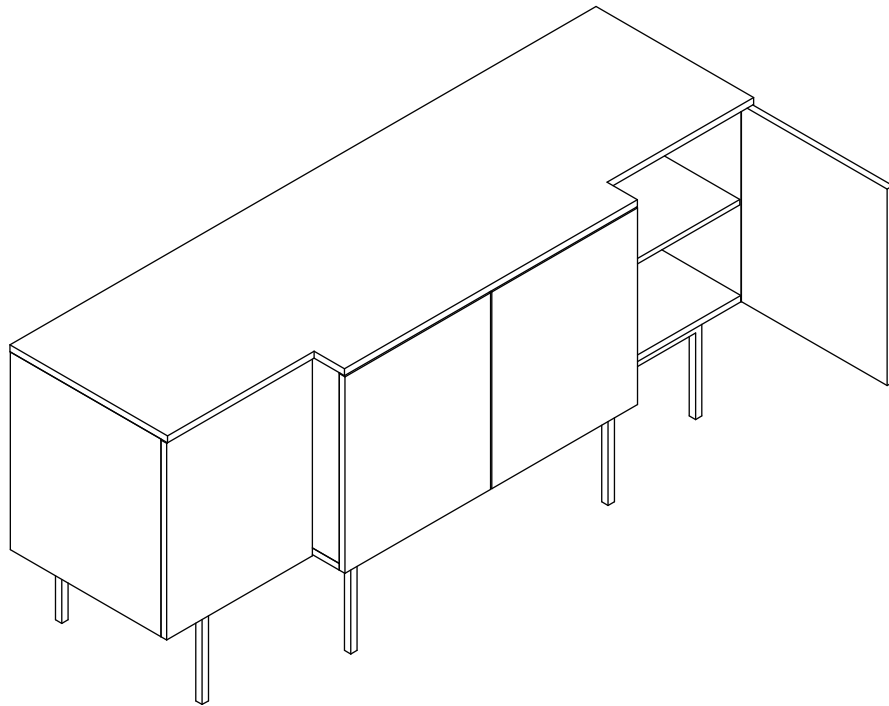
Guide to dismantle the back panel



Back view

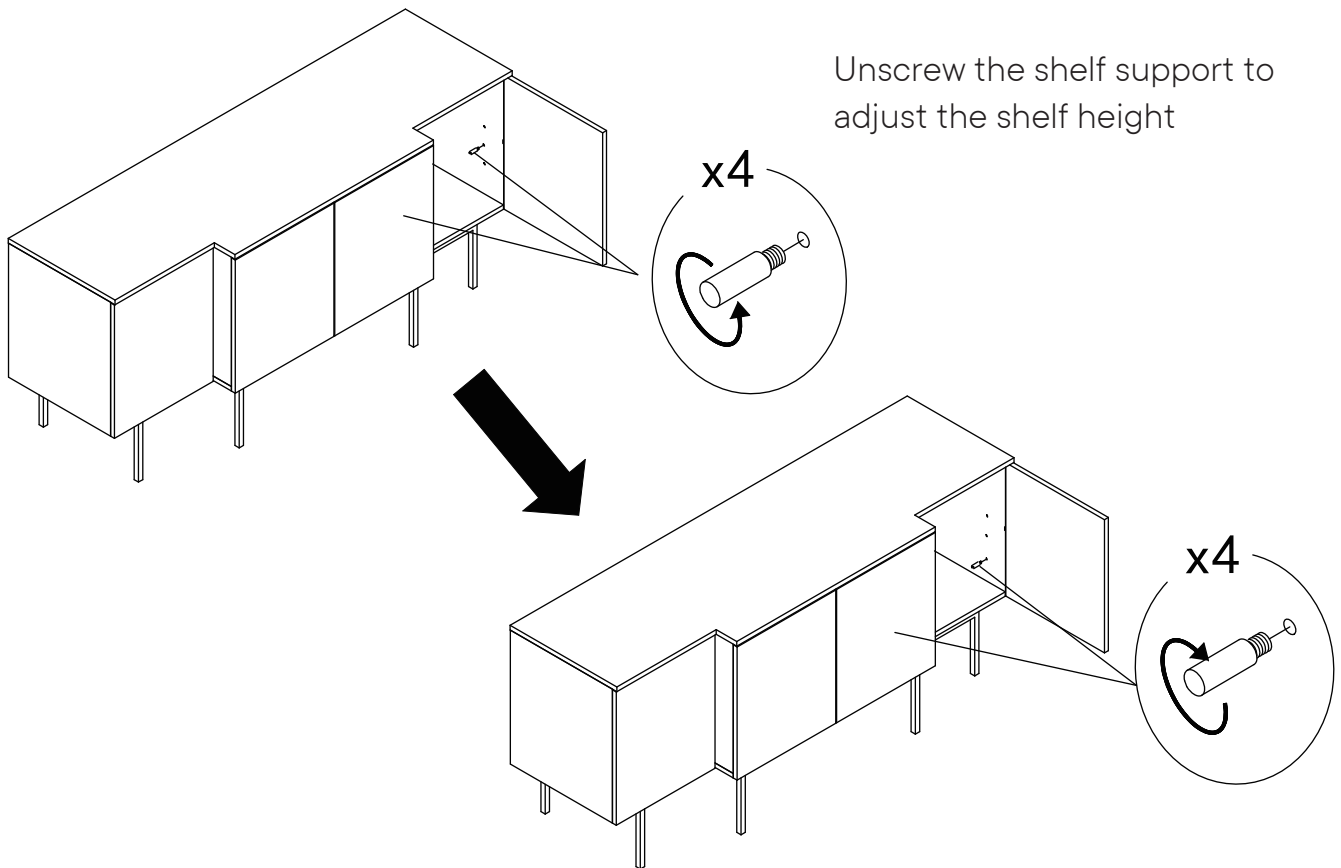


Guide to adjust the shelf height



Open the door and pull out the shelf



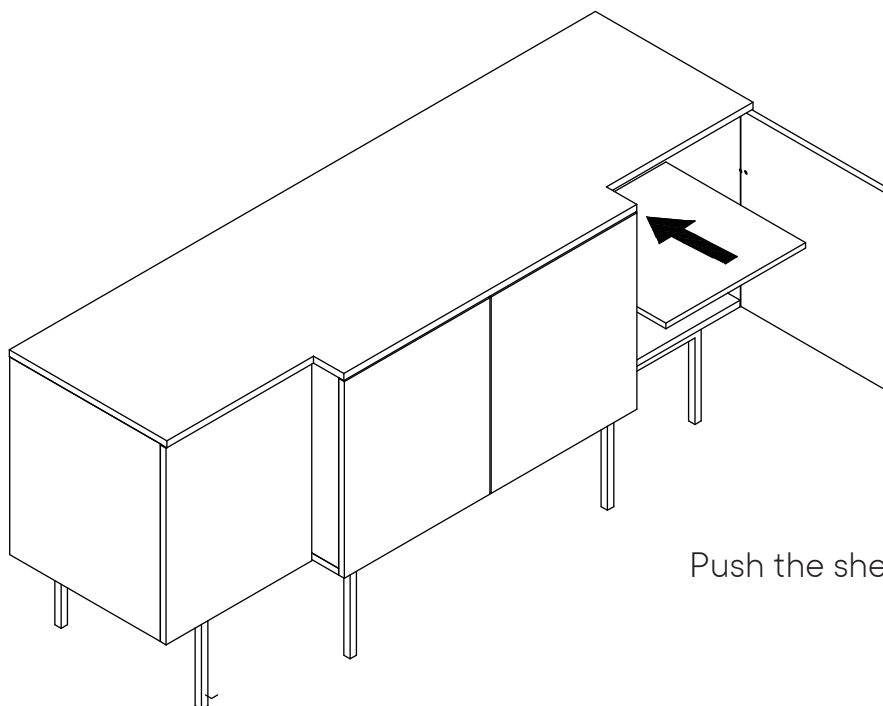


Unscrew the shelf support to adjust the shelf height

x4

x4

Secure the shelf support



Push the shelf

# Great job!

TV stand assembly is complete

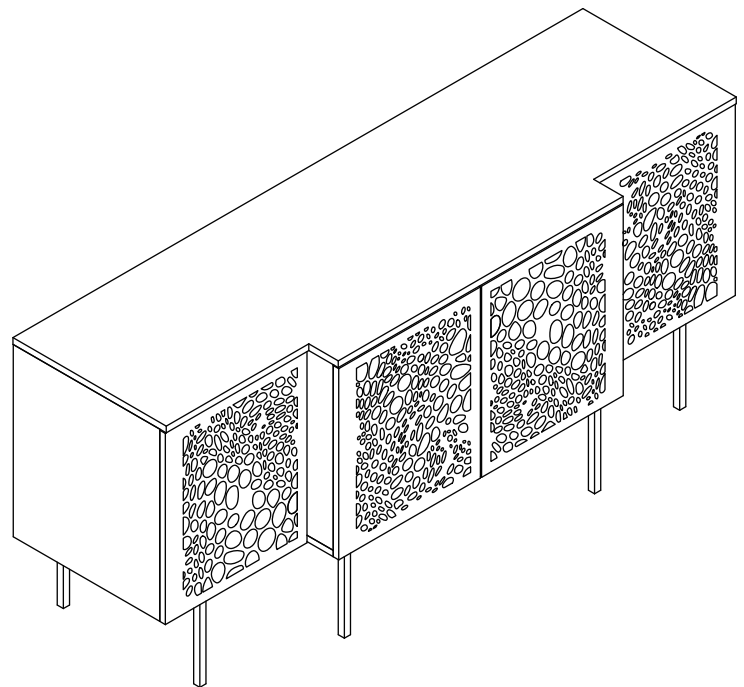
## ♥ CARING FOR YOUR ITEM

Indoor use only.

Not contract grade.

Clean using a non-abrasive cloth and a mild cleaner.

Never use harsh chemicals, as they could damage the finish or integrity of the item.



CONNECT WITH US!   

Tag us [@modway\\_furniture](#) and [#modway](#) for a chance to be featured.