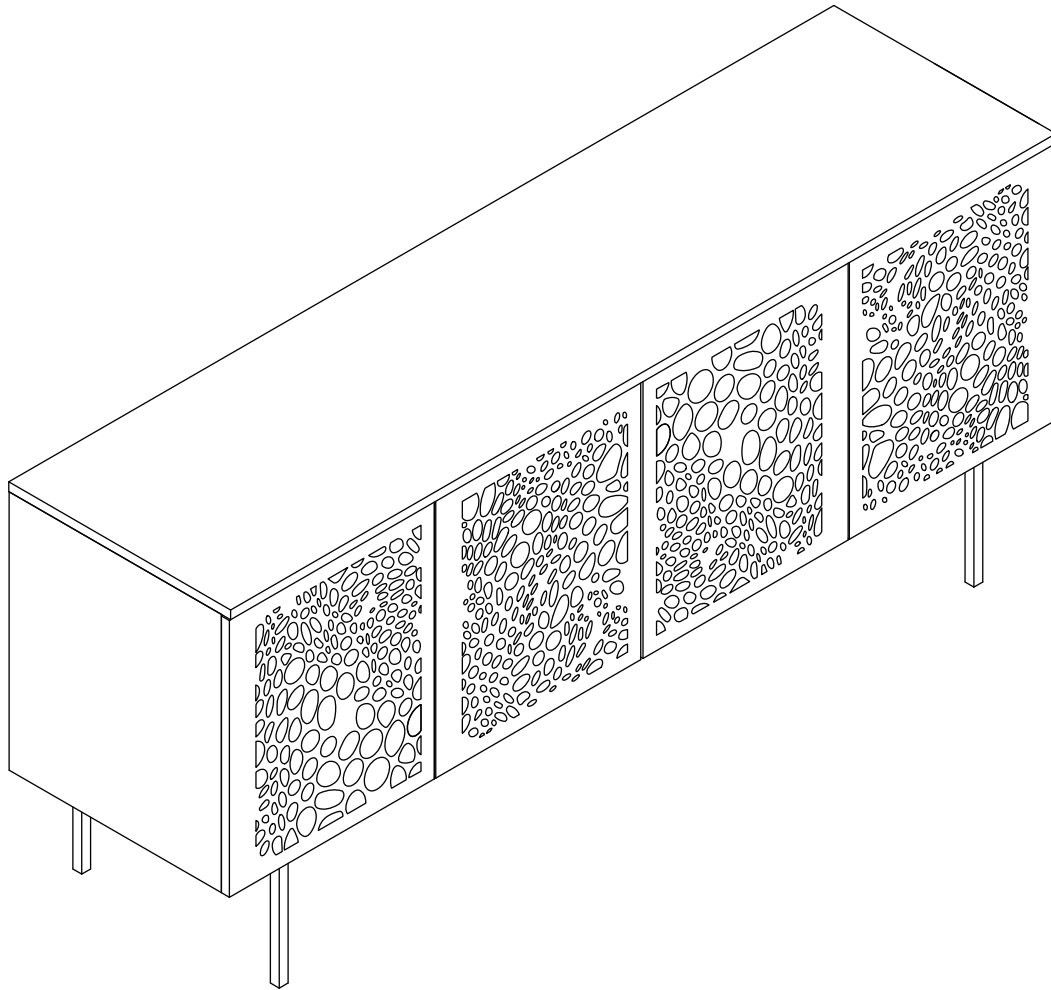


ASSEMBLY INSTRUCTIONS

EEI-4768

V1.07.25.22



Questions? Contact us!

609.256.9000 • cs@modway.com
www.modway.com

*modway

Let's get started!

*modway



Read through all of the instructions before starting



Care instructions are listed in the last step of this manual



Approx. 60 minutes assembly time



Make sure you have all parts and components before discarding any packing materials



2 people recommended for assembly

Only use hand tools to assemble this item. Do not use power tools. Do not tighten bolts or screws completely until all hardware is lined up and inserted into the holes.

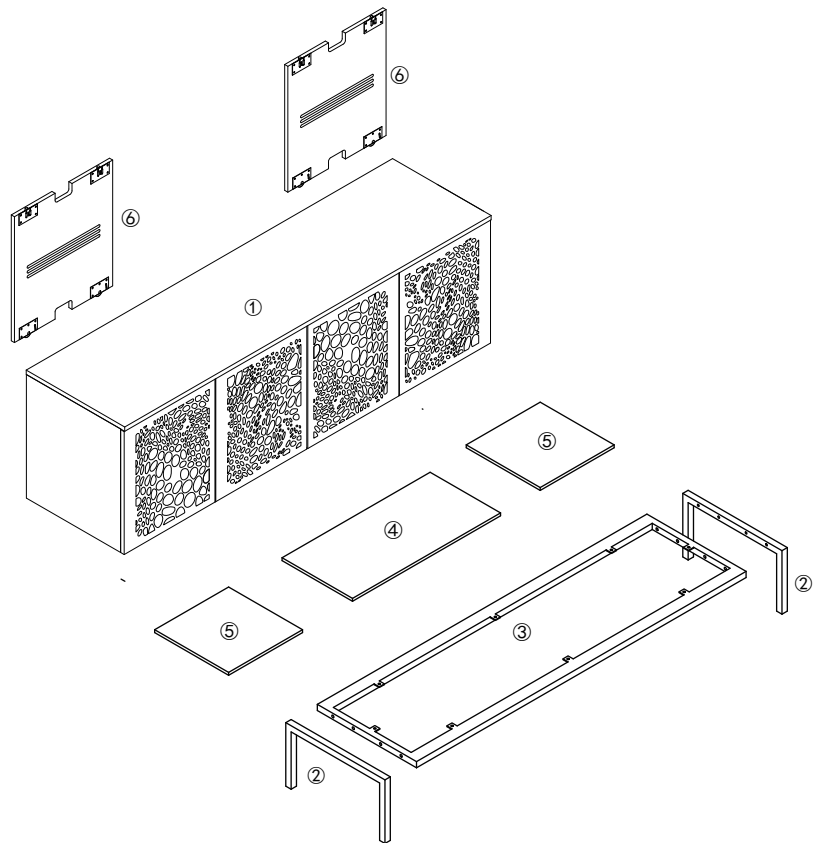
Do not over-tighten screws and bolts to avoid stripping the hardware or cracking the item.

Assemble your item on a flat, carpeted area, with plenty of space to work. This will prevent damage and scratches to your floors or the item while you're assembling the product.

Keep all components and packaging out of reach of children or animals to avoid risk of choking or suffocation.

Furniture components:

1	TV Stand Body	x1
2	Leg	x2
3	Apron	x1
4	Long Shelf	x1
5	Short Shelf	x2
6	Back Panel	x2



Provided hardware:

A		Anti Tipping 150x28x3mm	x2
B		Bolt M6 x 15mm	x8
C		Flat Washer M6 x 16mm	x8
D		Allen Key M4	x1
E		Push to Open Latch	x4
F		Wall Anchor	x2
G		Bolt M8 x 40mm	x8
H		Allen Key M5	x1
I		Shelf Support	x12
J		Flat Washer M8 x 18mm	x8

What you need:



Phillips Head Screwdriver

Wait!

Missing parts or hardware? Need assistance?
Contact us before returning your item. We're here to help!
609.256.9000 • cs@modway.com

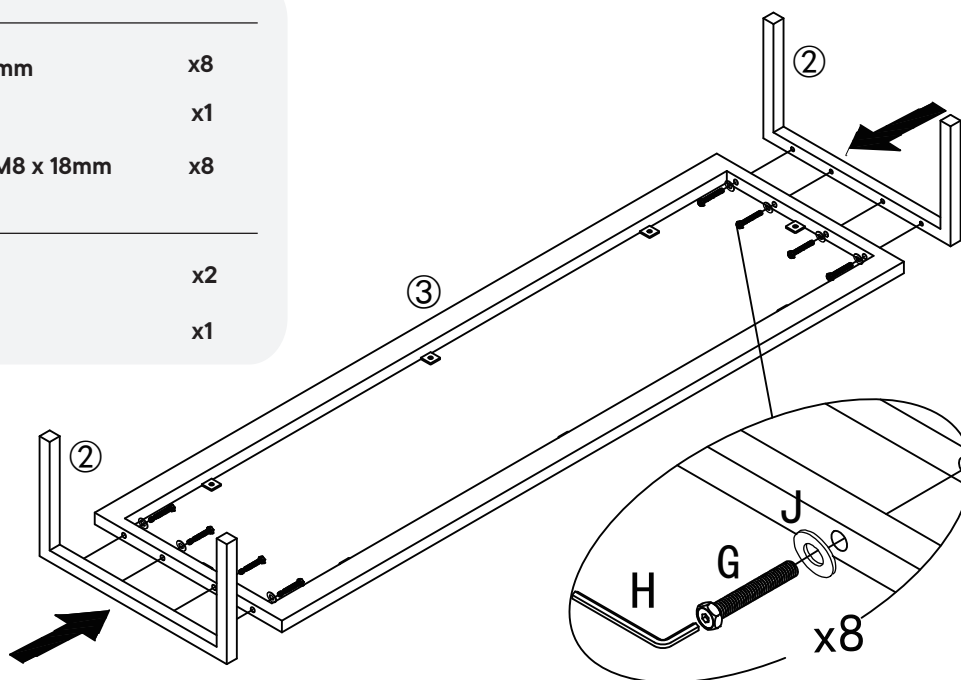
Step 1

HARDWARE

- G** Bolt M8 x 40mm x8
- H** Allen Key M5 x1
- J** Flat Washer M8 x 18mm x8

COMPONENTS

- 2** Leg x2
- 3** Apron x1



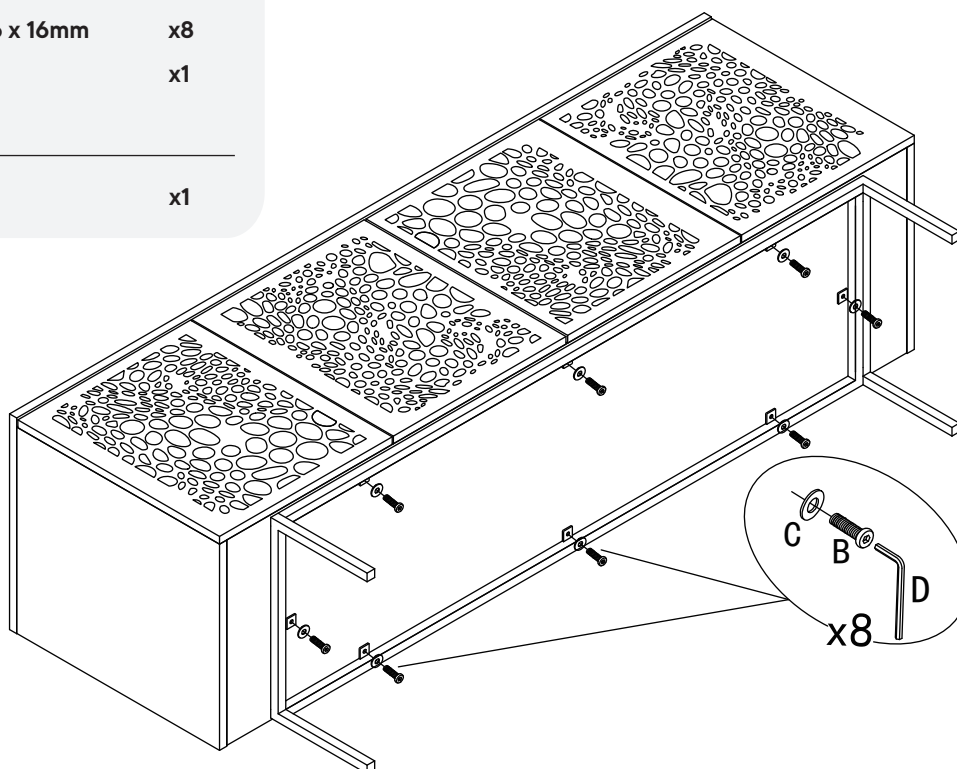
Step 2

HARDWARE

- B** Bolt M6 x 15mm x8
- C** Flat Washer M6 x 16mm x8
- D** Allen Key M4 x1

COMPONENTS

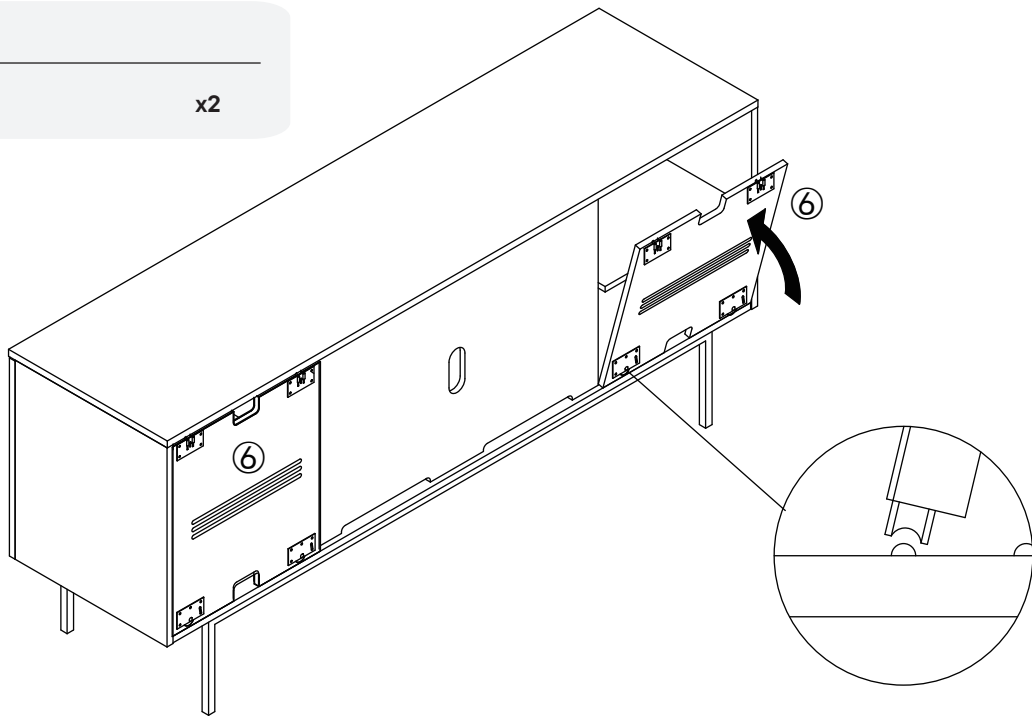
- 1** TV Stand Body x1



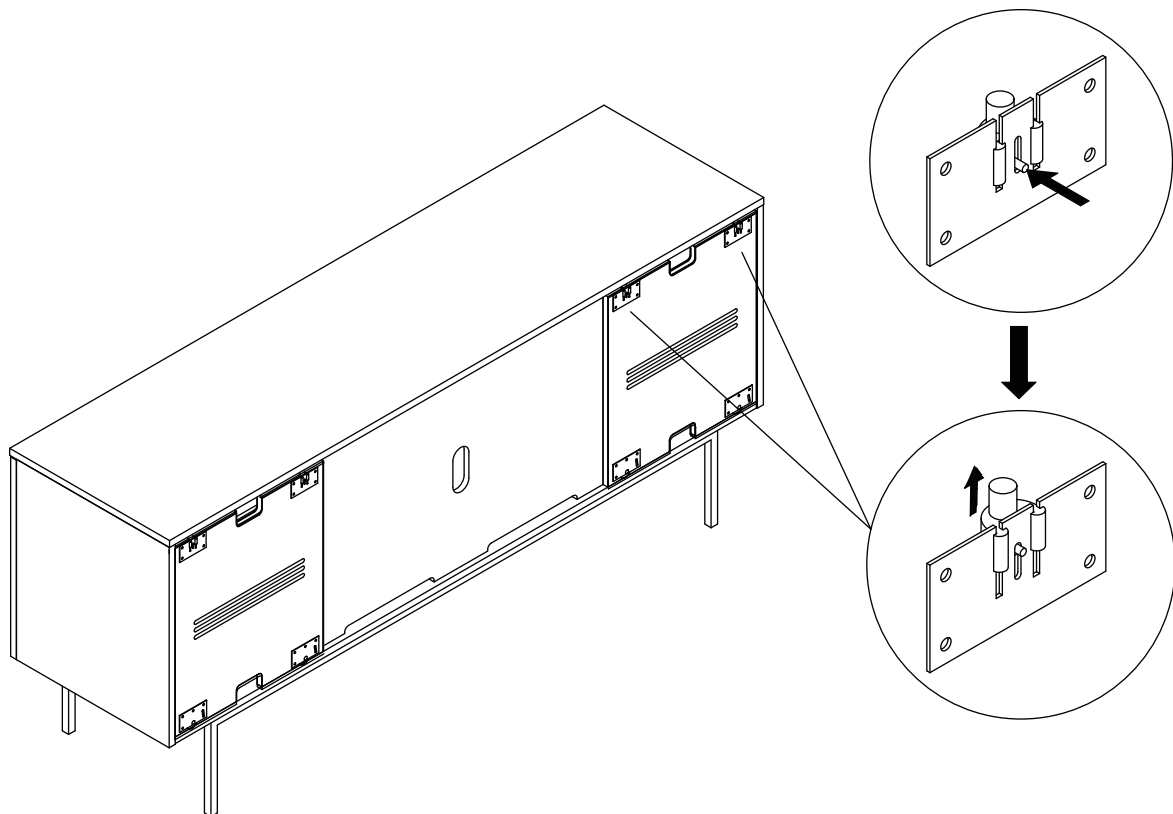
Step 3

COMPONENTS

- 6 Back Panel x2



Step 4



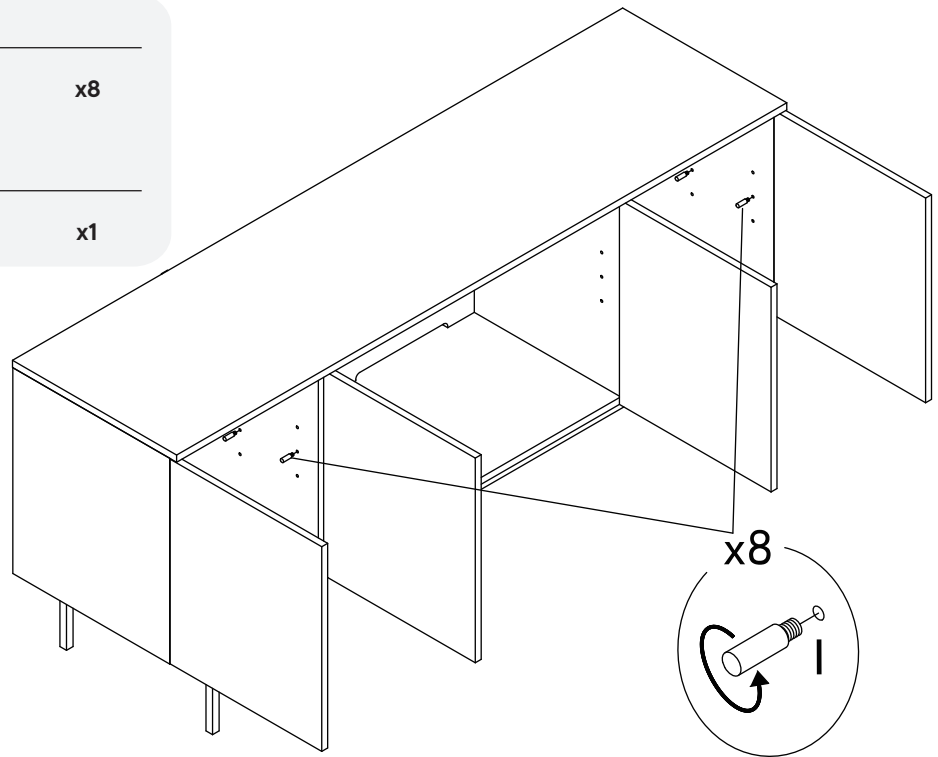
Step 5

HARDWARE

① Shelf Support x8

COMPONENTS

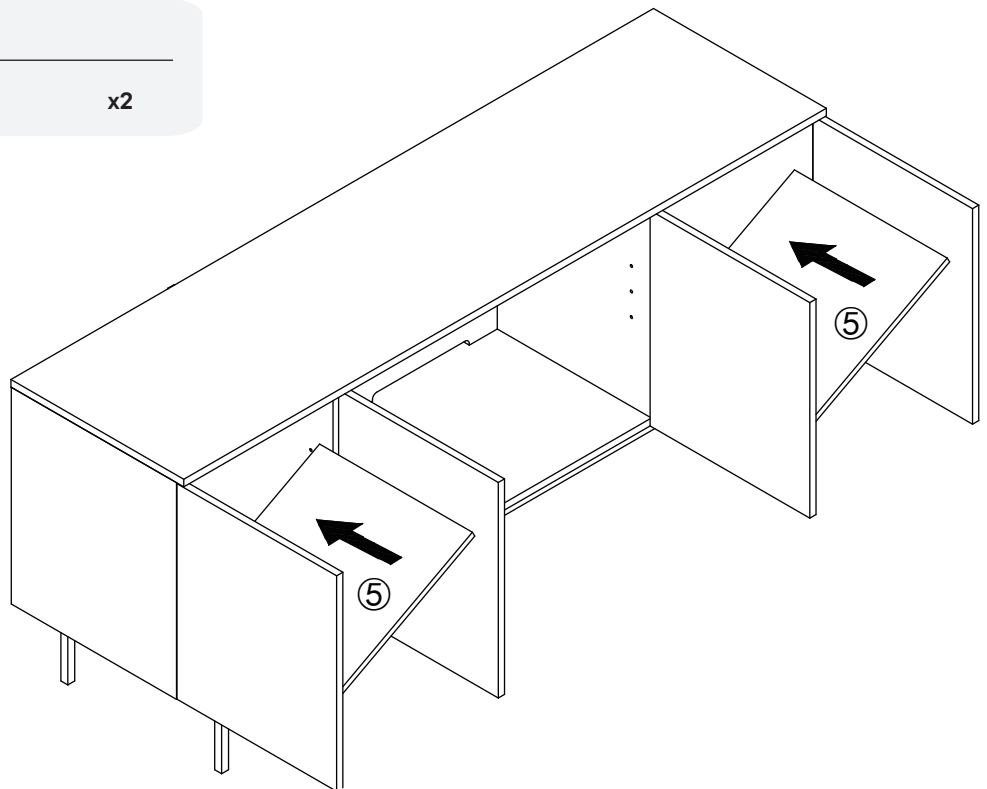
① TV Stand Body x1



Step 6

COMPONENTS

⑤ Short Shelf x2



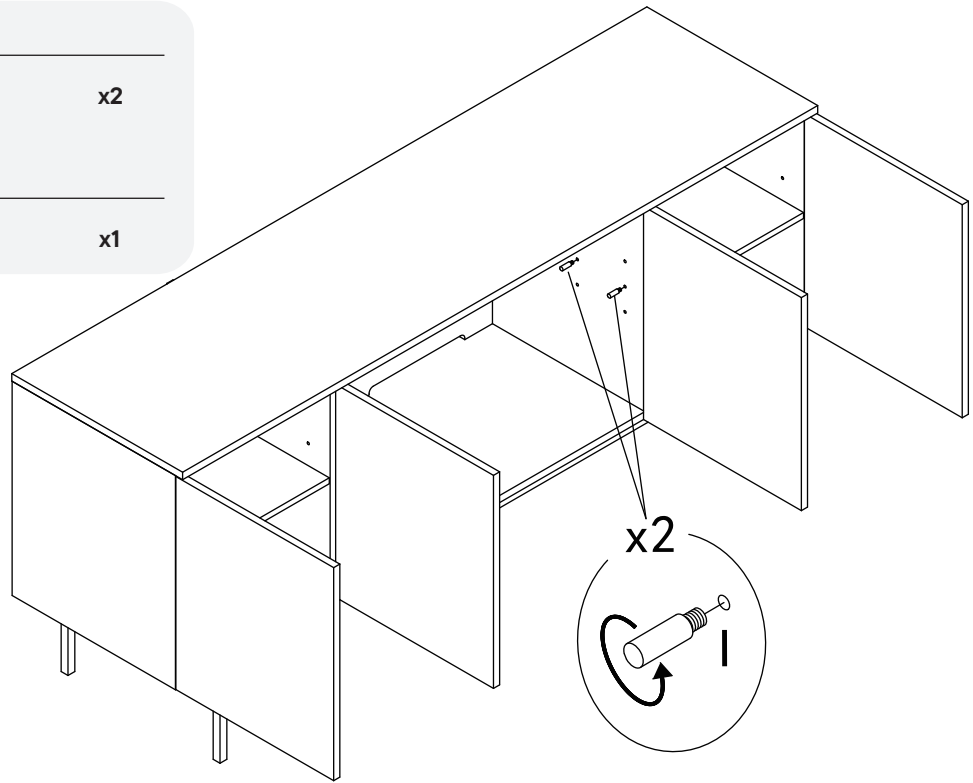
Step 7

HARDWARE

1 Shelf Support x2

COMPONENTS

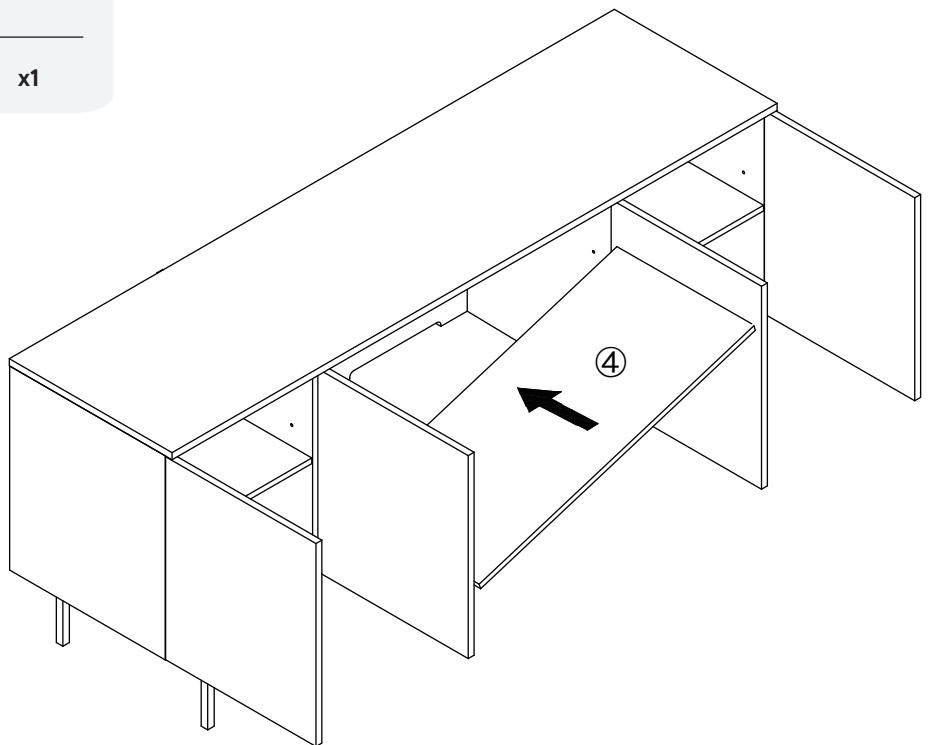
1 TV Stand Body x1



Step 8

COMPONENTS

4 Long Shelf x1



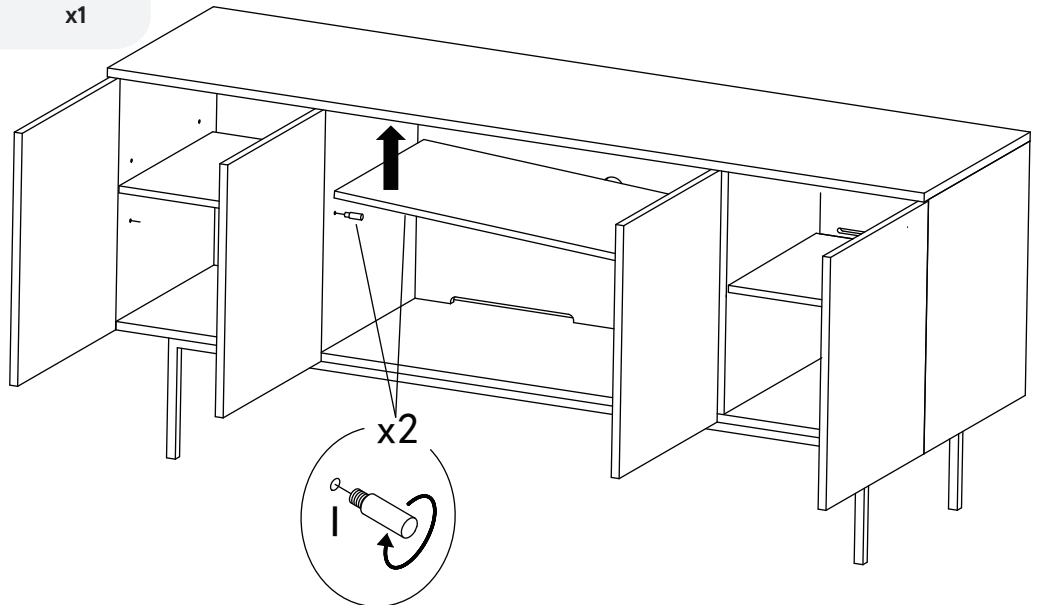
Step 9

HARDWARE

- 1 Shelf Support x2

COMPONENTS

- 1 TV Stand Body x1



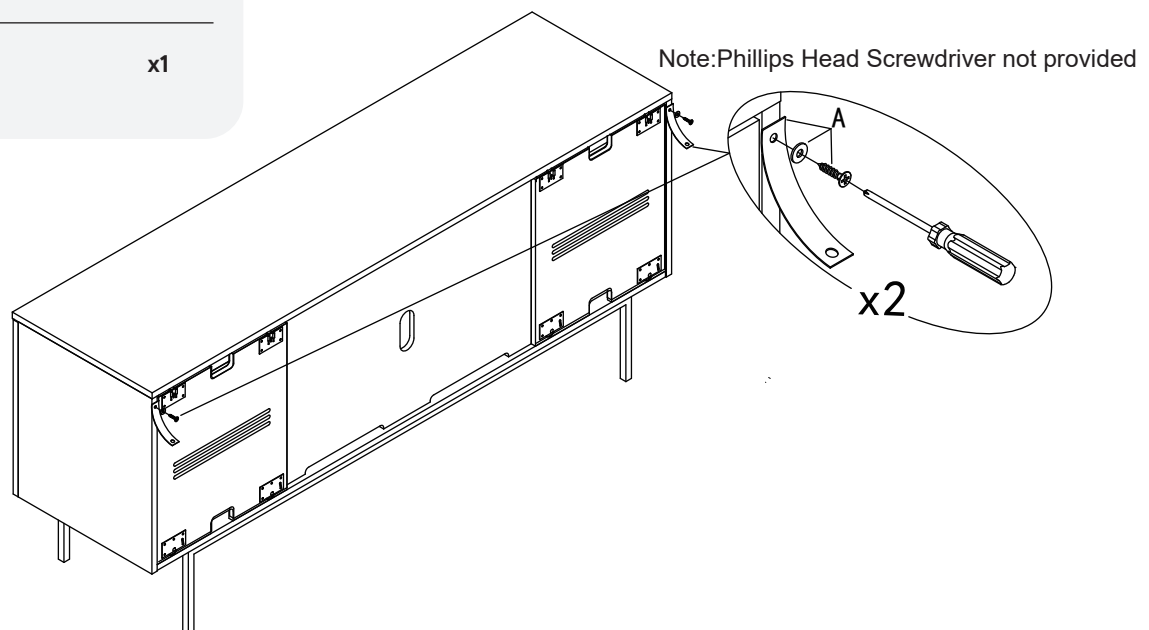
Step 10

HARDWARE

- A Anti Tipping 150x28x3mm x2

COMPONENTS

- 1 TV Stand Body x1



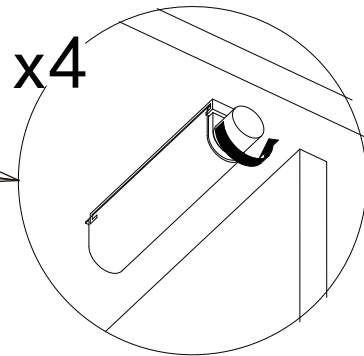
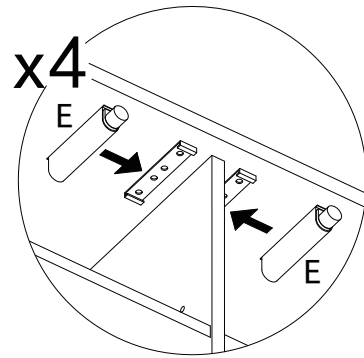
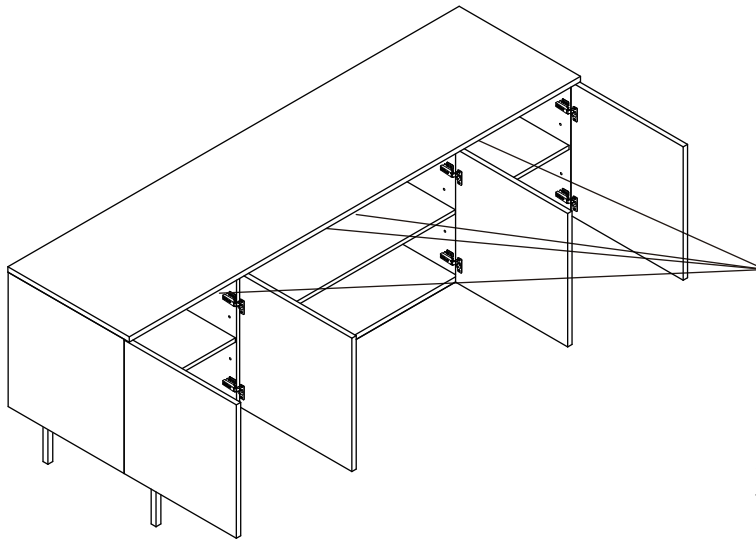
Step 11

HARDWARE

E Push to Open Latch x4

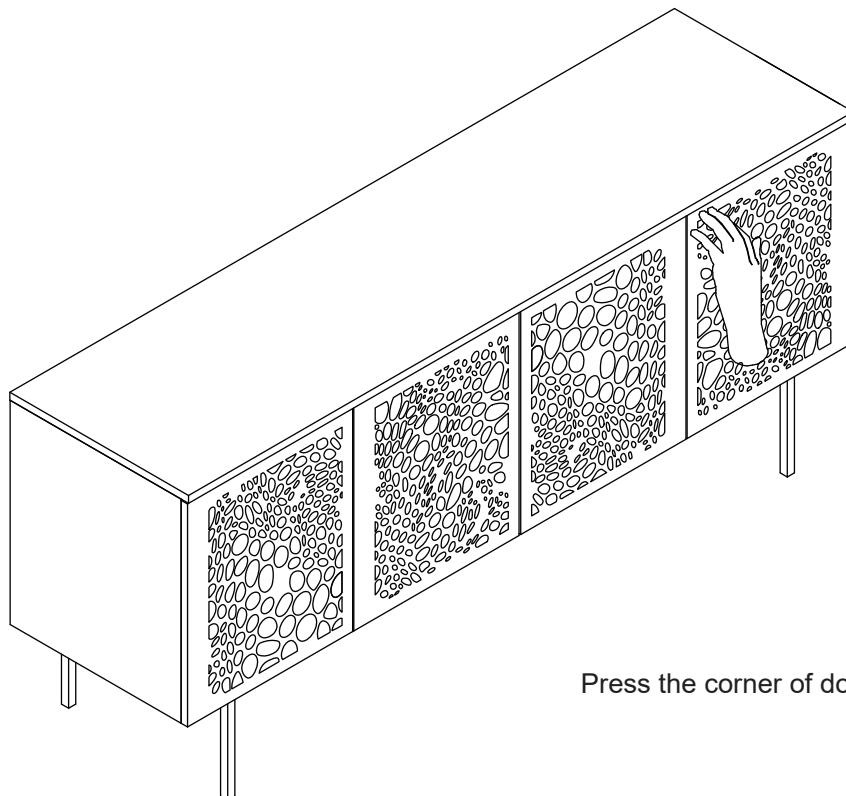
COMPONENTS

1 TV Stand Body x1



Once installed, it can be adjusted to a position suitable for pressing

Step 12



Press the corner of door to open

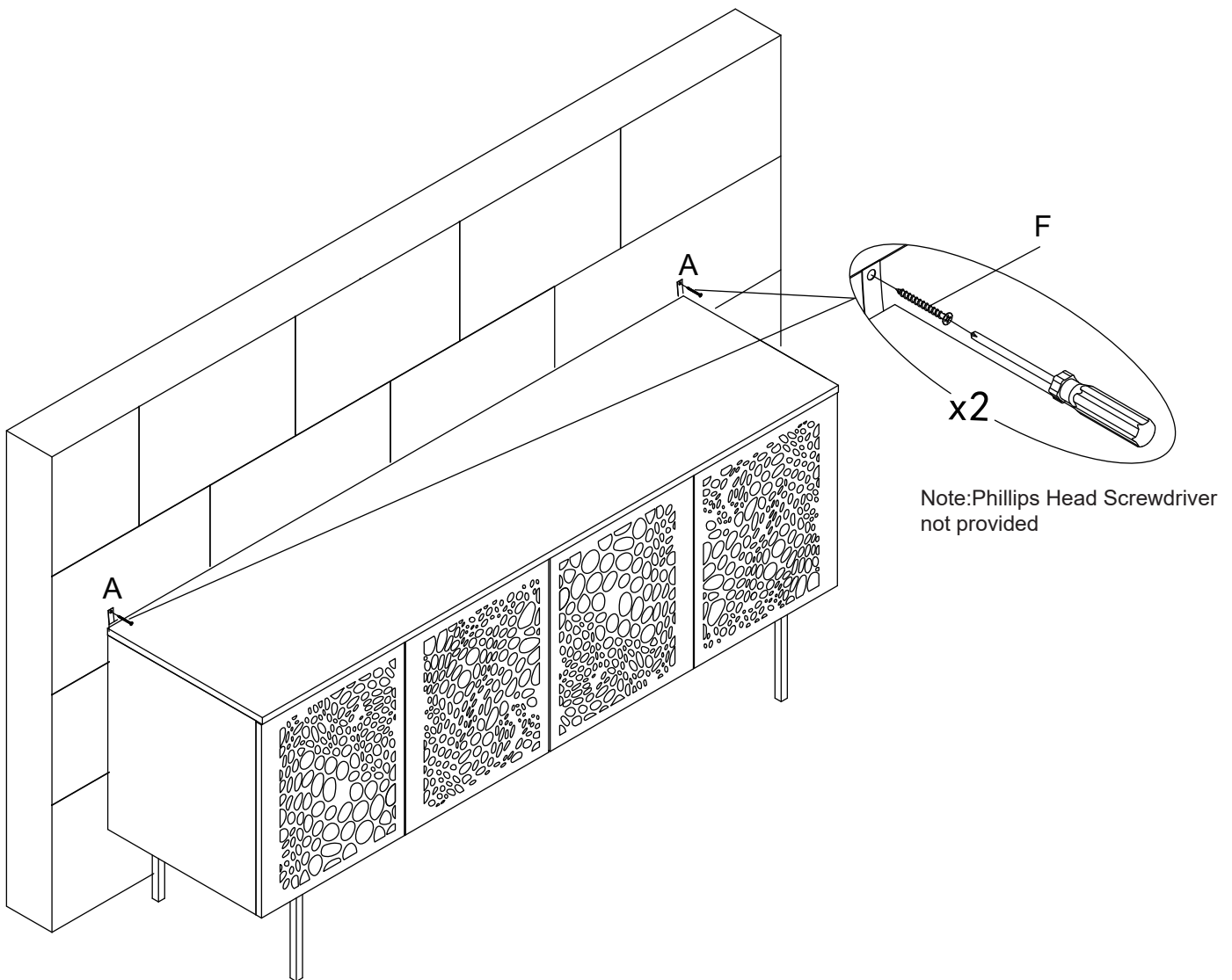
Step 13

HARDWARE

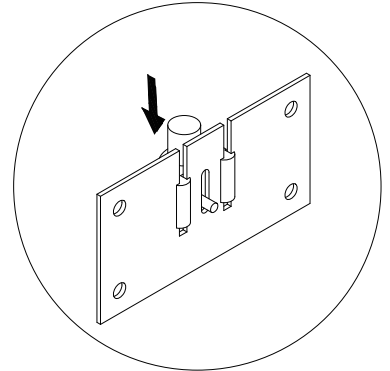
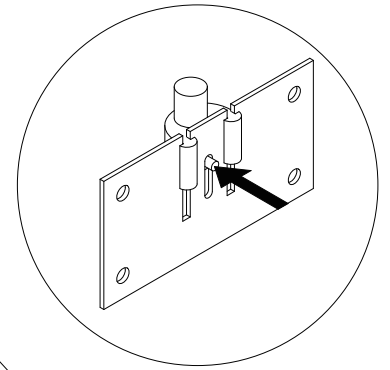
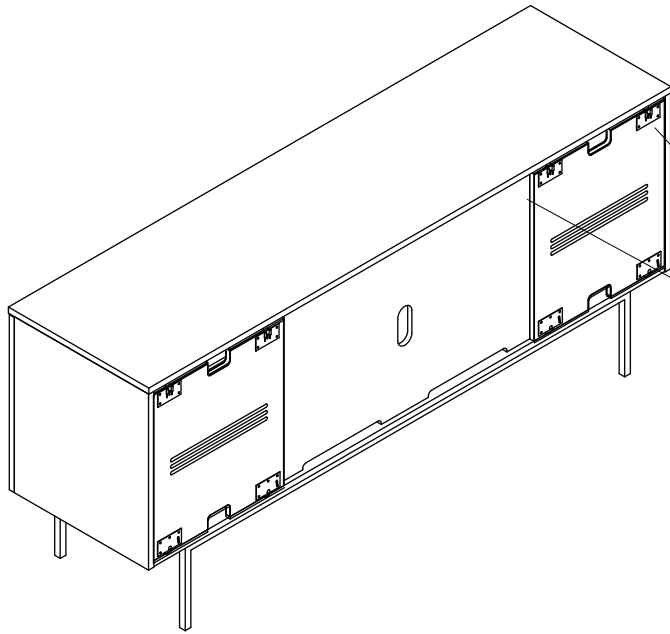
- A** Anti Tipping 150x28x3mm x2
- F** Wall Anchor x2

COMPONENTS

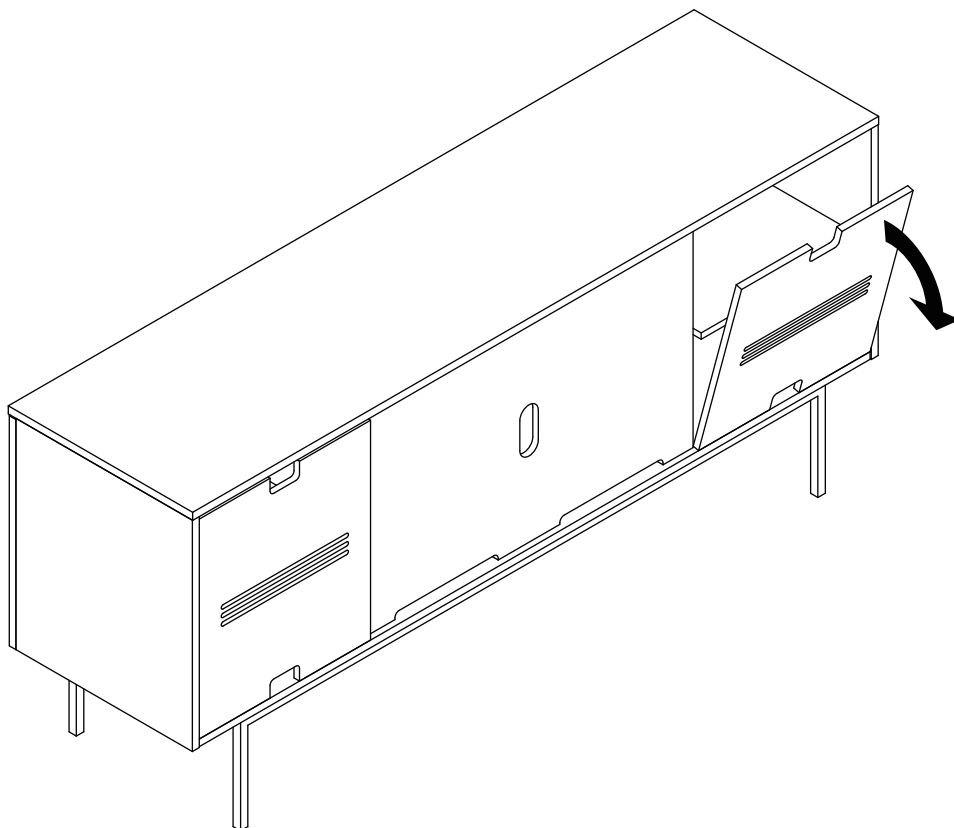
- 1** TV Stand Body x1



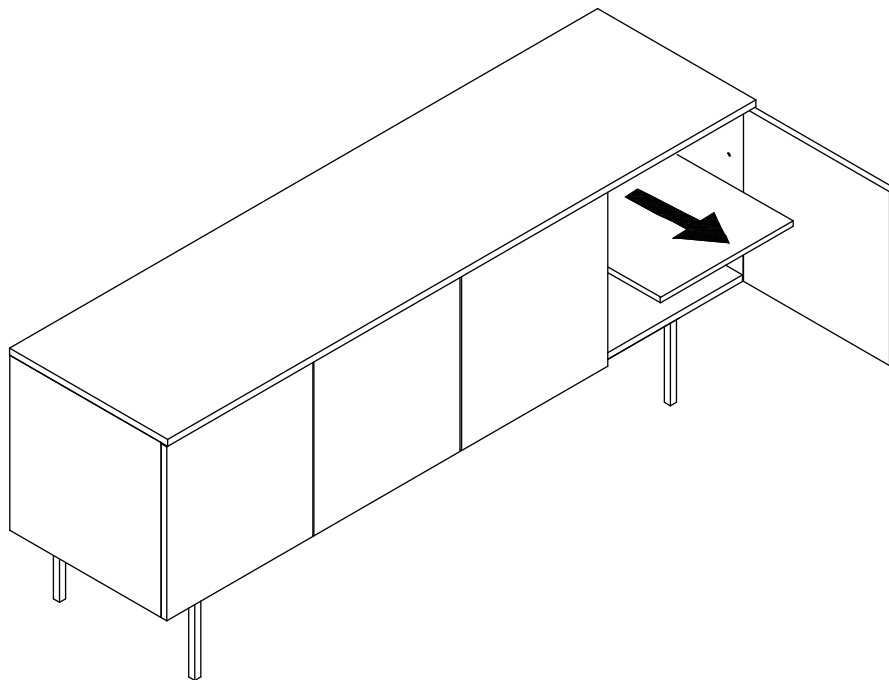
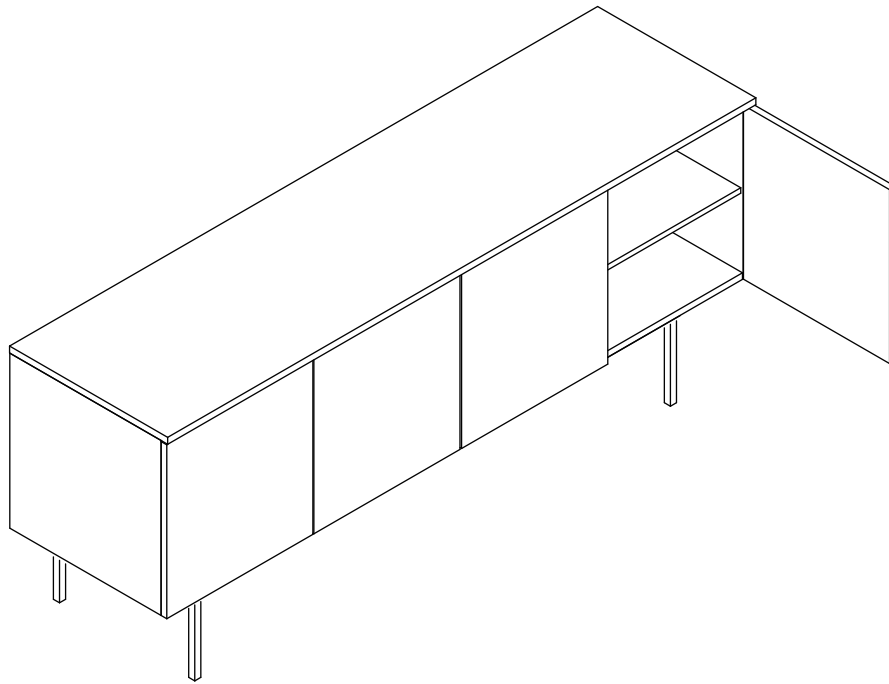
Guide to dismantle the back panel



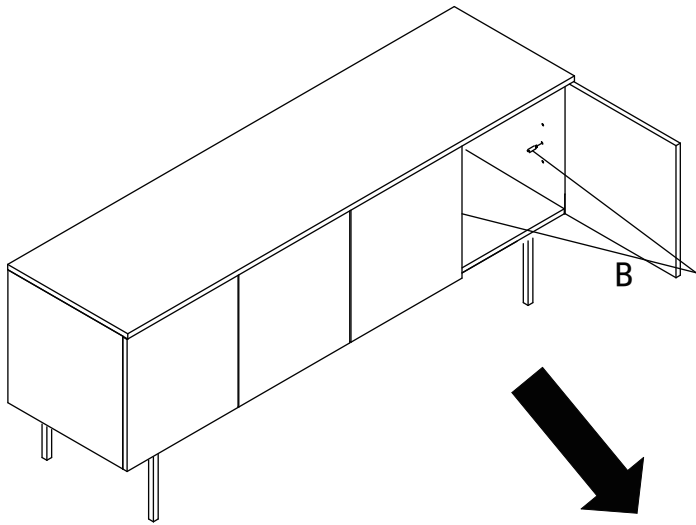
Back view



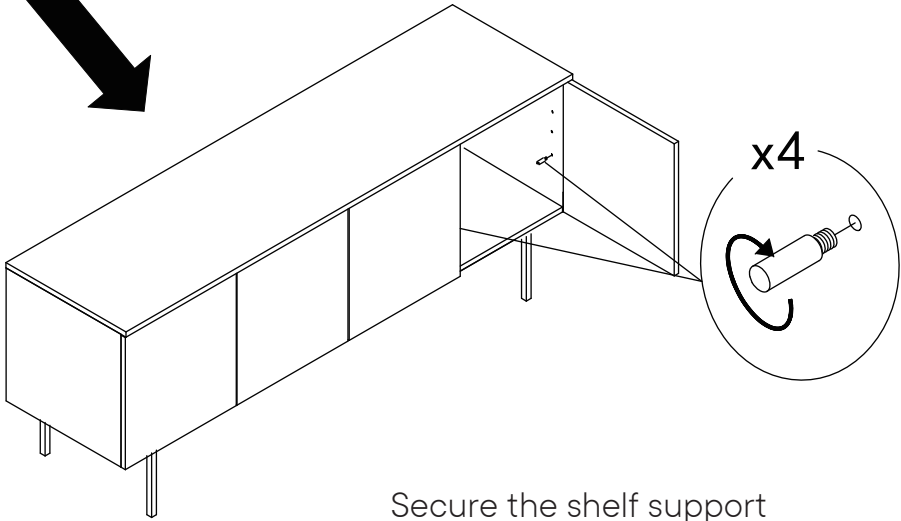
Guide to adjust the shelf height



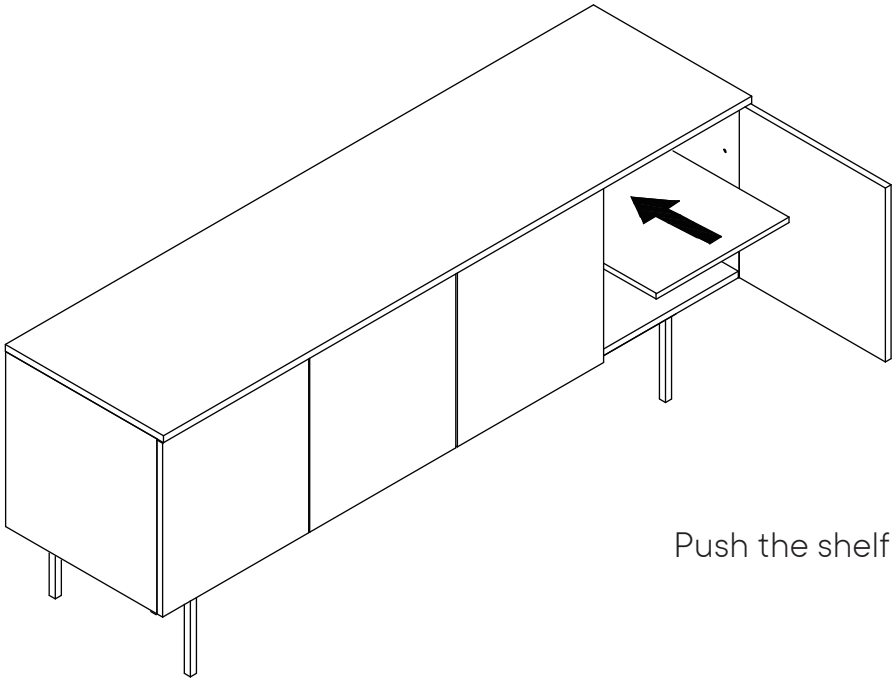
Open the door and pull out the shelf



Unscrew the shelf support to adjust the shelf height



Secure the shelf support



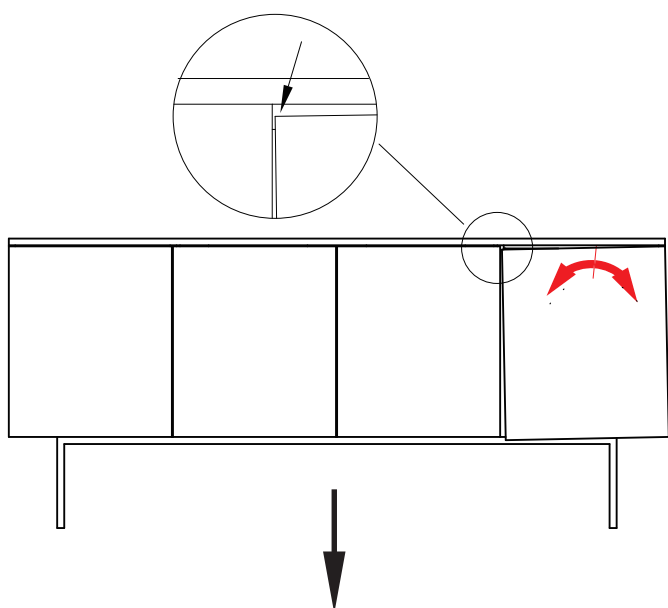
Push the shelf

Guide to hinges adjustment facilities

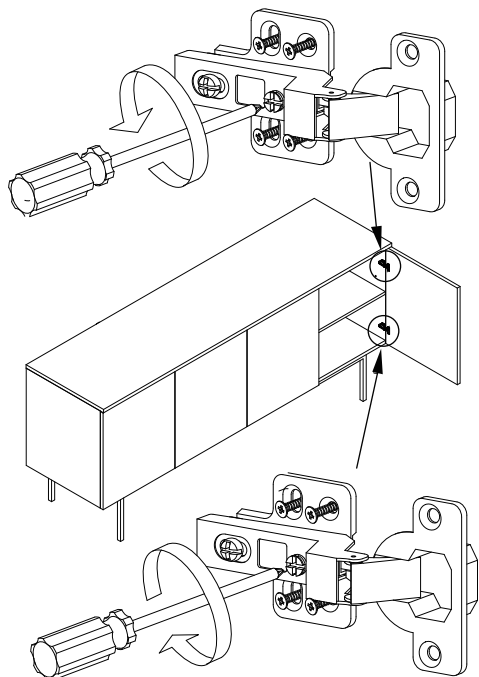
Warning : To ensure all hinges continue to work smoothly,
pls check them regularly and adjust them necessary.

Question 1

How to adjust the two door are not aligned and lower with screw adjustment?



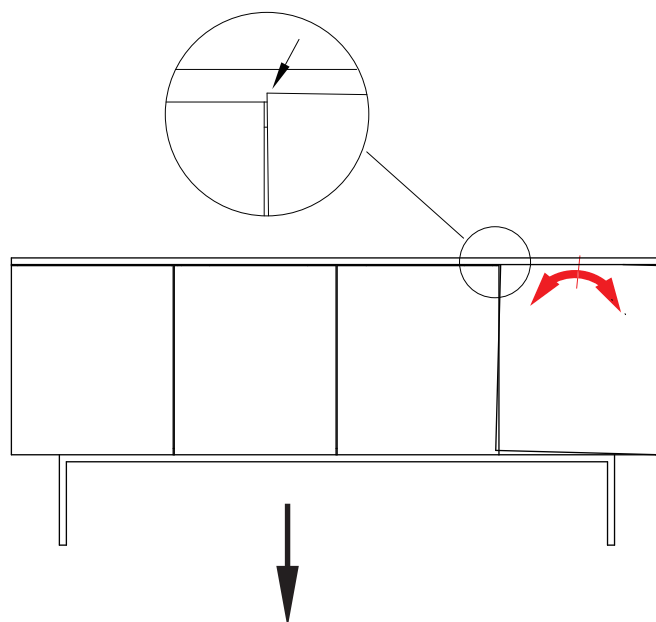
Turn left middle bolt adjuster properly until door is balanced



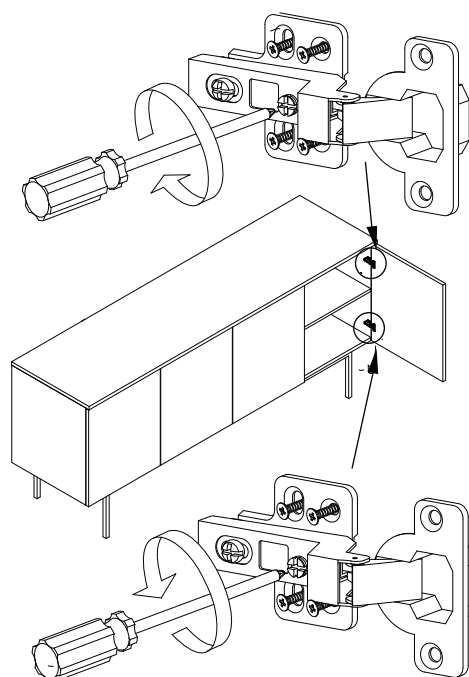
Turn right middle bolt adjuster properly until door is balanced

Question 2

How to adjust the two door are not aligned and higher with screw adjustment?



Turn right middle bolt adjuster properly until door is balanced



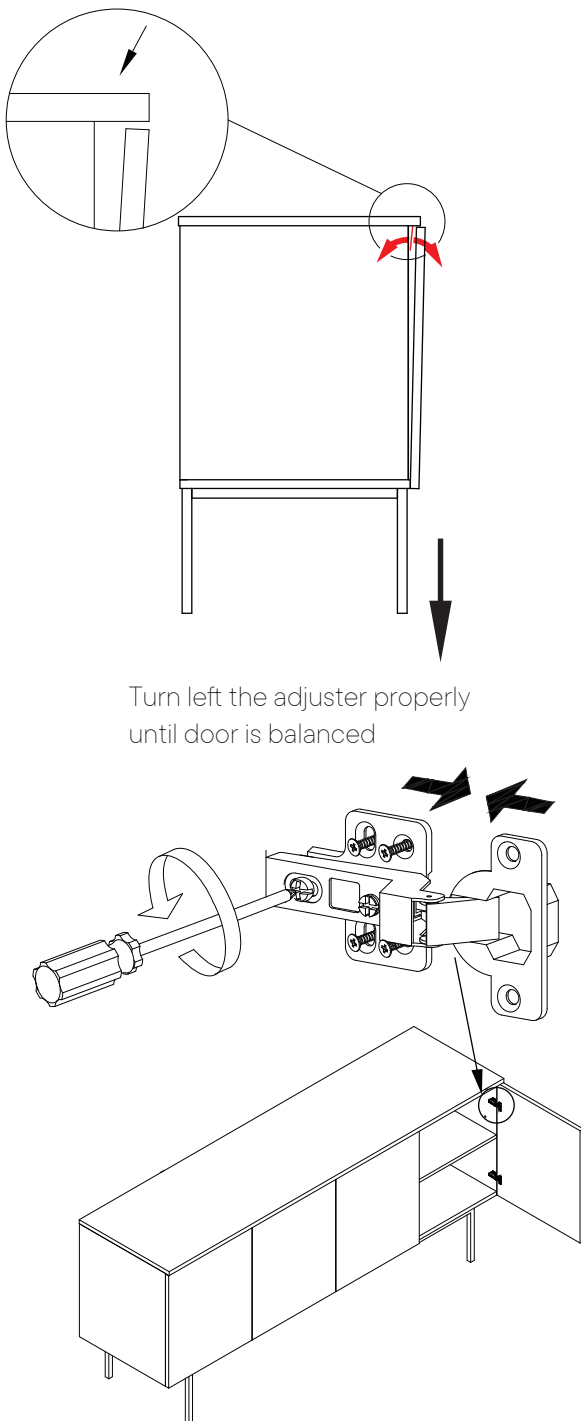
Turn left middle bolt adjuster properly until door is balanced

Guide to hinges adjustment facilities

Warning : To ensure all hinges continue to work smoothly,
pls check them regularly and adjust them necessary.

Question 3

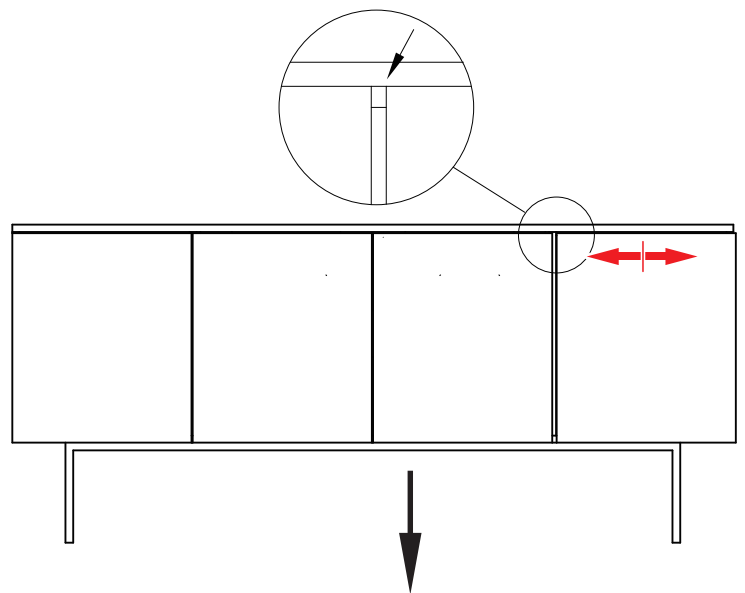
How to adjust the door gap at side with screw adjustment?



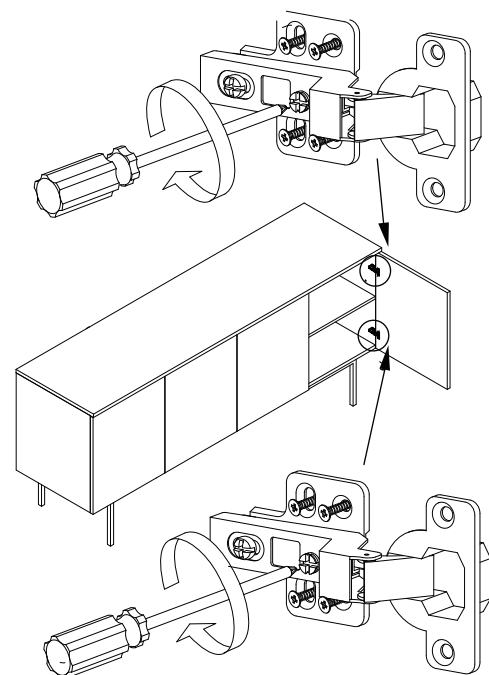
Turn left the adjuster properly
until door is balanced

Question 4

How to adjust the door gap at front with screw adjustment?



Turn right middle bolt adjuster properly
until door is balanced



Turn right middle bolt adjuster properly
until door is balanced

Great job!

TV stand assembly is complete

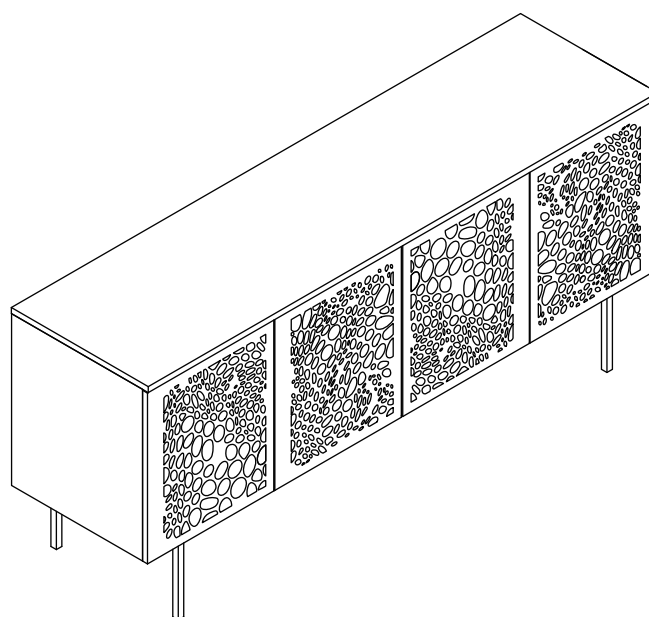
♥ CARING FOR YOUR ITEM

Indoor use only.

Not contract grade.

Clean using a non-abrasive cloth and a mild cleaner.

Never use harsh chemicals, as they could damage the finish or integrity of the item.



CONNECT WITH US!

Tag us [@modway_furniture](#) and [#modway](#) for a chance to be featured.