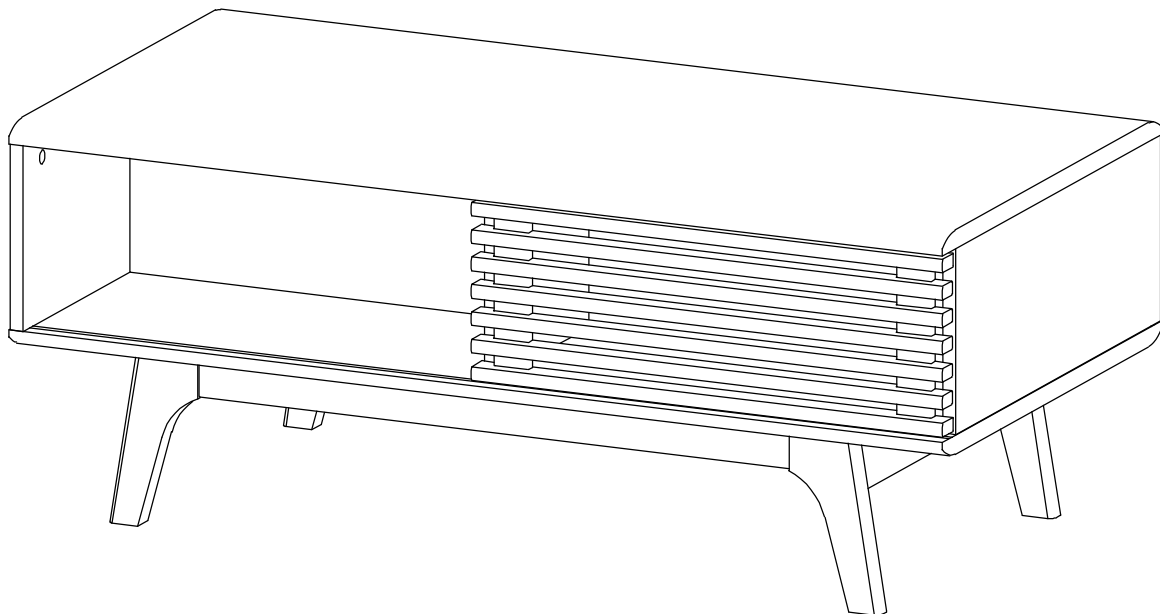


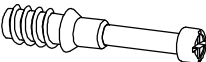








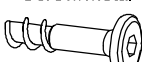


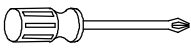
Thank you for purchasing the **MODWAY COFFEE TABLE** !

Before you start, here are some helpful advice:

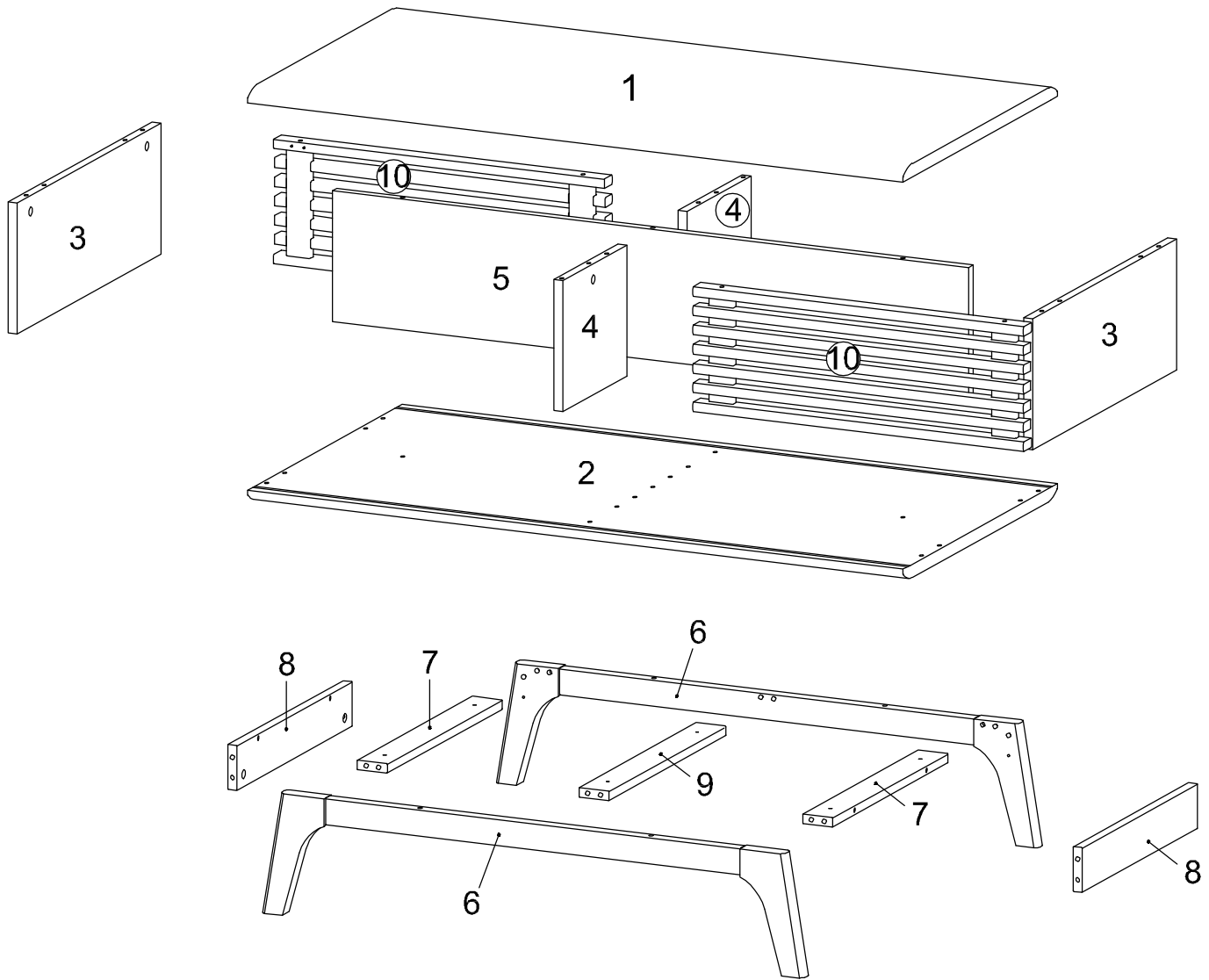
1. We suggest you spend a short time reading through this leaflet and then follow the simple step-by-step instructions.
2. Owing to the size and weight of the Coffee Table, we recommend that it is assembled by two adults, on a carpeted or padded area, in the room that it is intended for. Approximate assembly time: 60 minutes.
3. Please do not use any tools other than those Provided or recommended in these instructions.
4. Please do not throw away any of the packaging or instructions until you have checked all the components and hardware and the furniture is fully assembled.
5. Assemble all components loosely until advised to tighten. Depending on use, it may be necessary to tighten the components from time to time, so please save the tools that have been provided.
6. Please keep all pieces out of reach of children.



### Hardware :

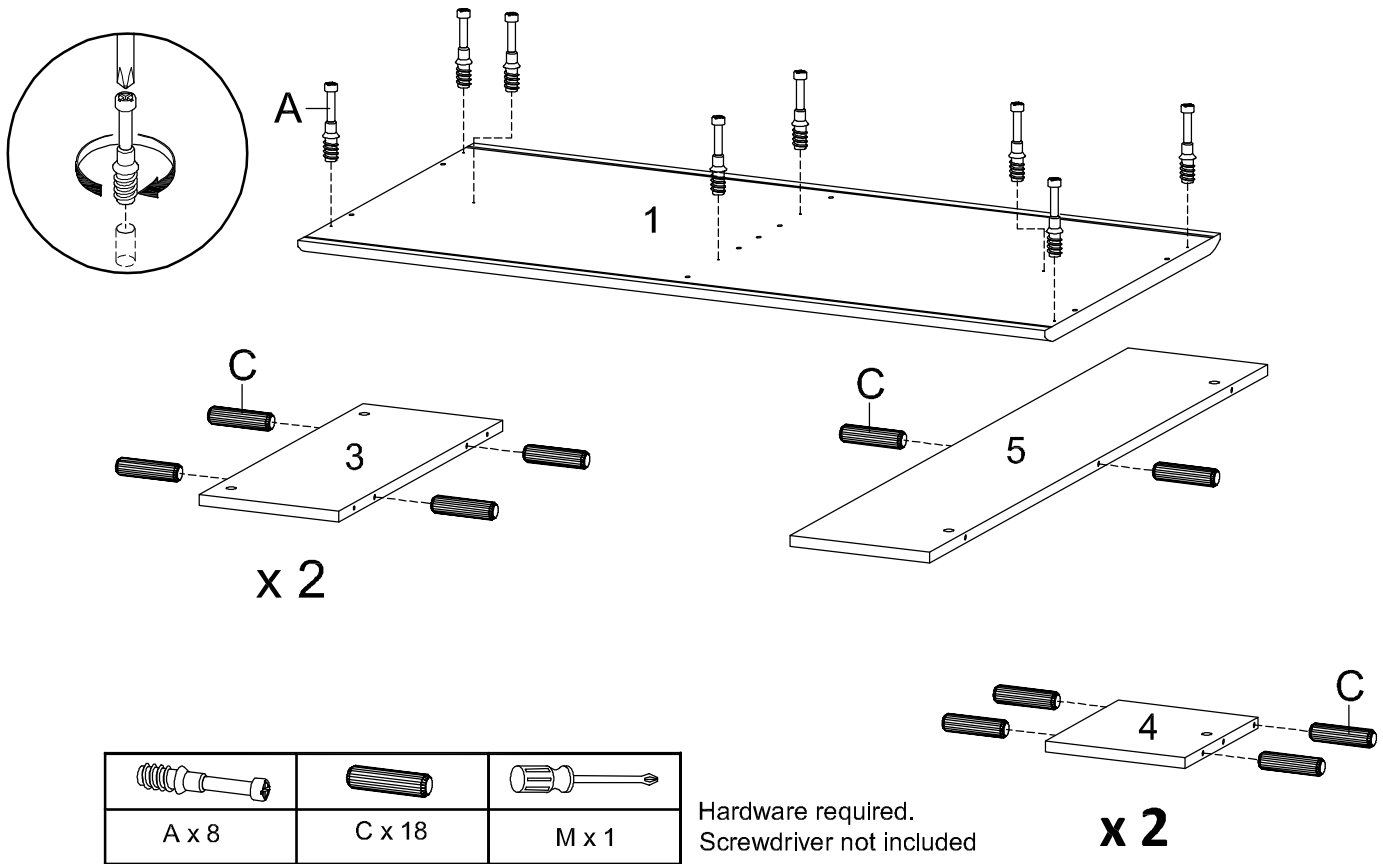
<b>A) Cambolt Big/Metal</b>  $\varnothing 6 \times 35 \text{ mm}$ x 12	<b>B) CamLock Big /Metal</b>  $\varnothing 15 \text{ mm}$ x 12	<b>C) Dowel /Wood</b>  $\varnothing 8 \times 30 \text{ mm}$ x 42	<b>D) Screw/Metal</b>  $M 7 \times 50 \text{ mm}$ x 8	<b>E) Hex/Allen Key/Metal</b>  $L 4$ x 1
<b>F) Pin Sliding Top/Plastic</b>  $\varnothing 8 \times 19 \text{ mm}$ x 4	<b>G) Pin Sliding Bottom/Plastic</b>  $\varnothing 8 \times 16 \text{ mm}$ x 4	<b>H) Stoper/Plastic</b>  $x 2$	<b>I) Screw Cap/Plastic</b>  $\varnothing 15 \text{ mm}$ x 8	<b>J) Screw/Metal</b>  $M 6.4 \times 25 \text{ mm}$ x 6
<b>K) Floor Protector/Sponge/Felt</b>  $25 \times 25 \times 2 \text{ mm}$ x 4	<b>L) Buffer/Rubber</b>  $\varnothing 8 \text{ mm}$ x 2	<b>M) Screwdriver (Not Include)</b>  $x 1$		

**Components:**

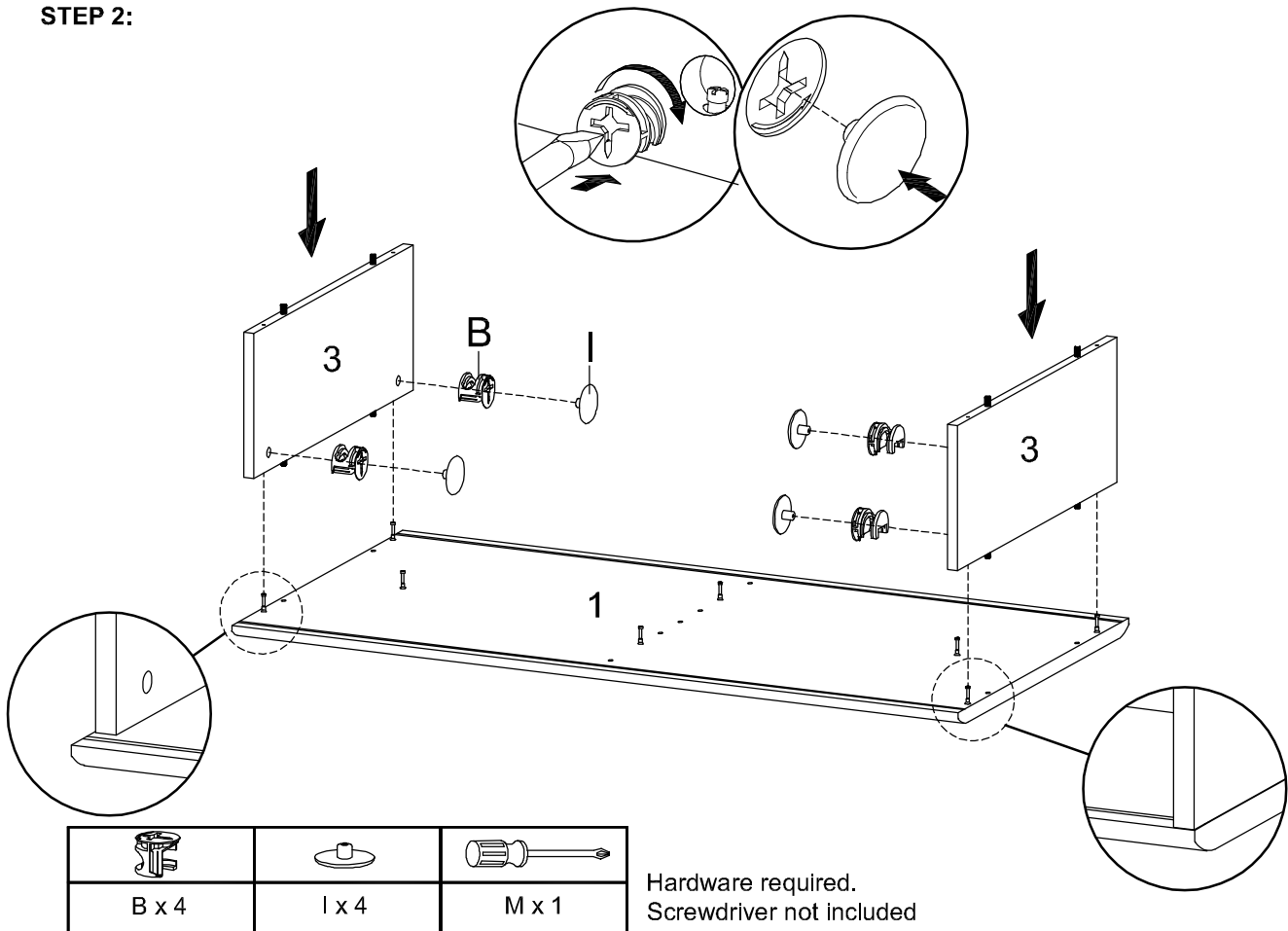


1 Top Board	x1	2 Bottom Board	x1	3 Side Board	x2	4 Center Board 1	x2
5 Center Board 2	x1	6 Assembly Leg	x2	7 Support Board 1	x2	8 Support Board 2	x2
9 Support Board 3	x1	10 Frame Door	x2				

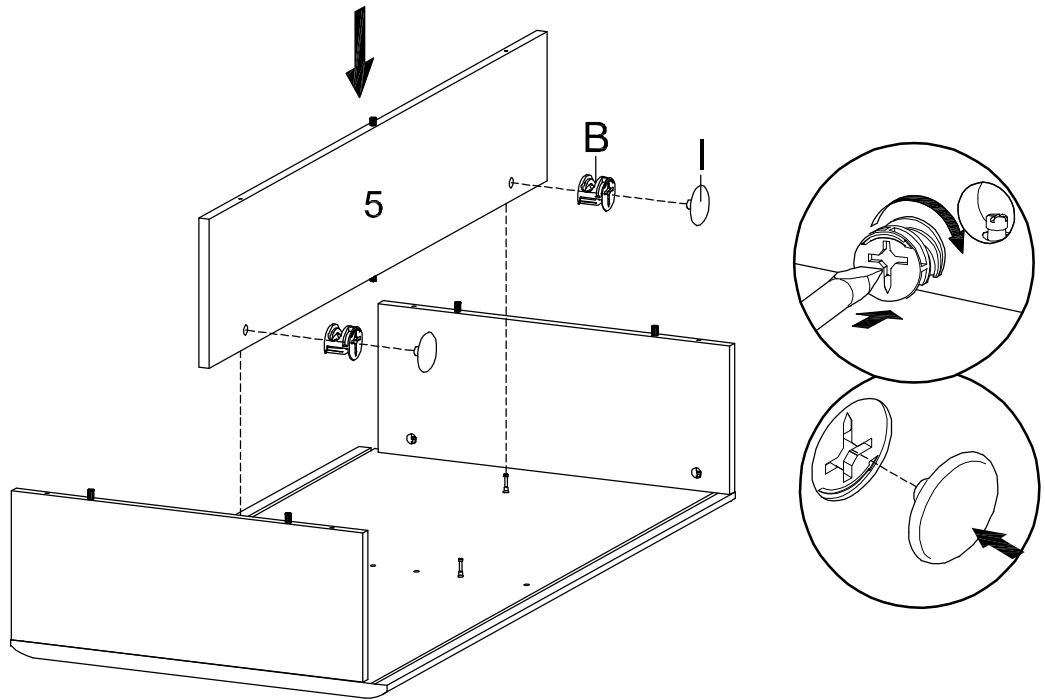
**STEP 1:**



**STEP 2:**



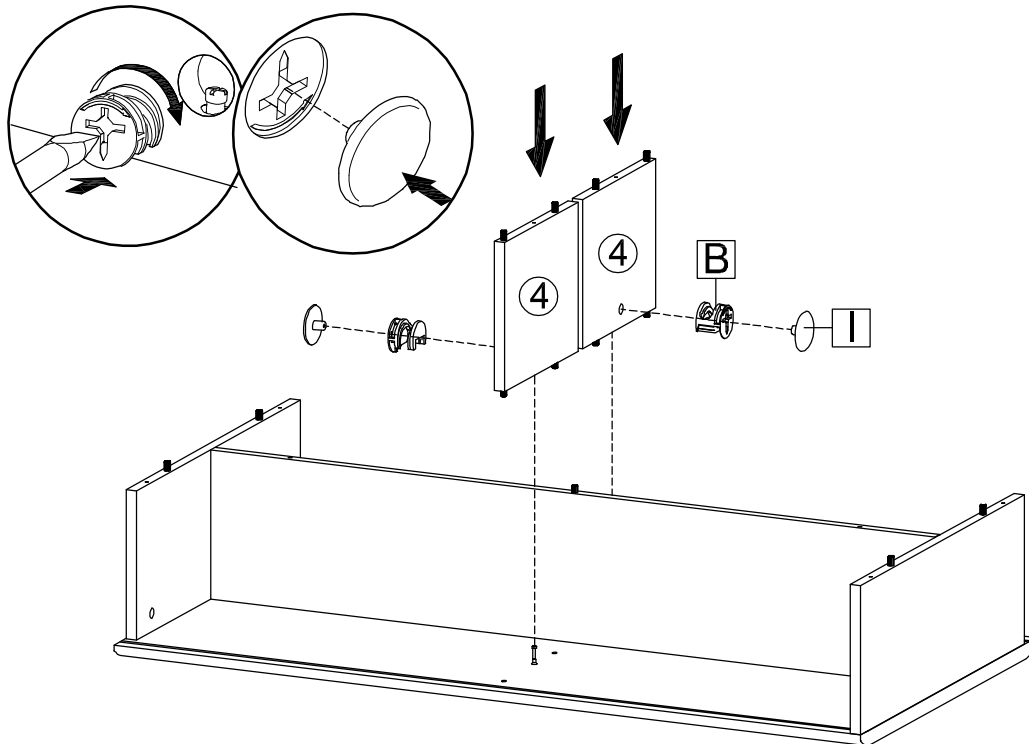
STEP 3:



B x 2	I x 2	M x 1

Hardware required.  
Screwdriver not included

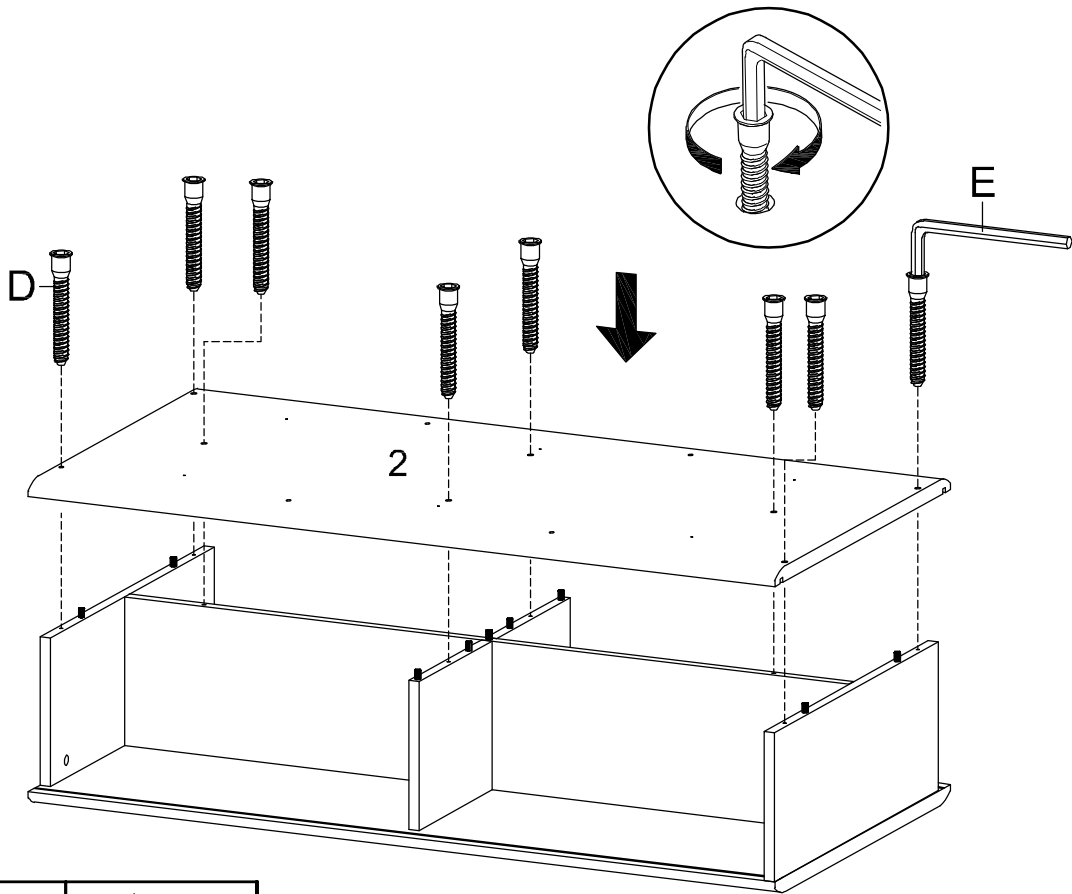
STEP 4:





B x 2	I x 2	M x 1

Hardware required.  
Screwdriver not included

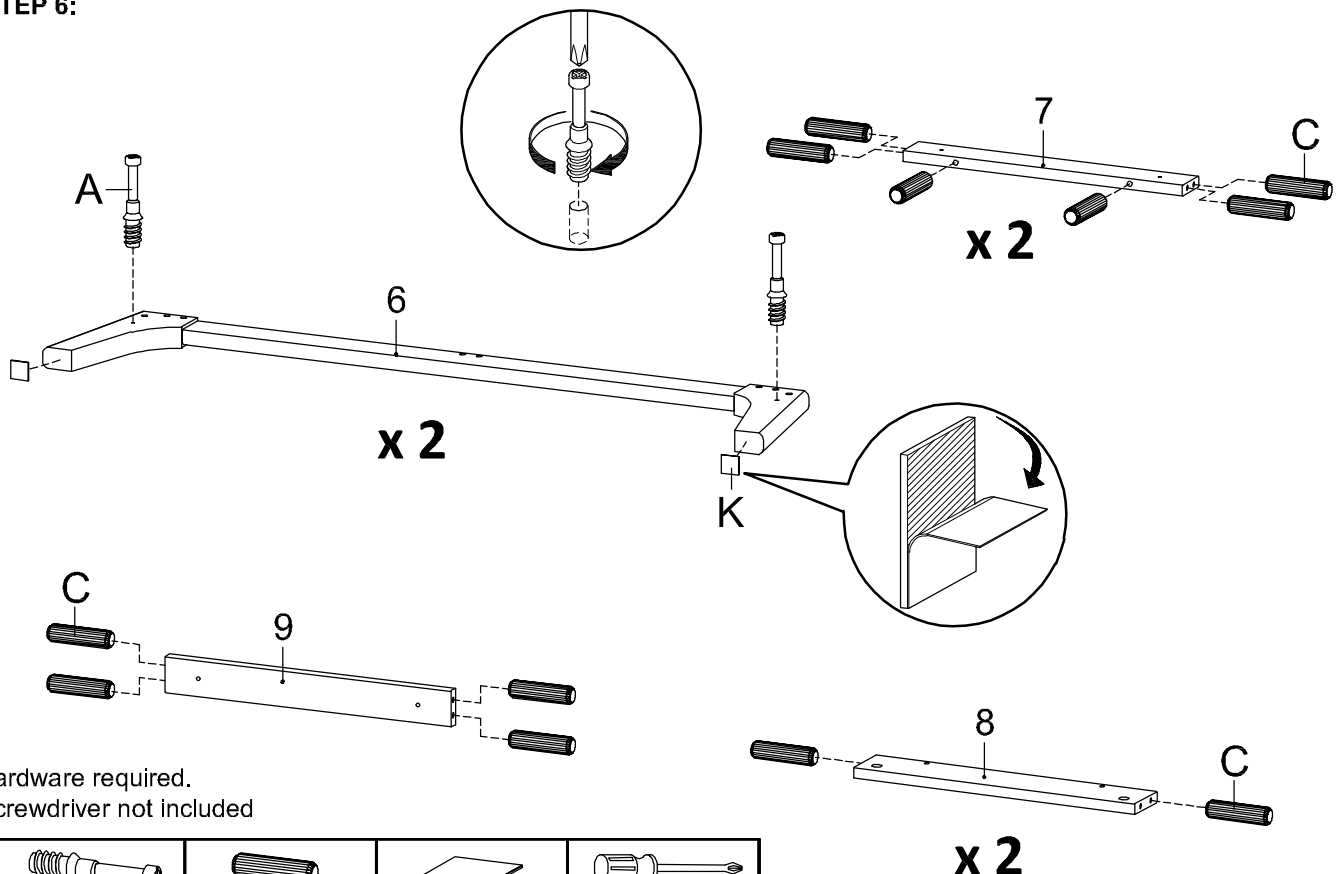
STEP 5:






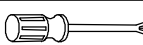
	
D x 8	E x 1

Hardware required.

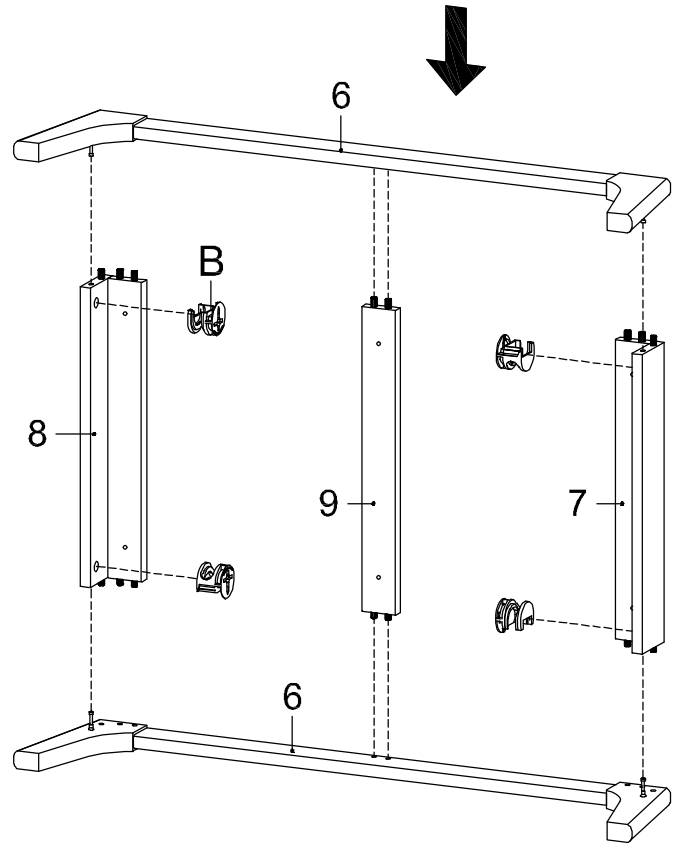
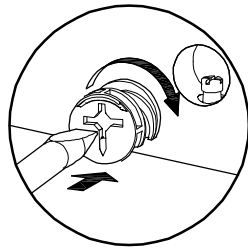
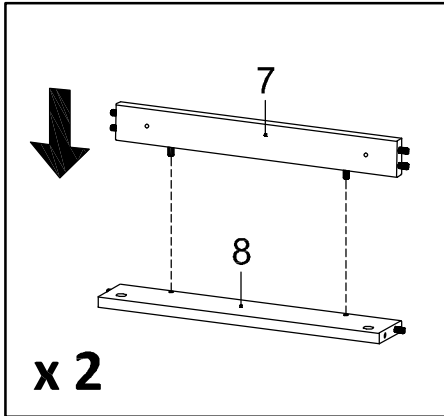
STEP 6:


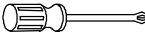


Hardware required.  
Screwdriver not included

			
A x 4	C x 20	K x 4	M x 1

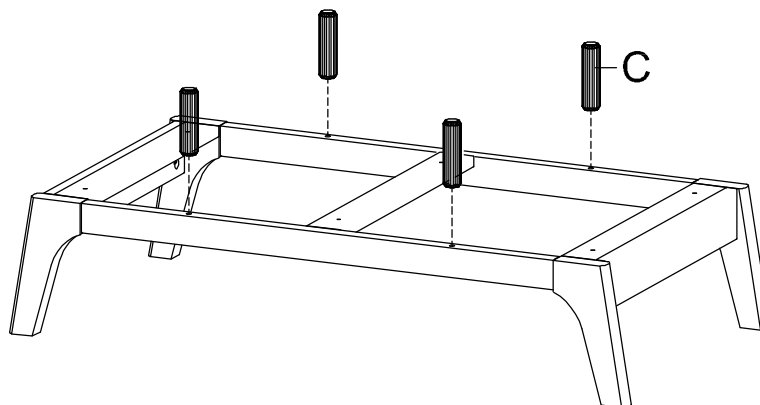
STEP 7:




	
B x 4	M x 1

Hardware required.  
Screwdriver not included

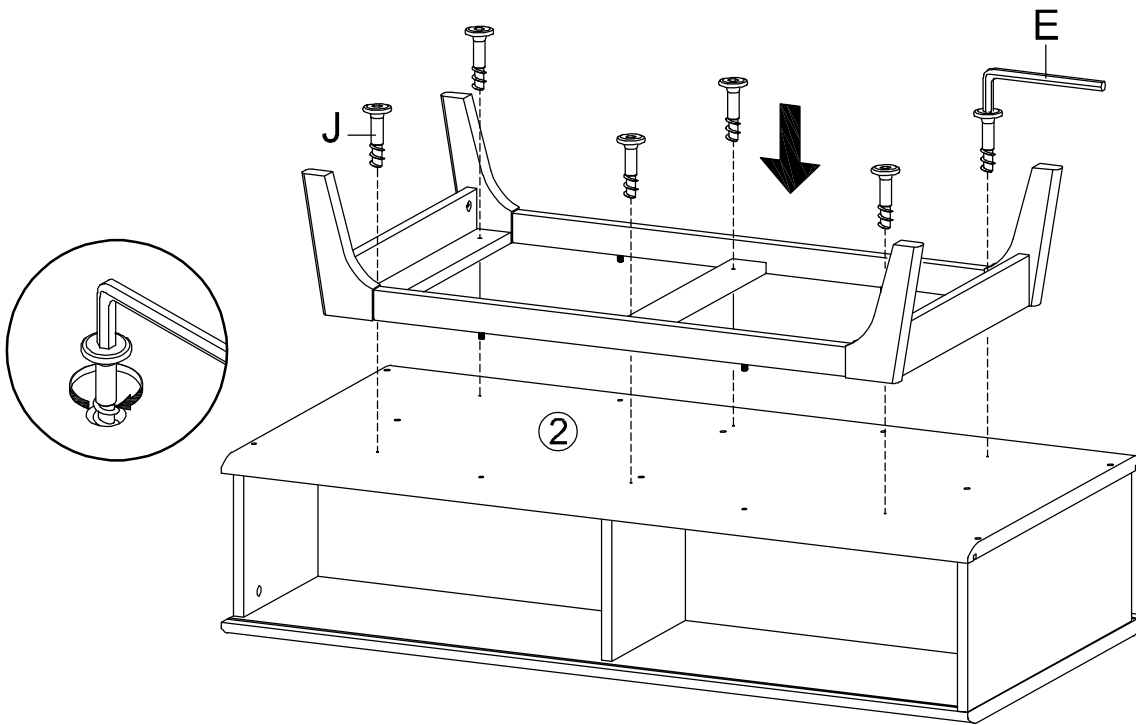
STEP 8:




C x 4

Hardware required.

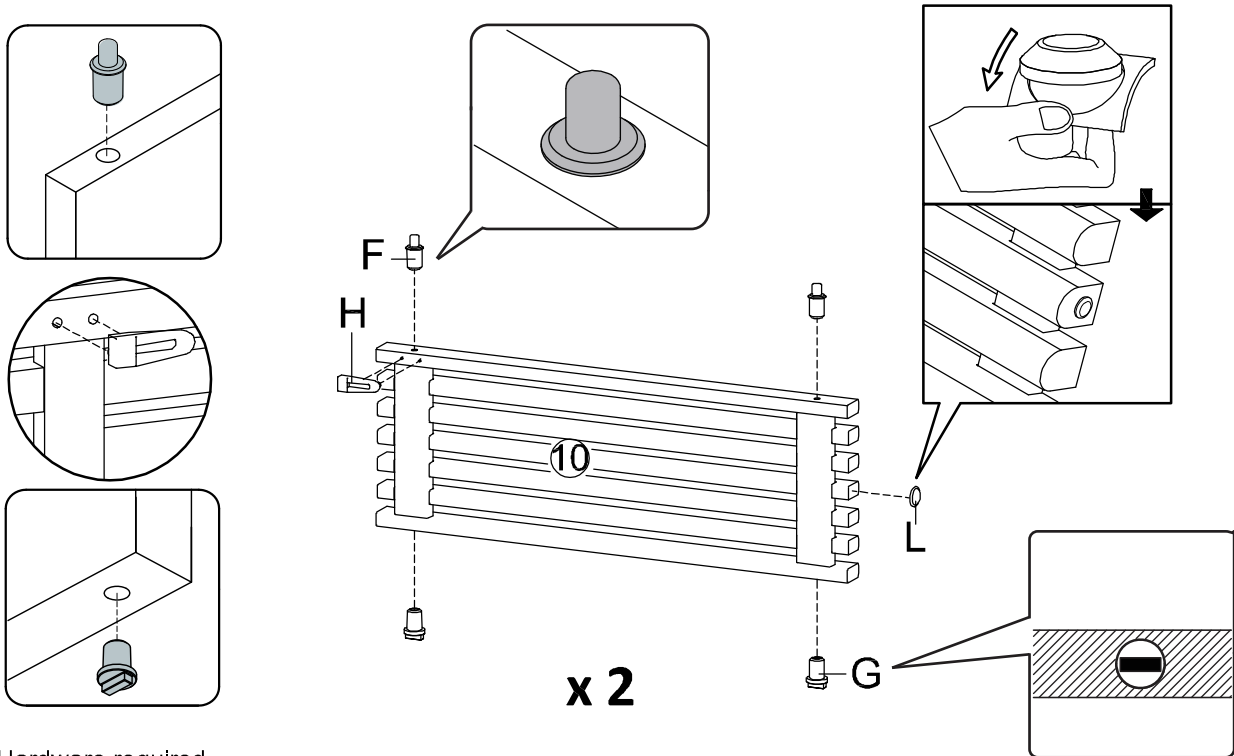
STEP 9:



E	J x 6

Hardware required.

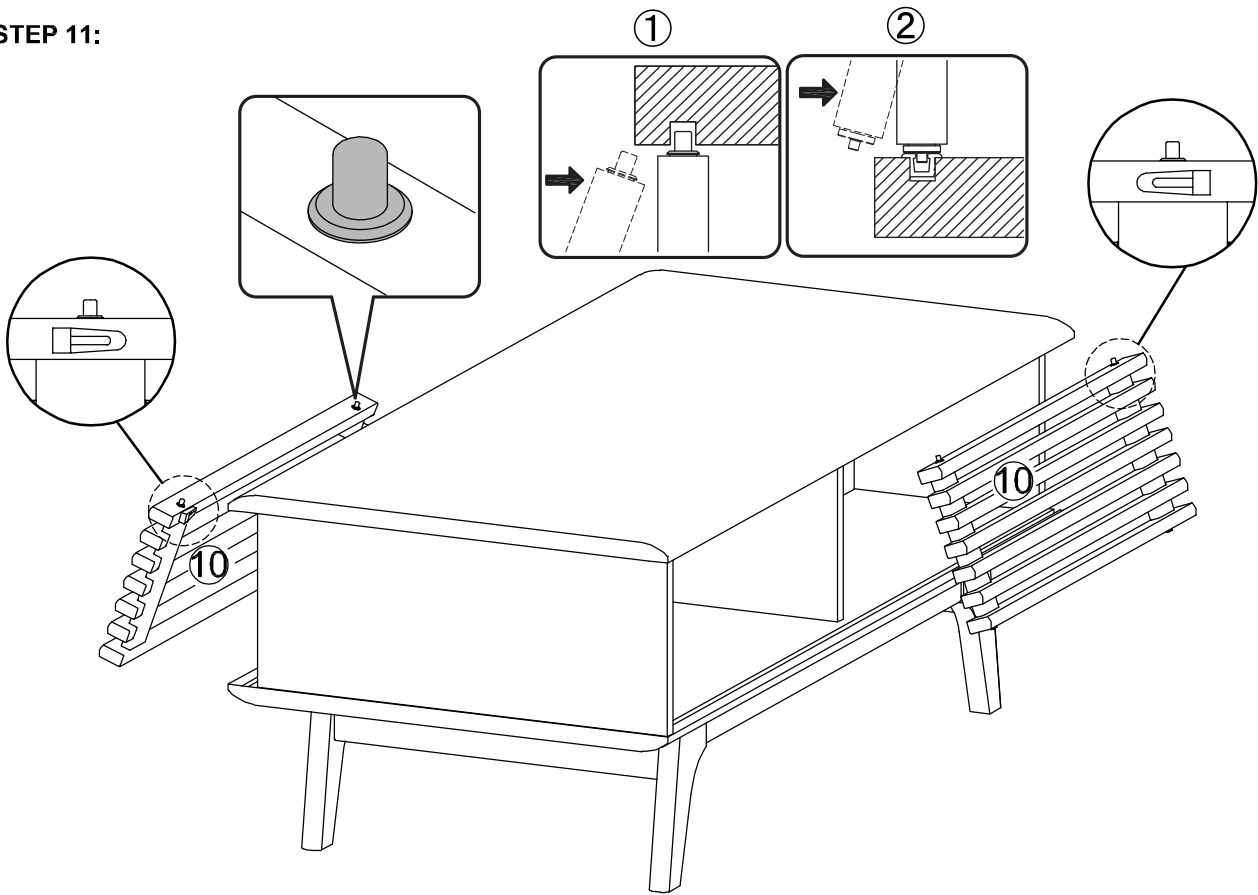
STEP 10:



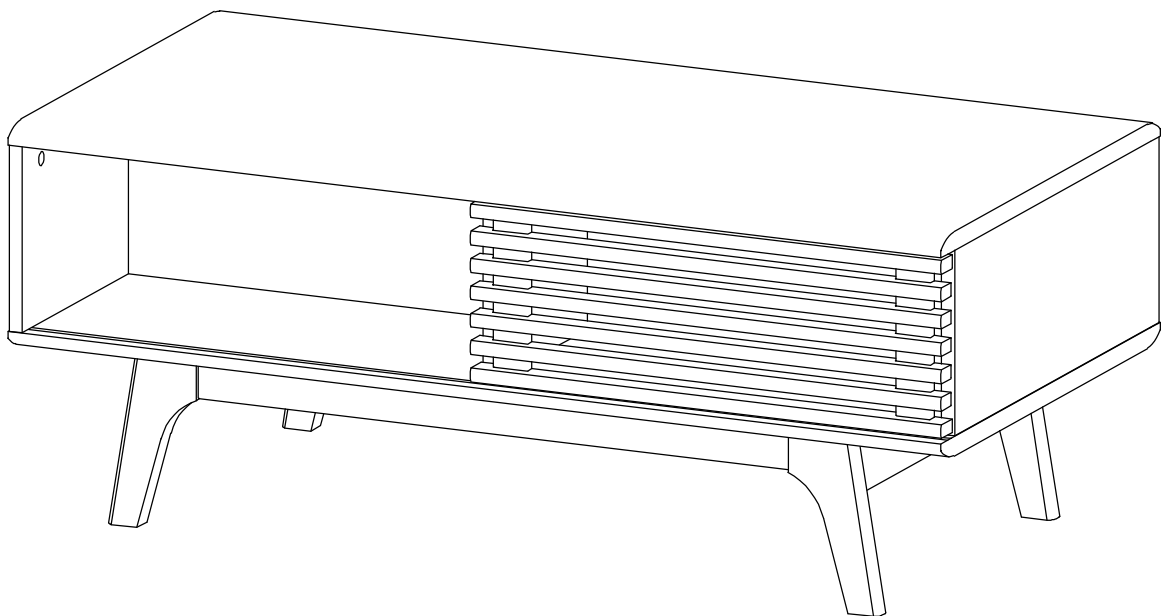
Hardware required.  
Screwdriver not included

F x 4	G x 4	H x 2	L x 2

**STEP 11:**



**STEP 12:**



**Assembly is complete. The Coffee Table is ready to enjoy now !**