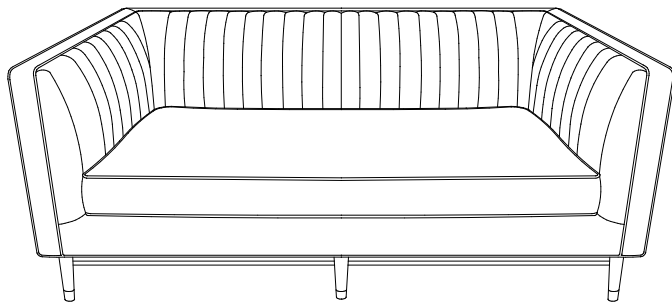


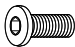

Thank you for purchasing the **MODWAY LOVESEAT/SOFA!**

Before you start, here are some helpful advice:

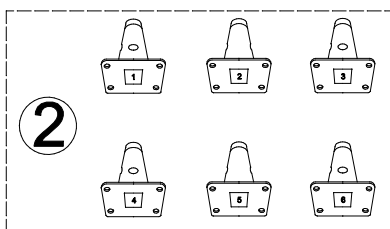
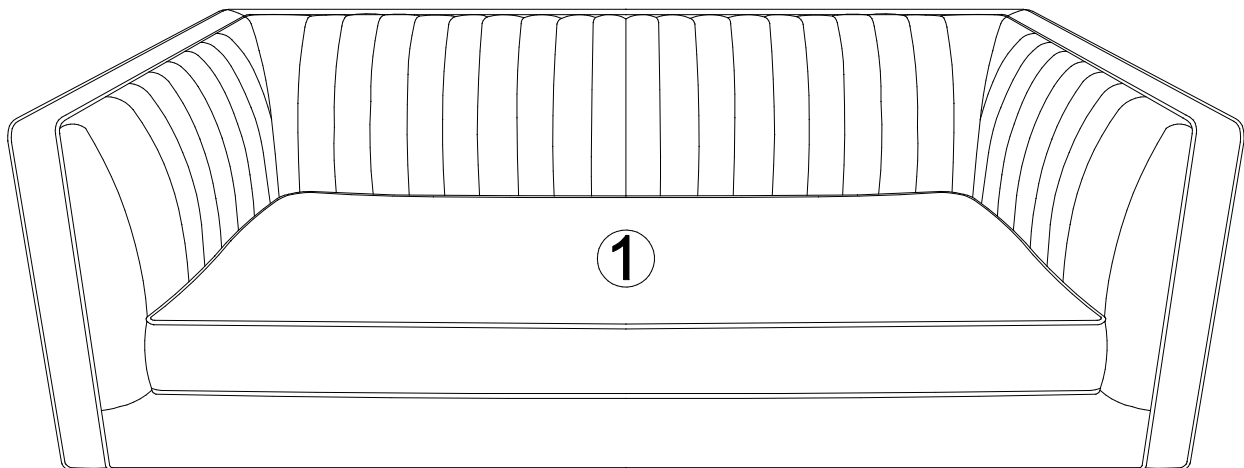
1. We suggest you spend a short time reading through this leaflet and then follow the simple step-by-step instructions.
2. Owing to the size and weight of the loveseat/sofa, we recommend that it is assembled by two adults, on a carpeted or padded area, in the room that it is intended for. Approximate assembly time: 30 minutes.
3. Please do not use any tools other than those provided or recommended in these instructions.
4. Please do not throw away any of the packaging or the instruction until you have checked all the components and hardware and the furniture is fully assembled. Please ensure that the packaging is disposed of in a safe and environmentally friendly way.
5. Assemble all components loosely until advised to tighten. Depending on use, it may be necessary to tighten the components from time to time, so please save the tools that have been provided.
6. Please keep all pieces out of reach of children.



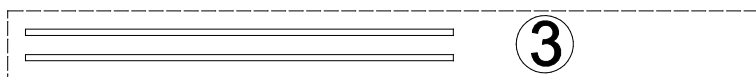
**Hardware:**

- A.  Bolt M6x10mm x24
- B.  Allen Wrench M6 x1

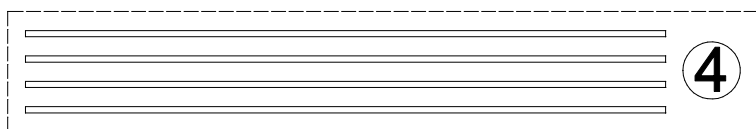
**Components:**



1. Sofa Body x1



3. Shorter Wood Bar x2

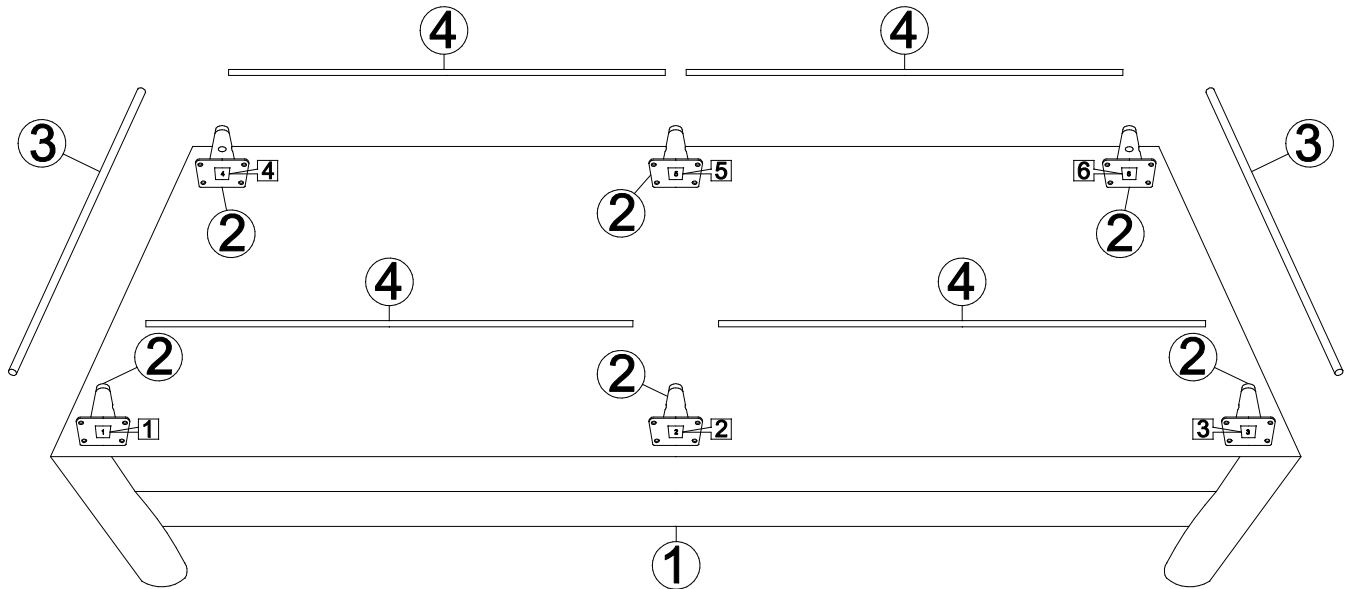


2. Wood Leg with numbered x6

4. Longer Wood Bar x4

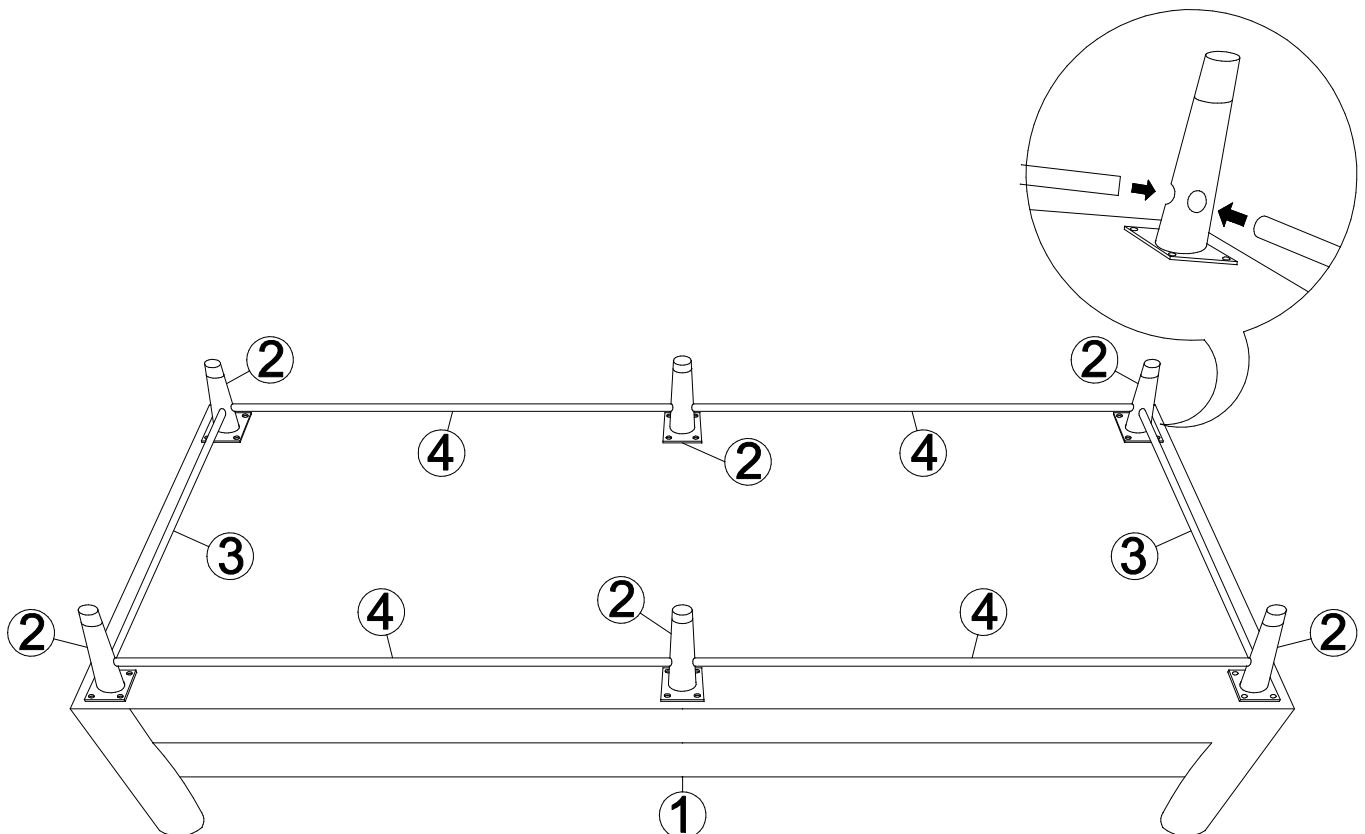
**STEP 1:**

1. Put **Sofa Body (1)** upside down on a carpeted or padded surface.
2. Place 6 pieces of **Wood Legs with numbered (2)** on the **Sofa Body (1)** as shown.
3. Place 2 pieces of **Shorter Wood Bars (3)** and 4 pieces of **Longer Wood Bars (4)** on **Sofa Body (1)** as shown.



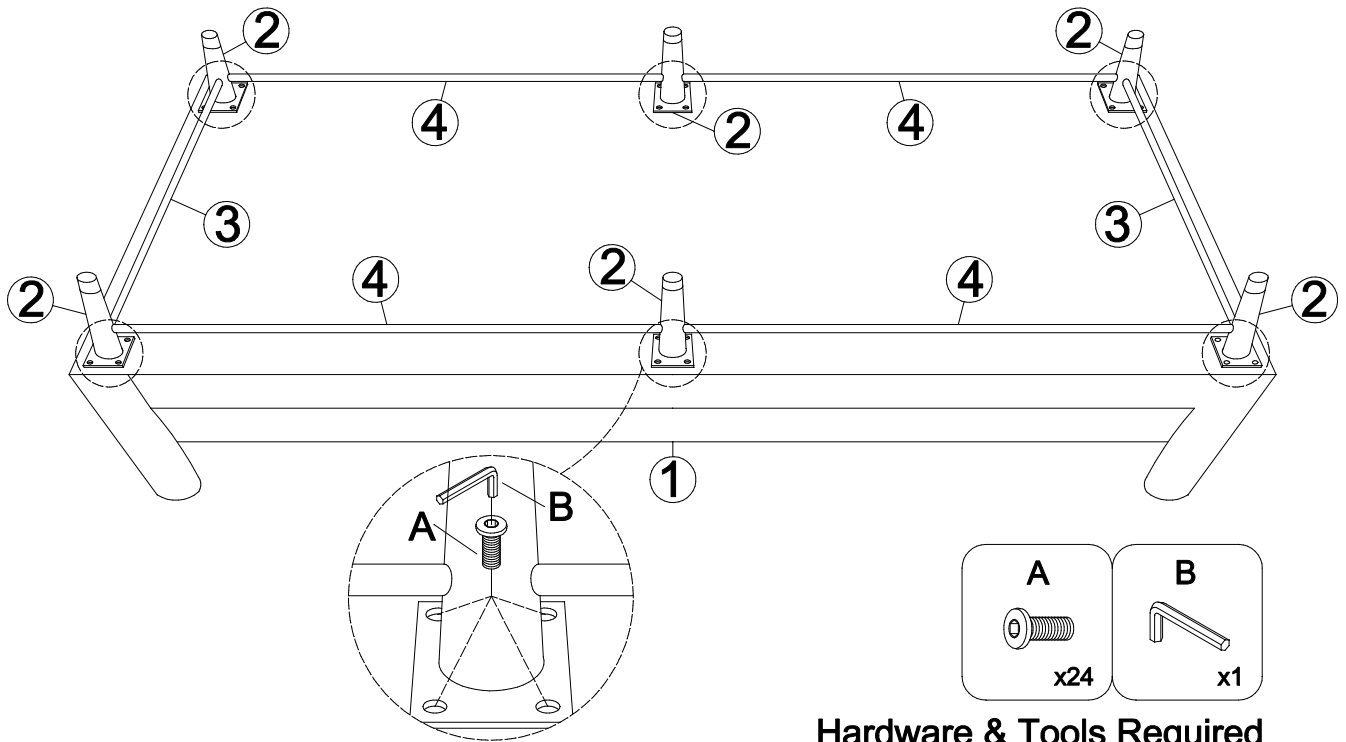
**STEP 2:**

Insert 2 pieces of **Shorter Wood Bars (3)** and 4 pieces of **Longer Wood Bars (4)** to the holes of **Wood Legs with numbered (2)** as shown.



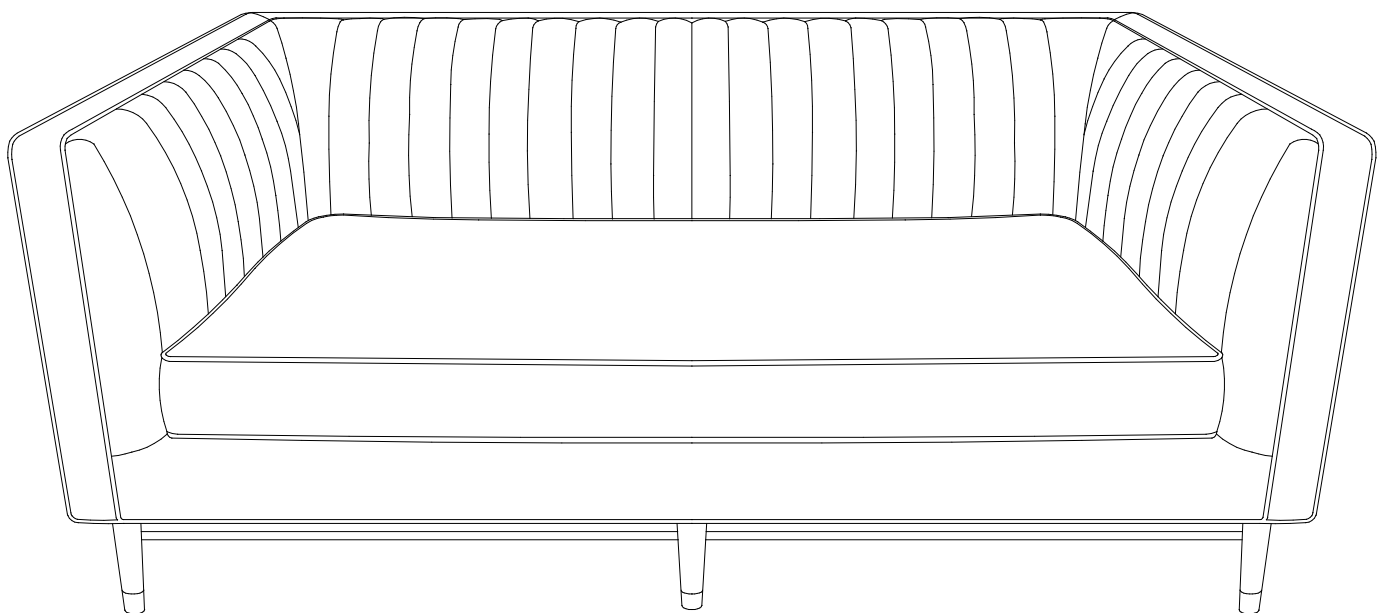
**STEP 3:**

Attach 6 pieces of **Wood Legs with numbered (2)** to **Sofa Body (1)** by using 24 pieces of **Bolts (A)** as shown. Use **Allen Wrench (B)** to tighten all **Bolts (A)** clockwise until secure.



**STEP 4**

Carefully turn over the assembled **Sofa Body (1)** and **Wood Legs with numbered (2)** by two adults



Assembly is complete. Your sofa is ready to enjoy now