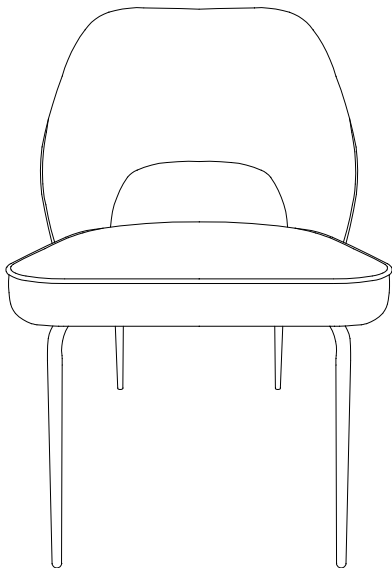


Thank you for purchasing the **MODWAY CHAIR**.

Before you start, here are some helpful advice:

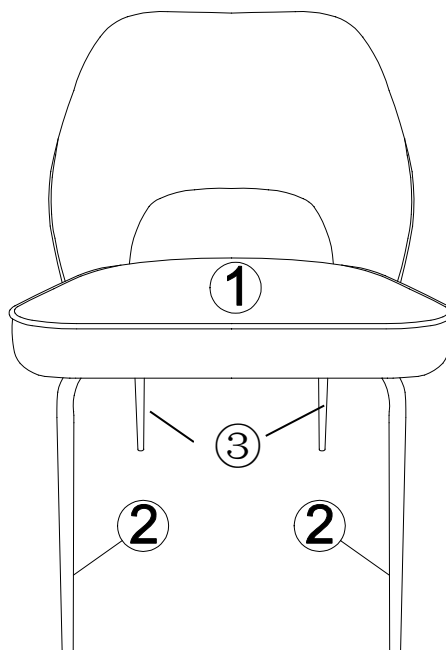
1. We suggest you spend a short time reading through this leaflet and then follow the simple step-by-step instructions.
2. Owing to the size and weight of the chair, we recommend that it is assembled by two adults, on a carpeted or padded area, in the room that it is intended for. Approximate assembly time: 30 minutes.
3. Please do not use any tools other than those provided or recommended in these instructions.
4. Please do not throw away any of the packaging or the instruction until you have checked all the components and hardware and the furniture is fully assembled. Please ensure that the packaging is disposed of in a safe and environmentally friendly way.
5. Assemble all components loosely until advised to tighten. Depending on use, it may be necessary to tighten the components from time to time, so please save the tools that have been provided.
6. Please keep all pieces out of reach of children.



Hardware:

- | | | | |
|----|--|---------------|----|
| A. | | Bolt M8x12mm | x2 |
| B. | | Bolt M8x40mm | x4 |
| C. | | Spring Washer | x4 |
| D. | | Flat Washer | x4 |
| E. | | Allen Wrench | x1 |

Components:



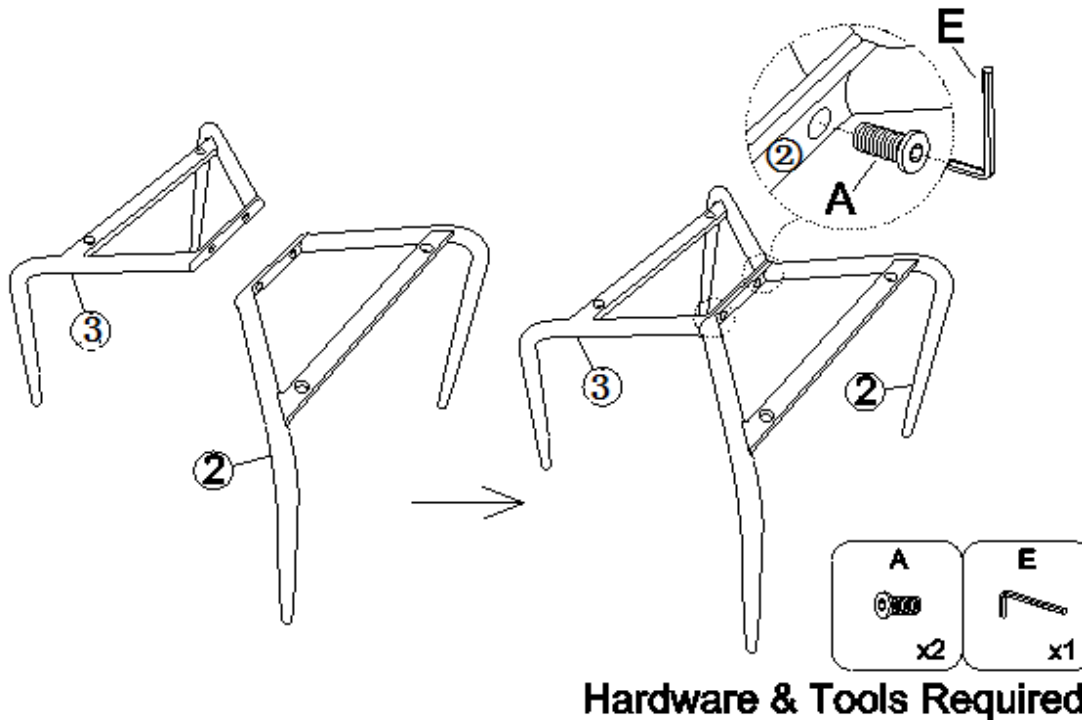
1. Chair Body x1

2. Front Leg x1

3. Back Leg x1

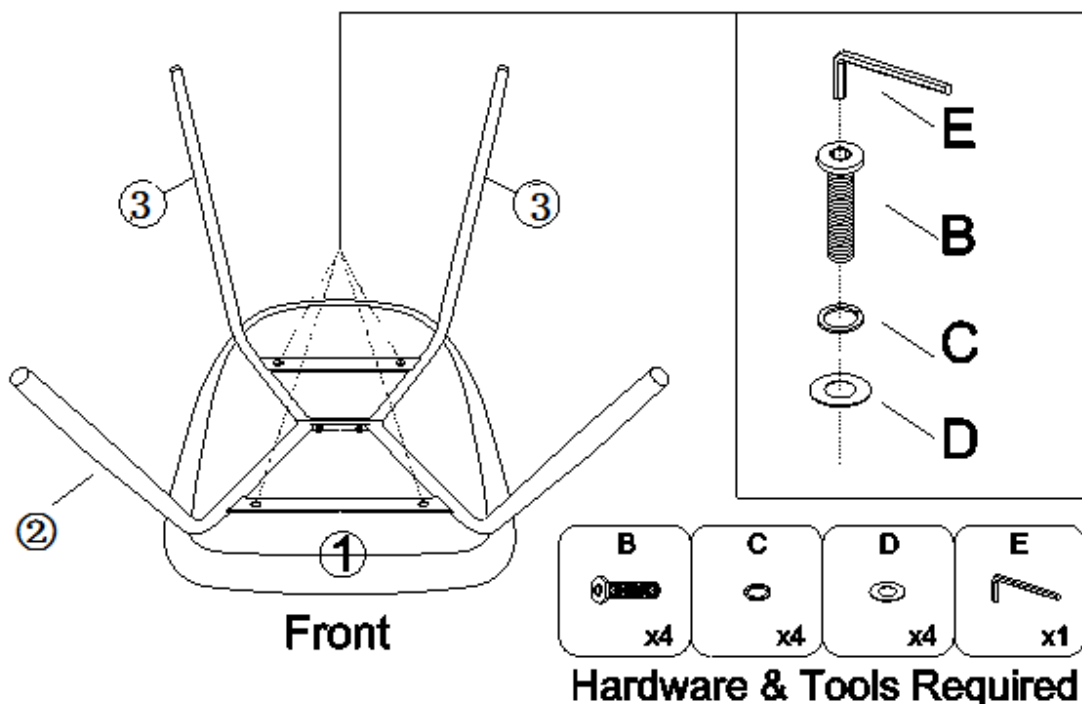
STEP 1:

1. Attach the **Front Leg (2)** and **Back Leg (3)** by using 2 pieces of **Bolts (A)** as shown.
2. Use **Allen Wrench (E)** to tighten **Bolts (A)** as shown. Do not fully tighten **Bolts (A)**.



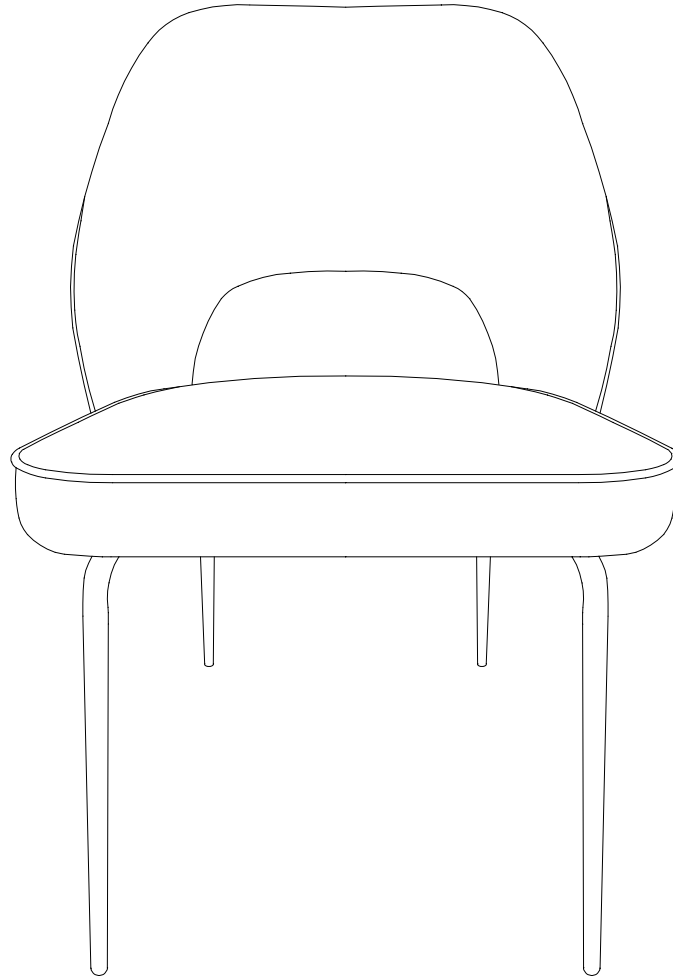
STEP 2:

1. Please put **Chair Body (1)** upside down on a carpeted or padded surface.
2. Put the assembled **Front Leg (2)** and **Back Leg (3)** on the **Chair Body (1)** as shown.
3. Insert 4 pieces of **Bolts (B)** with 4 pieces of **Spring Washers (C)** and 4 pieces of **Flat Washers (D)** from the pre-drilled holes on the assembled **Front Leg (2)** and **Back Leg (3)** into the **Chair Body (1)** as shown.
(Note: the wider side is the front of the chair body, the narrower side is the back of the chair body.)
4. Use **Allen Wrench (E)** to tighten **Bolts (B)** as shown. Do not fully tighten **Bolts (B)**.
5. When all parts are fixed, please fully tighten all **Bolts (A&B)**.



STEP 3:

Carefully turn over the assembled chair.



Assembly is complete. Your chair is ready to enjoy now!