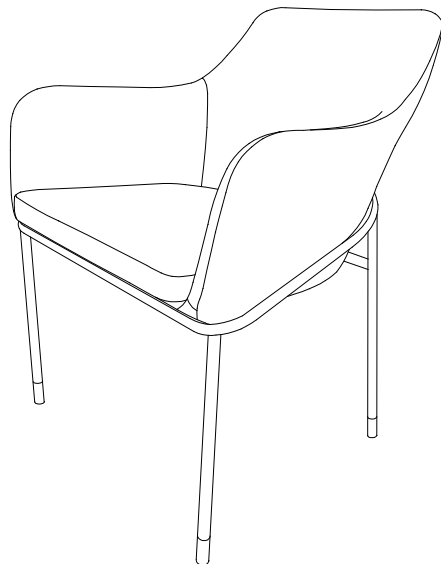


Thank you for purchasing the **MODWAY CHAIR**.

Before you start, here are some helpful advice:

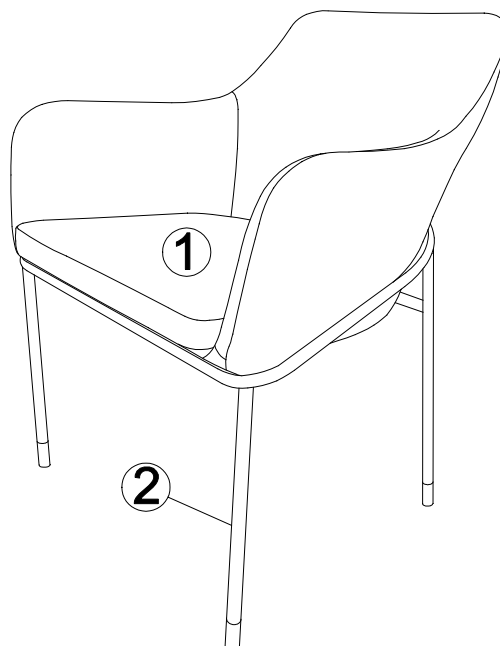
1. We suggest you spend a short time reading through this leaflet and then follow the simple step-by-step instructions.
2. Owing to the size and weight of the chair, we recommend that it is assembled by two adults, on a carpeted or padded area, in the room that it is intended for. Approximate assembly time: 30 minutes.
3. Please do not use any tools other than those provided or recommended in these instructions.
4. Please do not throw away any of the packaging or the instruction until you have checked all the components and hardware and the furniture is fully assembled. Please ensure that the packaging is disposed of in a safe and environmentally friendly way.
5. Assemble all components loosely until advised to tighten. Depending on use, it may be necessary to tighten the components from time to time, so please save the tools that have been provided.
6. Please keep all pieces out of reach of children.



Hardware:

- | | | | |
|----|--|---------------|----|
| A. | | Bolt M6x30mm | x4 |
| B. | | Spring Washer | x4 |
| C. | | Flat Washer | x4 |
| D. | | Allen Wrench | x1 |

Components:

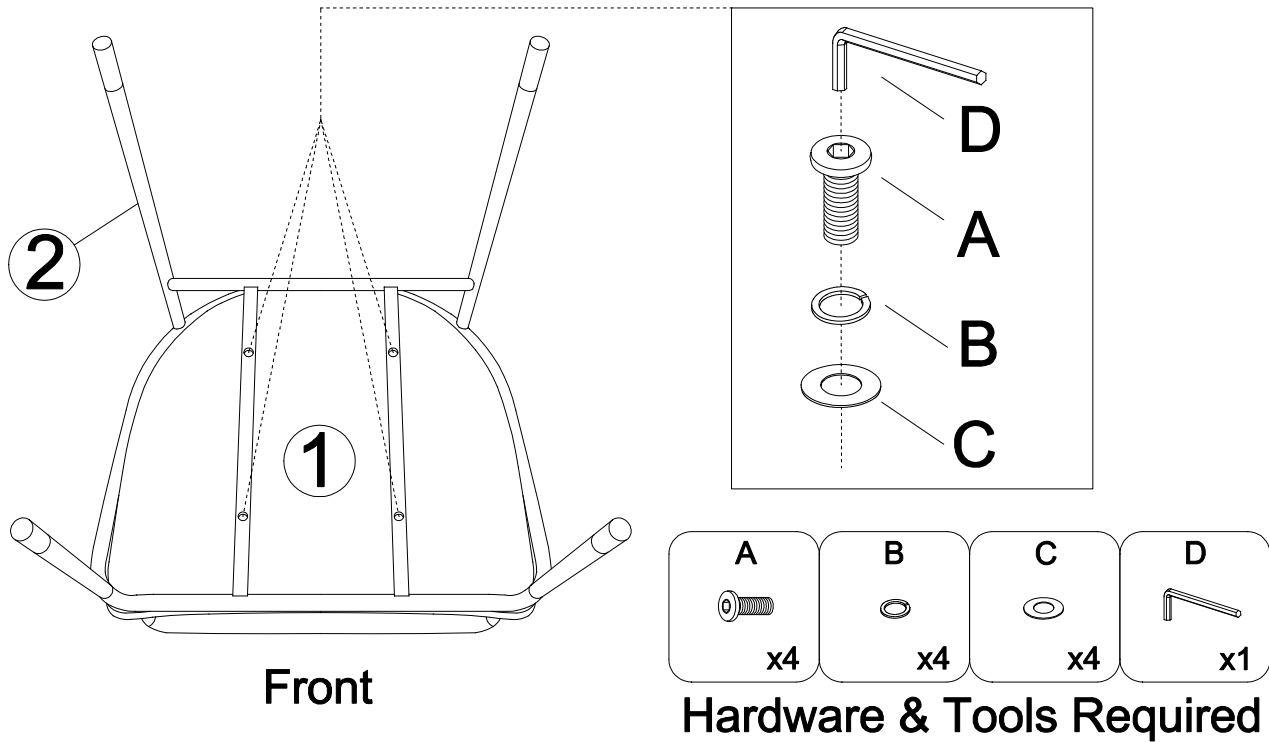


1. Chair Body x1

2. Chair Base x1

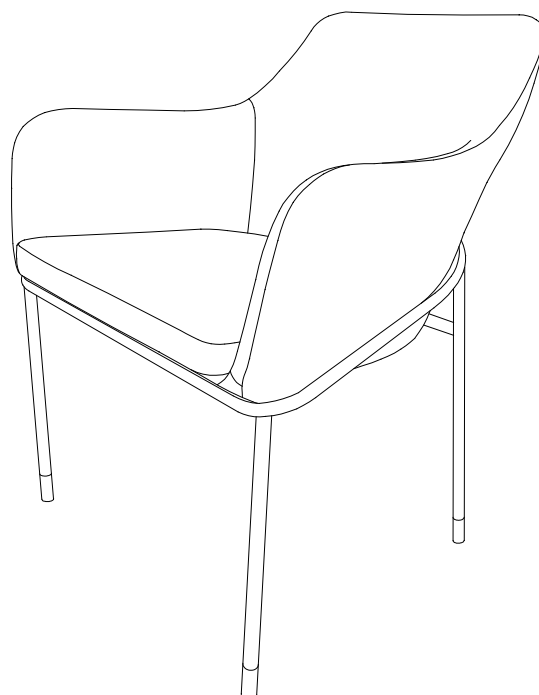
STEP 1:

1. Remove the hardware bag from the **Chair Base (2)** package.
2. Please put **Chair Body (1)** upside down on a carpeted or padded surface.
3. Put **Chair Base (2)** on the **Chair Body (1)** as shown.
4. Insert 4 pieces of **Bolts (A)** with 4 pieces of **Spring Washers (B)** and 4 pieces of **Flat Washers (C)** from the pre-drilled holes on **Chair Base (2)** into the **Chair Body (1)** as shown.
(Note: the wider side is the front of the chair body, the narrower side is the back of the chair body.)
5. Use **Allen Wrench (D)** to tighten all **Bolts (A)** clockwise until secure.



STEP 2:

Carefully turn over the assembled chair.



Assembly is complete. Your chair is ready to enjoy now!