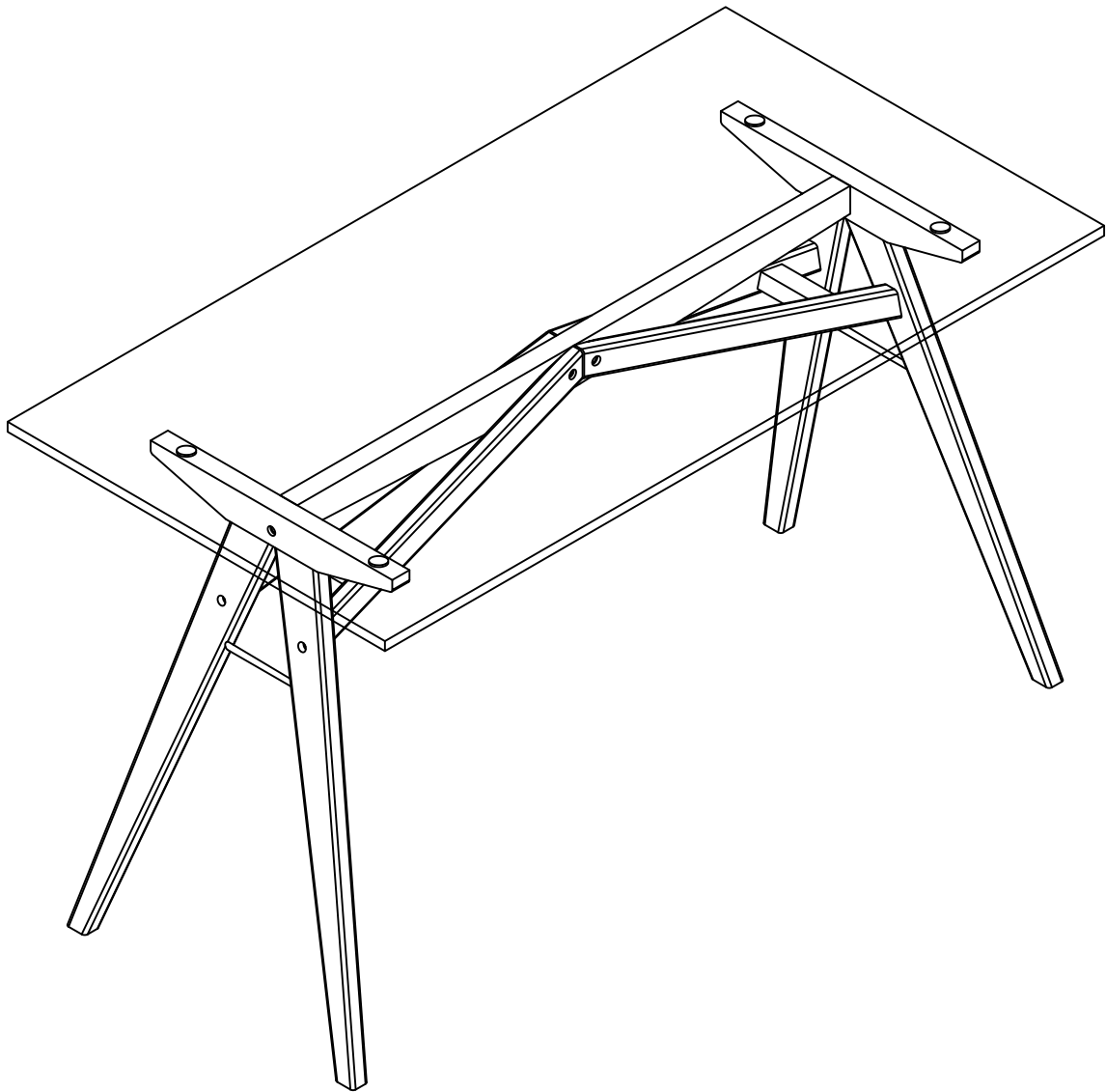


ASSEMBLY INSTRUCTIONS

EEI-4580

V1.04.20.21



Questions? Contact us!

609.256.9000 • cs@modway.com
www.modway.com

*modway

Let's get started!

*modway



Read through all of the instructions before starting



Care instructions are listed in the last step of this manual



Approx. 60 minutes assembly time



Make sure you have all parts and components before discarding any packing materials



2 people recommended for assembly

Only use hand tools to assemble this item. Do not use power tools. Do not tighten bolts or screws completely until all hardware is lined up and inserted into the holes.

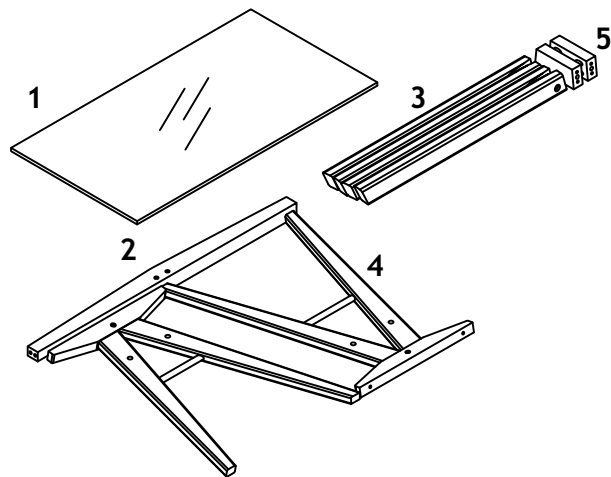
Do not over-tighten screws and bolts to avoid stripping the hardware or cracking the item.

Assemble your item on a flat, carpeted area, with plenty of space to work. This will prevent damage and scratches to your floors or the item while you're assembling the product.

Keep all components and packaging out of reach of children or animals to avoid risk of choking or suffocation.

Furniture components:

1	Glass Top	x1
2	Center Support	x1
3	Leg Support (R & L)	x4
4	Table Leg	x2
5	Support Block	x2



Provided hardware:

A		Screw M6x60mm	x2	G		Wood Dowel M8 x 30mm	x2
B		Screw M6x40mm	x4	H		Wood Dowel M8 x 25mm	x4
C		Screw M6x30mm	x4	I		Allen Key M4	x1
D		Spring Washer 6mm	x10	J		Barrel Nut	x2
E		Screw 5x32mm	x8	K		Felt Protector	x4
F		Plastic Suction Cup	x4				

Wait!

Missing parts or hardware? Need assistance?
Contact us before returning your item. We're here to help!
609.256.9000 • cs@modway.com

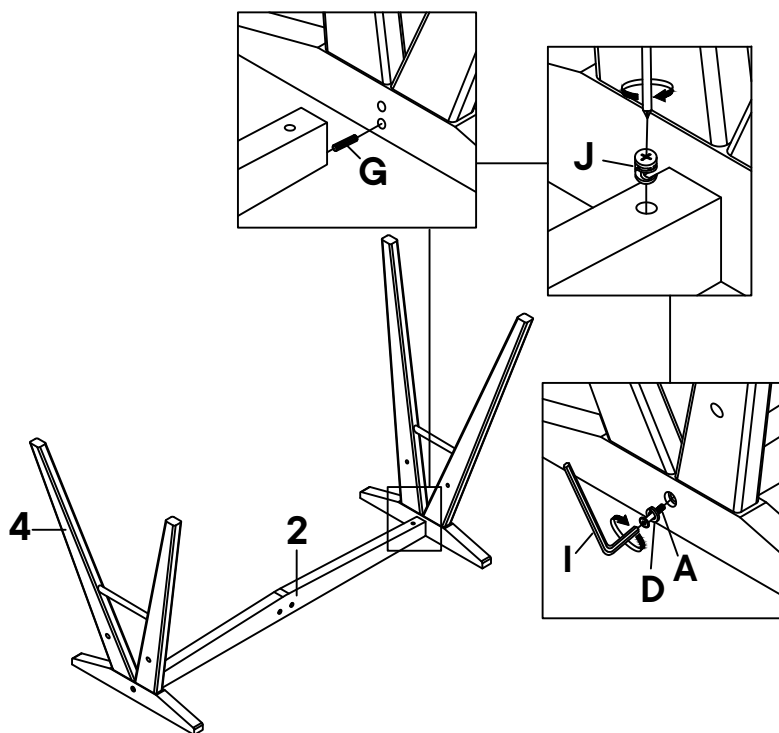
Step 1

HARDWARE

A	Screw M6 x 60mm	x2
D	Spring Washer 6mm	x2
G	Wood Dowel M8 x 30mm	x2
J	Barrel Nut	x2
I	Allen Key M4	x1

COMPONENTS

2	Center Support	x1
4	Table Leg	x2



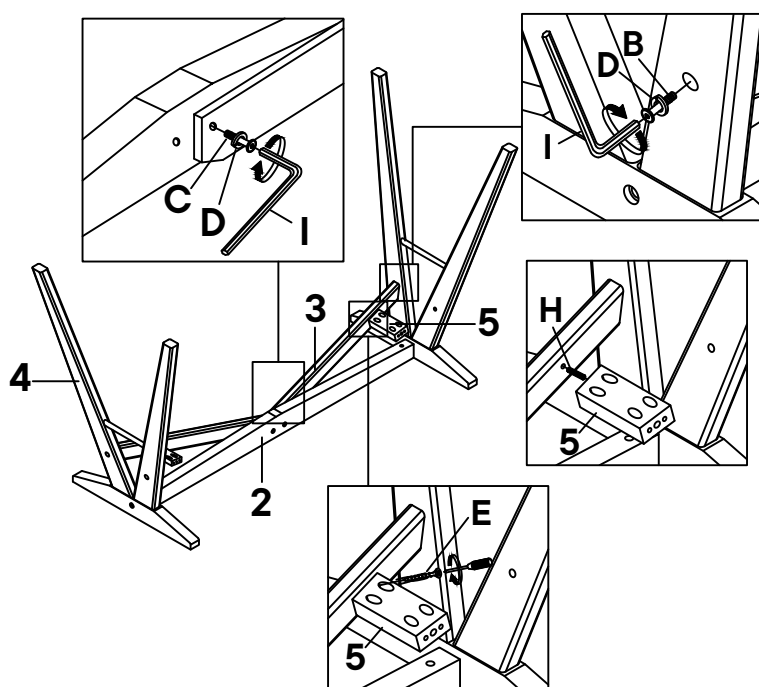
Step 2

HARDWARE

B	Screw M6 x 40mm	x2
C	Screw M6 x 30mm	x2
D	Spring Washer 6mm	x4
E	Pan Head Screw M5 x 32mm	x4
H	Wood Dowel M8 x 25mm	x2
I	Allen Key M4	x1

COMPONENTS

2	Center Support	x1
3	Leg Support (R & L)	x2
4	Table Leg	x2
5	Support Block	x2



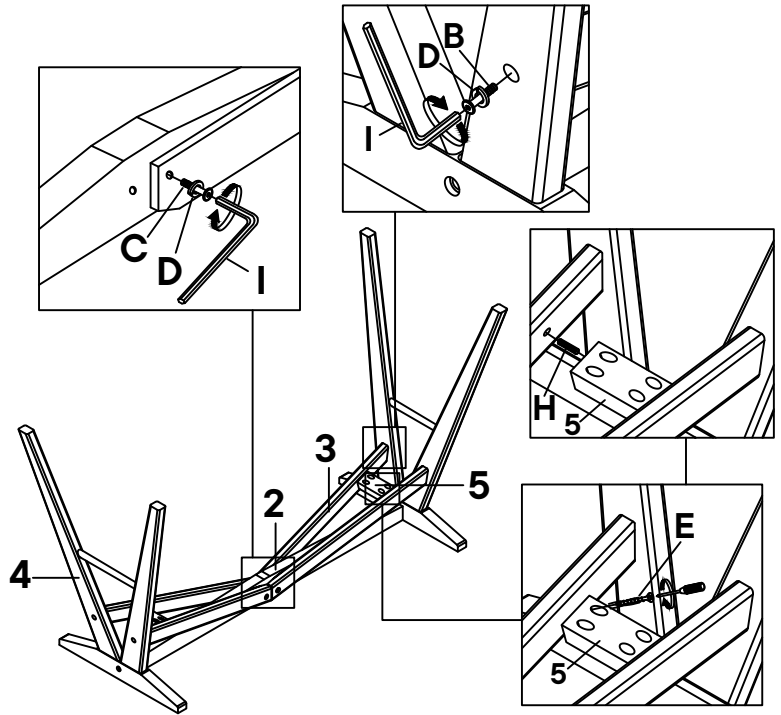
Step 3

HARDWARE

- B** Screw M6 x 40mm x2
- C** Screw M6 x 30mm x2
- D** Spring Washer 6mm x4
- E** Pan Head Screw M5 x 32mm x4
- H** Wood Dowel M8 x 25mm x2
- I** Allen Key M4 x1

COMPONENTS

- 2** Center Support x1
- 3** Leg Support (R & L) x2
- 4** Table Leg x2
- 5** Support Block x2



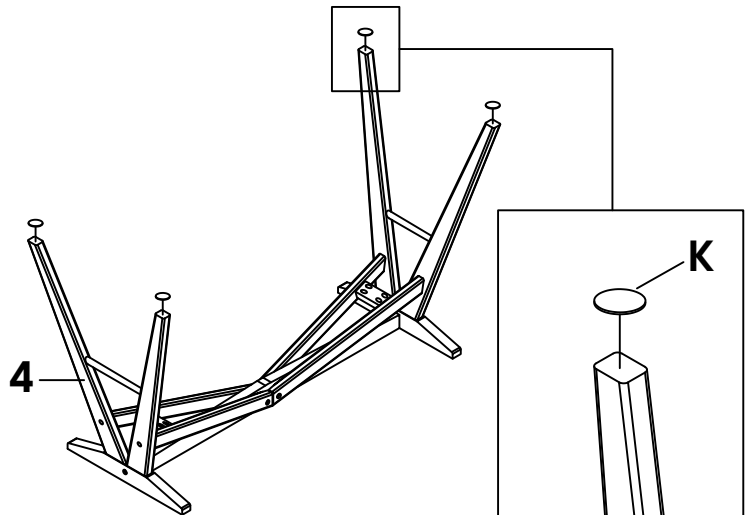
Step 4

HARDWARE

- K** Felt Protector x4

COMPONENTS

- 4** Table Leg x2



Step 5

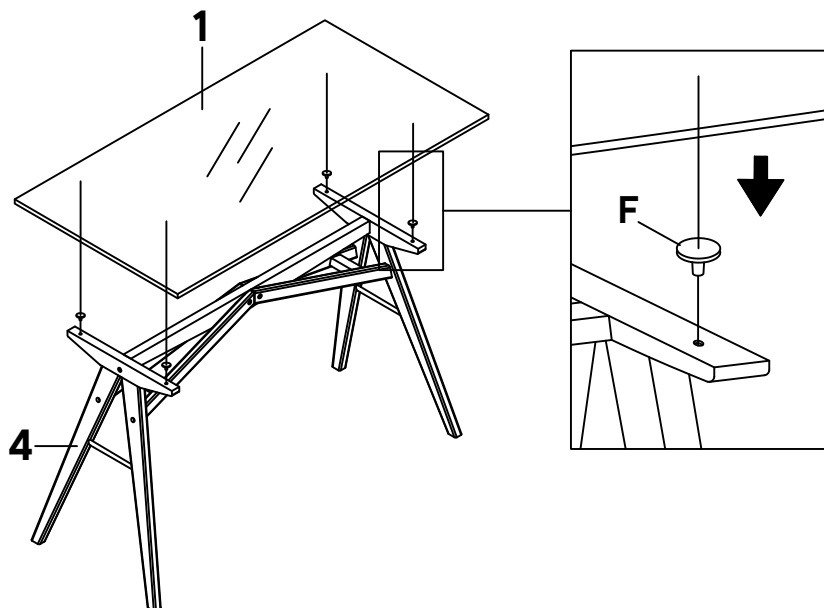
HARDWARE

F Plastic Suction Cup x4

COMPONENTS

1 Glass Top x1

4 Table Leg x2



Great job!

Desk assembly is complete

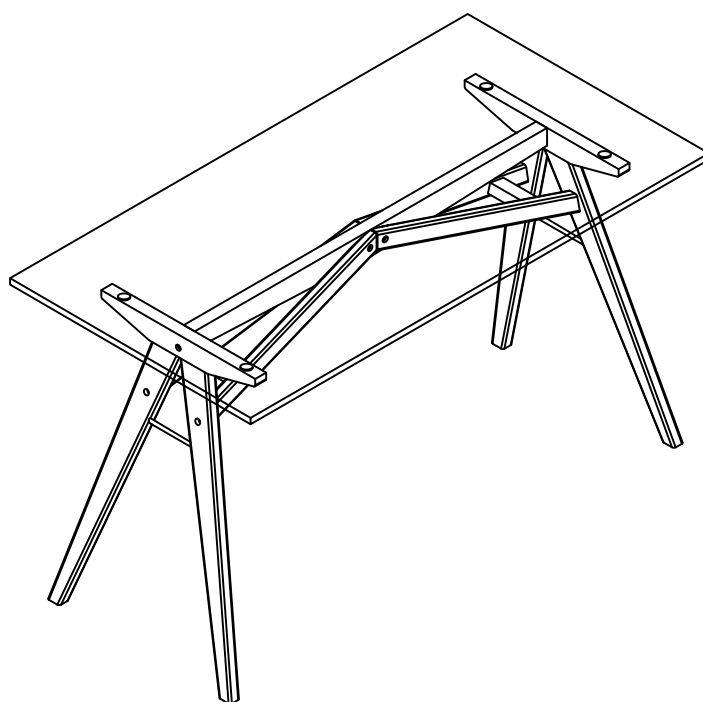
♥ CARING FOR YOUR ITEM

Indoor use only.

Not contract grade.

Clean using a non-abrasive cloth and a mild cleaner.

Never use harsh chemicals, as they could damage the finish or integrity of the item.



CONNECT WITH US!   

Tag us @modway_furniture and #modway for a chance to be featured.