

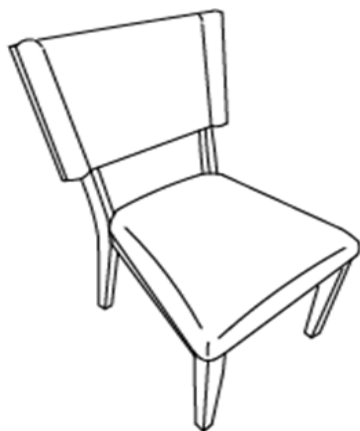
## EEI- Chair



Thank you for purchasing the **MODWAY CHAIR** !

Before you start, here are some helpful advices:

1. We suggest you spend a short time reading through this leaflet and then follow the simple step by step instructions.
2. Owing to the size and weight of the chair, we recommend that it is assembled by adults on a carpeted or padded area in the room that it is intended for. Approximate assembly time: 15 minutes.
3. Please do not use any tools other than those provided or recommend in these instructions.
4. Please do not throw away any of the packaging or instruction until you have checked all the components and hardware and the furniture is fully assembled. Please ensure that the packaging is disposed of in a safe and environmentally friendly way.
5. Assemble all components loosely until advised to tighten. Depending on use it may be necessary to tighten the components from time to time, so please save the tools that have been provided.
6. Please keep all pieces out of reach of children.

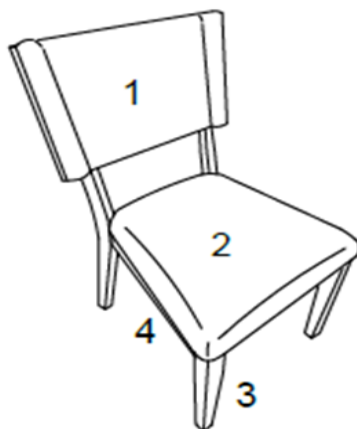


### Hardware:

A		JCBC BOLT M6 X 80	4 PCS
B		JCBC BOLT M6 X 60	4 PCS
C		JCBC BOLT M6 X 35	2 PCS
D		CSK M4 X 32MM	6 PCS
E		ALLEN KEY	1 PC
F		SPRING WASHER	10 PCS
G		FLAT WASHER	10 PCS

### Components:

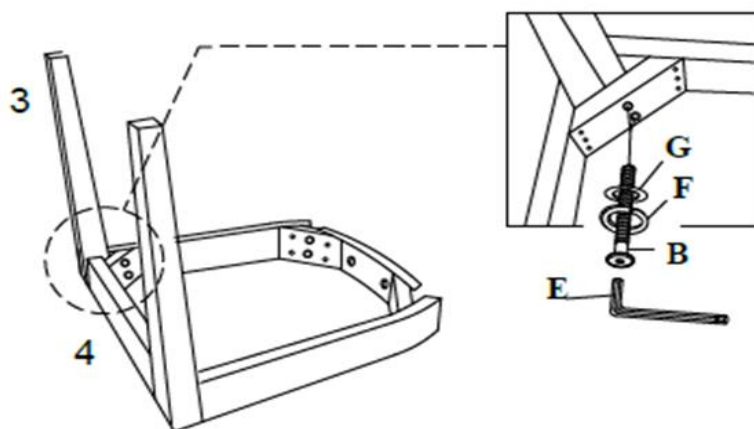
1.	BACKREST	X 1
2.	CUSHION SEAT	X 1
3.	FRONT LEG	X 2
4.	BOX SEAT	X 1



# EEL- Chair

\*modway

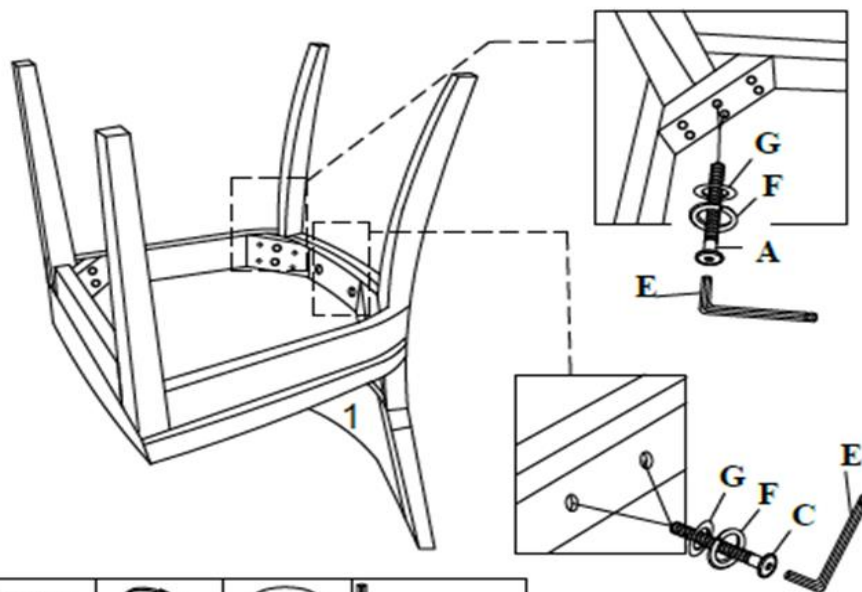
## STEP 1



BX4	FX4	GX4	EX1

Hardware & Tool required

## STEP 2



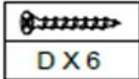
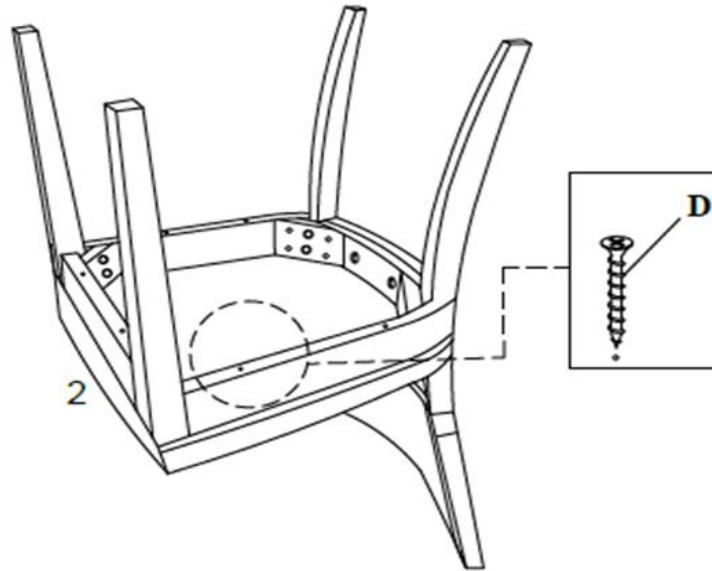
AX4	CX2	FX6	GX6	EX1

Hardware & Tool required

# EEI- Chair

\*modway

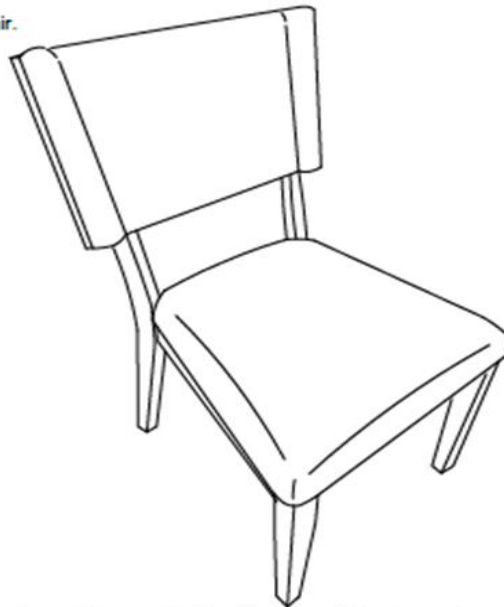
## STEP 3



Hardware & Tool required

## STEP 4

Carefully turn over the assembled chair.



Assembly is complete. Your Chair is ready to enjoy now!