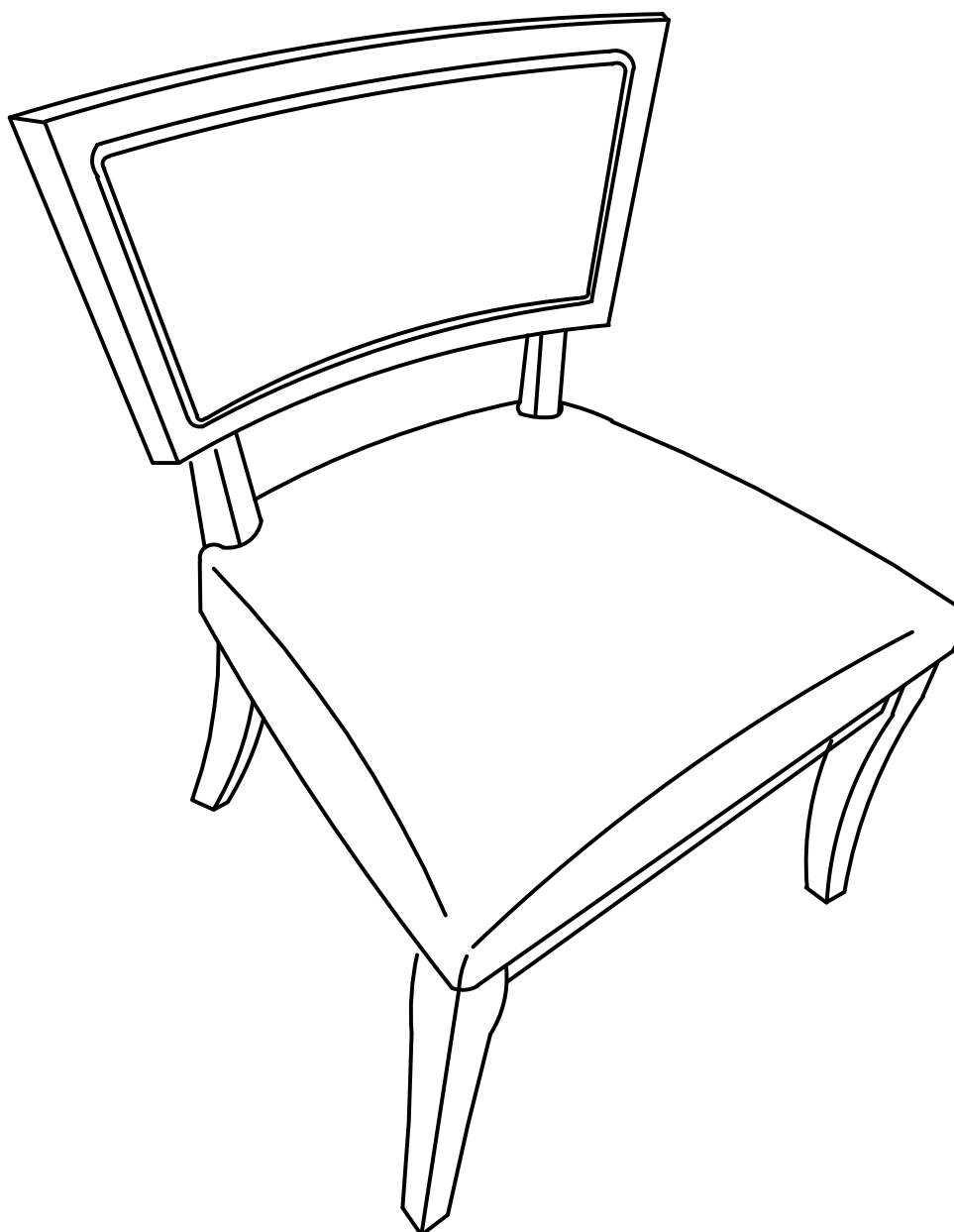


ASSEMBLY INSTRUCTIONS

EEI-4557/4558

V1.12.19.21



Questions? Contact us!

609.256.9000 • cs@modway.com
www.modway.com

***modway**

Let's get started!

*modway



Read through all of the instructions before starting



Care instructions are listed in the last step of this manual



Approx. 30 minutes assembly time



Make sure you have all parts and components before discarding any packing materials



2 people recommended for assembly

Only use hand tools to assemble this item. Do not use power tools. Do not tighten bolts or screws completely until all hardware is lined up and inserted into the holes.

Do not over-tighten screws and bolts to avoid stripping the hardware or cracking the item.


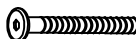

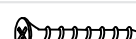


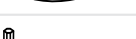

Assemble your item on a flat, carpeted area, with plenty of space to work. This will prevent damage and scratches to your floors or the item while you're assembling the product.

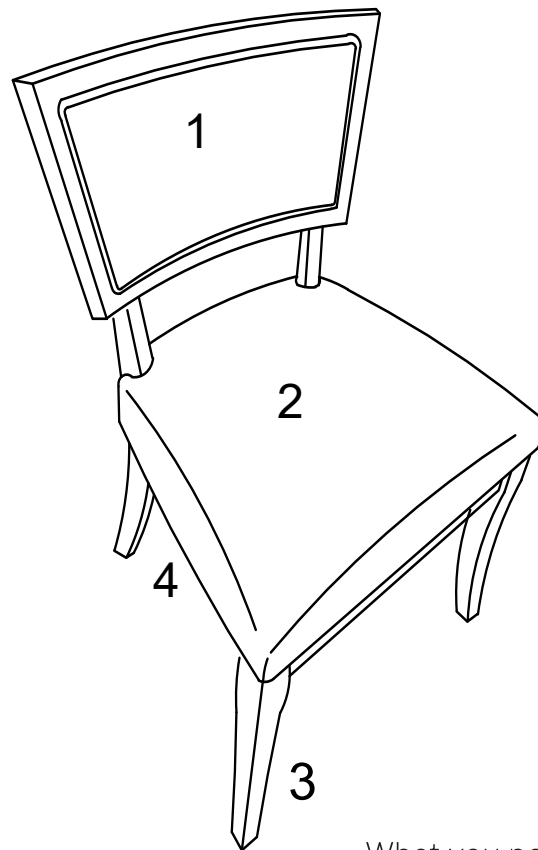
Keep all components and packaging out of reach of children or animals to avoid risk of choking or suffocation.

Furniture components:

1	Chair Back	x1
2	Chair Seat	x1
3	Front Legs	x2
4	Chair Frame	x1

Provided hardware:

A		Bolt M6x50mm	x4
B		Bolt M6x60mm	x4
C		Bolt M6x35mm	x2
D		Csk M4x32mm	x6
E		Spring Washer	x10
F		Flat Washer	x10
G		Allen Key	x1
H		Nail Bushes	x4



What you need:



Phillips Head Screwdriver

Wait!

Missing parts or hardware? Need assistance?

Contact us before returning your item. We're here to help!
609.256.9000 • cs@modway.com

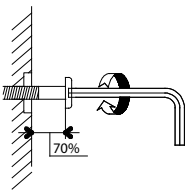
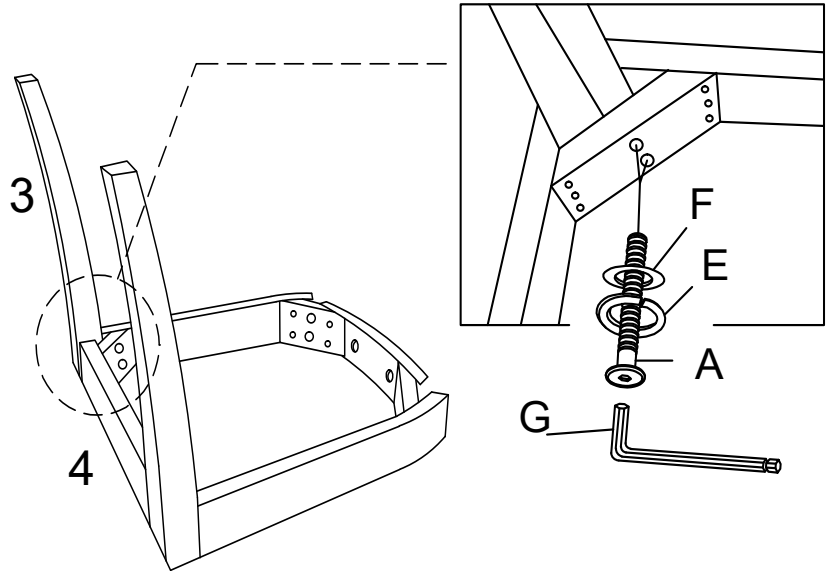
Step 1

HARDWARE

- A** Bolt M6x50mm x4
- E** Spring Washer x4
- F** Flat Washer x4
- G** Allen Key x1

COMPONENTS

- 4** Chair Frame x1
- 3** Front Legs x2



NOTE : Do not fully tighten the bolt

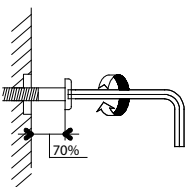
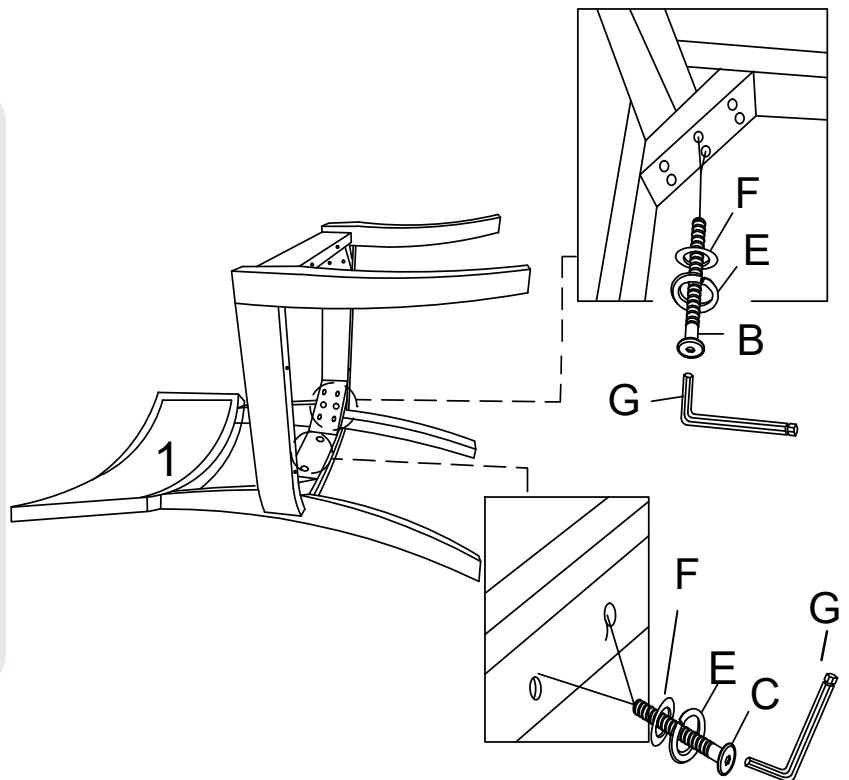
Step 2

HARDWARE

- B** Bolt M6x60mm x4
- C** Bolt M6x35mm x2
- E** Spring Washer x6
- F** M8 Flat Washer x6
- G** Allen Key x1

COMPONENTS

- 1** Chair Back x1
- 4** Chair Frame x1



NOTE : Do not fully tighten the bolt

Step 3

HARDWARE

D Csk M4x32mm x6

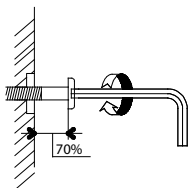
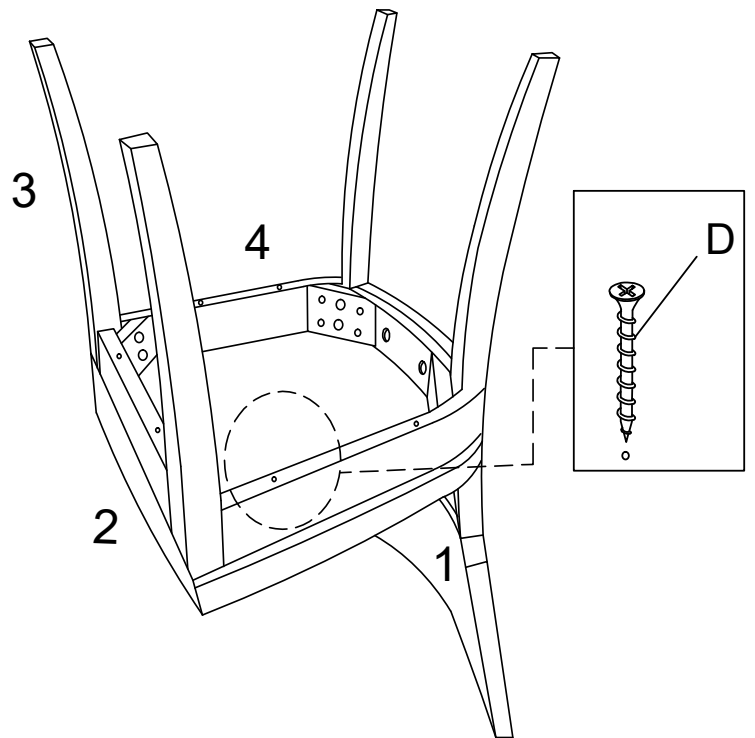
COMPONENTS

1 Chair Back x1

2 Chair Seat x1

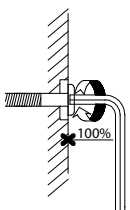
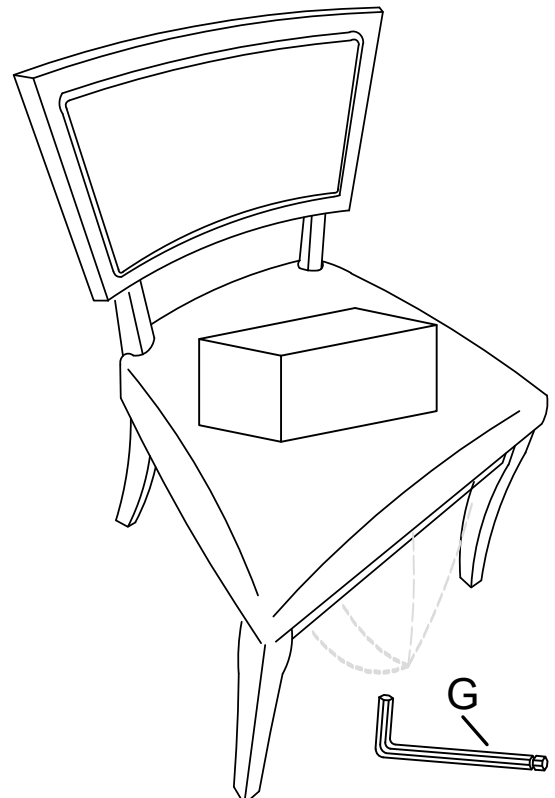
3 Front Legs x2

4 Chair Frame x1



NOTE : Do not fully tighten the bolt

Step 4



NOTE: To assist with leveling the chair, place a heavy object or have an adult sit on the Chair Seat (2) to pressure the chair for leveling and fully tighten all bolts with Allen Key (E) to secure all legs.

Step 5

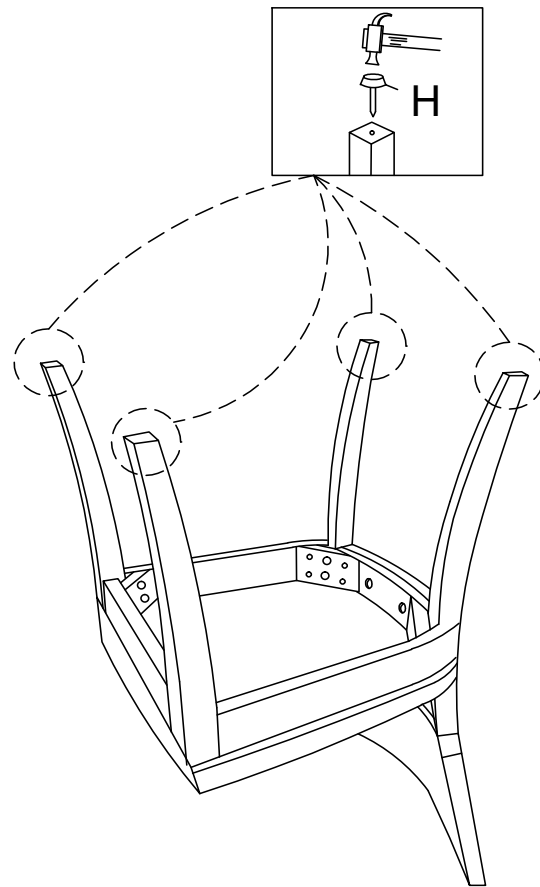
HARDWARE

H Nail Busher x4

COMPONENTS

1 Chair Back x1

3 Front Legs x2



Great job!

Your chair is complete and ready to enjoy.

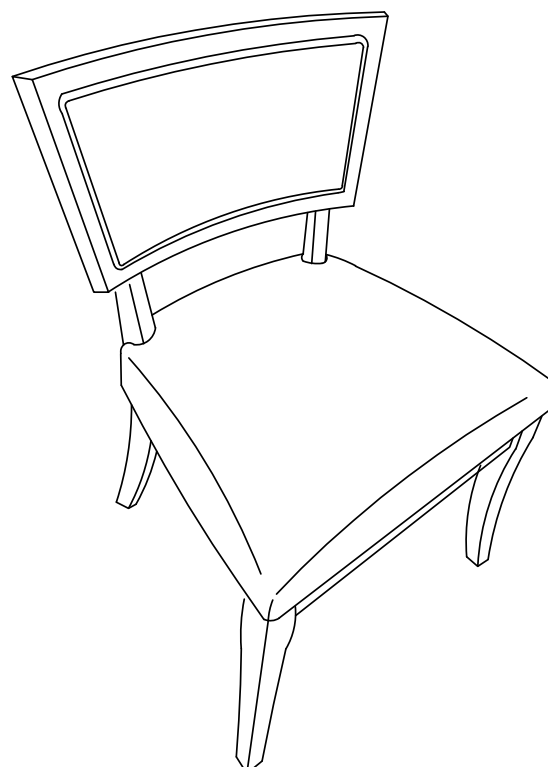
♥ CARING FOR YOUR ITEM

Indoor use only.

Not contract grade.

Spot clean using a non-abrasive cloth and a mild cleaner.

Never use harsh chemicals, as they could damage the finish or integrity of the item.



CONNECT WITH US!   

Tag us @modway_furniture and #modway for a chance to be featured.