

# EEI-4526、 EEI-4527 BAR STOOL / 4528、 EEI-4529 COUNTER STOOL \*modway


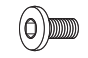




Thank you for purchasing the **MODWAY** counter/bar stool.

Before you start, here are some helpful advice:

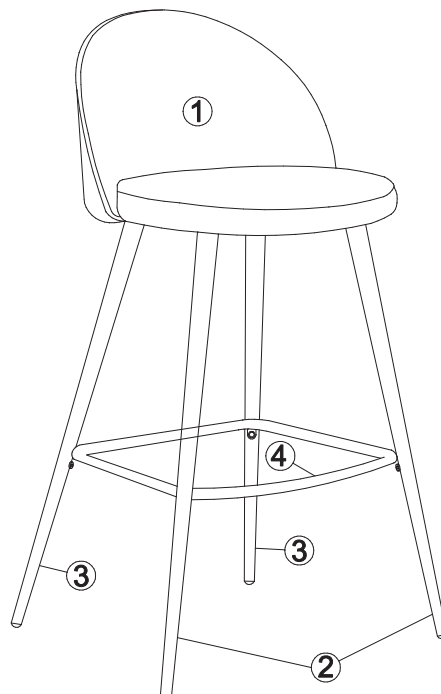
1. We suggest you spend a short time reading through this leaflet and then follow the simple step-by-step instructions.
2. Owing to the size and weight of the counter/bar stool, we recommend that it is assembled by two adults, on a carpeted or padded area, in the room that it is intended for. Approximate assembly time: 30 minutes.
3. Please do not use any tools other than those provided or recommended in these instructions.
4. Please do not throw away any of the packaging or the instruction until you have checked all the components and hardware and the furniture is fully assembled. Please ensure that the packaging is disposed of in a safe and environmentally friendly way.
5. Assemble all components loosely until advised to tighten. Depending on use, it may be necessary to tighten the components from time to time, so please save the tools that have been provided.
6. Please keep all pieces out of reach of children.



## Hardware:

A.		Bolt M8x30mm	x8
B.		Bolt M6x16mm	x4
C.		Spring Washer	x8
D.		Flat Washer	x8
E.		Allen Wrench M8	x1
F.		Allen Wrench M6	x1

## Components:

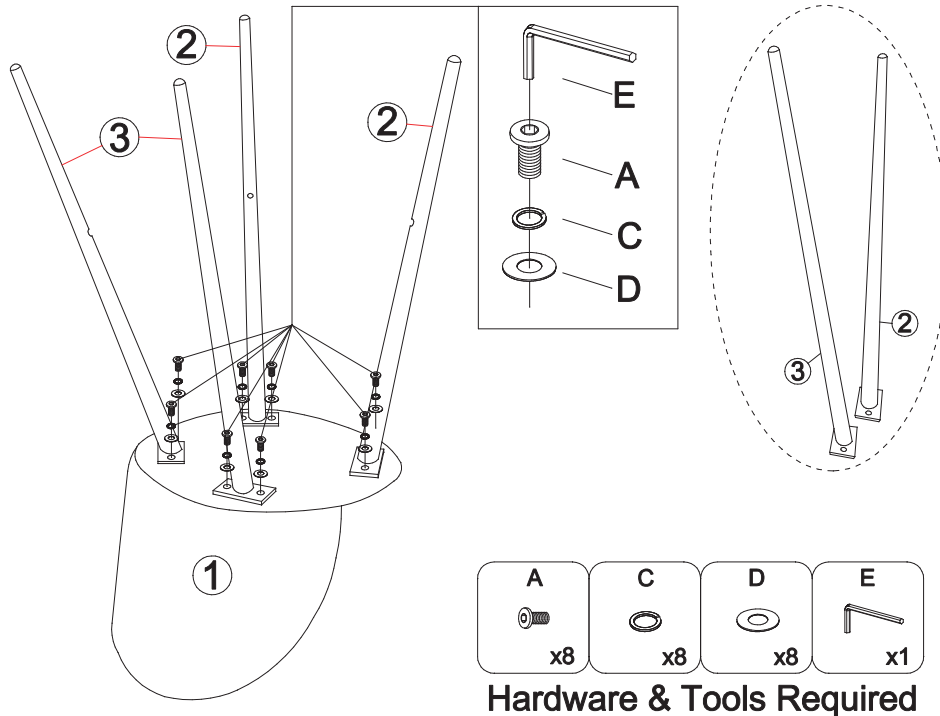


1. Body	x1	2. Front Leg	x1	3. Back Leg	x2	4. Stretcher	x1
---------	----	--------------	----	-------------	----	--------------	----

## STEP 1:

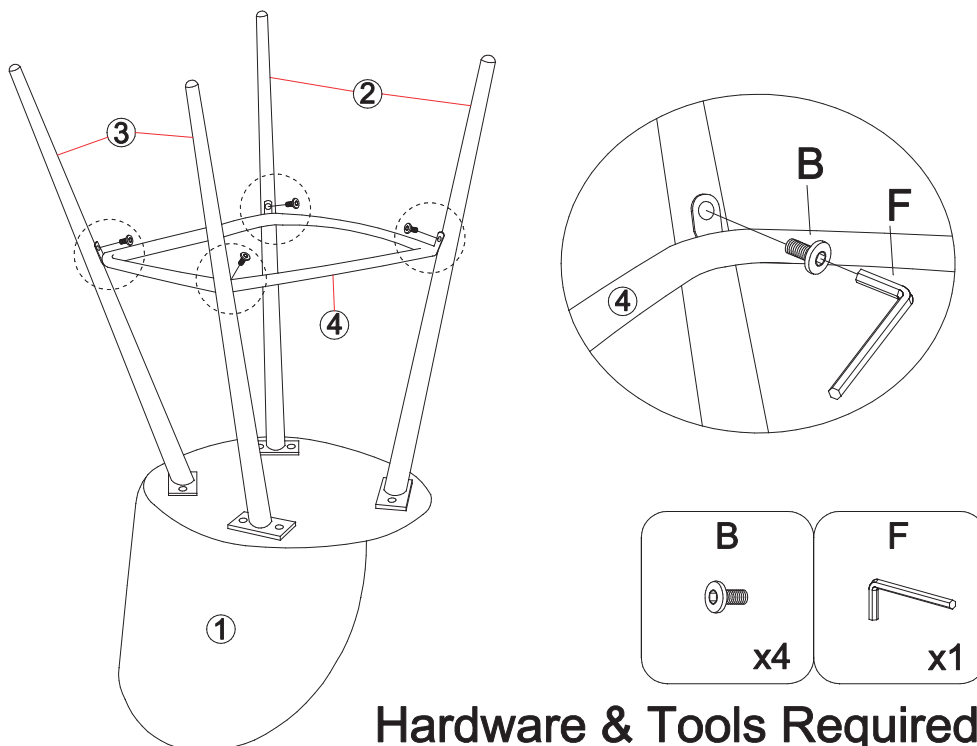
1. Please put **Body (1)** upside down on a carpeted or padded surface.

- Attach 2 pieces of **Front Legs (2)** to the front of **Body (1)** by using 4 pieces of **Bolts (A)** with 4 pieces of **Spring Washers (C)** and 4 pieces of **Flat Washers (D)** as shown.
- Attach 2 pieces of **Back Legs (3)** to the back of **Body (1)** by using 4 pieces of **Bolts (A)** with 4 pieces of **Spring Washers (C)** and 4 pieces of **Flat Washers (D)** as shown.
- Use **Allen Wrench (E)** to tighten all **Bolts (A)** as shown, Don't tight **Bolts (A)** fully.



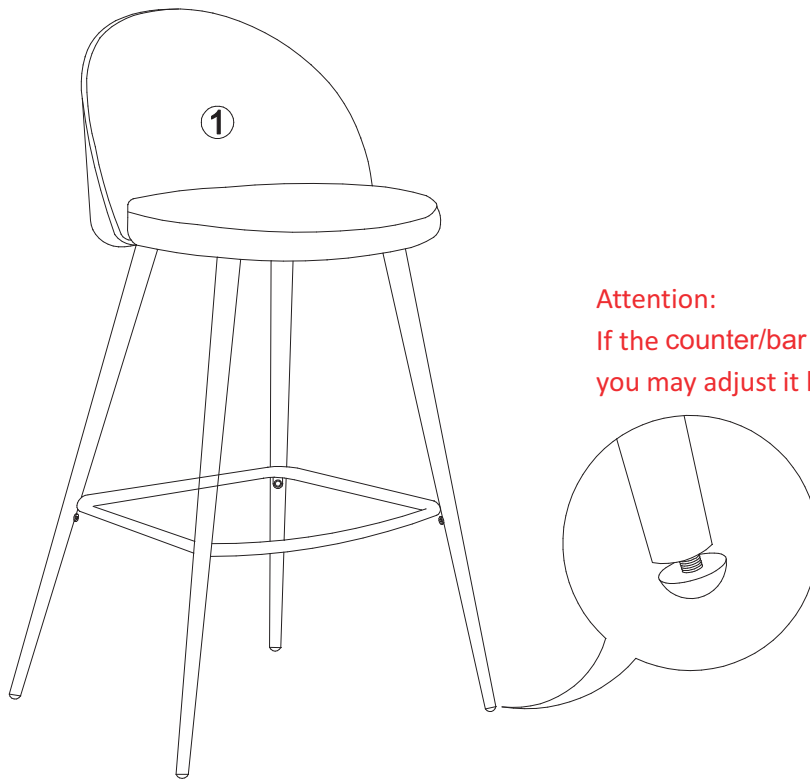
**STEP 2:**

- Attach **Stretcher (4)** to **Front Legs (2)** and **Back Legs (3)** by using 4 pieces of **Bolts (B)** as shown.
- Use **Allen Wrench (F)** to tighten **Bolts (B)** as shown. Don't tight all **Bolts (B)** fully.
- When **Stretchers (4)** are fixed, please fully tighten all **Bolts (A)** and all **Bolts (B)**.



**STEP 3:**

Carefully turn over the assembled counter/bar stool.



Attention:  
If the counter/bar stool is not stable,  
you may adjust it by alignment pin.

Assembly is complete. Your counter/bar stool is ready to enjoy now!