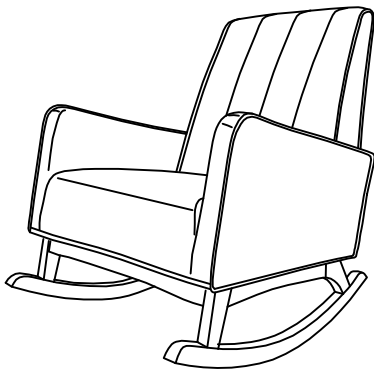


# EEI - 4456



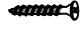
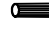

Thank you for purchasing the MODWAY ROCKING CHAIR!

Before you start, here is some helpful advice:

1. We suggest you spend a short time reading through this leaflet and then follow the simple step by step instructions.
2. Owing to the size and weight of the chair, we recommend that it is assembled by two adults, on a carpeted or padded area, in the room that it is intended for. Approximate assembly time: 30 minutes.
3. Please do not use any tools other than those provided or recommended in these instructions.
4. Please do not throw away any of the packaging or instructions until you have checked all the components and hardware and the furniture is fully assembled.
5. Assemble all components loosely until advised to tighten. Depending on use, it may be necessary to tighten the components from time to time, so please save the tools that have been provided.
6. Please keep all pieces out of reach of small children.

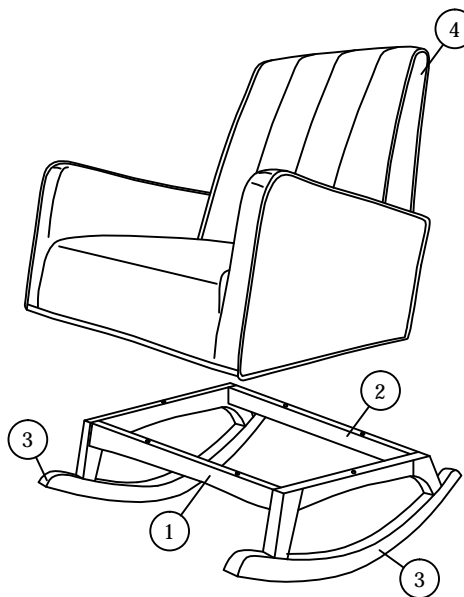


### Hardware:

A		JCBB BOLT M8 x 50mm	6 PCS
B		SPRING WASHER M8	6 PCS
C		WOOD SCREW M4 x 38mm	4 PCS
D		WOOD DOWEL M8 x 30mm	8 PCS
E		ALLEN KEY (BALL SHAPE) M5	1 PC

### Component:

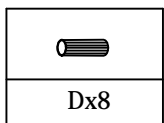
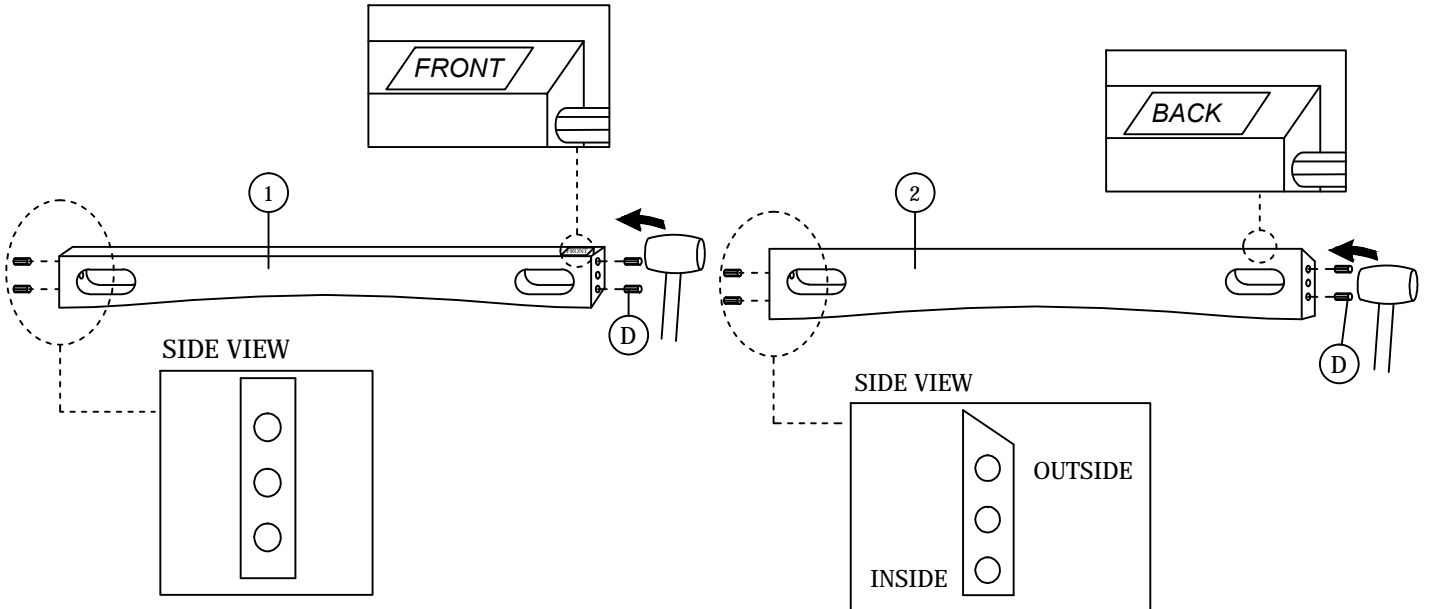
- |                    |     |
|--------------------|-----|
| 1. Front Rail      | x 1 |
| 2. Back Rail       | x 1 |
| 3. Chair Leg (L/R) | x 2 |
| 4. Chair           | x 1 |



**EEI - 4456**

**STEP 1:**

1.2 Fit WOOD DOWEL (D) into FRONT RAIL (1) & BACK RAIL (2).



**TOOLS REQUIRED FOR ASSEMBLY**

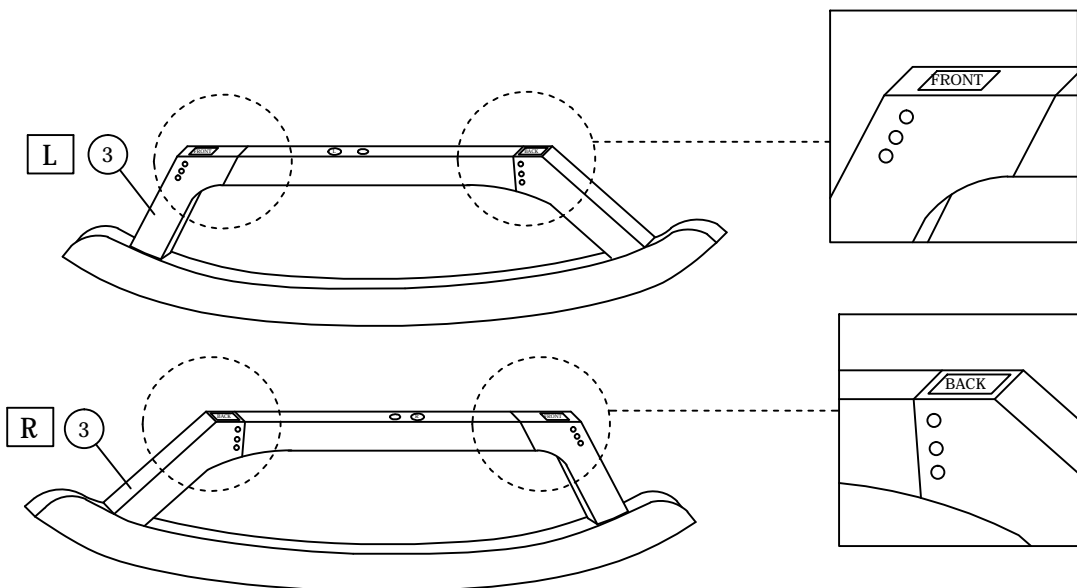


OR



Hardware & Tool required

**STEP 2:**

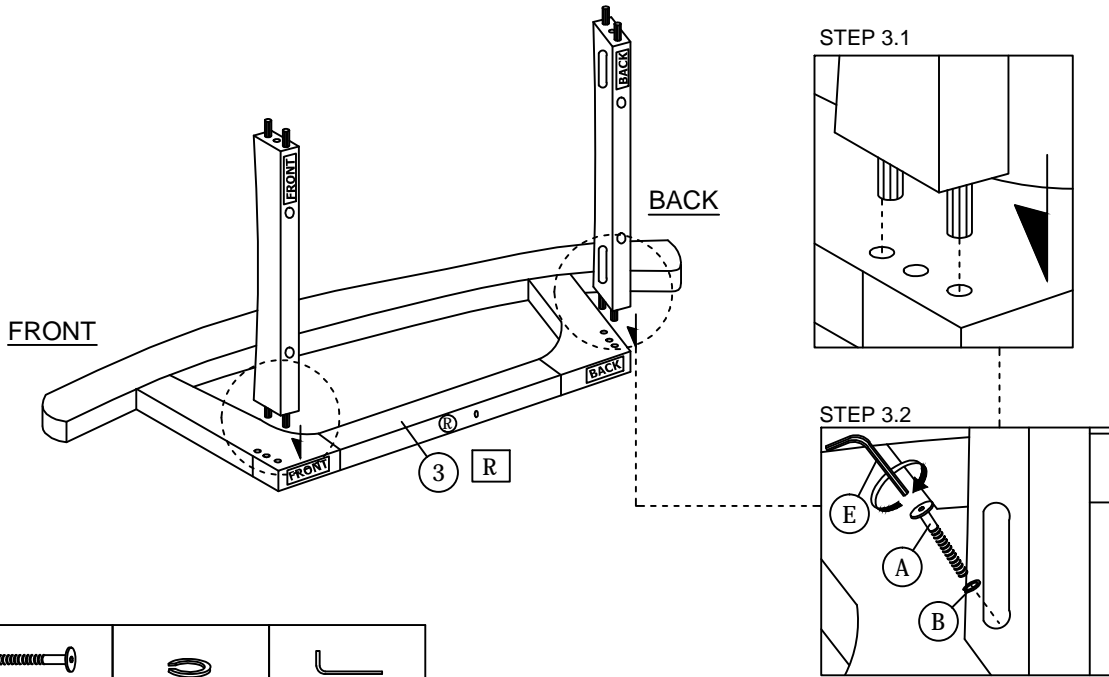


Hardware & Tool required

# EEI - 4456

## STEP 3:

Attach Front rail (1) and Back Rail (2) to Chair Leg R (3) by 2 pieces of Bolt (A), 2 pieces of Spring Washer (B) and 1 pieces of Allen Key (E) as shown.

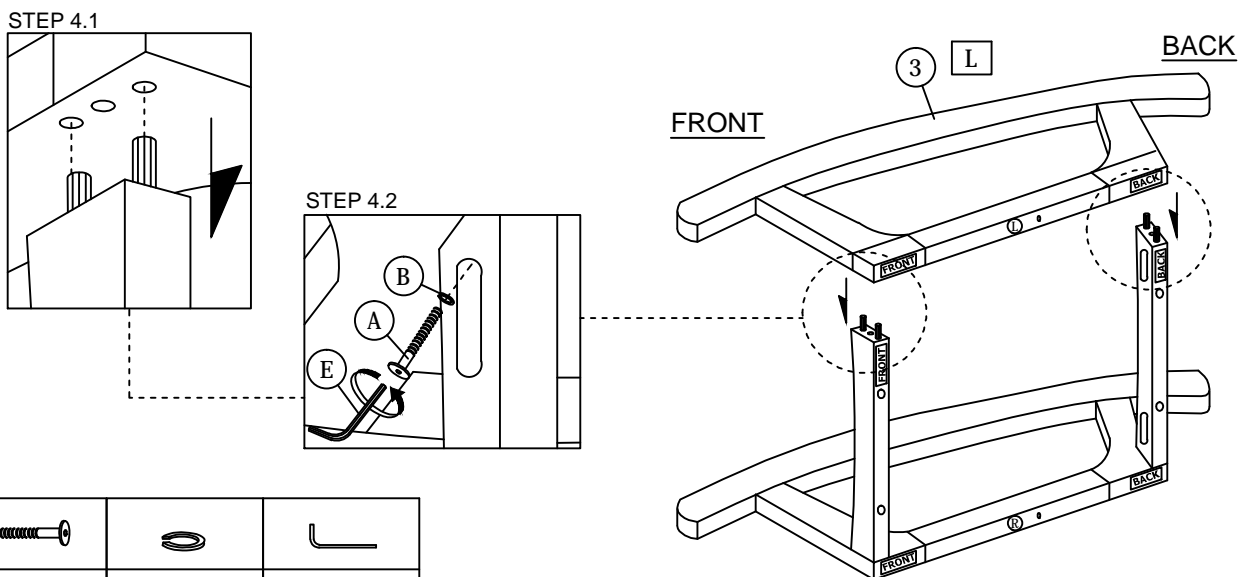


Ax2	Bx2	Ex1

Hardware & Tool required

## STEP 4:

Attach Chair Leg L (3) to Front rail (1) and Back Rail (2) by 2 pieces of Bolt (A), 2 pieces of Spring Washer (B) and 1 pieces of Allen Key (E) as shown.



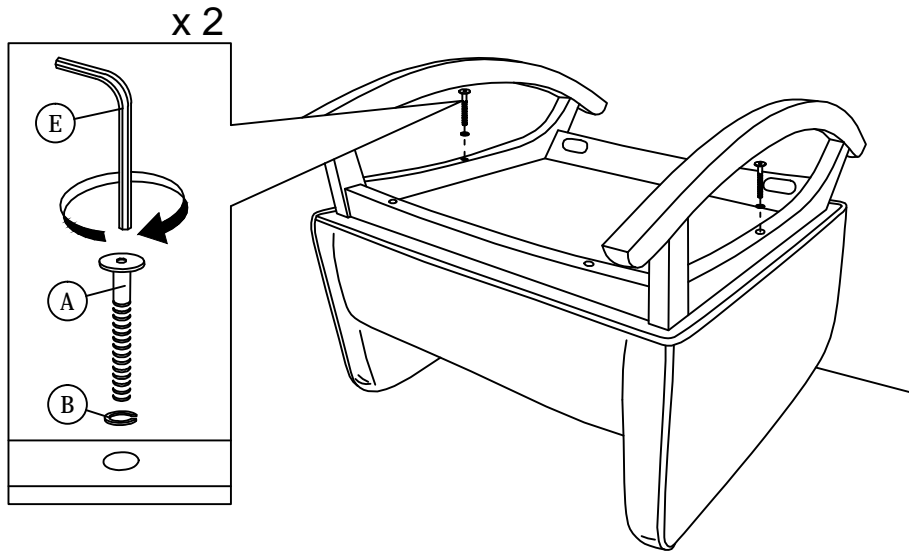
Ax2	Bx2	Ex1




Hardware & Tool required

EEI - 4456

STEP 5:

Attach Chair Leg Frame to Chair (4) by 2 pieces of Bolt (A), 2 pieces of Spring Washer (B) and 1 pieces of Allen Key (E) as shown.

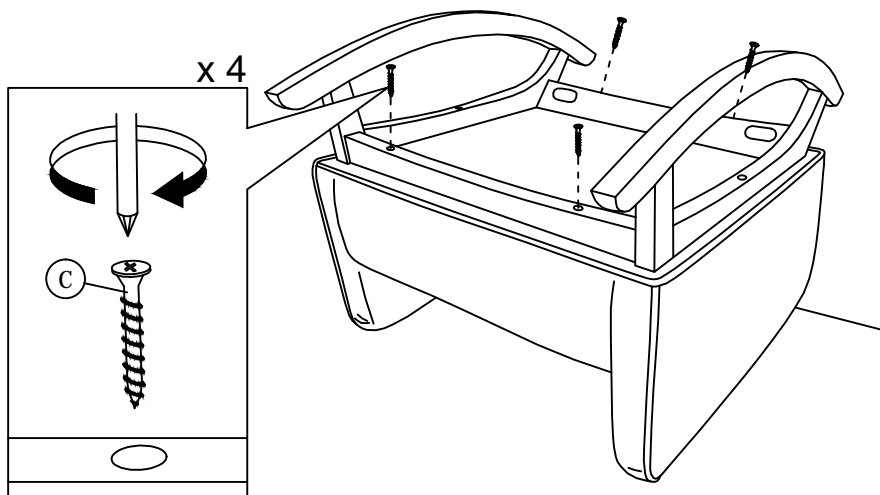



		
Ax2	Bx2	Ex1

Hardware & Tool required

STEP 6:

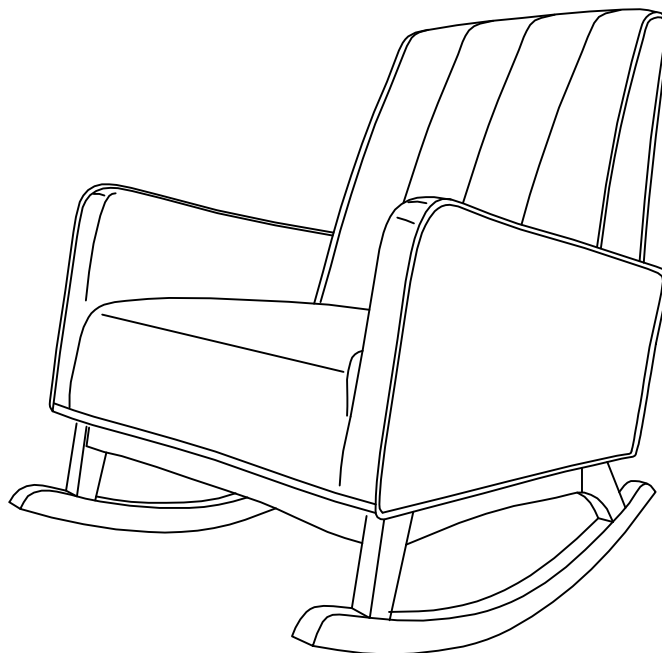
Screw it Chair Leg Frame by 4 pieces of Screw (C) as shown.




Cx4

Hardware & Tool required

STEP 7:



Carefully turn over the chair.

Assembly is completed. The chair is ready to use now!