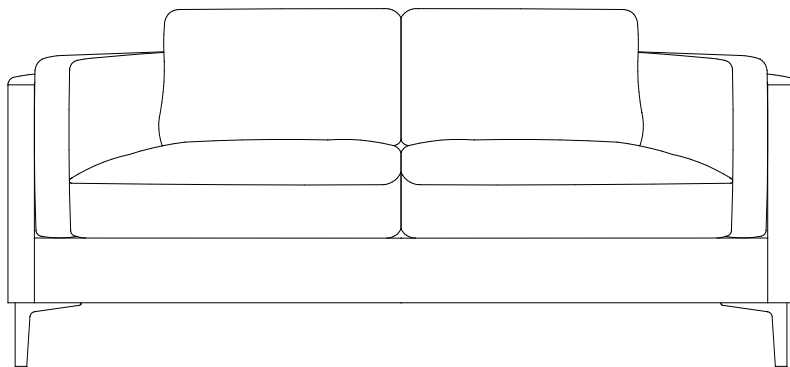


Thank you for purchasing the **MODWAY SOFA**

Before you start, here are some helpful advice:

1. We suggest you spend a short time reading through this leaflet and then follow the simple step-by-step instructions.
2. Owing to the size and weight of the sofa, we recommend that it is assembled by two adults, on a carpeted or padded area, in the room that it is intended for. Approximate assembly time: 30 minutes.
3. Please do not use any tools other than those provided or recommended in these instructions.
4. Please do not throw away any of the packaging or the instruction until you have checked all the components and hardware and the furniture is fully assembled. Please ensure that the packaging is disposed of in a safe and environmentally friendly way.
5. Assemble all components loosely until advised to tighten. Depending on use, it may be necessary to tighten the components from time to time, so please save the tools that have been provided.
6. Please keep all pieces out of reach of children.



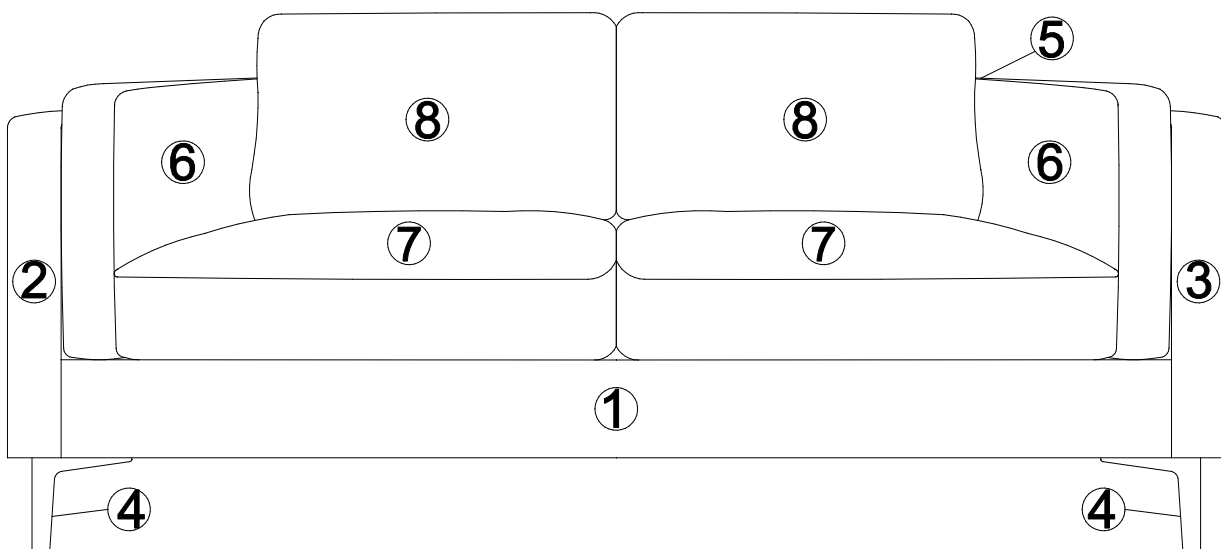
**Hardware:**

- A. Bolt M8x30mm x8
- B. Flat Washer M8 x8
- C. Allen Wrench x1
- D. Screw x4

- E. Screw driver x1

**\* Not include hardware bag**

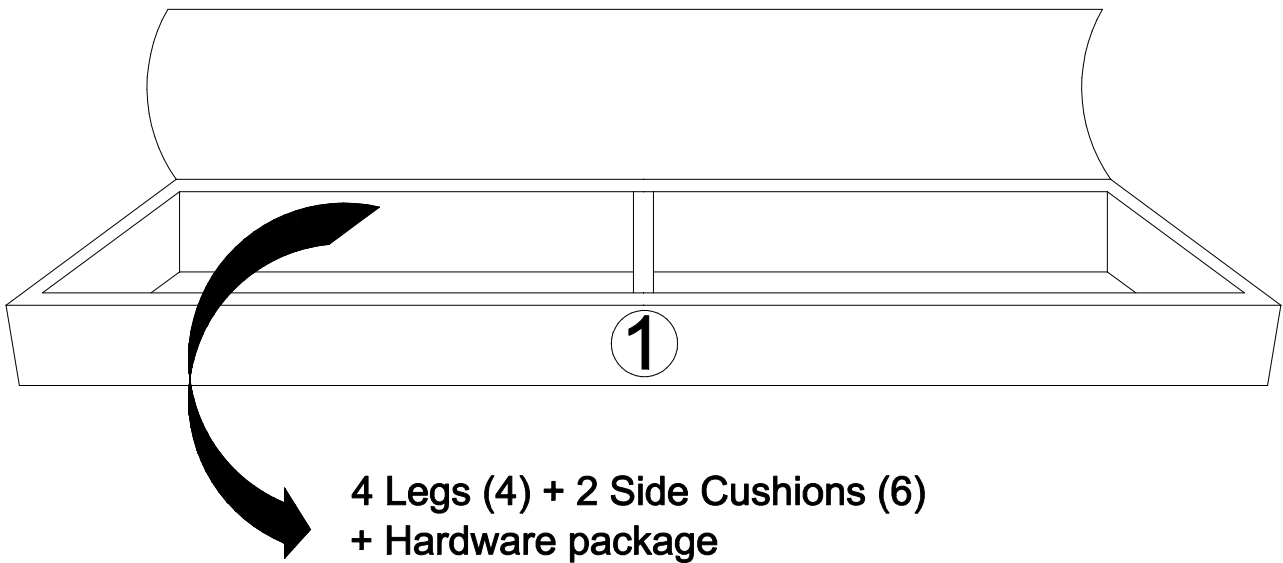
**Components:**



- |              |    |                 |    |                 |    |                 |    |
|--------------|----|-----------------|----|-----------------|----|-----------------|----|
| 1. Sofa Seat | x1 | 2. Left Arm     | x1 | 3. Right Arm    | x1 | 4. Leg          | x4 |
| 5. Sofa Back | x1 | 6. Side Cushion | x2 | 7. Seat Cushion | x2 | 8. Back Cushion | x2 |

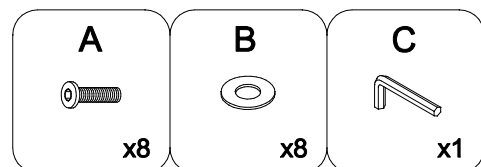
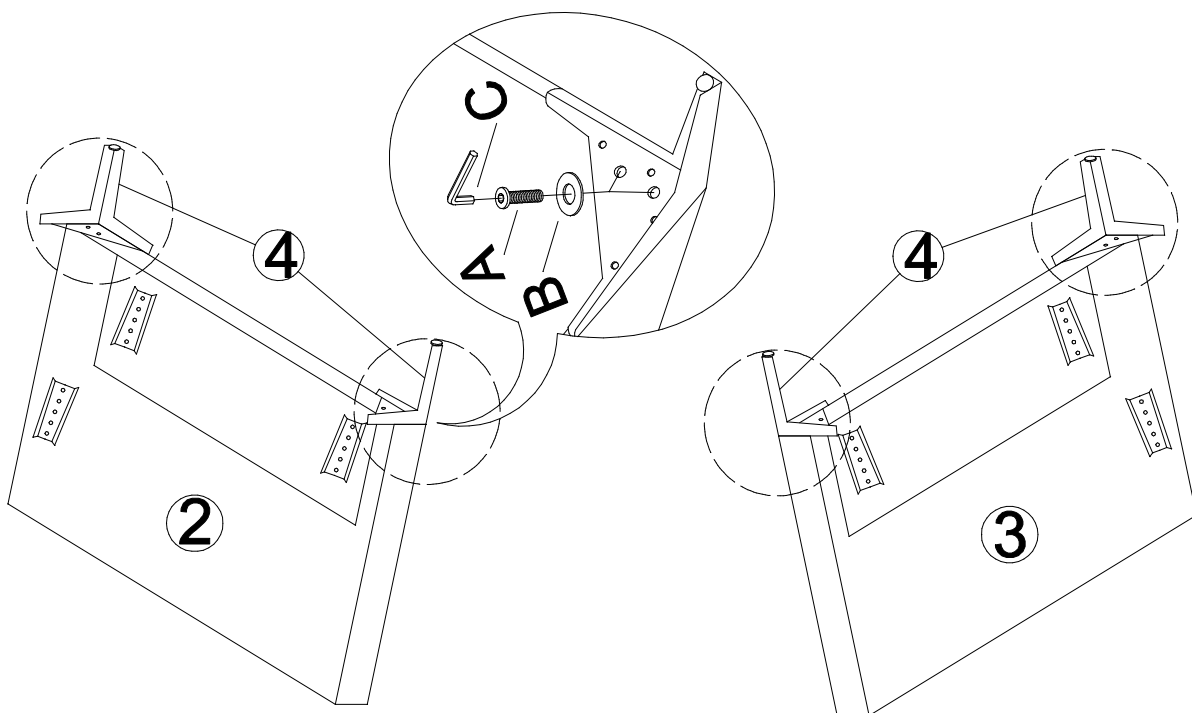
**STEP 1:**

1. Please put **Sofa Seat (1)** upside down on a carpeted or padded surface.
2. Open the Zipper strip at the bottom of the **Sofa Seat (1)** and take out 4 pieces of **Legs (4)** and 2 pieces of **Side Cushions (6)** and hardware bag.



**STEP 2:**

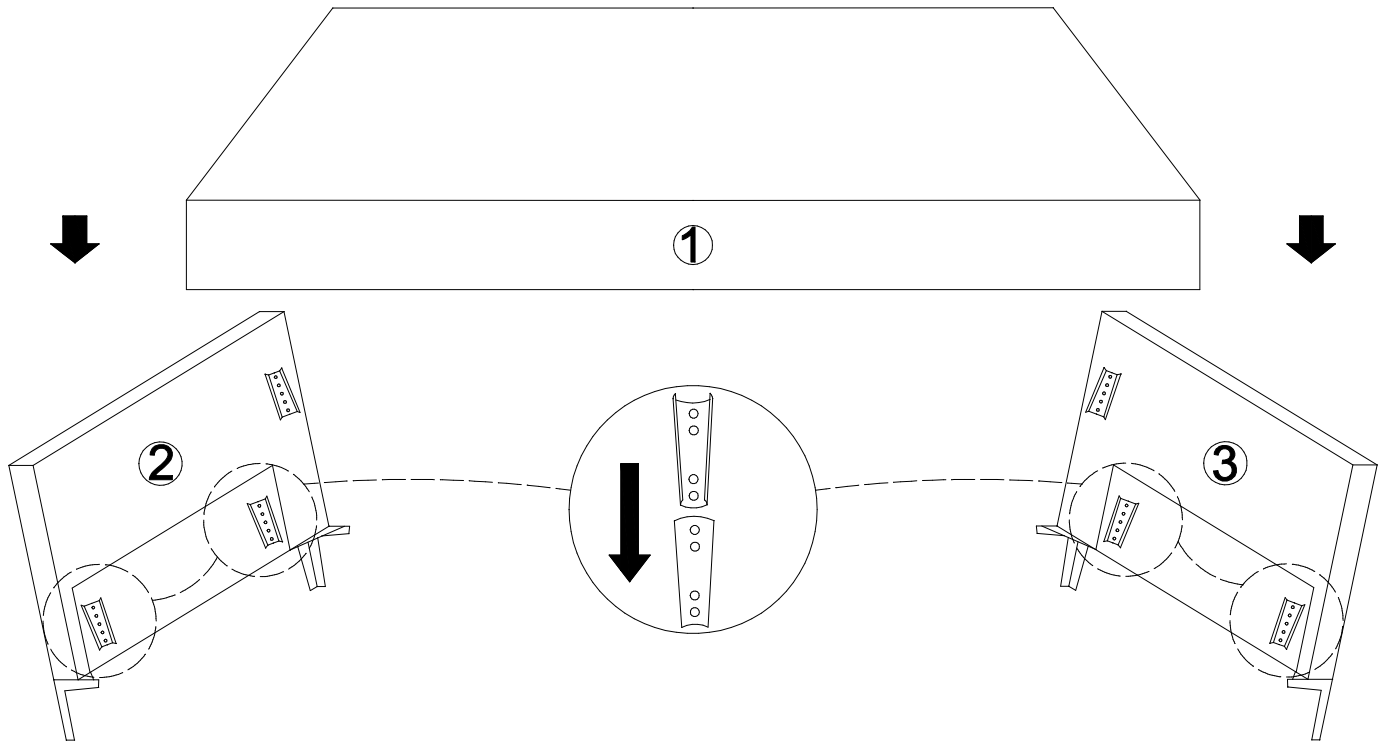
1. Attach 2 pieces of **Legs (4)** to the **Left Arm (2)** by using 4 pieces of **Bolts (A)** and 4 pieces of **Flat Washers (B)** as shown.
2. Use **Allen Wrench (C)** to tighten all **Bolts (A)** clockwise until secure.
3. Repeat the same Step to assemble 2 pieces of **Legs (4)** to the **Right Arm (3)**.



**Hardware & Tools Required**

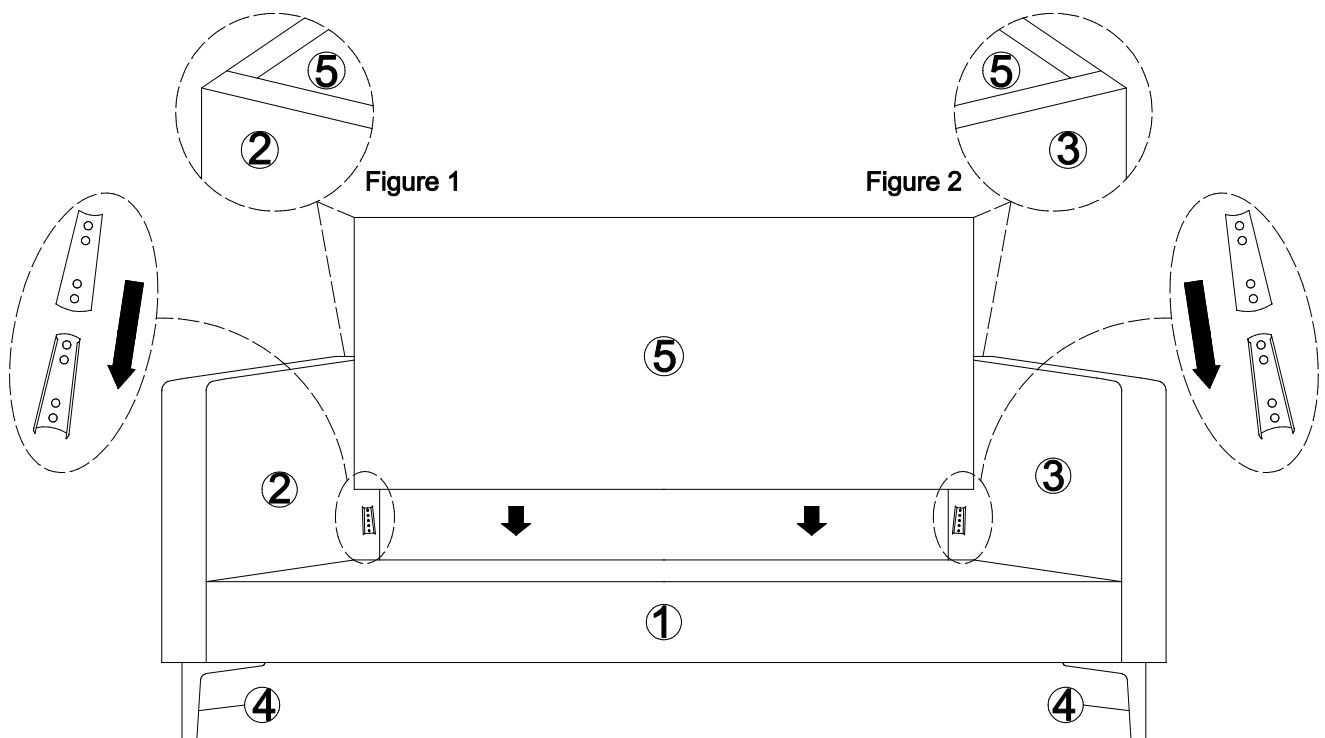
**STEP 3:**

Insert **Sofa Seat (1)** to **Left Arm (2)** and **Right Arm (3)** by using the pre-installed Clips on **Sofa Seat (1)**, **Left Arm (2)** and **Right Arm (3)** to lock each other as shown.



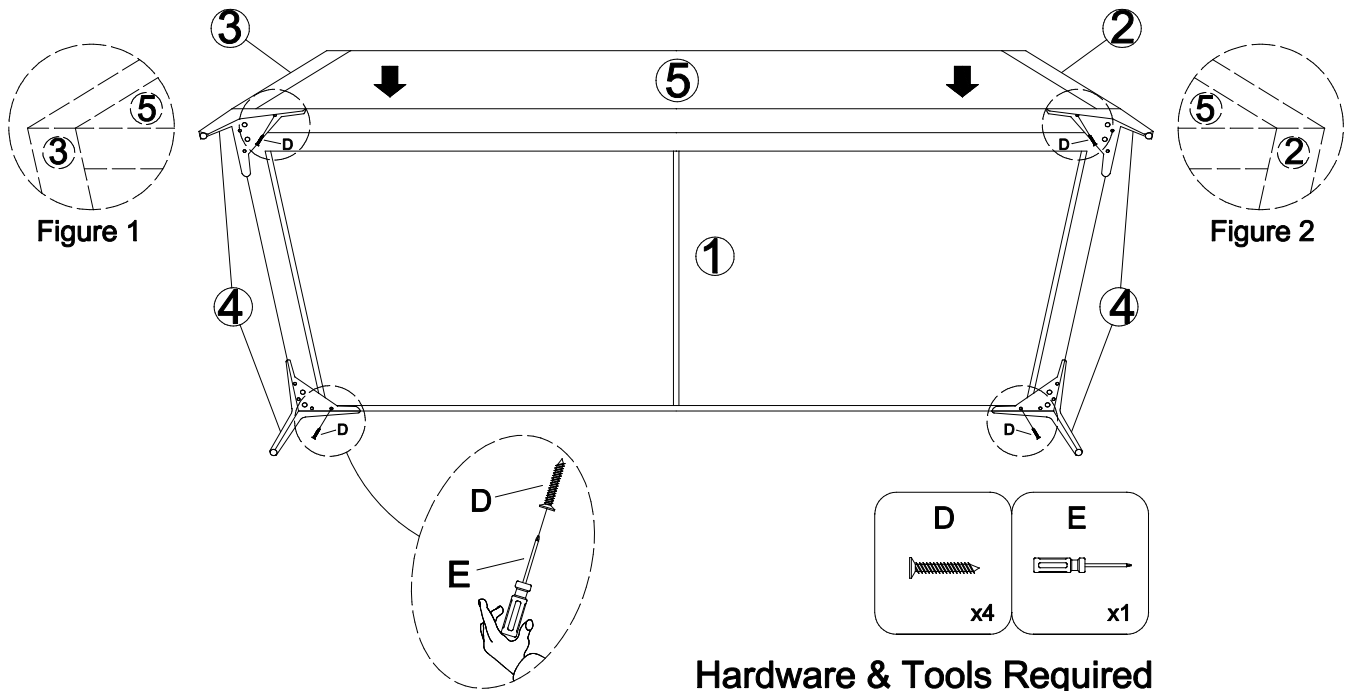
**STEP 4:**

1. Insert **Sofa Back (5)** to **Left Arm (2)** and **Right Arm (3)** by using the pre-installed Clips on **Left Arm (2)**, **Right Arm (3)** and **Sofa Back (5)** to lock each other as shown.
2. Press down **Sofa Back (5)** and make the top of the back of **Left Arm (2)**, **Right Arm (3)** and the top of **Sofa Back (5)** at the same level as shown with Figure 1 & 2.



**STEP 5**

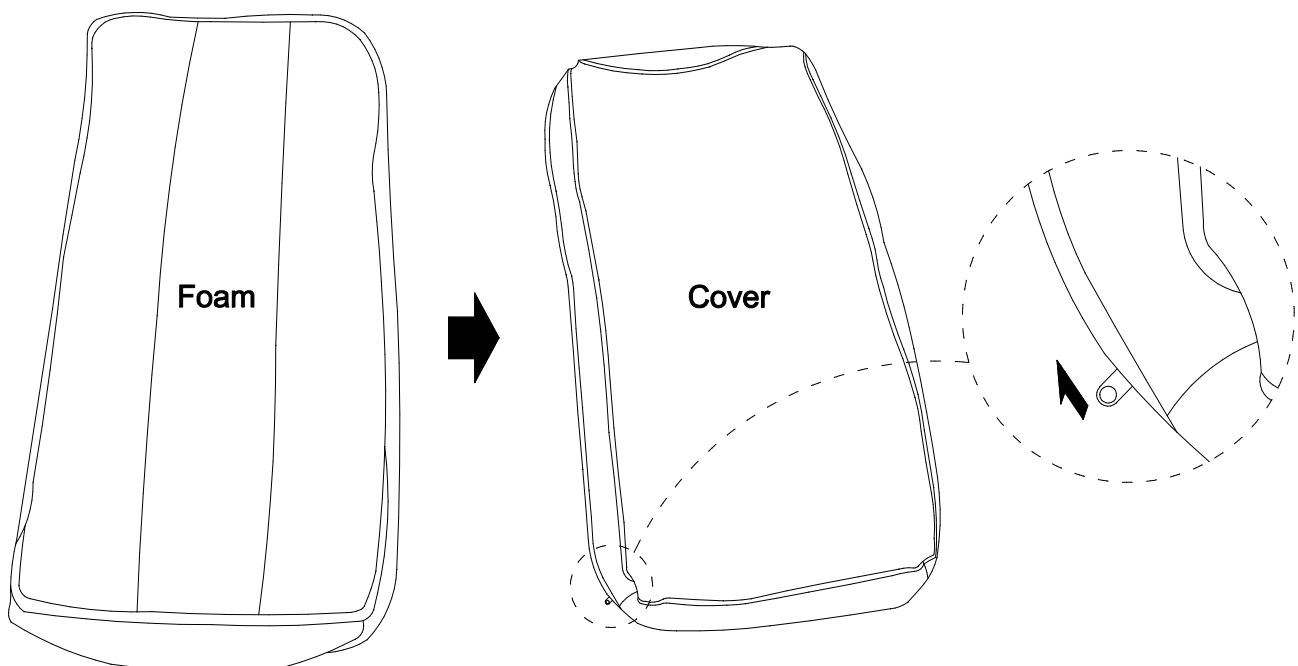
1. Put the assembled **Sofa Seat (1)**, **Left Arm (2)**, **Right Arm (3)** and **Sofa Back (5)** on the side as shown.
2. Press the back bottom of **Sofa Back (5)**, make **Sofa Back (5)** and the bottom of **Left Arm (2)** and **Right Arm (3)** at the same Level as shown with Figure 1 & 2.
3. Use **Screw Driver (E)** to tighten 4 pieces of **Screws (D)** from the pre-drilled holes of the **Legs (4)** into the **Sofa Seat (1)** clockwise as shown.



**STEP 6**

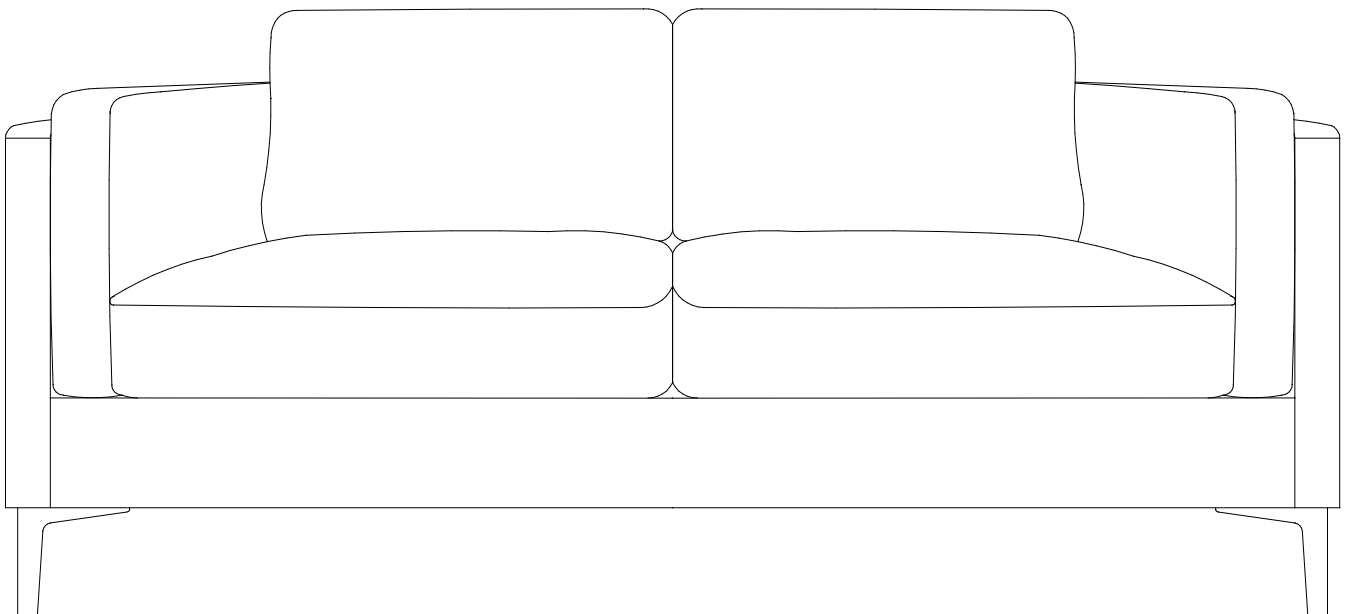
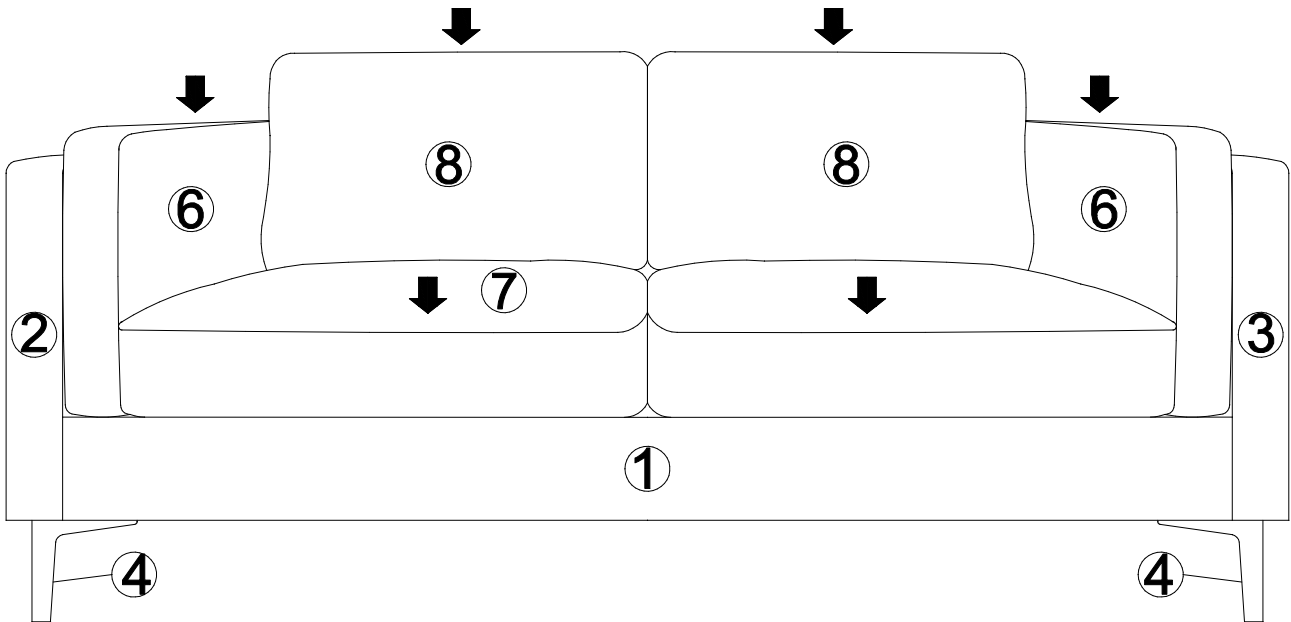
**Noted: Please Skip STEP 6, if you assemble EEI-4453 or EEI-4454 now.**

1. Please put Cover of **Side Cushions (6)** on a carpeted or padded area and fully open the zipper as shown.
2. Insert 1 piece of Foam of **Side Cushion (6)** into Cover of **Side Cushion (6)** until the Foam is fully embedded into the Cover and Zip up the Cover as shown.
3. Repeat the same steps for the remaining 1 piece of Foam and Cover of **Side Cushion (6)**.
4. Repeat the same steps for the **Seat Cushions (7)** and **Back Cushions (8)**.



**STEP 7**

1. Return the assembled **Sofa Seat (1)**, **Left Arm (2)**, **Right Arm (3)** and **Sofa Back (5)** to its normal position.
2. Carefully put 2 pieces of **Side Cushion (6)**, 2 pieces of **Seat Cushion (7)** and 2 pieces of **Back Cushion (8)** to the assembled **Sofa Seat (1)**, **Left Arm (2)**, **Right Arm (3)** and **Sofa Back (5)** as shown.



Assembly is complete. Your sofa is ready to enjoy now